



US00D823492S

(12) **United States Design Patent** (10) **Patent No.:** **US D823,492 S**
Welch et al. (45) **Date of Patent:** **** Jul. 17, 2018**

(54) **LIGHT EMITTING DEVICE**

(71) Applicant: **Cree, Inc.**, Durham, NC (US)

(72) Inventors: **Erin R. F. Welch**, Chapel Hill, NC (US); **Colin Kelly Blakely**, Franklinton, NC (US)

(73) Assignee: **Cree, Inc.**, Durham, NC (US)

(**) Term: **15 Years**

(21) Appl. No.: **29/579,906**

(22) Filed: **Oct. 4, 2016**

(51) **LOC (11) Cl.** **26-04**

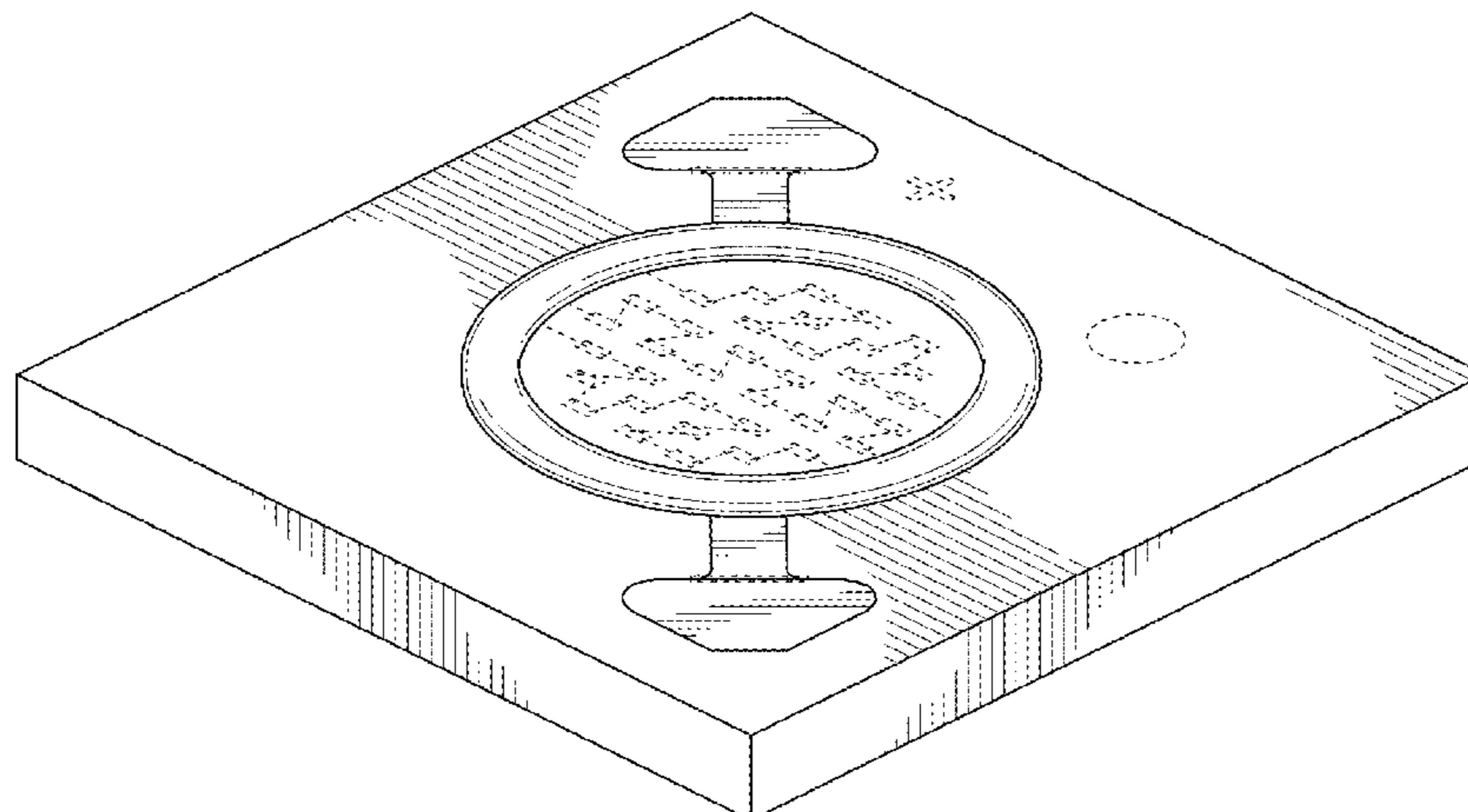
(52) **U.S. Cl.**
USPC **D26/1; D13/180**

(58) **Field of Classification Search**
USPC D13/180; D26/1-4; 313/313, 315, 316, 313/317, 318, 493; 315/52, 53, 56, 57, 315/58
CPC H01R 5/00; H01R 13/46; H01R 13/514; H01R 31/02; H01J 5/00; H01J 5/16; H01J 1/02; H01J 5/48; H01J 5/50; H01J 19/54; F21V 5/00
See application file for complete search history.

D528,996	S *	9/2006	Egawa	D13/180
7,208,838	B2	4/2007	Masuda		
D541,761	S	5/2007	Saito et al.		
7,213,940	B1	5/2007	Van de Ven et al.		
7,224,000	B2	5/2007	Aanegola et al.		
D570,506	S	6/2008	Uemoto et al.		
D570,797	S	6/2008	Song		
7,391,046	B2	6/2008	Tsutsumi et al.		
D573,553	S *	7/2008	Uemoto	D13/180
D573,731	S	7/2008	Uemoto et al.		
7,393,237	B2	7/2008	Kuo		
D576,576	S	9/2008	Shida et al.		
D577,690	S *	9/2008	Shida	D13/180
7,479,660	B2	1/2009	Kobilke		
7,482,636	B2	1/2009	Murayama et al.		
D586,303	S	2/2009	Fuwa et al.		
D589,470	S	3/2009	Chen		
D591,248	S	4/2009	Imai et al.		
D592,615	S	5/2009	Imai et al.		
D593,043	S	5/2009	Song		
D602,451	S	10/2009	Gielen		
D603,813	S	11/2009	Nishimura et al.		
D607,420	S	1/2010	Imai et al.		
7,649,209	B2	1/2010	Hussell et al.		
7,655,957	B2	2/2010	Wang et al.		
D615,051	S	5/2010	Chen et al.		
D615,052	S	5/2010	Imai et al.		
D618,635	S	6/2010	Imai et al.		
D622,876	S *	8/2010	Takahashi	D26/1
7,780,313	B2	8/2010	Lam et al.		
7,804,147	B2	9/2010	Tarsa et al.		
7,812,365	B2	10/2010	Murayama		
D626,666	S	11/2010	Yamamoto et al.		
D627,493	S	11/2010	Yamamoto et al.		
D628,312	S	11/2010	Yamamoto et al.		
D628,318	S	11/2010	Yamamoto et al.		
7,825,578	B2	11/2010	Takashima et al.		
D628,722	S	12/2010	Yamamoto et al.		
D630,171	S	1/2011	Hsieh		
7,872,418	B2	1/2011	Hata et al.		
D636,899	S	4/2011	Shibahara		
D637,564	S	5/2011	Tseng et al.		
7,943,952	B2	5/2011	Loh et al.		
7,955,147	B1	6/2011	Legrady et al.		
D640,997	S	7/2011	Imai et al.		
7,994,518	B2	8/2011	Wang et al.		
D645,417	S	9/2011	Imai et al.		
8,022,626	B2	9/2011	Hamby et al.		
8,044,418	B2	10/2011	Loh et al.		
8,058,088	B2	11/2011	Cannon		
D650,760	S	12/2011	Hussell et al.		
8,119,534	B2	2/2012	Tanaka et al.		
D658,601	S	5/2012	Egawa et al.		

(56) **References Cited**
U.S. PATENT DOCUMENTS

4,855,194	A	8/1989	Wright
4,946,547	A	8/1990	Palmour et al.
5,200,022	A	4/1993	Kong et al.
5,210,051	A	5/1993	Carter, Jr.
RE34,861	E	2/1995	Davis et al.
5,393,993	A	2/1995	Edmond et al.
5,523,589	A	6/1996	Edmond et al.
6,093,053	A	7/2000	Horioka et al.
6,224,430	B1	5/2001	Kusuda et al.
6,503,780	B1	1/2003	Glenn et al.
6,548,832	B1	4/2003	Sakamoto et al.
6,909,051	B2	6/2005	Noble
7,034,778	B1	4/2006	Hahl
7,055,987	B2	6/2006	Staufert
D528,672	S	9/2006	Nagai et al.



US D823,492 S

Page 3

CN	101876406	11/2010
CN	102044602	5/2011
CN	ZL201130139847.5	8/2012
CN	ZL201130166527.9	8/2012
CN	ZL201230099913.5	11/2012
CN	ZL201230099954.4	12/2012
CN	ZL201230099981.1	12/2012
CN	ZL 201230472866.4	5/2013
CN	ZL201230130915.6	10/2013
CN	ZL201230652790.3	10/2013
CN	ZL201230652840.8	11/2013
CN	ZL201230655789.0	11/2013
CN	ZL201330361367.2	1/2014
CN	104081112	10/2014
CN	ZL 2012800661747	3/2016
CN	103329290 B	9/2017
EP	1640792	3/2006
EP	1 670 073	6/2006
EP	2 302 283	3/2011
EP	2 302 286	3/2011
EP	2327930	6/2011
EP	2 560 219 A1	2/2013
EP	2 643 861	10/2013
EP	2 643 862	10/2013
EP	2751471	7/2014
FR	2 921 537	9/2007
JP	06-291236	10/1994
JP	07-038940	9/1995
JP	10-311937	11/1998
JP	2001-131517	5/2001
JP	2001-294083	10/2001
JP	2003-192442	7/2003
JP	2003-303504	10/2003
JP	2004-228413	8/2004
JP	2004-311948 A	11/2004
JP	2005-183148	7/2005
JP	2005-266117	9/2005
JP	2005-276979	10/2005
JP	2006/066786	3/2006
JP	2006-294898	10/2006
JP	2007-227680	9/2007
JP	2007-266357	10/2007
JP	2007-323857	12/2007
JP	2007-335371	12/2007
JP	2008-244075	10/2008
JP	2009-503888	1/2009
JP	2009-044055	2/2009
JP	2009-289918	12/2009
JP	2010-009972	1/2010
JP	2010103541	5/2010
JP	2010-147189	7/2010
JP	2010-199167 A	9/2010
JP	2010192109 A	9/2010
JP	2011-108744	6/2011
JP	2011-228369	11/2011
JP	2012-503331	2/2012
JP	2012-079855	4/2012
JP	2012-089551 A	5/2012
JP	1461828	2/2013
JP	1476166	7/2013
JP	1476175	7/2013
JP	1493219	2/2014
JP	5937696	6/2016
KR	30-0378382	4/2005
KR	10-0505838	10/2005
KR	30-0442391	3/2007
KR	10-0793338	1/2008
KR	10-2008-0033496	4/2008
KR	20-2008-0002564 U	7/2008
KR	10-2008-0092239	10/2008
KR	10-2009-0011121	2/2009
KR	10-2010-0111255	10/2010
KR	10-2011-0004632	1/2011
KR	10-2011-0021639	3/2011
KR	20-2011-0008161 U	8/2011
KR	10-2011-0104336	9/2011
KR	DES 30-0753131	7/2014
KR	DES 30-0753132	7/2014
TW	540169	7/2003

TW	113260	10/2006
TW	124444	8/2008
TW	D125589	10/2008
TW	128526	5/2009
TW	201029146	8/2010
TW	D141645	7/2011
TW	D144159	12/2011
TW	D145644	3/2012
TW	D156539	10/2013
TW	D159325	3/2014
TW	D159326	3/2014
TW	D159849	4/2014
TW	D159850	4/2014
TW	D159851	4/2014
TW	D160508	5/2014
TW	D160509	5/2014
TW	D160580	5/2014
TW	D160581	5/2014
TW	D160850	6/2014
TW	I481072	4/2015
TW	I502772	10/2015
WO	WO 2008/069204	6/2008
WO	WO 2009/133615	11/2009
WO	WO 2009/141982	11/2009
WO	WO 2011/129203	10/2011
WO	WO 2012/029360	3/2012
WO	WO 2012/071136	5/2012
WO	WO 2012/071138	5/2012
WO	WO 2012/071139	5/2012
WO	WO 2012-109225 A1	8/2012
WO	WO 2013/032737	3/2013
WO	WO 2013/070696	5/2013
WO	WO 2013/096431	6/2013
WO	WO 2013/122831	8/2013
WO	WO 2013/148573	10/2013
WO	WO 2014/093813 A1	6/2014

OTHER PUBLICATIONS

“DuPont Ti-Pure titanium dioxide, Titanium Dioxide for Coatings,” Jan. 2012, pp. 1-28, DuPont,USA.

“Technical Guide, Reflectance Materials and Coatings,” Jan. 2012, pp. 1-26, Labsphere,USA.

“Thick-Film Ceramic Substrates Design Guide,” Mar. 2012, pp. 1-16, CoorsTek, Colorado,USA.

Non-Final Office Action for U.S. Appl. No. 13/435,912 dated Jan. 11, 2013.

Notice of Allowance for U.S. Appl. No. 13/435,912 dated Jun. 19, 2013.

International Search Report and Written Opinion for Application No. PCT/US2013/033704 dated Jun. 26, 2013.

Restriction Requirement for U.S. Appl. No. 13/436,247 dated Aug. 1, 2013.

Non-Final Office Action for U.S. Appl. No. 13/436,247 dated Nov. 7, 2013.

International Search Report and Written Opinion for Application No. PCT/US2013/074998 dated Apr. 3, 2014.

Restriction Requirement for U.S. Appl. No. 13/836,940 dated Jun. 17, 2014.

Notice of Allowance for U.S. Appl. No. 13/436,247 dated Jun. 18, 2014.

Non-Final Office Action for U.S. Appl. No. 13/836,709 dated Sep. 30, 2014.

Non-Final Office Action for U.S. Appl. No. 13/836,940 dated Oct. 7, 2014.

Restriction Requirement for U.S. Appl. No. 29/452,692 dated Dec. 4, 2014.

Final Office Action for U.S. Appl. No. 13/836,940 dated Apr. 17, 2015.

Bridgelux Product Data Sheet—1 page.

Citizen Co. Product Data Sheet—4 pages http://ce.citizen.co.jp/lighting_led/en/products/index.html.

U.S. Appl. No. 29/379,636 for “Light Emitting Device Package” filed Nov. 22, 2010.

Design U.S. Appl. No. 29/380,387 for "Light Emitting Device Package" filed Dec. 3, 2010.

U.S. Appl. No. 13/028,972 for "Light Emitting Devices and Methods" filed Feb. 16, 2011.

U.S. Appl. No. 13/104,558 for "Light Emitting Devices and Methods" filed May 10, 2011.

Notice of Allowance for U.S. Appl. No. 29/379,636 dated Aug. 4, 2011.

Design U.S. Appl. No. 29/404,913 for "Light Emitting Device Component" filed Oct. 26, 2011.

U.S. Appl. No. 13/224,850 for "Light Emitting Device Component" filed Sep. 2, 2011.

Design U.S. Appl. No. 29/379,636 for "Light Emitting Device Package" filed Nov. 22, 2011.

Design U.S. Appl. No. 29/408,955 for "Light Emitting Device Package" filed Dec. 19, 2011.

U.S. Appl. No. 13/336,540 dated Dec. 23, 2011.

Notification of Granting Patent Right for Design for Application Serial No. CN 2011/30166527.9 dated Apr. 6, 2012.

Non-Final Office Action for U.S. Appl. No. 29/380,387 dated Apr. 25, 2012.

Notification of Granting Patent Right for Design for Application Serial No. CN 2011/30139847.5 dated Apr. 26, 2012.

Notice of Allowance for U.S. Appl. No. 29/408,955 dated May 7, 2012.

Notice of Allowance for U.S. Appl. No. 29/407,084 dated May 18, 2012.

International Search Report and Written Opinion for Application Serial No. PCT/US2011/058603 dated May 23, 2012.

International Search Report and Written Opinion for Application Serial No. PCT/US2011/058601 dated May 24, 2012.

International Search Report and Written Opinion for Application Serial No. PCT/US2011/058596 dated Jun. 18, 2012.

Chinese Office Action for Application Serial No. CN 2012/30130915.6 dated Jul. 12, 2012.

Office Action/Restriction Requirement for U.S. Appl. No. 13/028,972 dated Jul. 25, 2012.

Notification of Grant for Chinese Patent Application No. 2012/30099913.5 dated Aug. 7, 2012.

Notification of Grant for Chinese Patent Application No. 2012/30099981.1 dated Aug. 17, 2012.

Notification of Grant for Chinese Patent Application No. 2012/30099954.4 dated Aug. 17, 2012.

Notice of Allowance for U.S. Appl. No. 29/407,084 dated Aug. 21, 2012.

Notice of Allowance for U.S. Appl. No. 29/380,387 dated Sep. 18, 2012.

Notice of Allowance for U.S. Appl. No. 29/408,955 dated Oct. 4, 2012.

Non-Final Office Action for U.S. Appl. No. 13/028,972 dated Oct. 10, 2012.

Chinese Office Action for Application No. CN 2012/30130915.6 dated Oct. 24, 2012.

Chinese Office Action for Application No. 201230472866.4 dated Nov. 14, 2012.

Non-Final Office Action for U.S. Appl. No. 13/104,558 dated Jan. 3, 2013.

Taiwanese Search Report for Application No. 101302309 dated Jan. 14, 2013.

Taiwanese Office Action for Application No. 101302309 dated Jan. 23, 2013.

Chinese Decision to Grant for Application No. 201230472866.4 dated Jan. 24, 2013.

Notice of Allowance for U.S. Appl. No. 13/336,540 dated Jan. 31, 2013.

Restriction Requirement for U.S. Appl. No. 13/671,089 dated Feb. 7, 2013.

Restriction Requirement for U.S. Appl. No. 29/404,913 dated Feb. 15, 2013.

Japanese Office Action for Application No. 2012-023963 dated Feb. 26, 2013.

Japanese Office Action for Application No. 2012-026117 dated Feb. 26, 2013.

Chinese Office Action for Application No. CN 2012/30130915.6 dated Feb. 27, 2013.

Notice of Allowance for Application No. 13/028,972 dated Feb. 28, 2013.

International Search Report and Written Opinion for Application No. PCT/US2012/051344 dated Feb. 28, 2013.

International Search Report and Written Opinion for Application No. PCT/US2012/063861 dated Mar. 18, 2013.

Non-Final Office Action for U.S. Appl. No. 13/671,089 dated Mar. 29, 2013.

Taiwanese Search Report for Application No. 102300059 dated Apr. 17, 2013.

International Search Report and Written Opinion for Application No. PCT/US2012/070589 dated Apr. 22, 2013.

Taiwanese Search Report for Application No. 102300058 dated Apr. 29, 2013.

International Search Report and Written Opinion for Application No. PCT/US2013/025307 dated May 15, 2013.

Notice of Allowance for U.S. Appl. No. 13/028,972 dated May 23, 2013.

Japanese Office Action for Application No. 2012-031549 dated Jun. 4, 2013.

Japanese Decision of Registration for Application No. 2012-023963 dated Jun. 4, 2013.

Japanese Decision of Registration for Application No. 2012-026117 dated Jun. 4, 2013.

Taiwanese Notice of Allowance for Application No. 101302309 dated Jun. 5, 2013.

Notice of Allowance for Application No. 29/404,913 dated Jun. 25, 2013.

Chinese Notice of Grant for Application No. 201230652790.3 dated Jun. 26, 2013.

Notice of Allowance for U.S. Appl. No. 13/104,558 dated Jul. 1, 2013.

Chinese Notice of Grant for Application No. 201230130915.6 dated Jul. 3, 2013.

Taiwanese Search Report for Application No. 102301394 dated Jul. 9, 2013.

Taiwanese Search Report for Application No. 102301395 dated Jul. 9, 2013.

Taiwanese Office Action for Application No. 102301394 dated Jul. 15, 2013.

Taiwanese Office Action for Application No. 102301395 dated Jul. 15, 2013.

Chinese Decision to Grant for Application No. 201230652789 dated Jul. 17, 2013.

Chinese Notice of Grant for Application No. 201230652840.3 dated Jul. 26, 2013.

Ex Parte Quayle Action for U.S. Appl. No. 13/671,089 dated Aug. 13, 2013.

Korean Office Action for Application No. 30-2012-0020196 dated Aug. 13, 2013.

Korean Office Action for Application No. 30-2012-0020197 dated Aug. 13, 2013.

Korean Office Action for Application No. 30-2012-0020198 dated Aug. 13, 2013.

Taiwanese Office Action for Application No. 102300058 dated Aug. 23, 2013.

Notice of Allowance for Application No. 13/104,558 dated Aug. 28, 2013.

Non-Final Office Action for Application No. 13/224,850 dated Sep. 5, 2013.

Taiwanese Office Action for Application No. 102301581 dated Sep. 6, 2013.

Taiwanese Office Action for Application No. 102301582 dated Sep. 6, 2013.

Taiwanese Office Action for Application No. 102301583 dated Sep. 6, 2013.

Taiwanese Office Action for Application No. 102301584 dated Sep. 6, 2013.

Taiwanese Office Action for Application No. 102301585 dated Sep. 6, 2013.

Restriction Requirement for U.S. Appl. No. 13/793,882 dated Sep. 20, 2013.

Restriction Requirement for U.S. Appl. No. 29/417,220 dated Sep. 27, 2013.

Restriction Requirement for U.S. Appl. No. 29/451,177 dated Sep. 27, 2013.

Restriction Requirement for U.S. Appl. No. 29/425,831 dated Sep. 30, 2013.

Taiwanese Office Action for Application No. 102300059 dated Oct. 1, 2013.

Chinese Notice to Grant for Application No. 201330361367.2 dated Oct. 8, 2013.

Notice of Allowance for U.S. Appl. No. 13/671,089 dated Oct. 22, 2013.

Restriction Requirement for U.S. Appl. No. 29/412,166 dated Oct. 25, 2013.

Restriction Requirement for U.S. Appl. No. 29/412,168 dated Oct. 25, 2013.

Japanese Office Action for Application No. 2012-031548 dated Nov. 5, 2013.

Japanese Office Action for Application No. 2012-031549 dated Nov. 5, 2013.

Taiwanese Notice of Allowance for Application No. 102301394 dated Nov. 8, 2013.

Taiwanese Notice of Allowance for Application No. 102301395 dated Nov. 8, 2013.

Non-Final Office Action for U.S. Appl. No. 13/793,882 dated Nov. 15, 2013.

Restriction Requirement for U.S. Appl. No. 13/282,172 dated Nov. 26, 2013.

Notice of Allowance for U.S. Appl. No. 29/404,913 dated Nov. 27, 2013.

Taiwanese Notice of Allowance for Application No. 102301583 dated Dec. 17, 2013.

Taiwanese Notice of Allowance for Application No. 102301581 dated Dec. 17, 2013.

Taiwanese Notice of Allowance for Application No. 102301585 dated Dec. 17, 2013.

Notice of Allowance for U.S. Appl. No. 29/412,168 dated Dec. 20, 2013.

Non-Final Office Action for U.S. Appl. No. 29/425,831 dated Dec. 24, 2013.

Notice of Allowance for U.S. Appl. No. 29/412,166 dated Dec. 24, 2013.

Non-Final Office Action for U.S. Appl. No. 29/451,177 dated Dec. 30, 2013.

Notice of Allowance for U.S. Appl. No. 29/417,220 dated Jan. 10, 2014.

Taiwanese Notice of Allowance for Application No. 102301582 dated Jan. 13, 2014.

Taiwanese Notice of Allowance for Application No. 102301584 dated Jan. 13, 2014.

Japanese Decision of Registration for Application No. 2013-018279 dated Jan. 15, 2014.

Taiwanese Notice of Allowance for Application No. 102300058 dated Jan. 17, 2014.

Taiwanese Notice of Allowance for Application No. 102300059 dated Jan. 17, 2014.

Korean Notice of Rejection for Application No. KR 30-2012-0020198 dated Jan. 14, 2014.

Taiwanese Notice of Allowance for Application No. 101307667 dated Feb. 7, 2014.

Supplemental Notice of Allowance for U.S. Appl. No. 29/404,913 dated Feb. 20, 2014.

Notice of Allowance for U.S. Appl. No. 13/793,882 dated Mar. 12, 2014.

Restriction Requirement for U.S. Appl. No. 14/043,494 dated Mar. 20, 2014.

Restriction Requirement for U.S. Appl. No. 13/908,597 dated Mar. 20, 2014.

Restriction Requirement for U.S. Appl. No. 14/052,201 dated Mar. 20, 2014.

Non-Final Office Action for U.S. Appl. No. 13/282,172 dated Mar. 21, 2014.

U.S. Appl. No. 11/656,759, filed Jan. 22, 2007.

U.S. Appl. No. 11/899,790, filed Sep. 7, 2007.

U.S. Appl. No. 12/014,404, filed Jan. 15, 2008.

U.S. Appl. No. 12/717,048, filed Mar. 3, 2010.

U.S. Appl. No. 11/473,089, filed Jun. 21, 2006.

Taiwanese Office Action for Application No. 100141888 dated Mar. 11, 2014.

Notice of Allowance for U.S. Appl. No. 29/451,177 dated Apr. 25, 2014.

Restriction Requirement for U.S. Appl. No. 14/148,102 dated Apr. 24, 2014.

Notice of Publication for U.S. Appl. No. 14/043,494 dated Apr. 10, 2014.

Notice of Publication for U.S. Appl. No. 14/052,201 dated Apr. 10, 2014.

Korean Notice of Allowance for Application No. 30-2012-0020196 dated Apr. 21, 2014.

Korean Notice of Allowance for Application No. 30-2012-0020197 dated Apr. 21, 2014.

Final Office Action for U.S. Appl. No. 13/224,850 dated May 30, 2014.

Online definition of the term "non-linear", <http://thefreedictionary.com/nonlinear>, accessed on May 17, 2014.

Final Office Action for U.S. Appl. No. 29/425,831 dated Jun. 10, 2014.

Korean Office Action for Application No. 10-2013-7015669 dated Jun. 3, 2014.

European Notice of Publication for Application No. 12827778.7 dated Jun. 12, 2014.

Restriction Requirement for U.S. Appl. No. 13/836,709 dated Jun. 19, 2014.

Non-Final Office Action for U.S. Appl. No. 14/052,201 dated Jun. 19, 2014.

Non-Final Office Action for U.S. Appl. No. 14/043,494 dated Jun. 20, 2014.

Non-Final Office Action for U.S. Appl. No. 14/148,102 dated Jun. 20, 2014.

Restriction Requirement for U.S. Appl. No. 14/168,561 dated Jul. 1, 2014.

Korean Certificate of Design Patent for Application No. 2012-0020196 dated Jul. 14, 2014.

Korean Certificate of Design Patent for Application No. 2012-0020197 dated Jul. 14, 2014.

Non-Final Office Action for U.S. Appl. No. 14/189,500 dated Jul. 15, 2014.

Korean Trial Decision for Application No. 30-2012-0020198 dated Jul. 29, 2014.

Taiwanese Office Action for Application No. 100141889 dated Aug. 6, 2014.

Notice of Allowance for U.S. Appl. No. 13/908,597 dated Aug. 20, 2014.

European Patent Office Communication pursuant to Rule 114(2) EPC for Application No. 2011-0843773 dated Aug. 20, 2014.

Japanese Office Action for Application No. 2012031548 dated Sep. 1, 2014.

Japanese Office Action for Application No. 2012031549 dated Sep. 1, 2014.

Notice of Allowance for U.S. Appl. No. 29/425,831 dated Sep. 4, 2014.

Final Office Action for U.S. Appl. No. 13/282,172 dated Sep. 17, 2014.

European Patent Office Communication pursuant to Rule 114(2) EPC for Application No. 20110843026 dated Sep. 24, 2014.

Taiwanese Office Action for Application No. 100141887 dated Sep. 11, 2014.

Korean Decision of Rejection for Application No. 10-2013-7015669 dated Nov. 6, 2014.

Non-Final Office Action for U.S. Appl. No. 14/148,102 dated Dec. 5, 2014.

Taiwanese Notice of Allowance for Application No. 100141889 dated Dec. 8, 2014.

Notice of Allowance for U.S. Appl. No. 14/043,494 dated Dec. 10, 2014.
 Non-Final Office Action for U.S. Appl. No. 13/296,812 dated Oct. 30, 2014.
 Notice of Allowance for U.S. Appl. No. 14/052,201 dated Nov. 28, 2014.
 Notice of Allowance for U.S. Appl. No. 14/168,561 dated Nov. 28, 2014.
 Non-Final Office Action for U.S. Appl. No. 13/224,850 dated Dec. 18, 2014.
 Japanese Office Action for Application No. 2013-540955 dated Jan. 20, 2015.
 Notice of Allowance for U.S. Appl. No. 14/189,500 dated Jan. 23, 2015.
 Korean Decision to Decline Amendment and Decision of Rejection for Application No. 10-2013-7015669 dated Dec. 26, 2014.
 Restriction Requirement for U.S. Appl. No. 29/459,233 dated Feb. 23, 2015.
 Restriction Requirement for U.S. Appl. No. 29/459,231 dated Feb. 13, 2015.
 Notice of Allowance for U.S. Appl. No. 29/487,954 dated Mar. 30, 2015.
 Notice of Allowance for U.S. Appl. No. 14/043,494 dated Apr. 17, 2015.
 European Search Report for Application No. 11 84 3026 dated Apr. 17, 2015.
 Notice of Allowance for U.S. Appl. No. 14/148,102 dated Apr. 22, 2015.
 Supplementary European Search Report for Application No. 11 84 3026 dated Apr. 28, 2015.
 Non-Final Office Action for U.S. Appl. No. 13/282,172 dated May 11, 2015.
 Notice of Allowance for U.S. Appl. No. 29/459,231 dated May 11, 2015.
 Notice of Allowance for U.S. Appl. No. 14/189,500 dated May 14, 2015.
 Notice of Allowance for U.S. Appl. No. 29/459,233 dated May 21, 2015.
 Japanese Office Action for Application No. 2014-548830 dated May 19, 2015.
 Supplemental Notice of Allowability for U.S. Appl. No. 14/043,494 dated May 28, 2015.
 Japanese Office Action for Application No. 2012-031549 dated May 25, 2015.
 Taiwanese Notice of Allowance for Application No. 100141887 dated May 28, 2015.
 Chinese Office Action for Application No. 201180065495.0 dated May 29, 2015.
 Non-Final Office Action for U.S. Appl. No. 13/800,284 dated Jun. 4, 2015.
 Extended European Search Report for Application No. 12849022.4 dated Jun. 16, 2015.
 Supplementary European Search Report for Application No. 12827778.7 dated Jun. 11, 2015.
 Appeal Decision for Japanese Design Application No. 2012-031548 dated Jun. 17, 2015.
 Non-Final Office Action for U.S. Appl. No. 14/673,263 dated Jun. 30, 2015.
 Final Office Action for U.S. Appl. No. 13/296,812 dated Apr. 23, 2015.
 Japanese Office Action for Application No. 2013/540955 dated Jul. 7, 2015.
 Chinese Office Action for Application No. 201280066174.7 dated Jun. 3, 2015.
 Notice of Allowance for U.S. Appl. No. 14/189,500 dated Jul. 17, 2015.
 Final Office Action for U.S. Appl. No. 13/224,850 dated Jul. 22, 2015.
 Chinese Office Action for Application No. 201180061776.9 dated Jun. 10, 2015.
 Taiwanese Office Action for Application No. 101149281 dated Jun. 12, 2015.

Notice of Allowance for U.S. Appl. No. 14/043,494 dated Jul. 30, 2015.
 Notice of Allowance for U.S. Appl. No. 14/148,102 dated Jul. 31, 2015.
 Chinese Office Action for Application No. 201180065708.X dated Jun. 23, 2015.
 Supplemental Notice of Allowance for U.S. Appl. No. 29/459,233 dated Aug. 13, 2015.
 Final Office Action for U.S. Appl. No. 13/800,284 dated Oct. 22, 2015.
 Advisory Action for U.S. Appl. No. 13/224,850 dated Nov. 9, 2015.
 Korean Office Action for Application No. 10-2014-7014959 dated Nov. 9, 2015.
 Japanese Office Action for Application No. 2014-548830 dated Nov. 10, 2015.
 Notice of Allowance for U.S. Appl. No. 13/282,172 dated Nov. 16, 2015.
 Notice of Issuance for Chinese Application No. 201280066174.7 dated Dec. 11, 2015.
 Japanese Office Action for Application No. 2013-540955 dated Dec. 15, 2015.
 Notice of Allowance for U.S. Appl. No. 13/282,172 dated Dec. 23, 2015.
 Advisory Action for U.S. Appl. No. 13/800,284 dated Jan. 4, 2016.
 Chinese Office Action for Application No. 201180065495.0 dated Jan. 14, 2016.
 Non-Final Office Action for U.S. Appl. No. 13/224,850 dated Feb. 8, 2016.
 Restriction Requirement for U.S. Appl. No. 14/679,948 dated Feb. 24, 2016.
 Japanese Appeal Decision for Application No. 2014-24357 dated Feb. 25, 2016.
 Chinese Office Action for Application No. 201180061776.9 dated Feb. 22, 2016.
 Japanese Decision to Grant for Application No. JP 2014-548830 dated Apr. 19, 2016.
 Japanese Office Action for Application No. JP 2013-540955 dated Apr. 26, 2016.
 Chinese Office Action for Application No. 201380009124.X dated Apr. 6, 2016.
 Chinese Notice of Grant for Chinese Application No. 201180065495 dated Jun. 29, 2017.

* cited by examiner

Primary Examiner — Marcus Jackson
 (74) *Attorney, Agent, or Firm* — Jenkins, Wilson, Taylor & Hunt, P.A.

(57) **CLAIM**

The ornamental design for a light emitting device, as shown and described.

DESCRIPTION

FIG. 1 is a perspective view of a light emitting device showing the design;
 FIG. 2 is a top view thereof;
 FIG. 3 is a bottom view thereof;
 FIG. 4 is a side view thereof, the opposing and adjacent sides being identical images of that shown;
 FIG. 5 is a perspective view of a second embodiment of a light emitting device showing the design;
 FIG. 6 is a top view thereof;
 FIG. 7 is a bottom view thereof;
 FIG. 8 is a side view thereof, the opposing and adjacent sides being identical images of that shown;
 FIG. 9 is a perspective view of a third embodiment of a light emitting device showing the design;

FIG. 10 is a top view thereof;
FIG. 11 is a bottom view thereof;
FIG. 12 is a side view thereof, the opposing and adjacent sides being identical images of that shown;
FIG. 13 is a perspective view of a fifth embodiment of a light emitting device showing the design;
FIG. 14 is a top view thereof;
FIG. 15 is a bottom view thereof;
FIG. 16 is a side view thereof, the opposing and adjacent sides being identical images of that shown;
FIG. 17 is a perspective view of a fifth embodiment of a light emitting device showing the design, wherein the traces are metal as indicated by the metal shading;
FIG. 18 is a top view thereof;
FIG. 19 is a bottom view thereof;
FIG. 20 is a side view thereof, the opposing and adjacent sides being identical images of that shown; and
FIG. 21 is a perspective view of a sixth embodiment of a light emitting device showing the design, wherein the traces are metal as indicated by the metal shading;
FIG. 22 is a top view thereof;
FIG. 23 is a bottom view thereof;
FIG. 24 is a side view thereof, the opposing and adjacent sides being identical images of that shown;
FIG. 25 is a perspective view of a seventh embodiment of a light emitting device showing the design, wherein the traces are metal as indicated by the metal shading;
FIG. 26 is a top view thereof;

FIG. 27 is a bottom view thereof;
FIG. 28 is a side view thereof, the opposing and adjacent sides being identical images of that shown;
FIG. 29 is a perspective view of an eighth embodiment of a light emitting device showing the design, wherein the traces are metal as indicated by the metal shading;
FIG. 30 is a top view thereof;
FIG. 31 is a bottom view thereof;
FIG. 32 is a side view thereof, the opposing and adjacent sides being identical images of that shown;
FIG. 33 is a perspective view of a ninth embodiment of a light emitting device showing the design, wherein the hatched circular area is white and the traces are metal as indicated by the metal shading;
FIG. 34 is a top view thereof;
FIG. 35 is a bottom view thereof;
FIG. 36 is a side view thereof, the opposing and adjacent sides being identical images of that shown.
FIG. 37 is a perspective view of a tenth embodiment of a light emitting device showing the design;
FIG. 38 is a top view thereof;
FIG. 39 is a bottom view thereof; and,
FIG. 40 is a side view thereof, the opposing and adjacent sides being identical images of that shown.
The dashed broken lines are for illustrative purpose only and form no part of the claimed design.

1 Claim, 40 Drawing Sheets

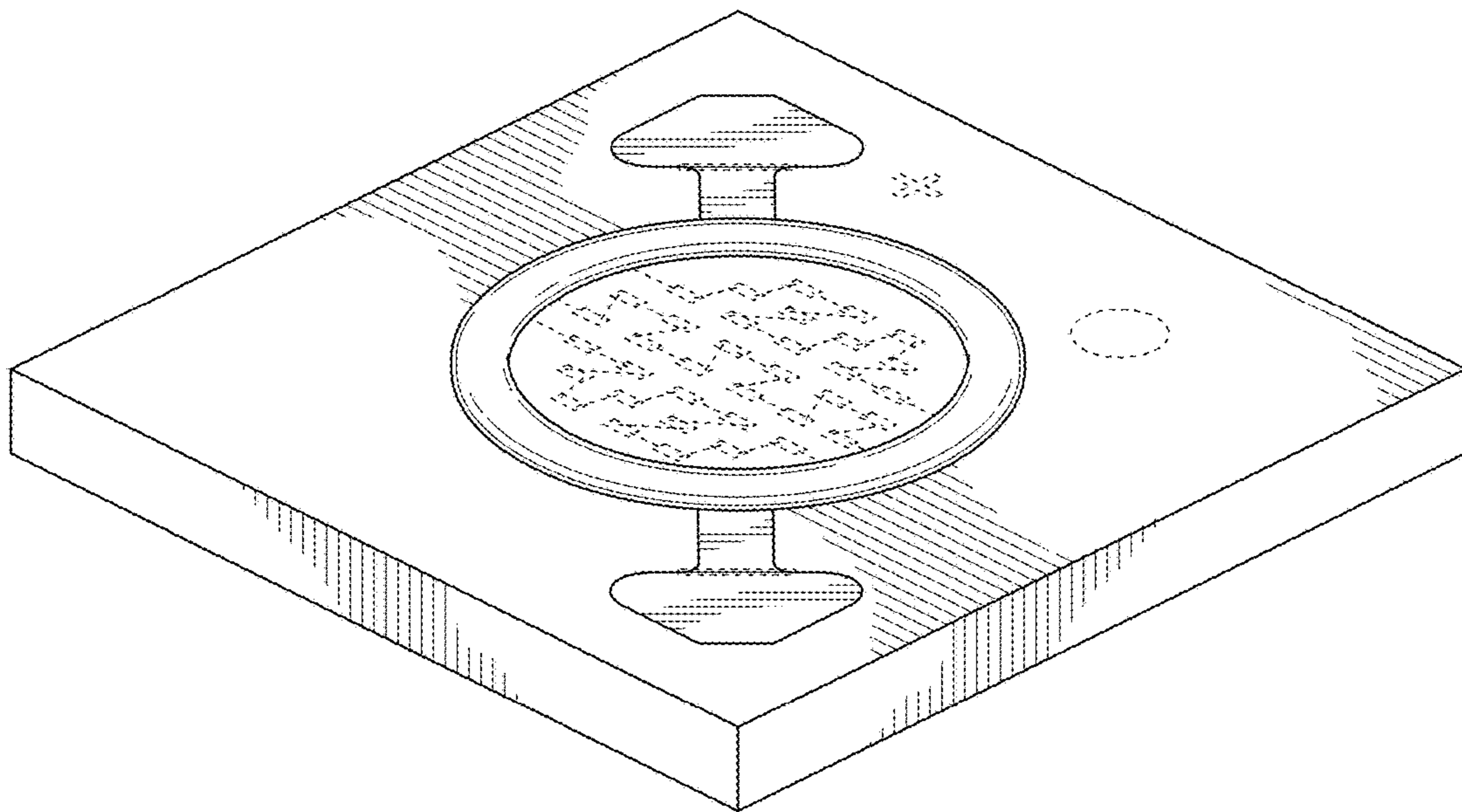


FIG. 1

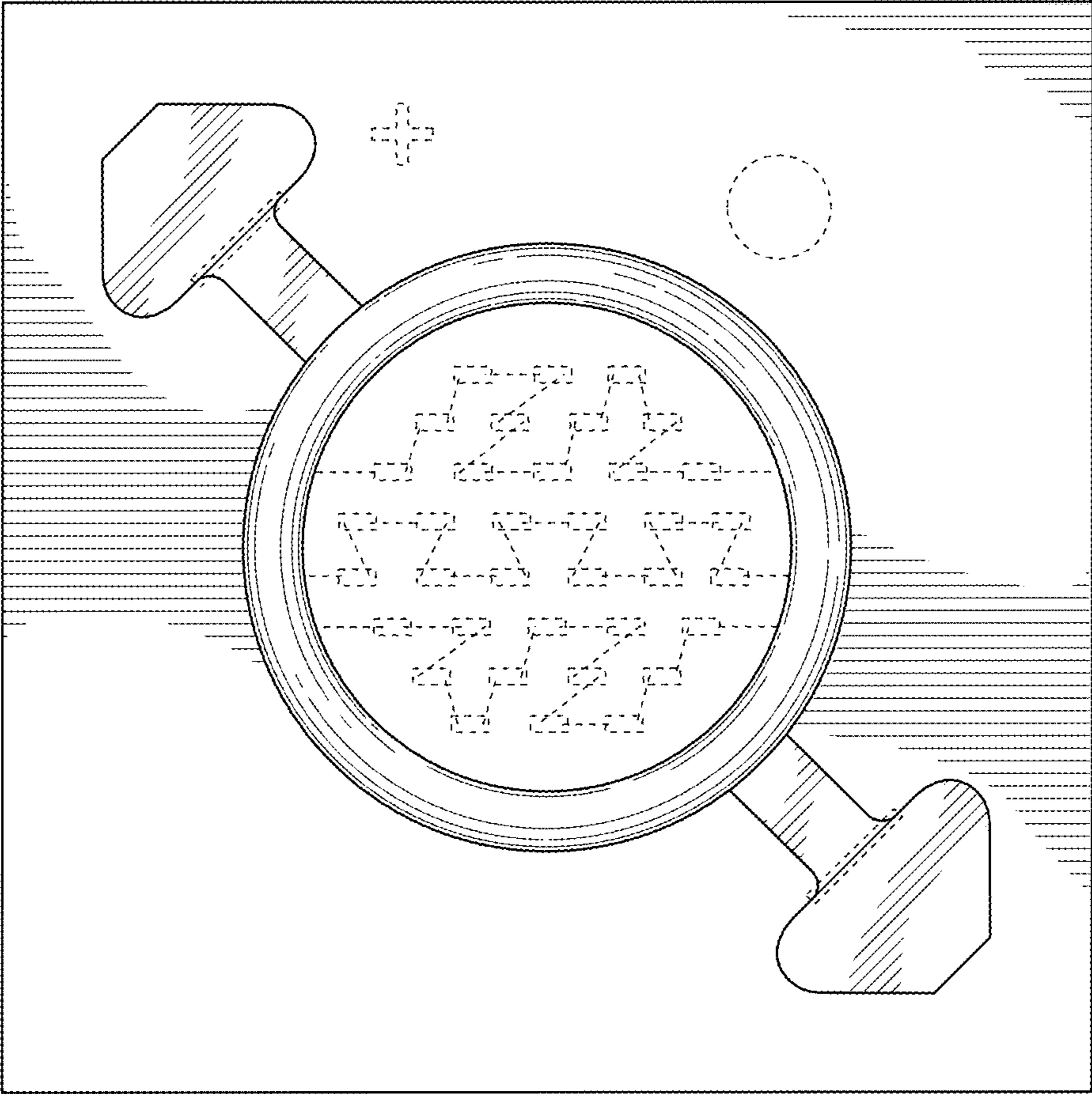


FIG. 2

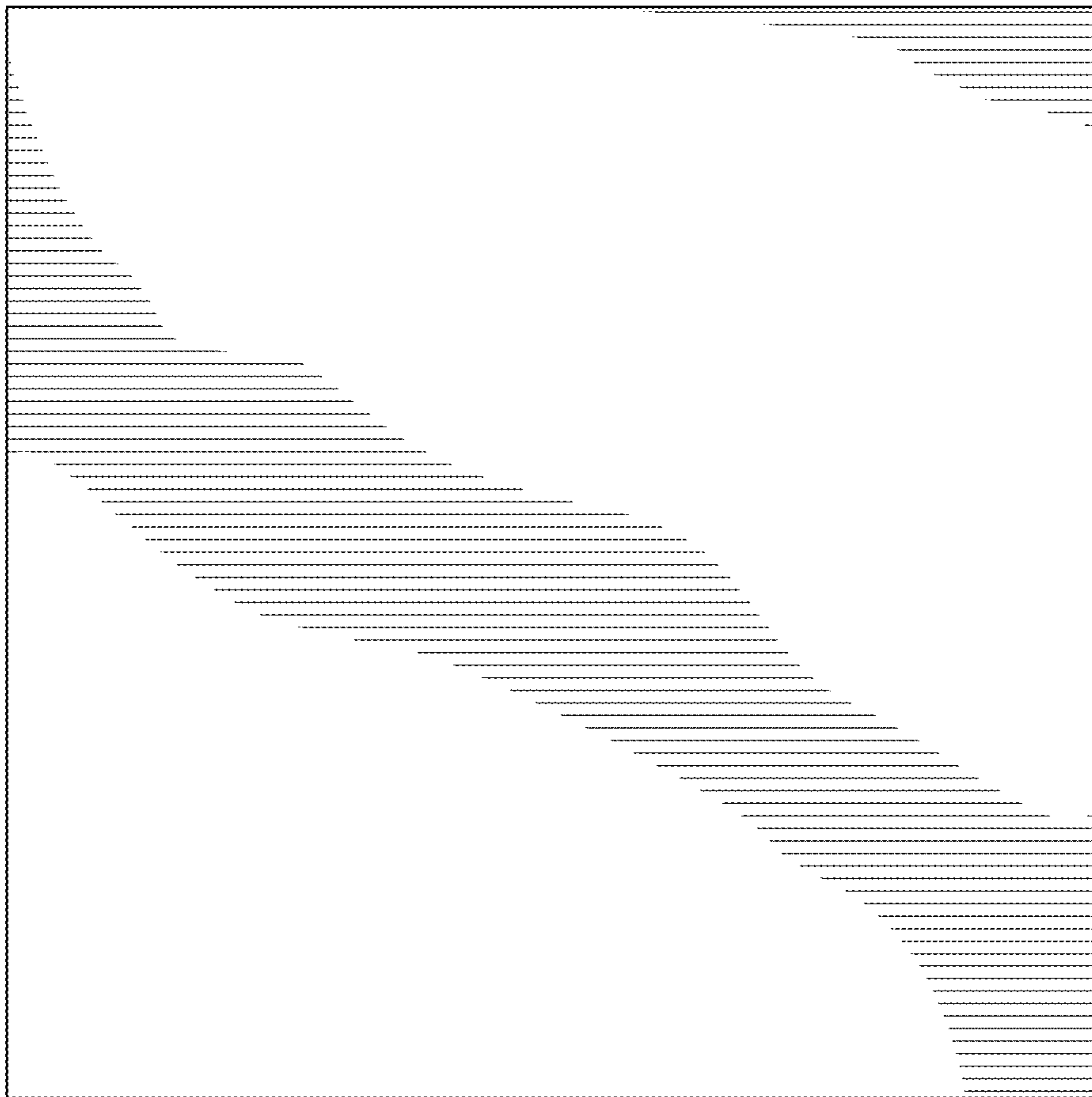


FIG. 3

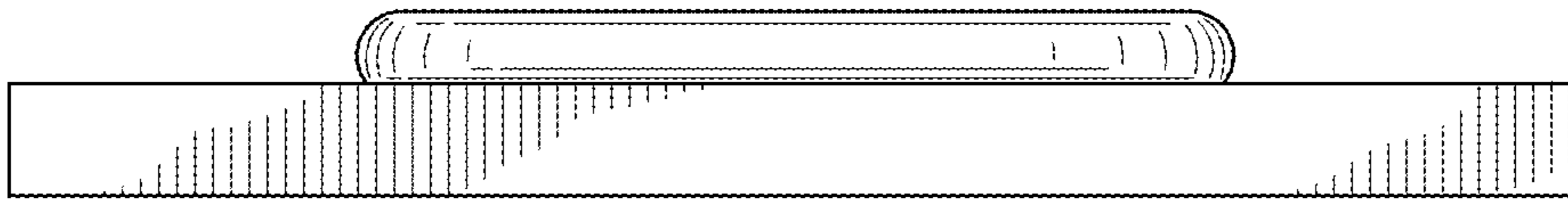


FIG. 4

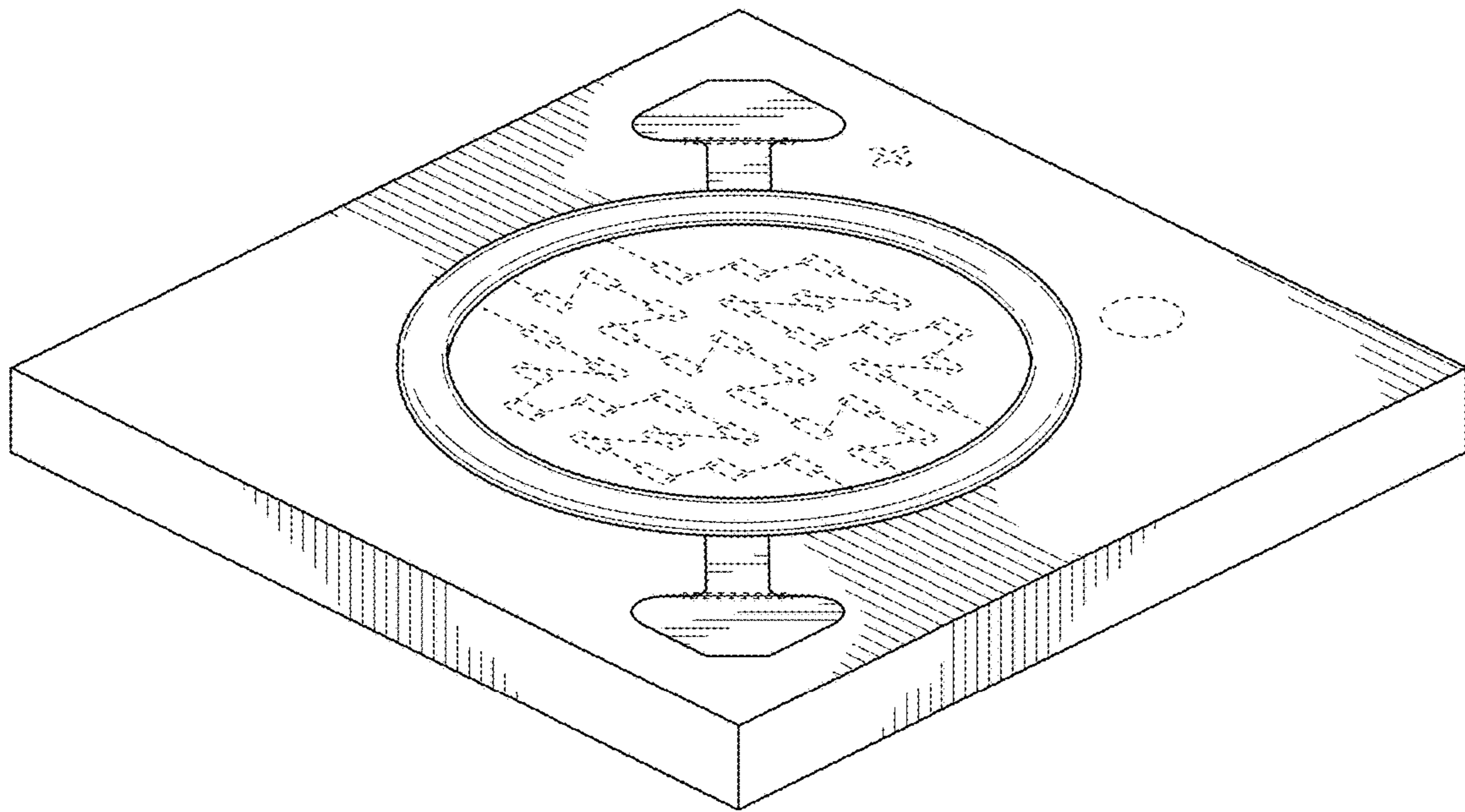


FIG. 5

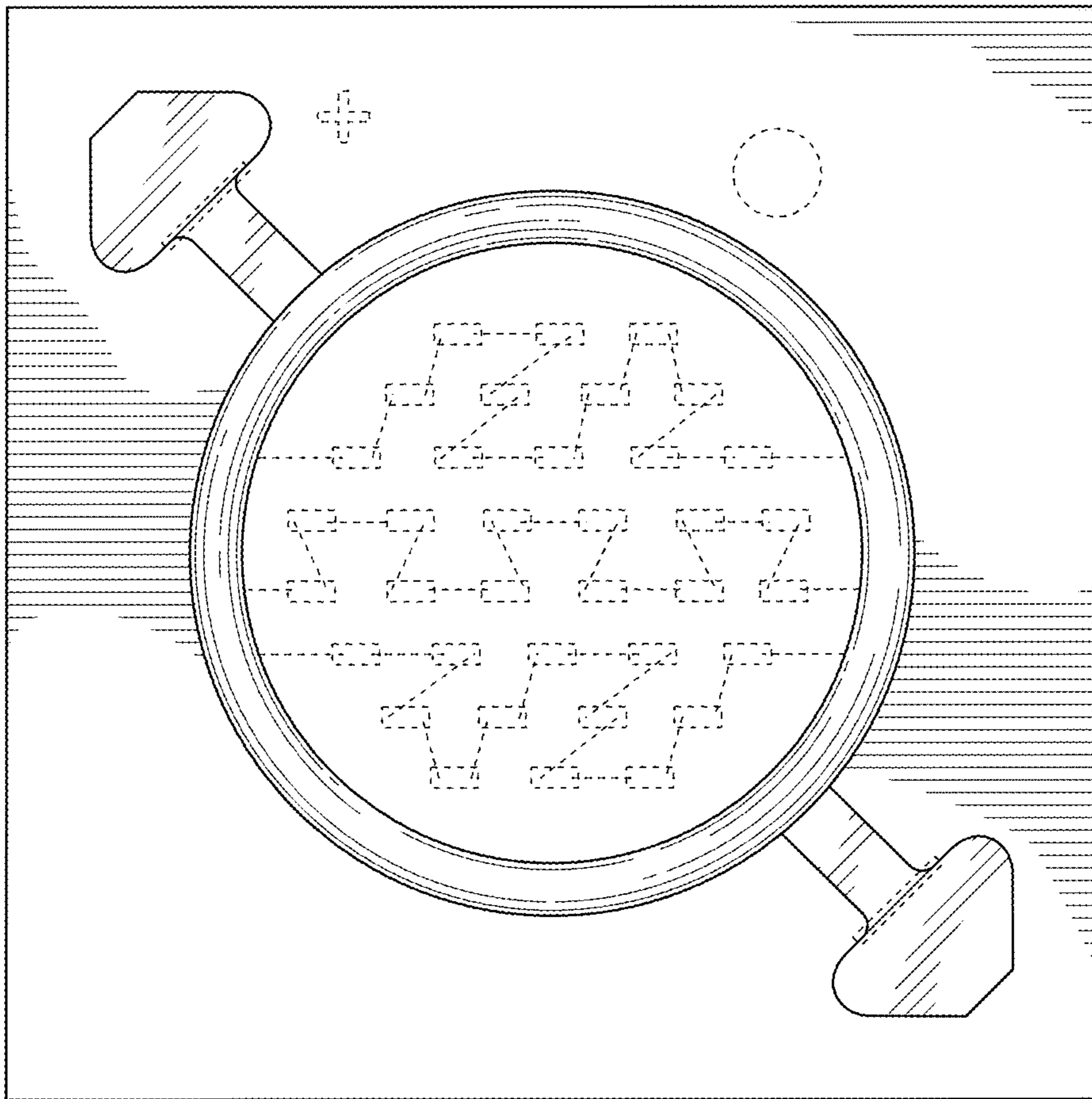


FIG. 6

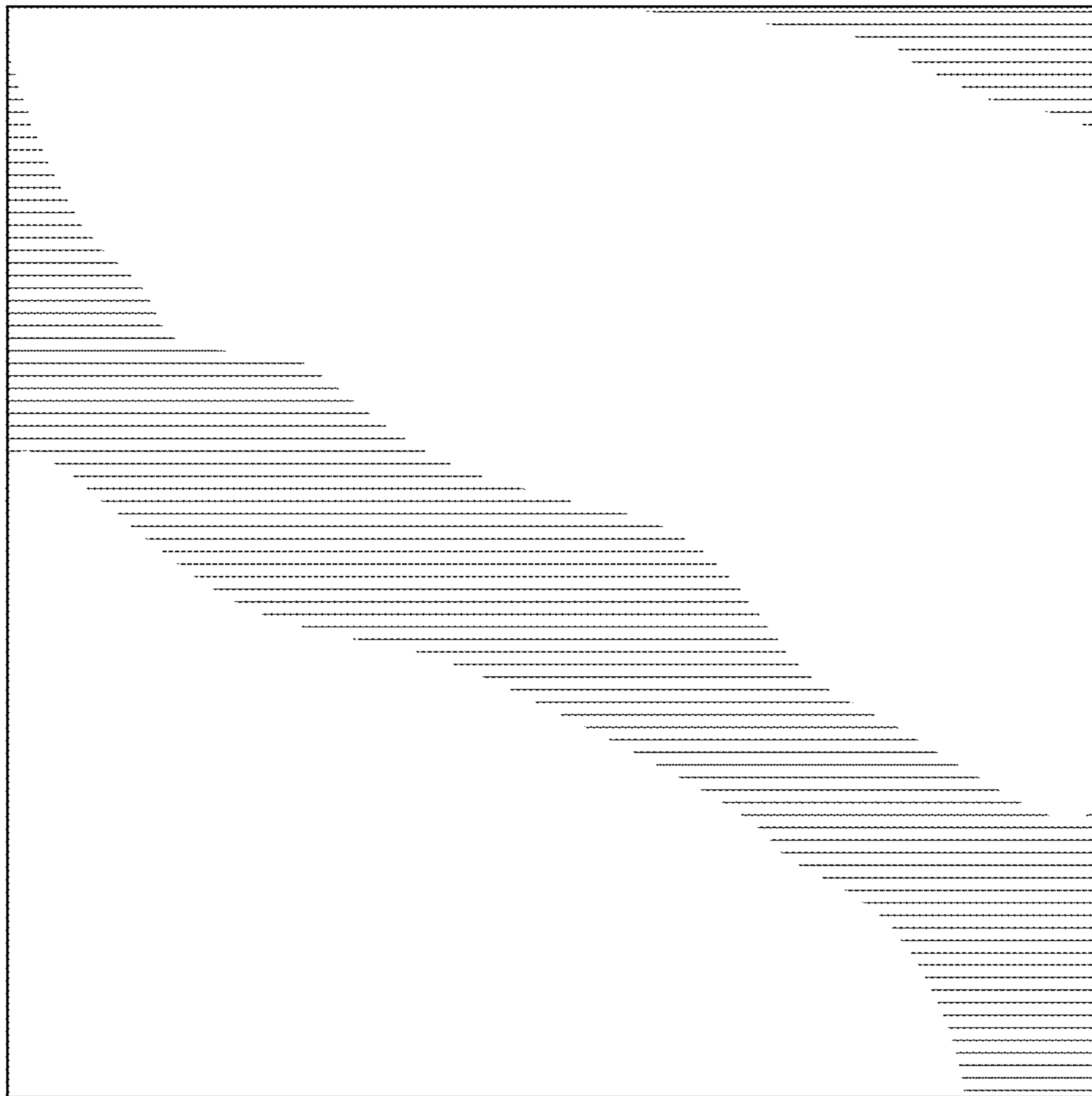


FIG. 7

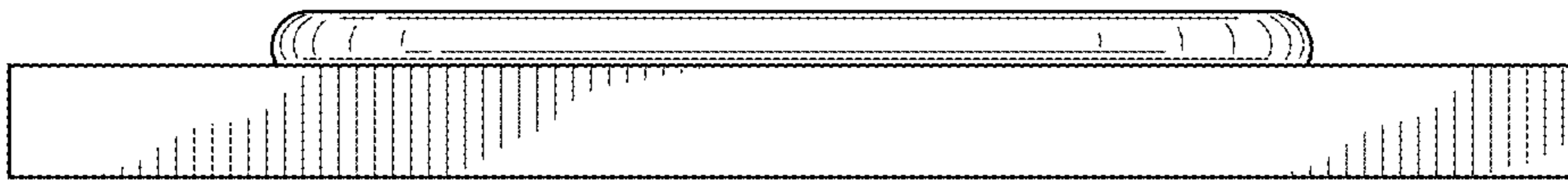


FIG. 8

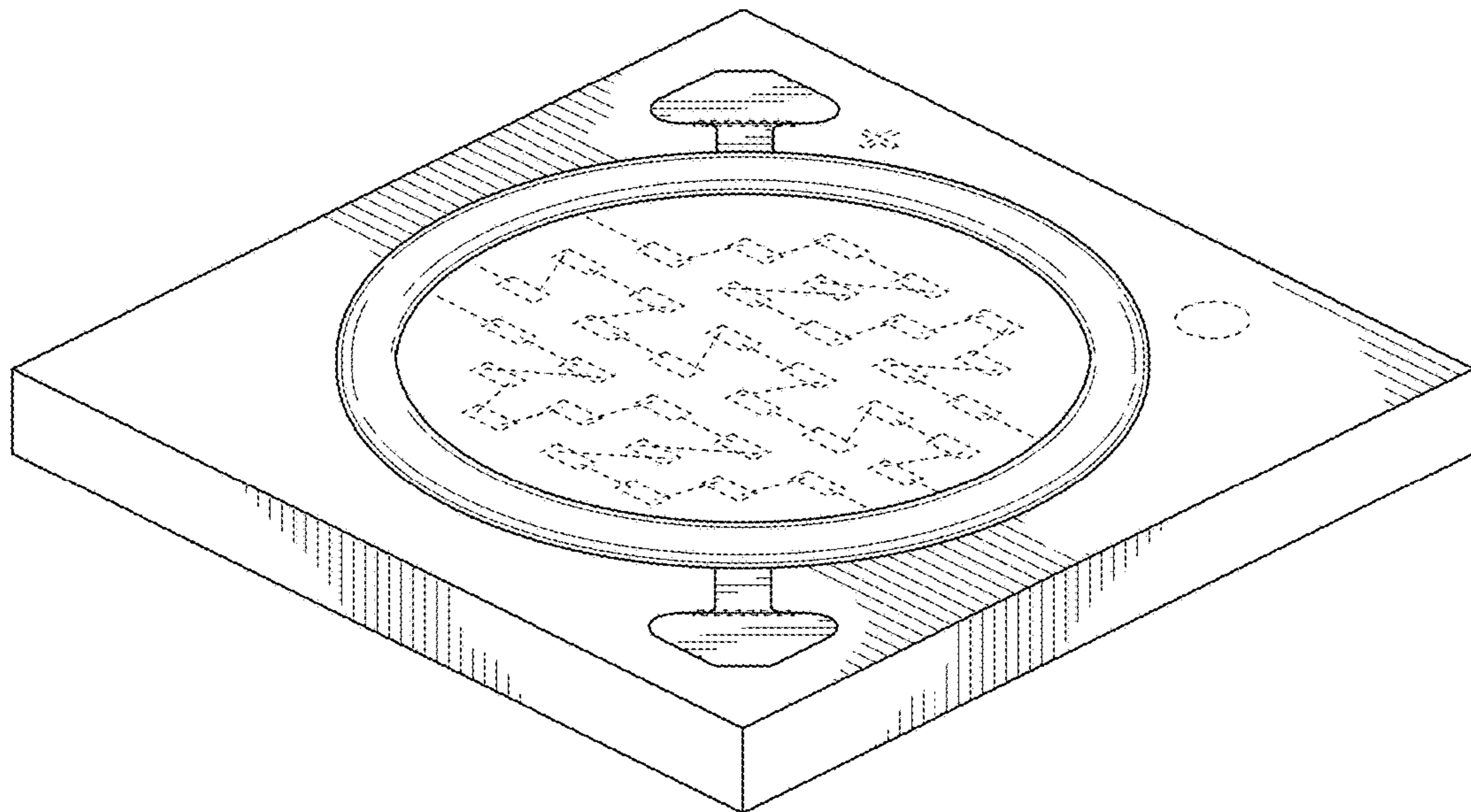


FIG. 9

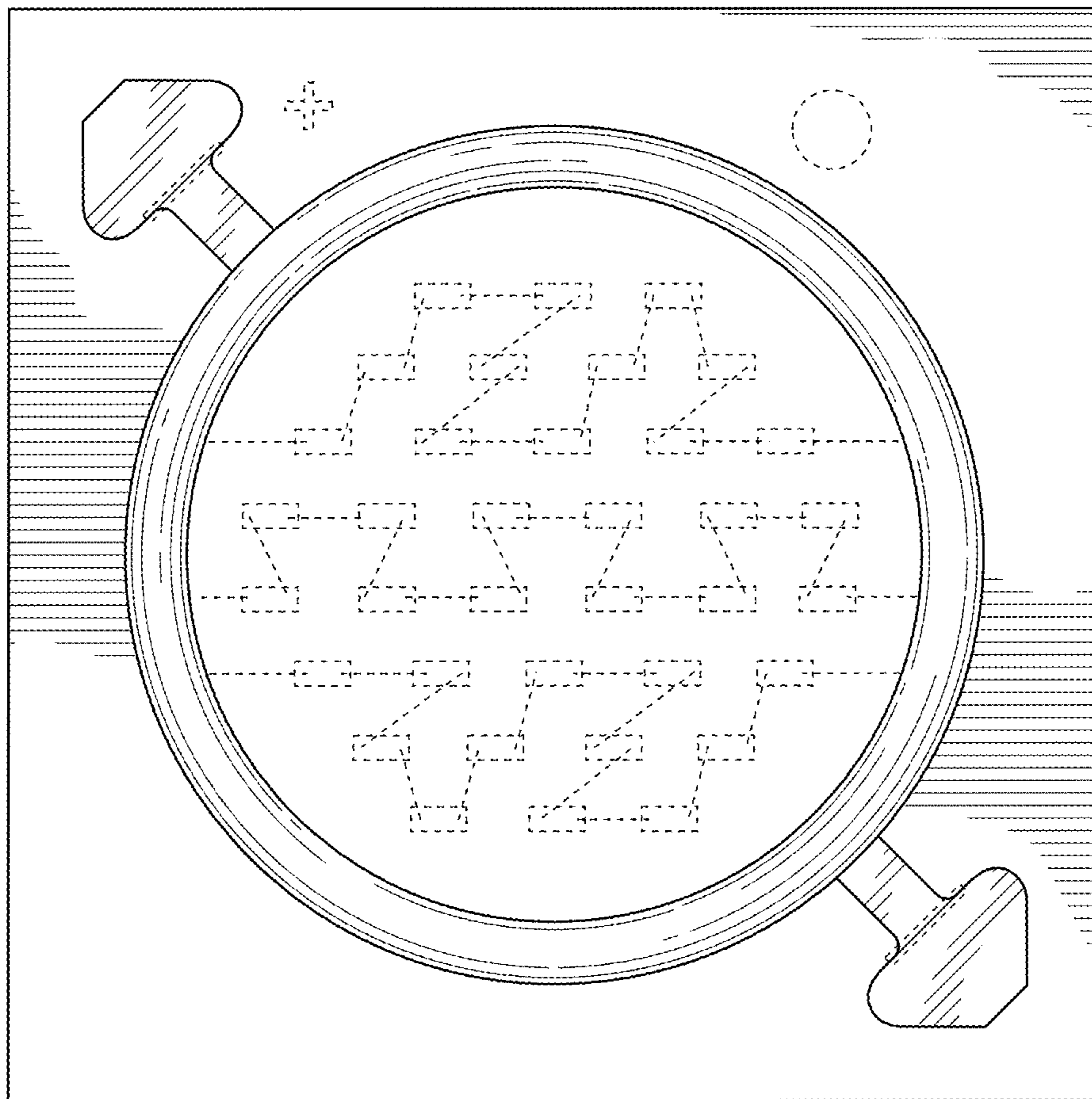


FIG. 10

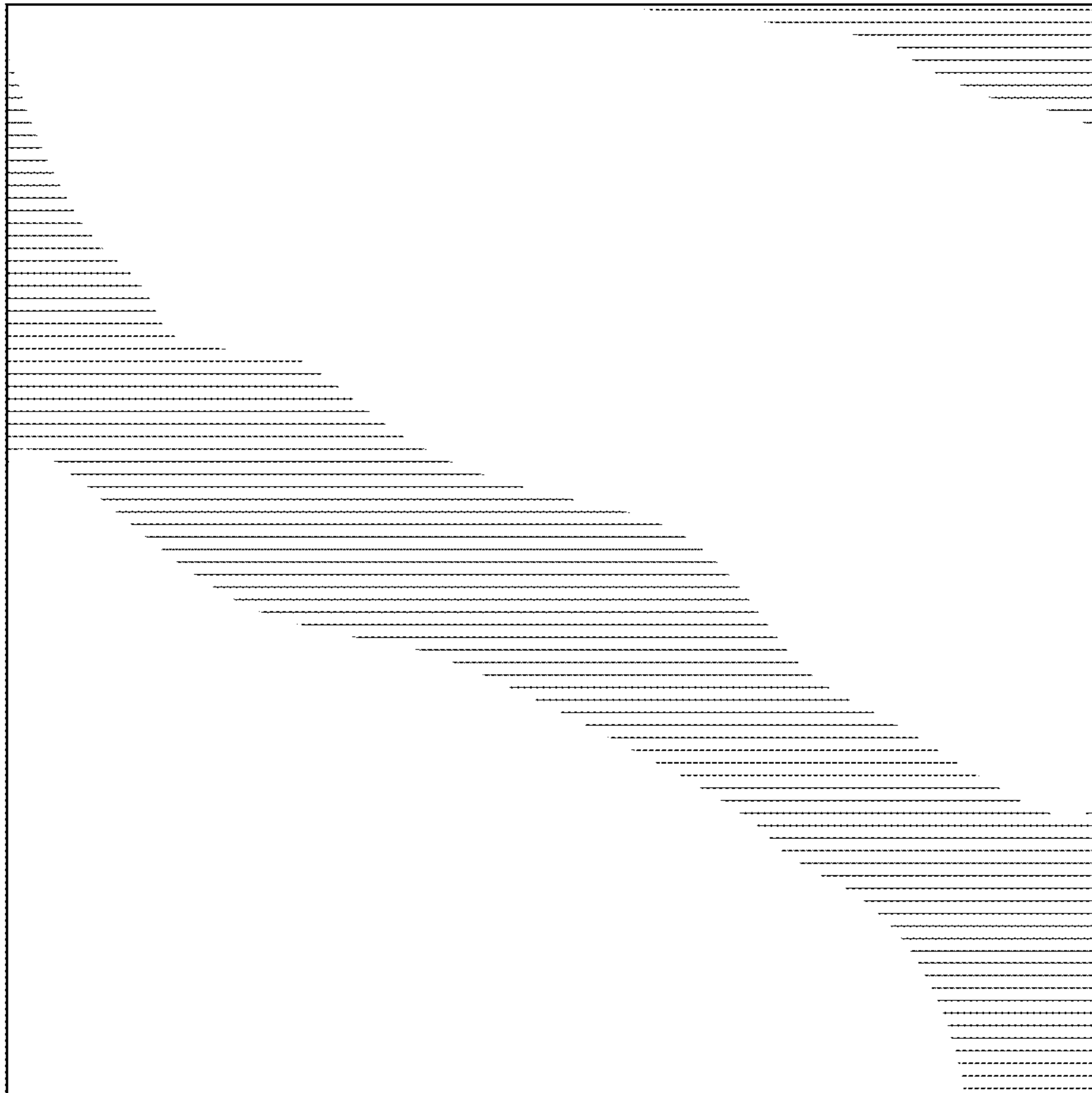


FIG. 11

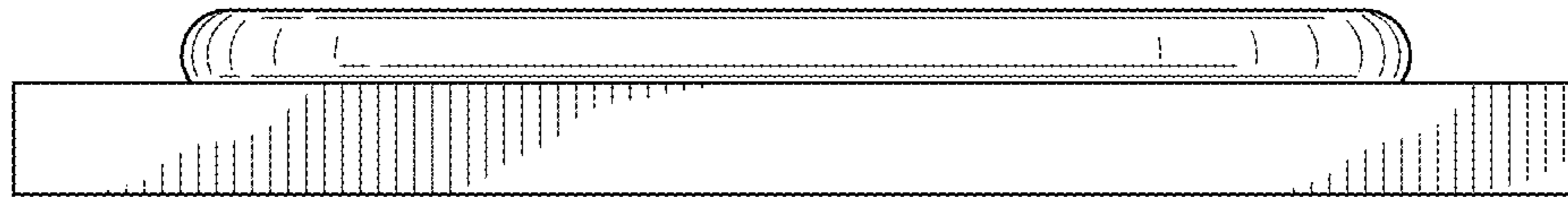


FIG. 12

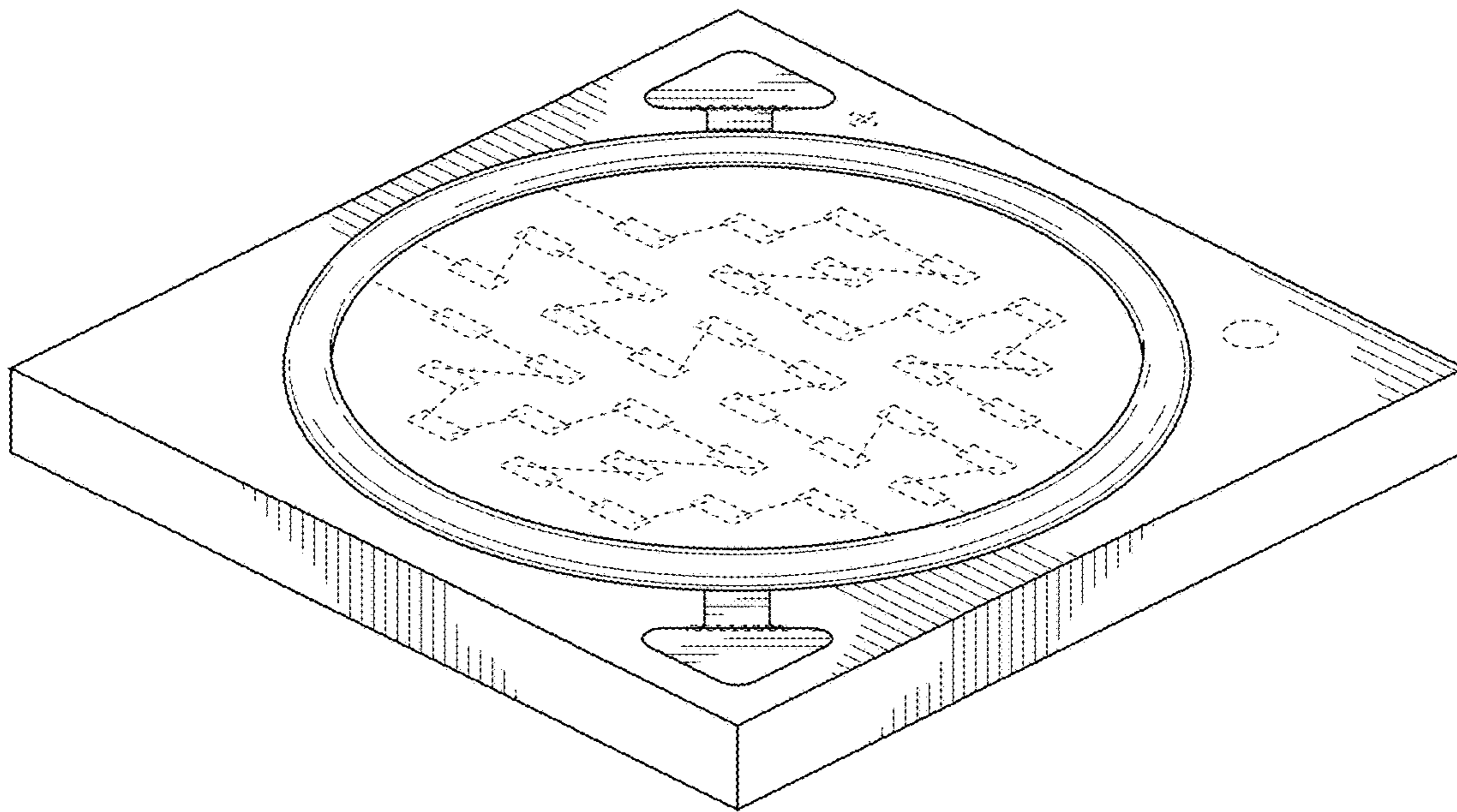


FIG. 13

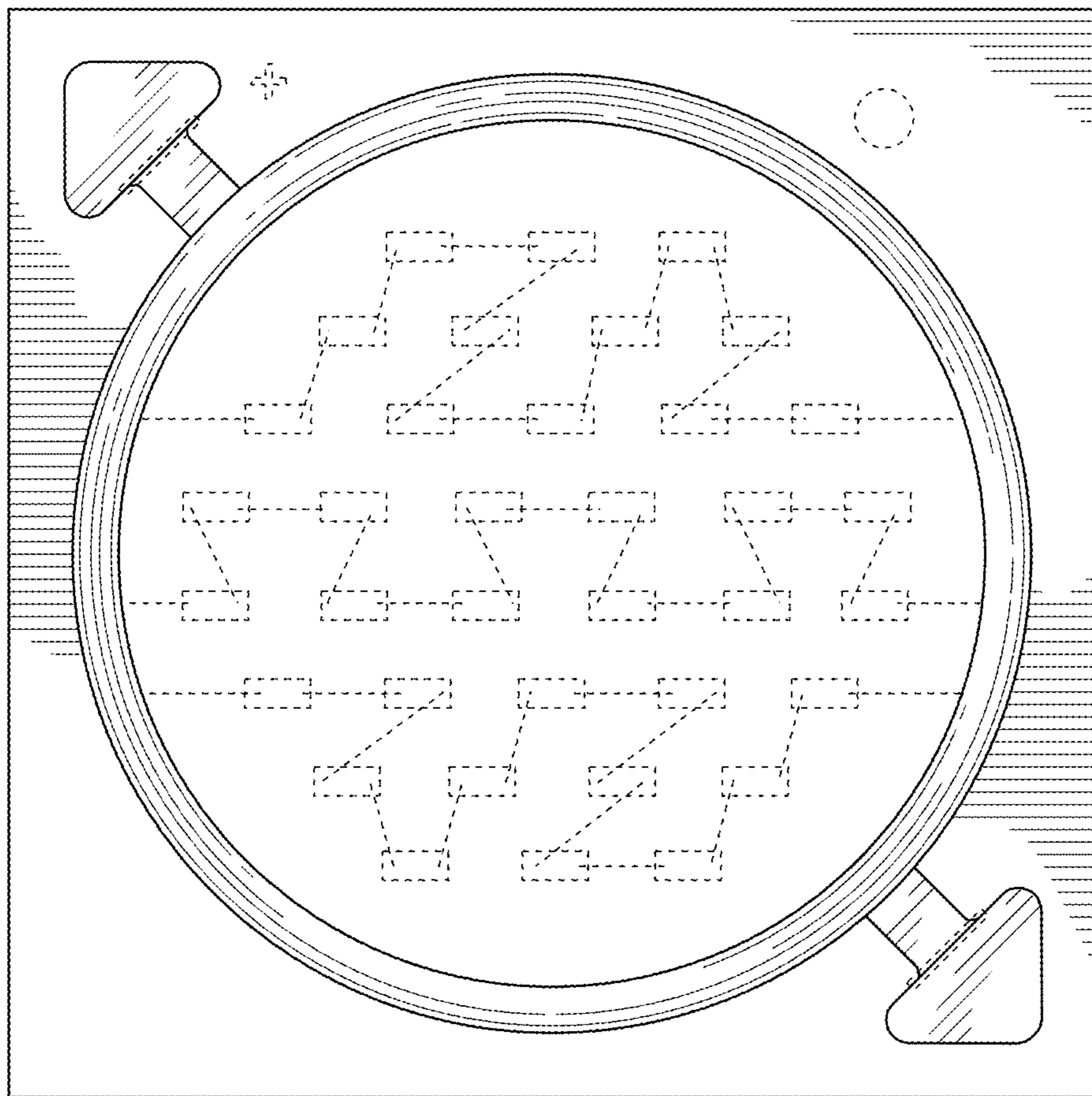


FIG. 14

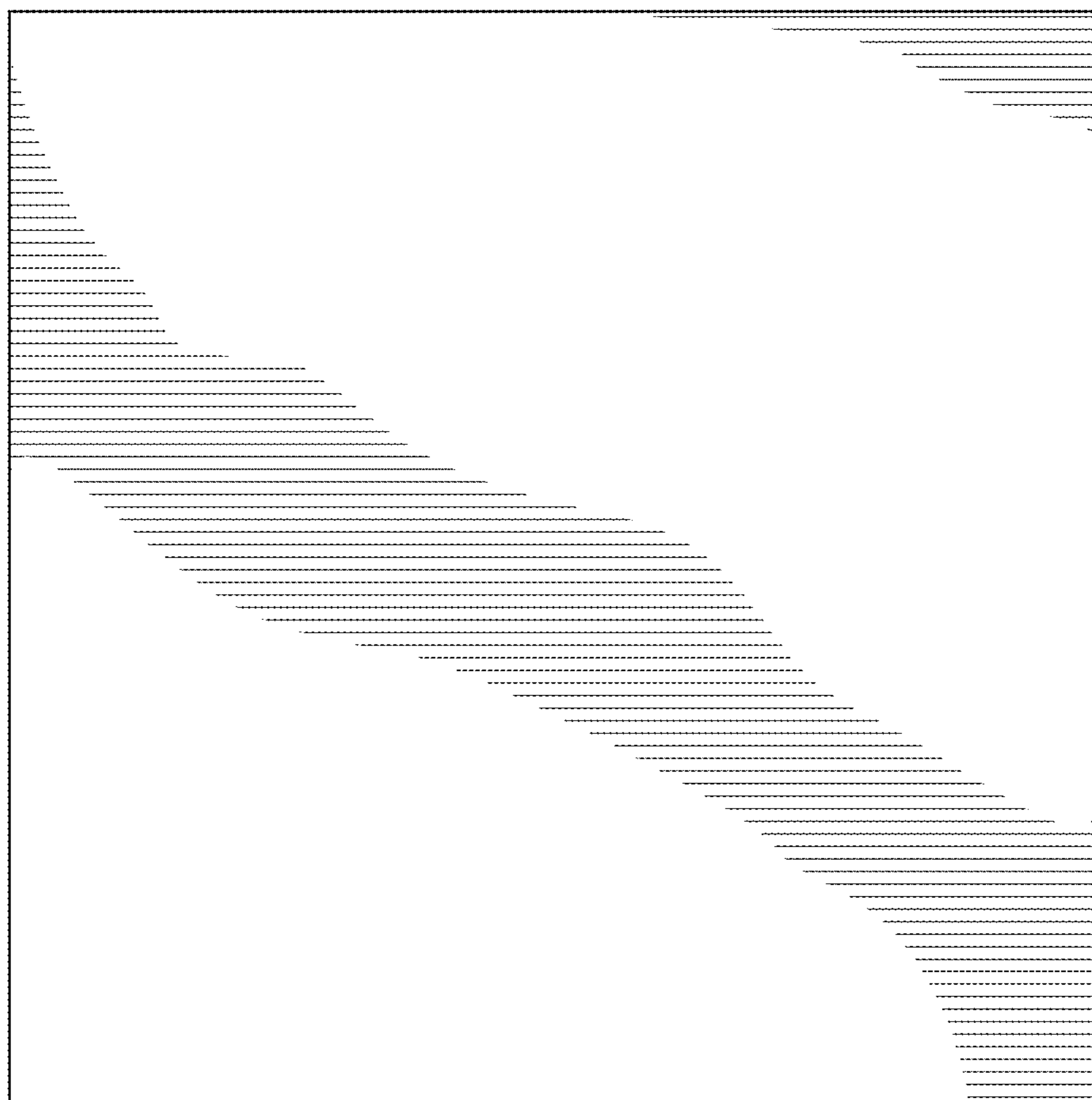


FIG. 15

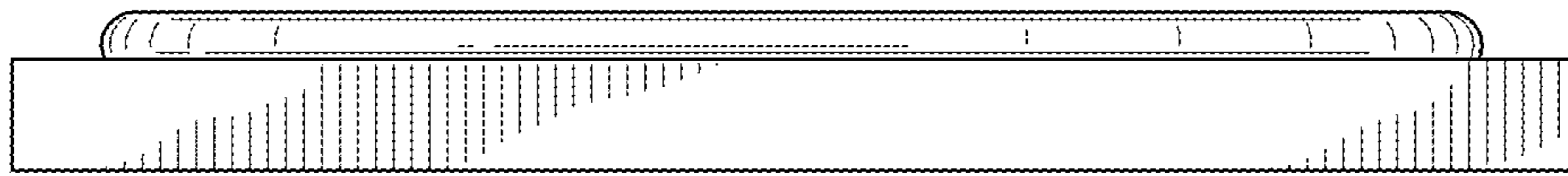


FIG. 16

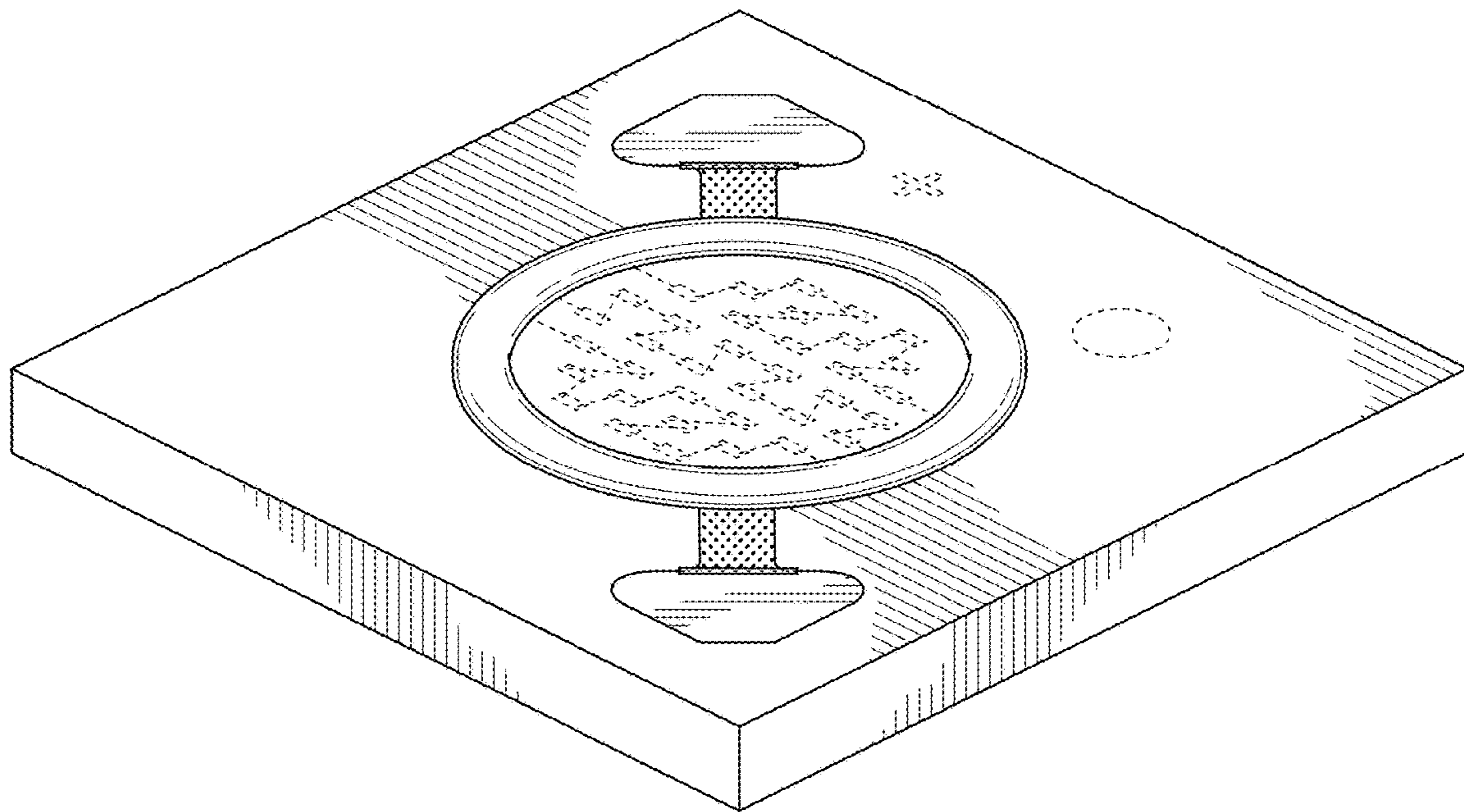


FIG. 17

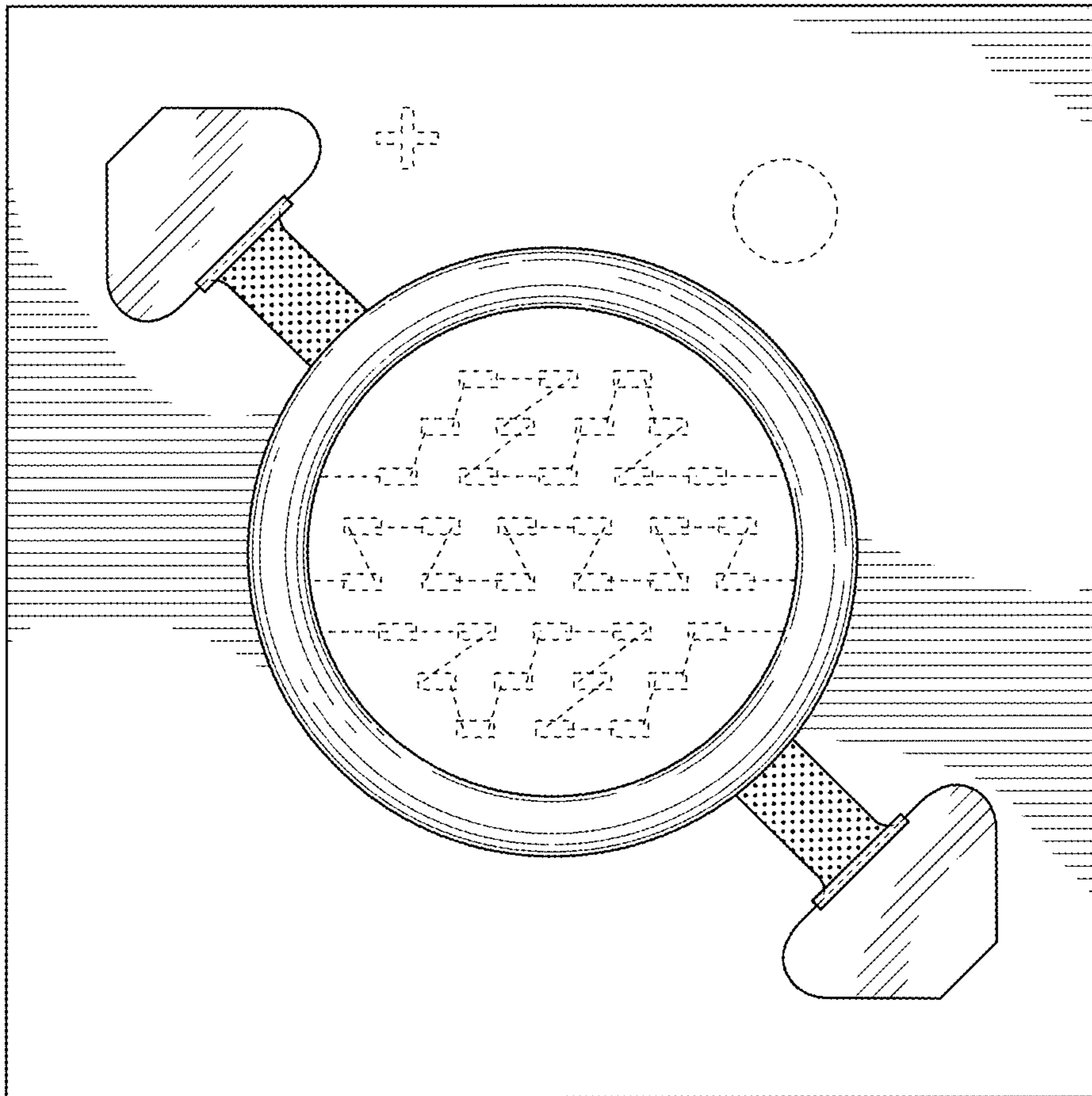


FIG. 18

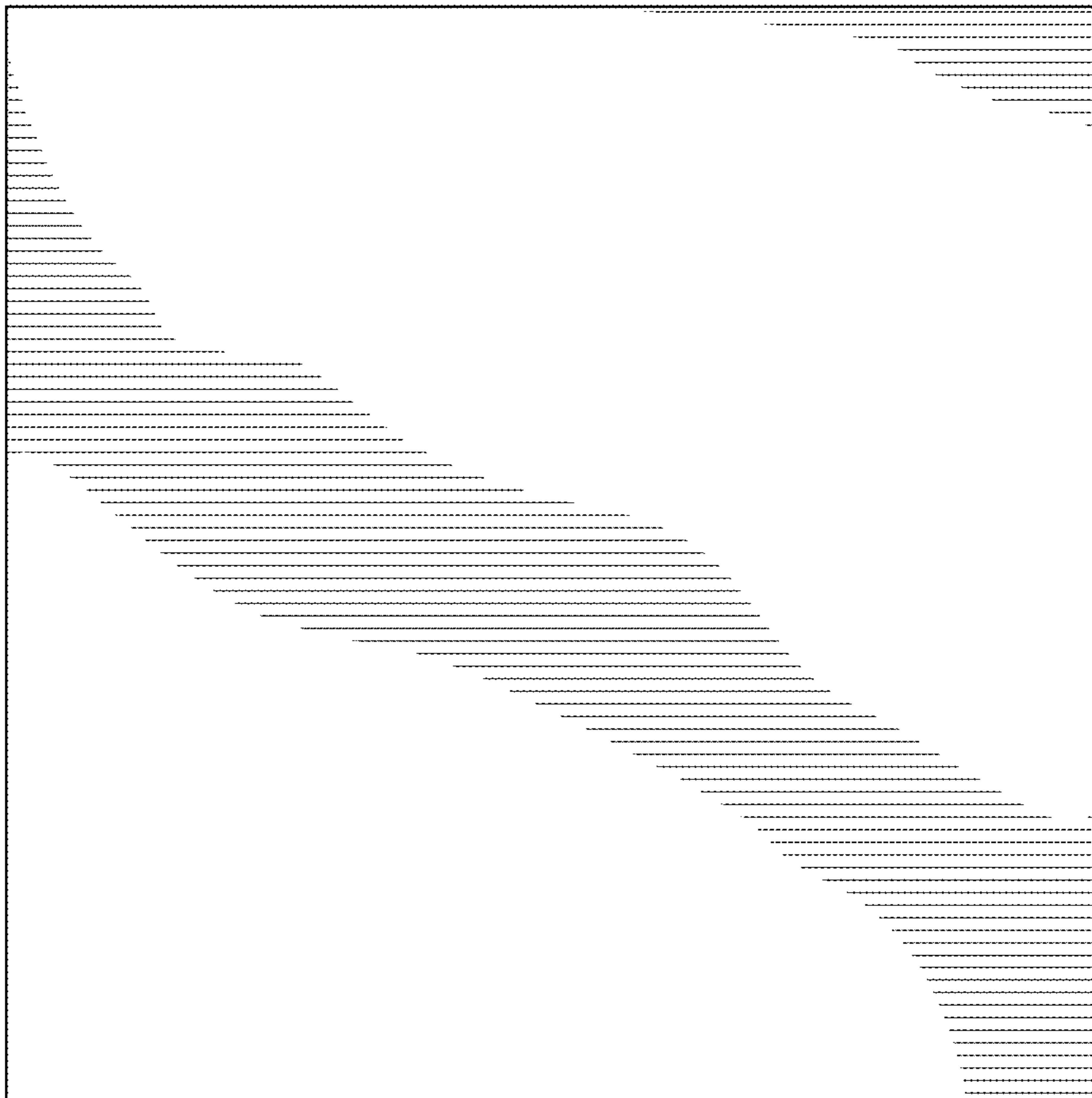


FIG. 19

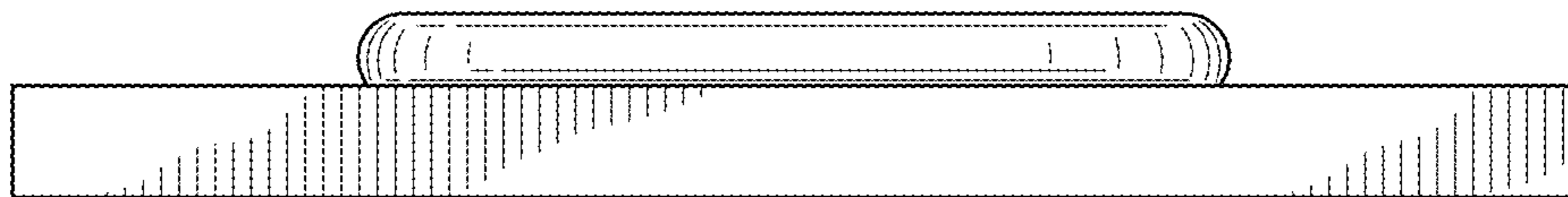


FIG. 20

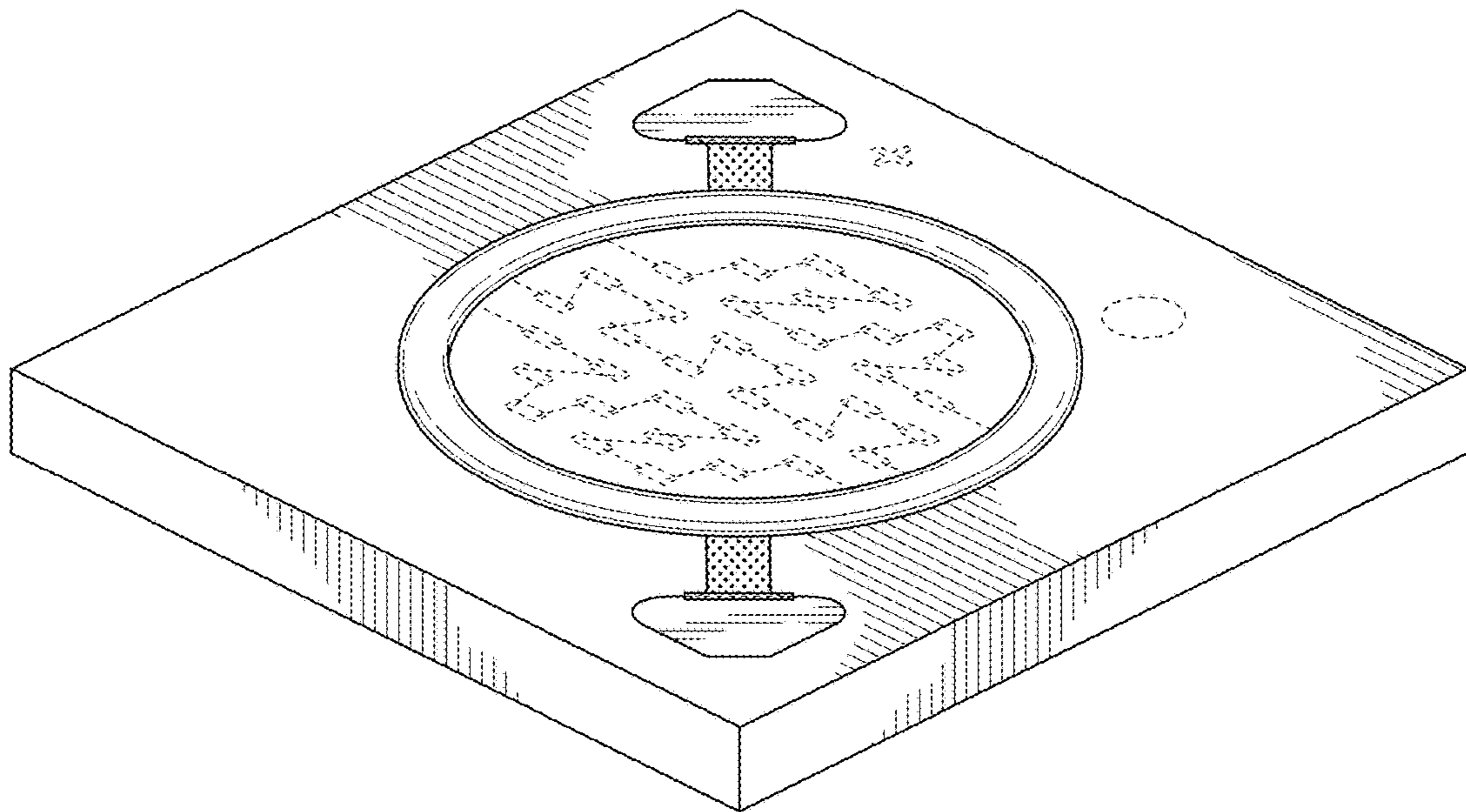


FIG. 21

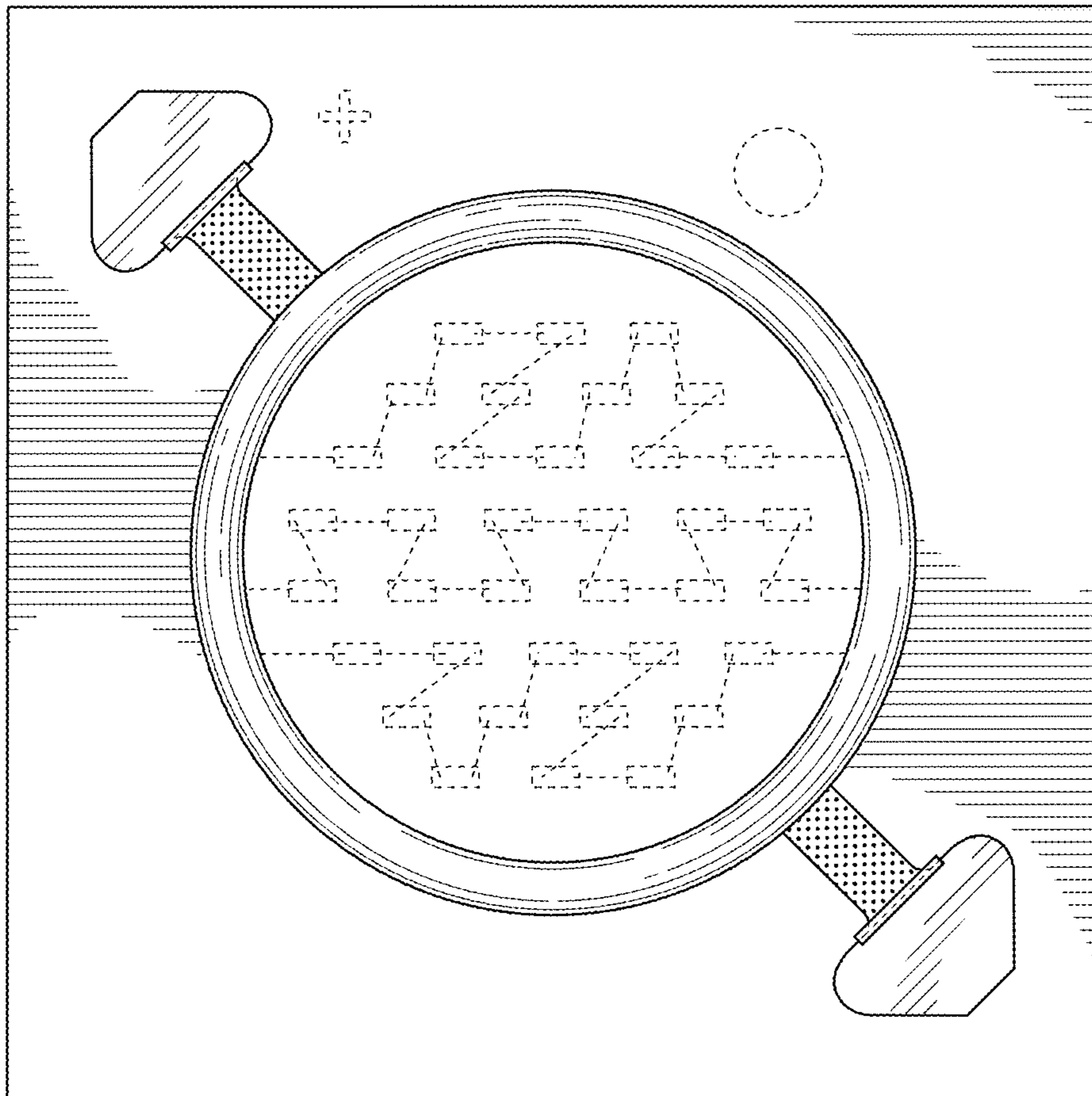


FIG. 22

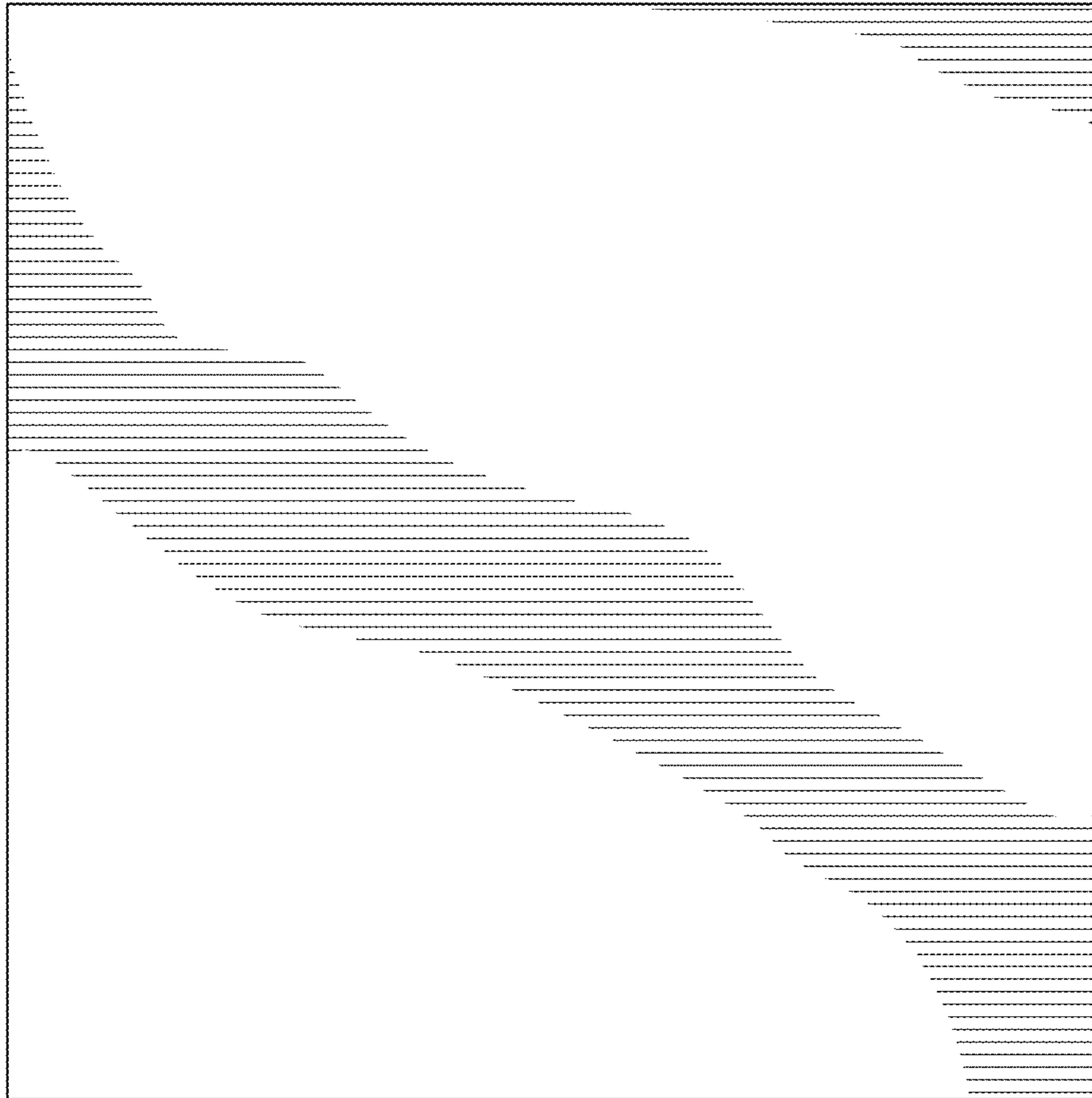


FIG. 23

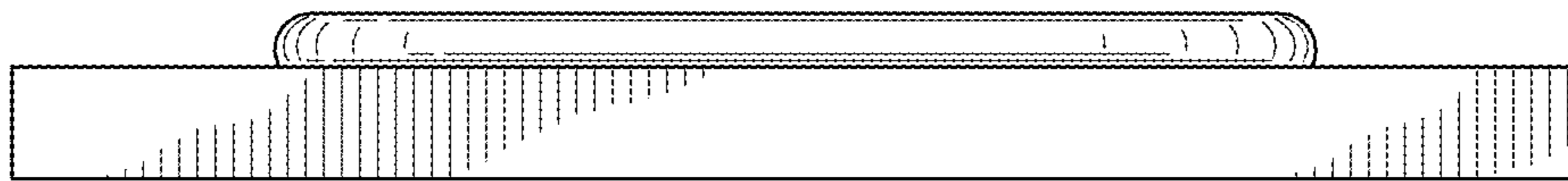


FIG. 24

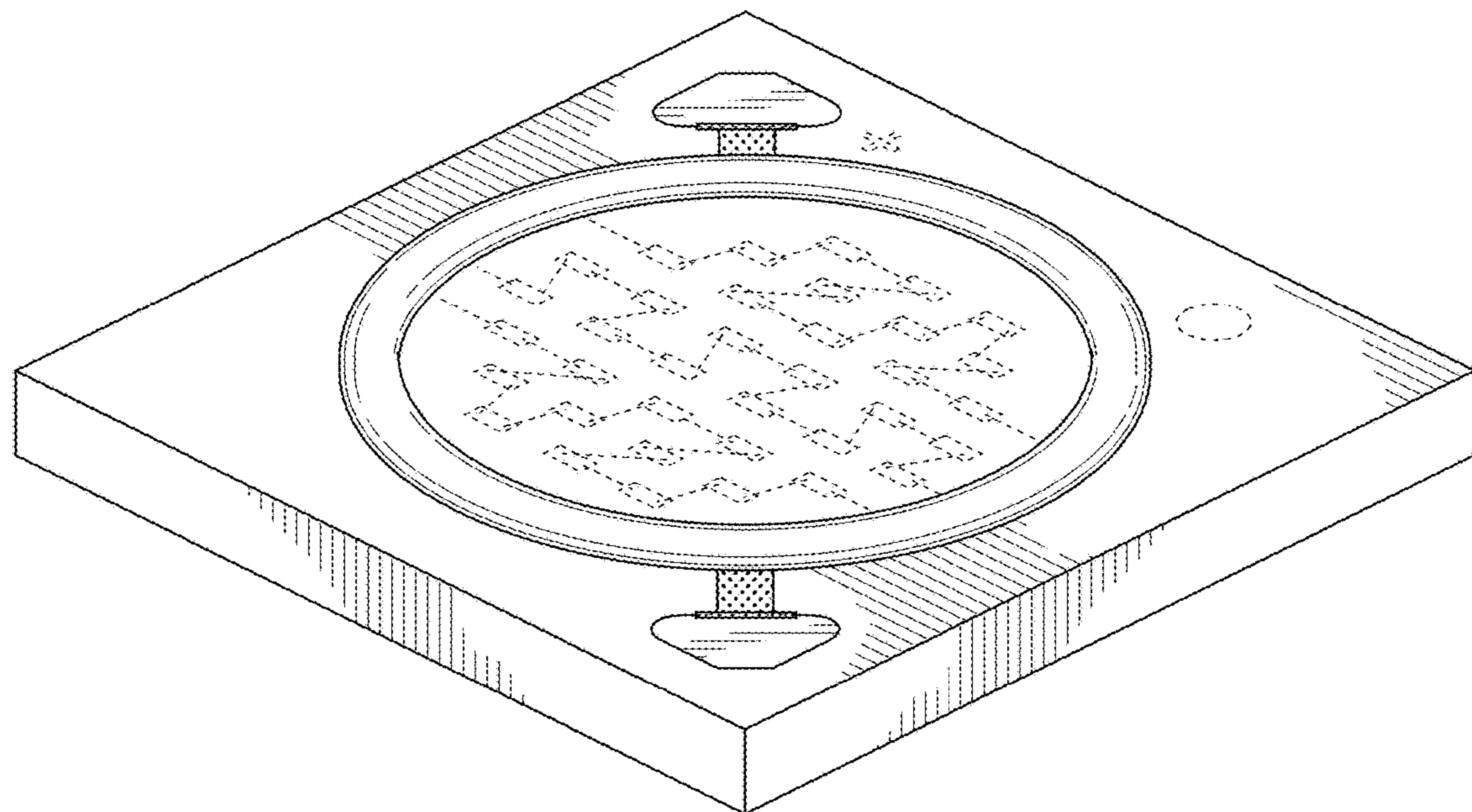


FIG. 25

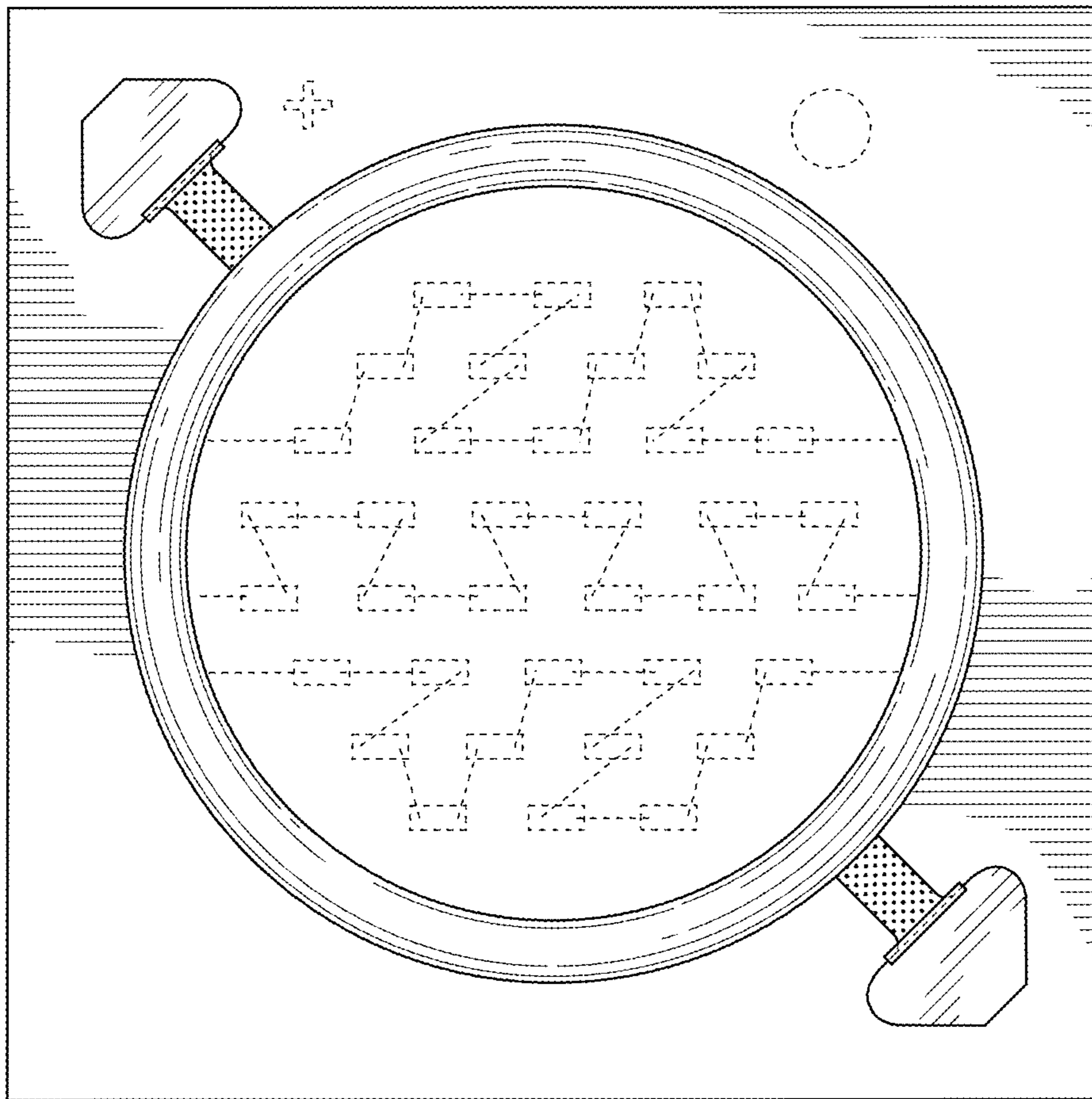


FIG. 26

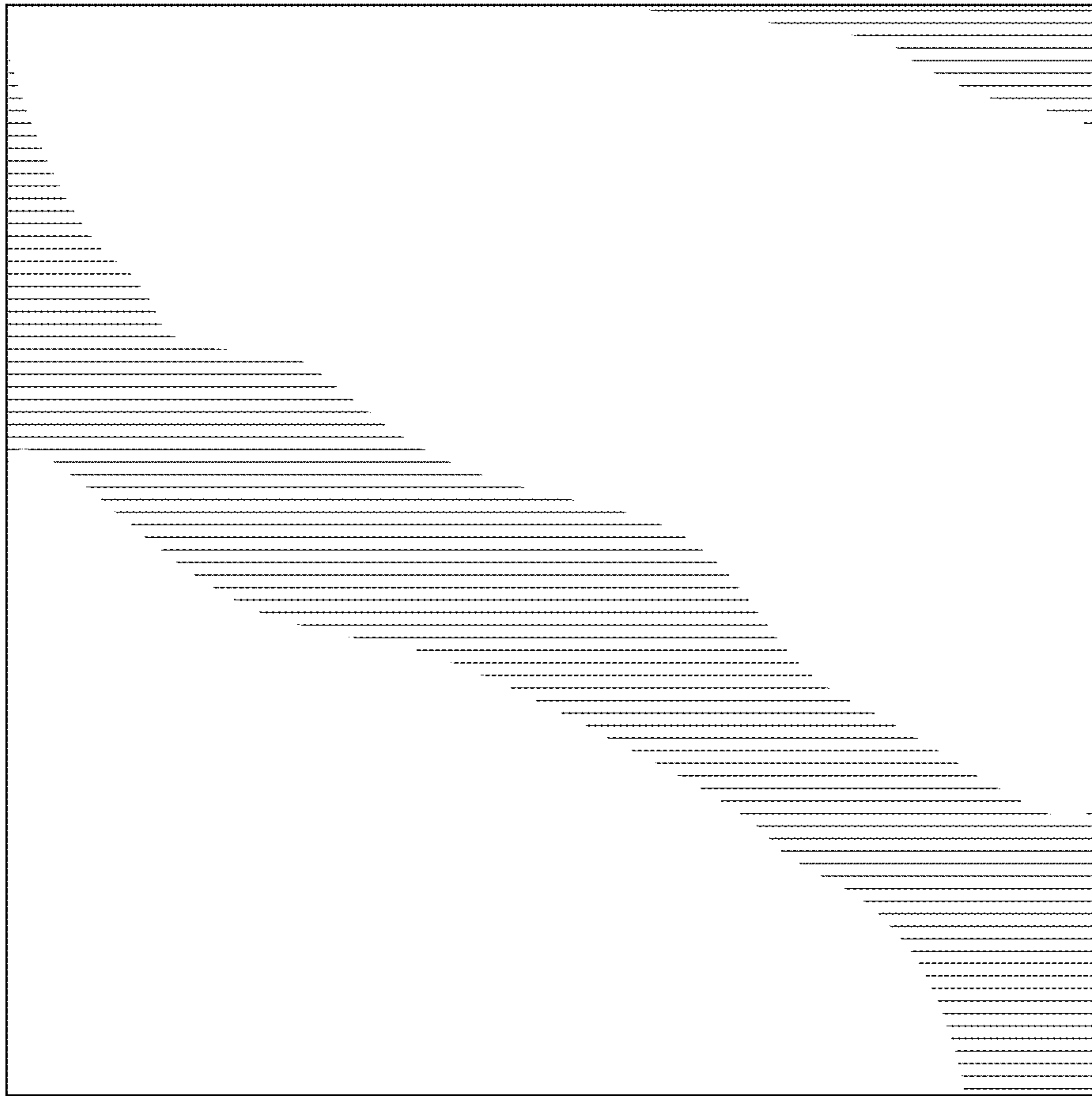


FIG. 27

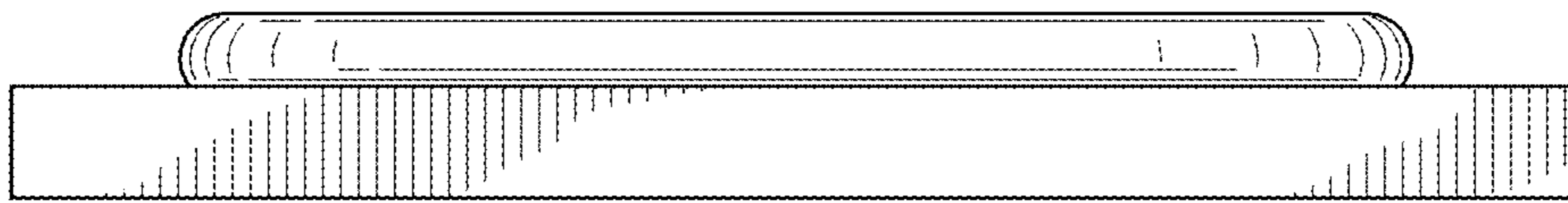


FIG. 28

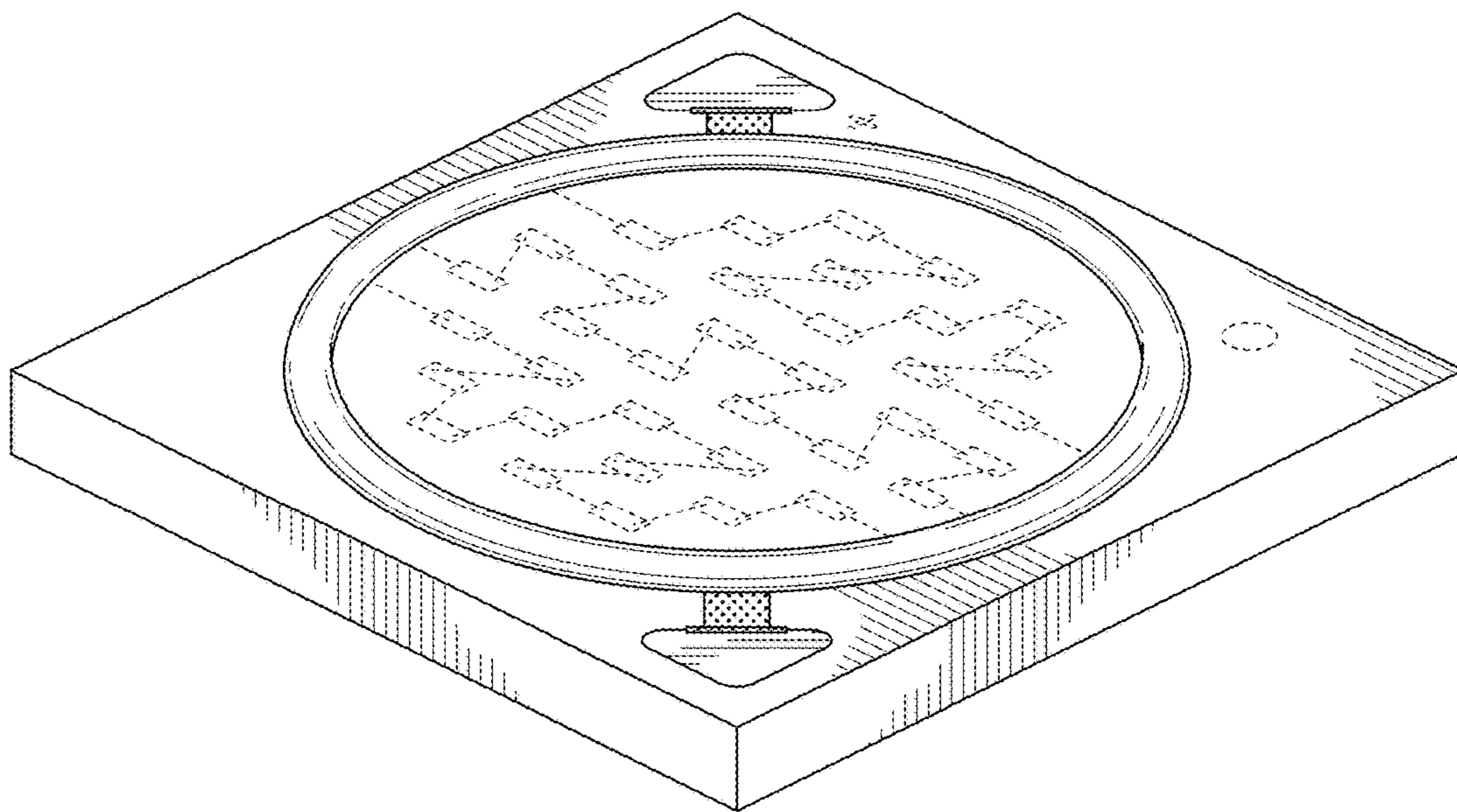


FIG. 29

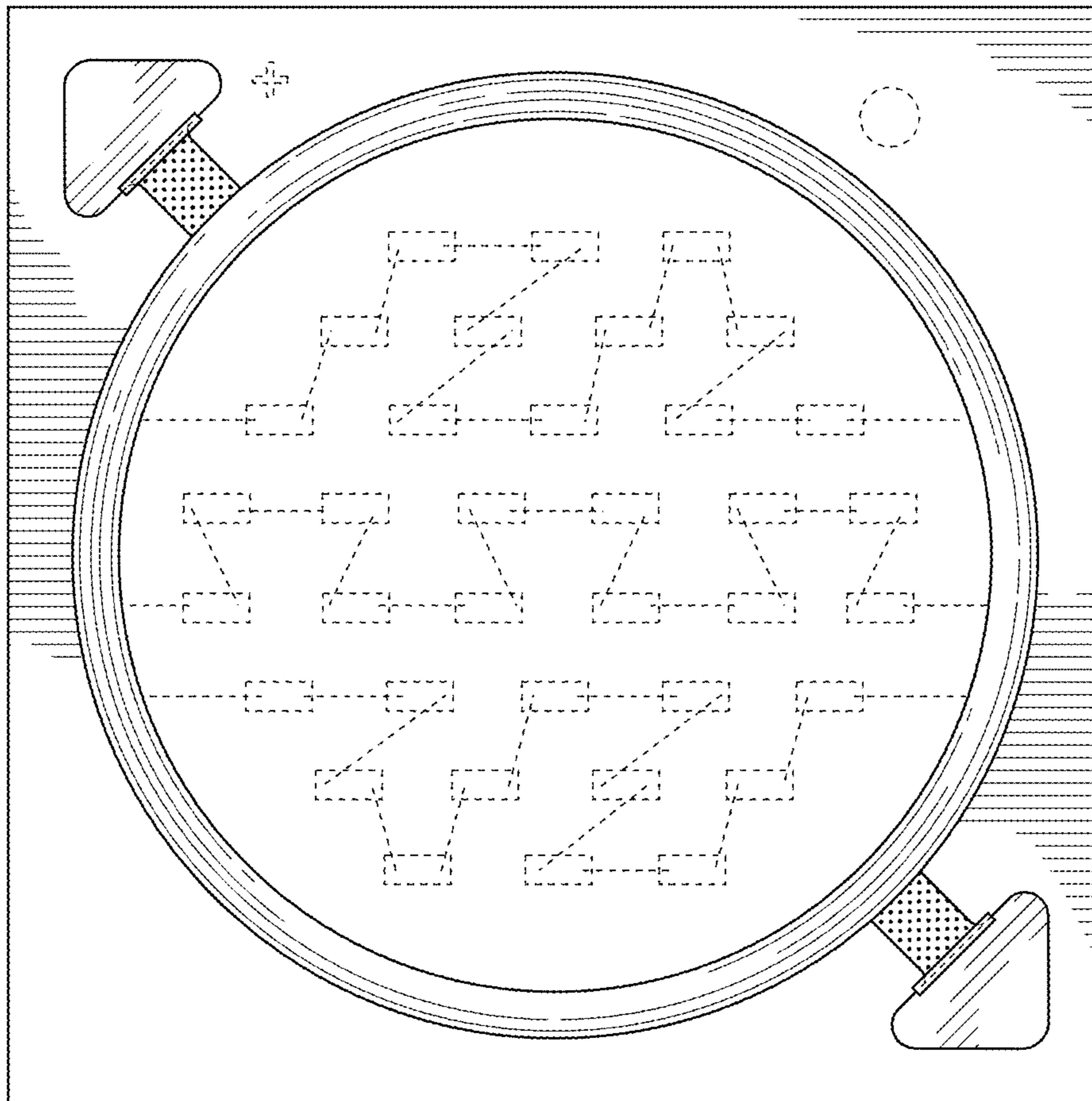


FIG. 30

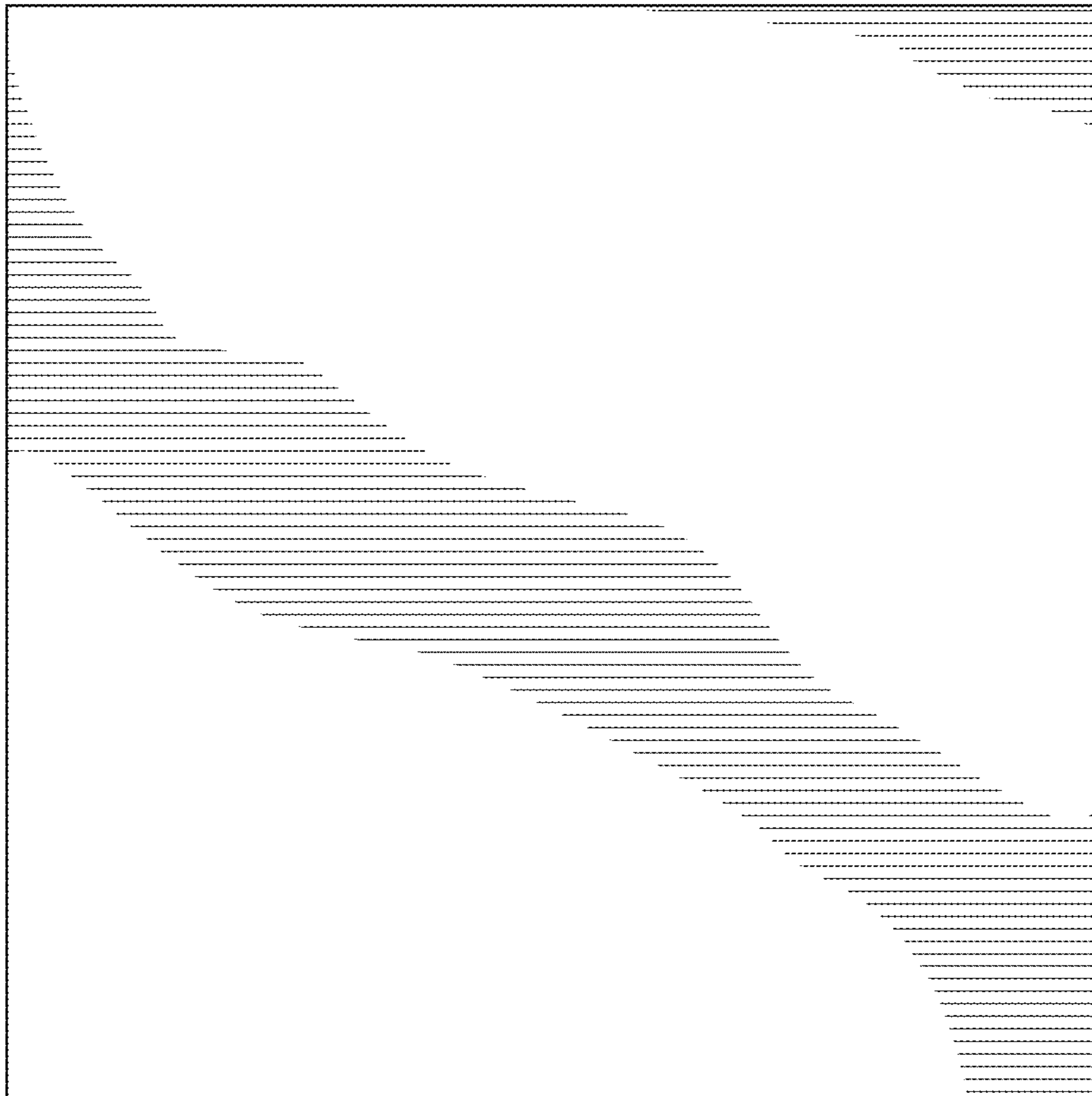


FIG. 31

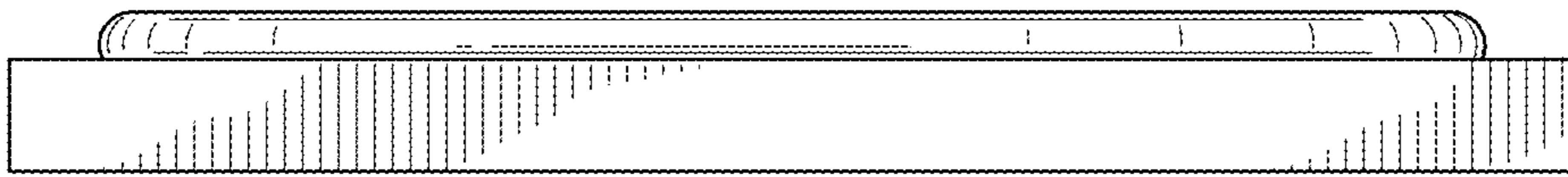


FIG. 32

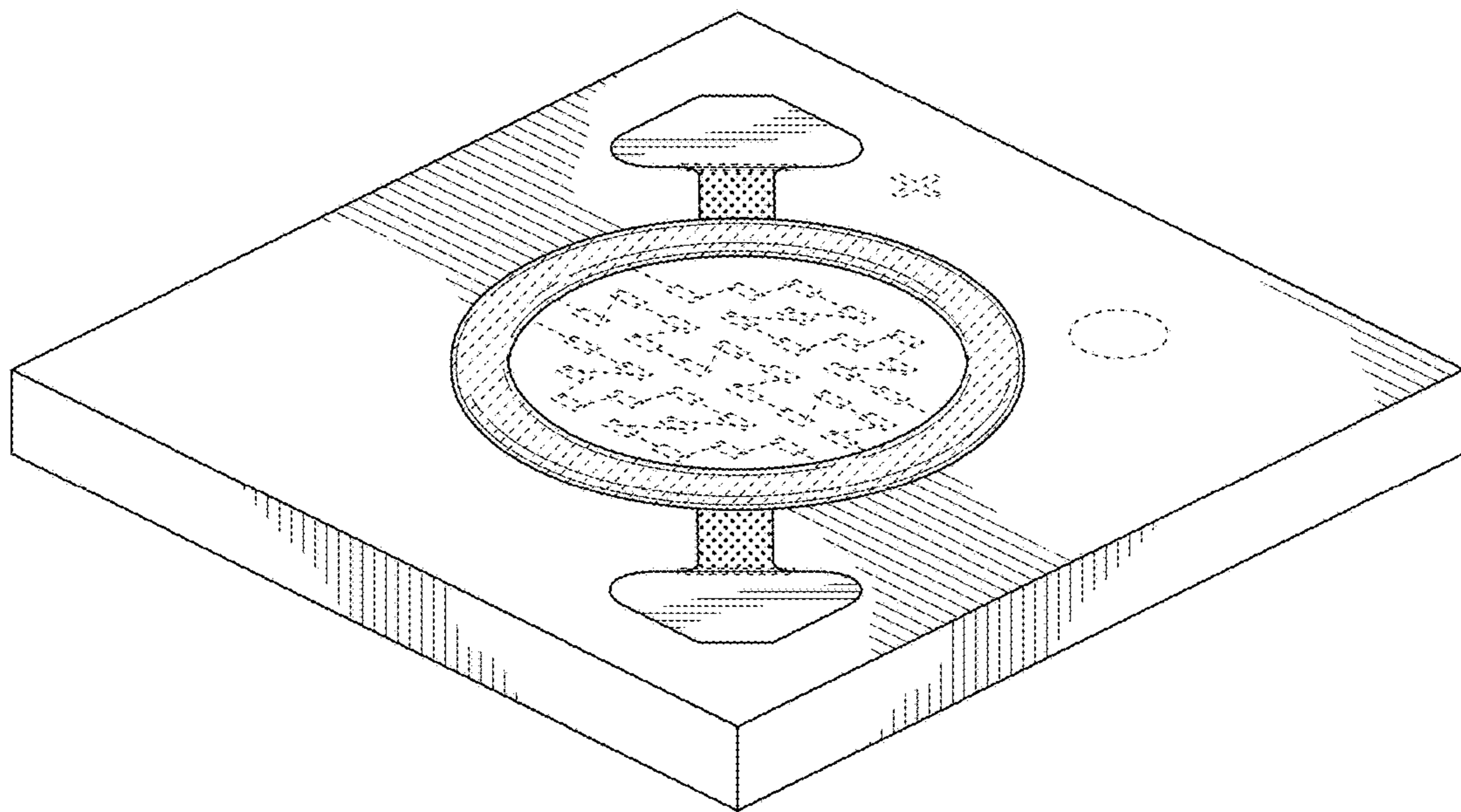


FIG. 33

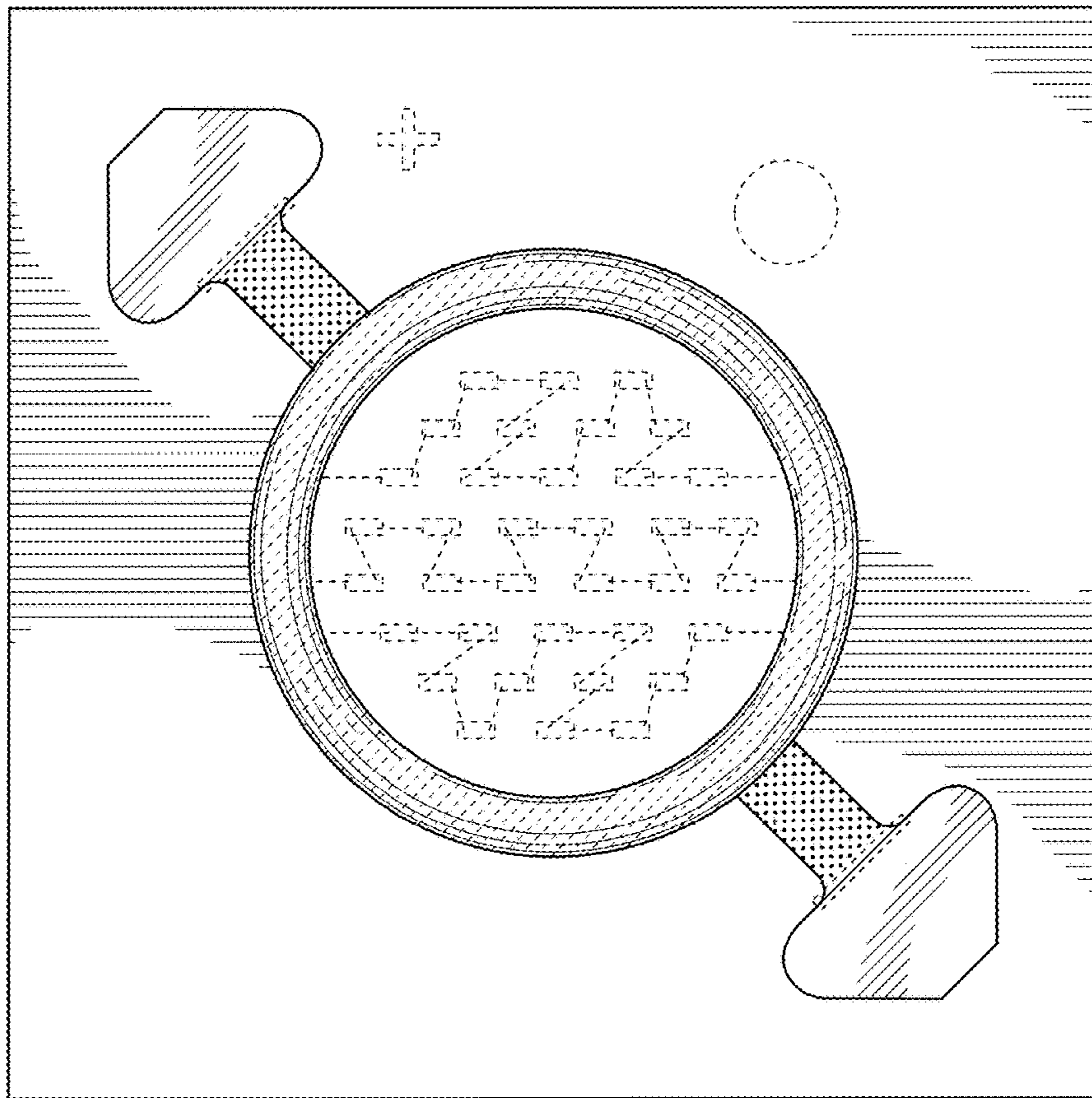


FIG. 34

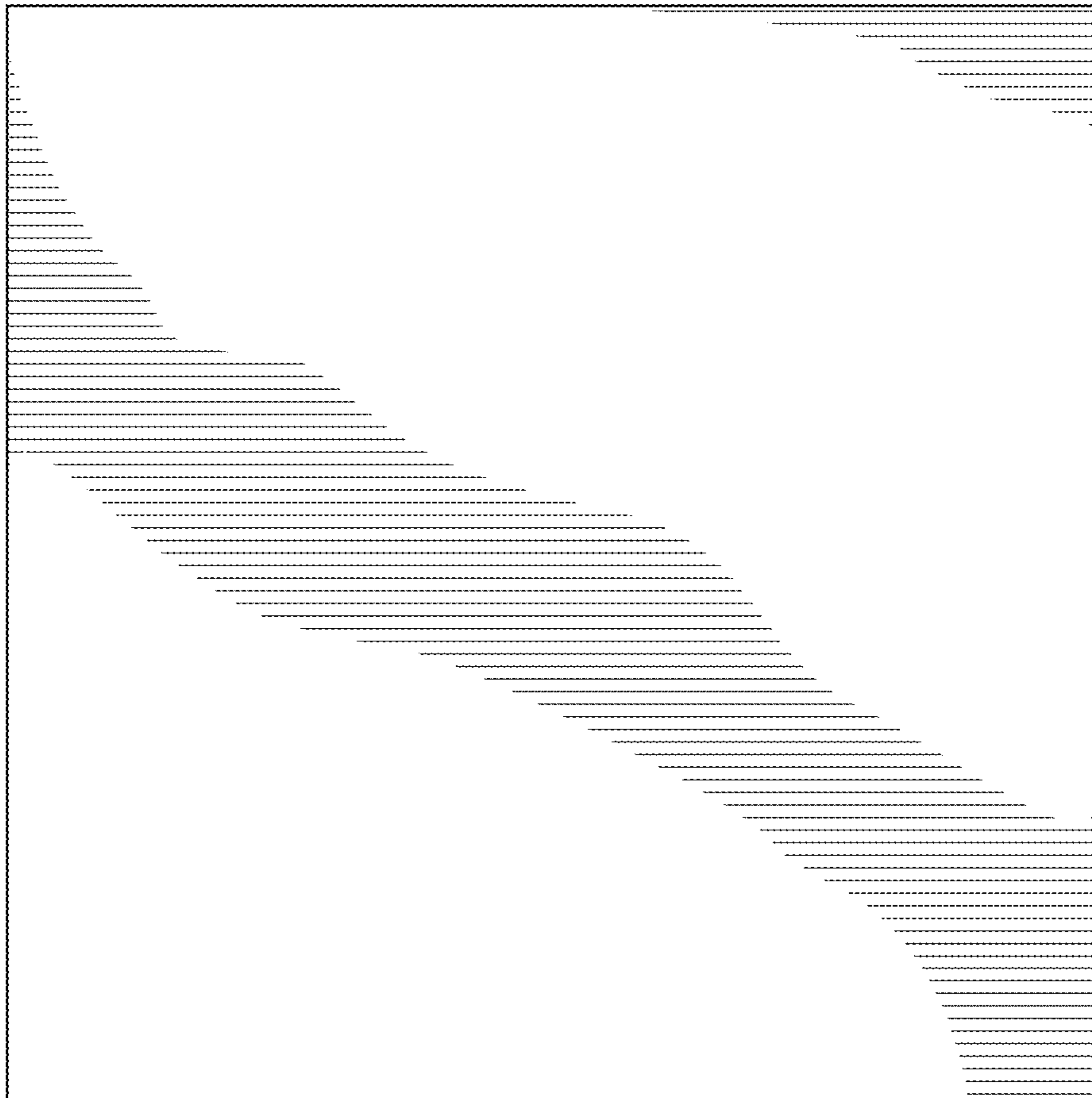


FIG. 35

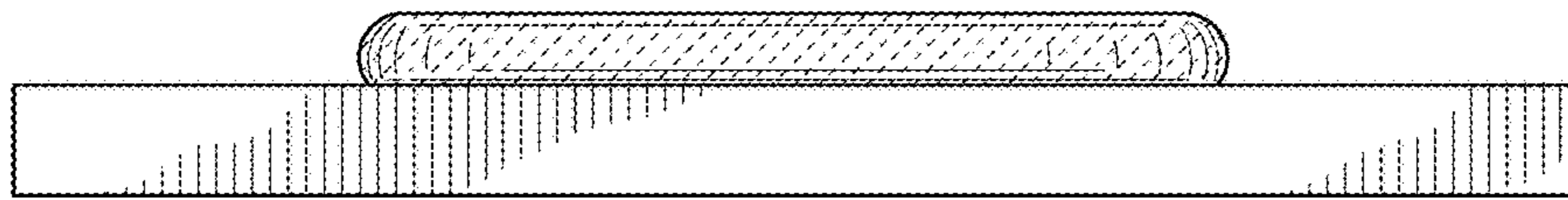


FIG. 36

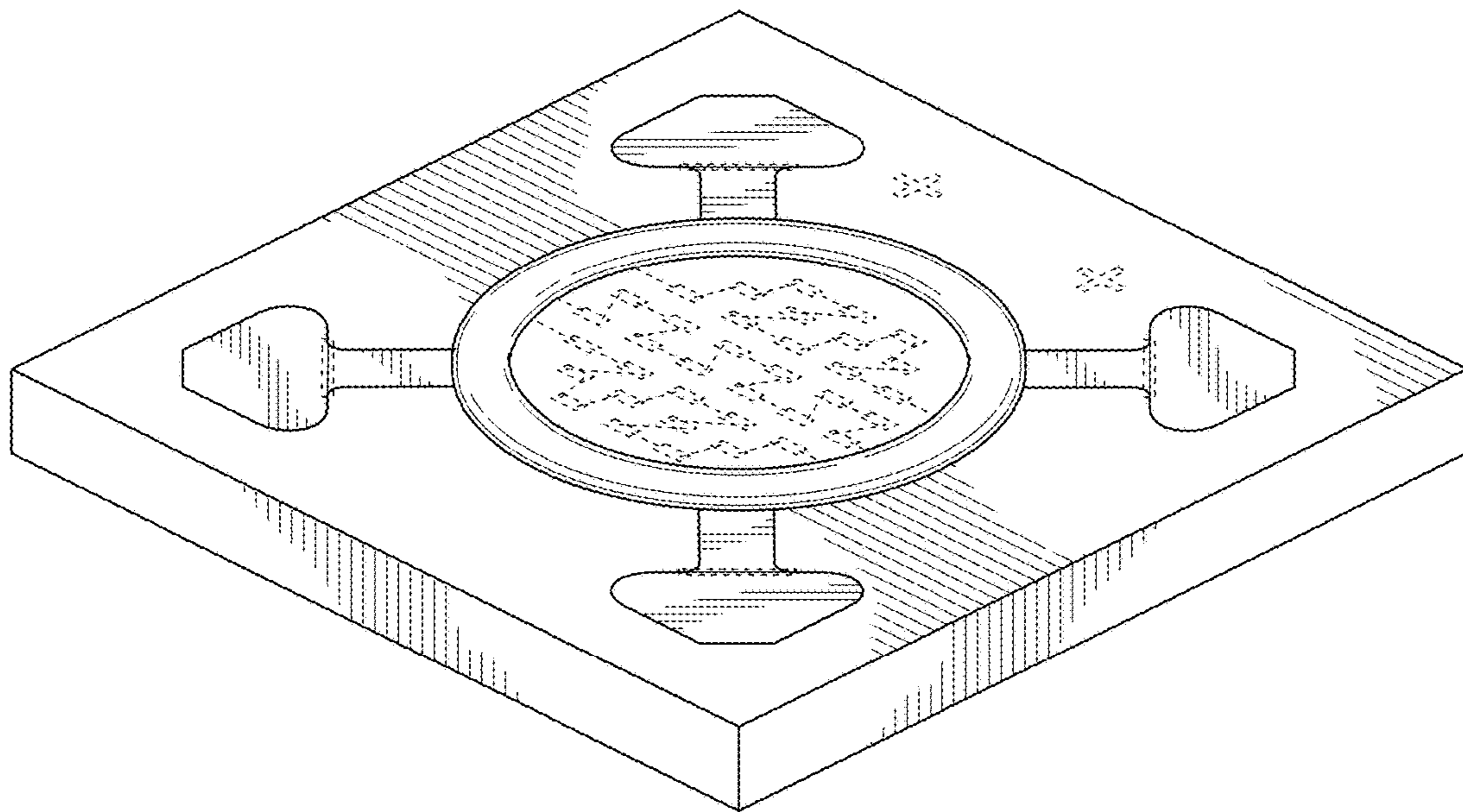


FIG. 37

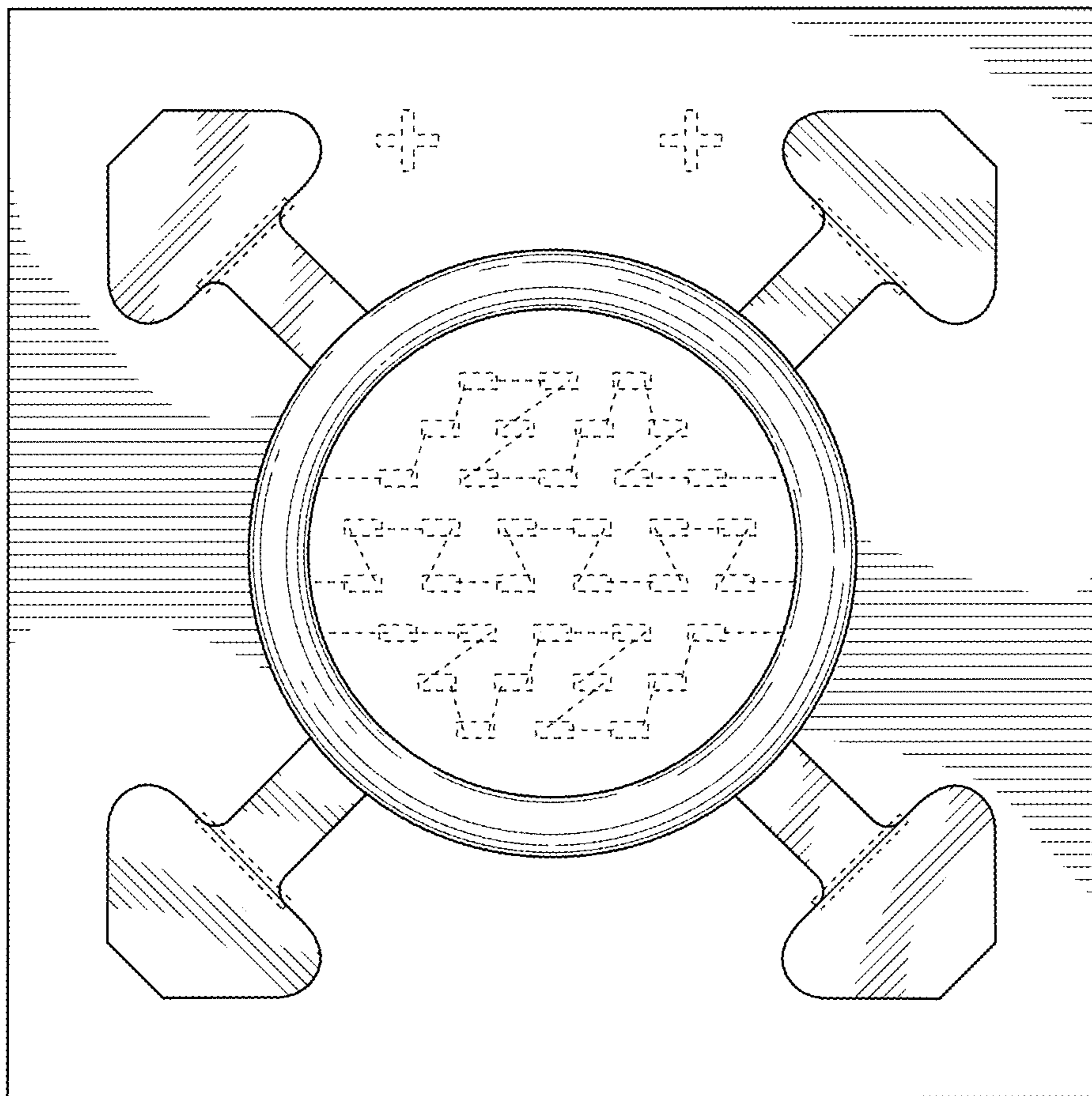


FIG. 38

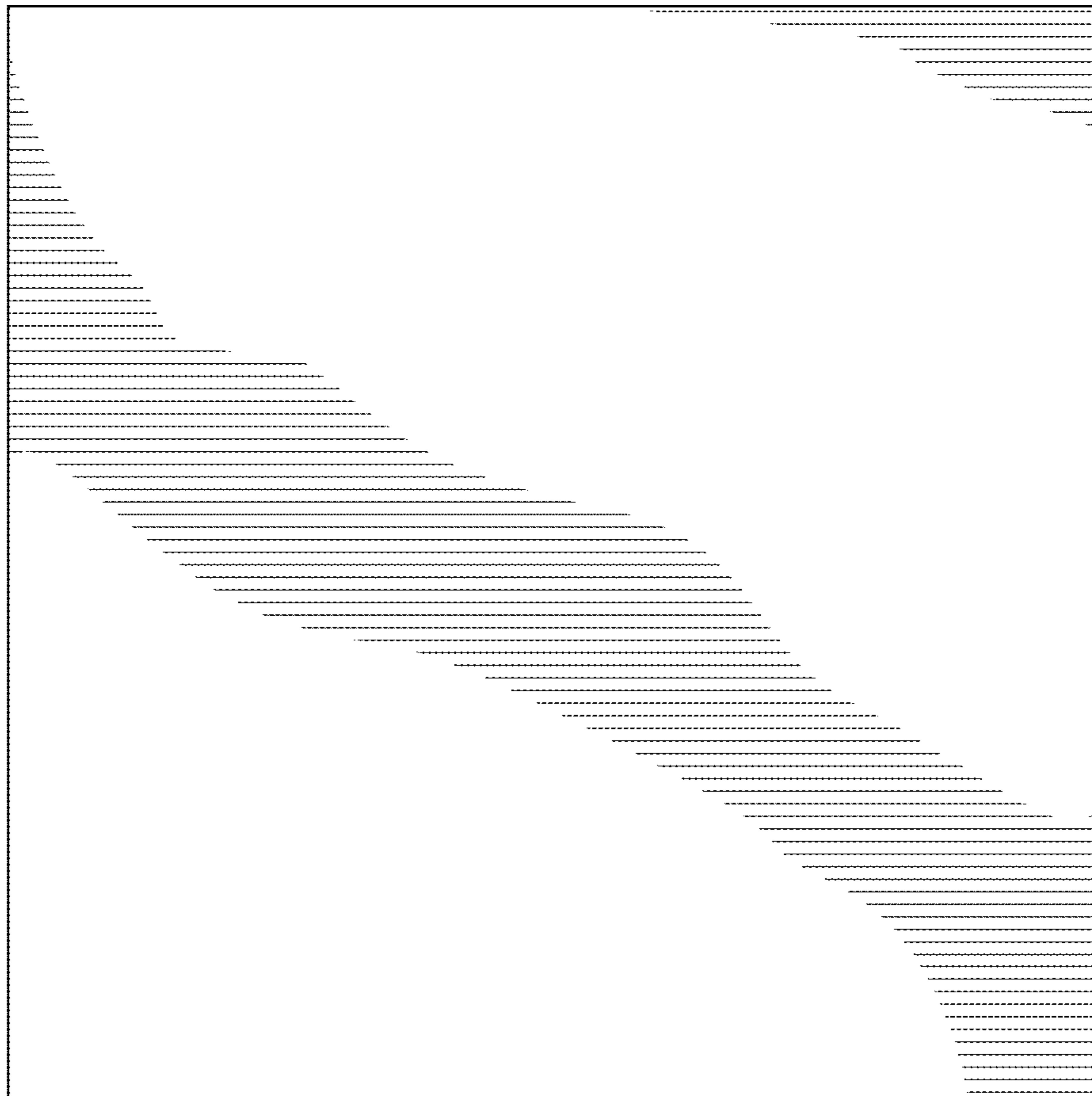


FIG. 39

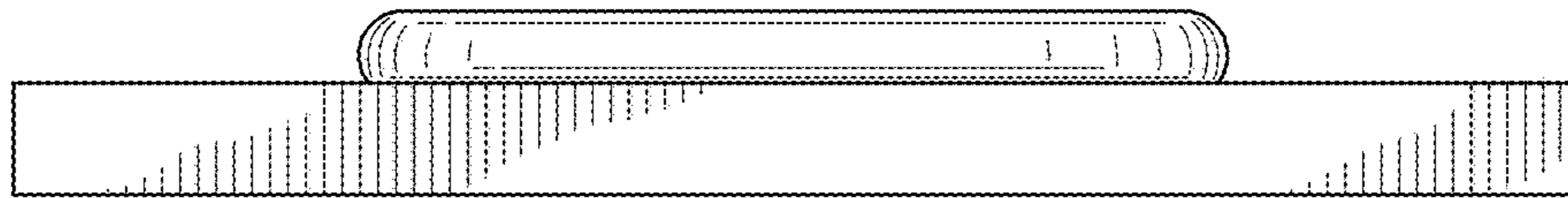


FIG. 40