



US00D823487S

(12) **United States Design Patent**
Peterson et al.

(10) **Patent No.:** **US D823,487 S**
(45) **Date of Patent:** **** Jul. 17, 2018**

(54) **RUBBER CUSHION WITH INTERLOCKING TABS**

(71) Applicants: **Ryan Peterson**, Fontana, CA (US);
Richard Posiviata, Fontana, CA (US)

(72) Inventors: **Ryan Peterson**, Fontana, CA (US);
Richard Posiviata, Fontana, CA (US)

(**) Term: **15 Years**

(21) Appl. No.: **29/550,627**

(22) Filed: **Jan. 5, 2016**

(51) **LOC (11) Cl.** **25-01**

(52) **U.S. Cl.**
USPC **D25/138**

(58) **Field of Classification Search**
USPC D25/138-163, 118; D6/586, 587, 594
CPC E04F 15/107; E04F 15/02038; E04F
15/02177; E04F 2201/0107; E04F
2201/023; E04F 2290/02; E04F 15/02022;
E04F 2015/02094; E04F 2015/02122
See application file for complete search history.

(56) **References Cited**

U.S. PATENT DOCUMENTS

753,791	A *	3/1904	Fulghum	E04F 15/04
					144/354
792,979	A *	6/1905	Fulghum	E04F 15/04
					403/331
2,495,862	A *	1/1950	Osborn	E04B 1/10
					52/578
2,842,237	A *	7/1958	Paulssen	E04C 2/322
					29/453
2,999,431	A	9/1961	Mitchell		
3,462,181	A *	8/1969	Lewis	E04B 1/6137
					403/364
3,699,926	A	10/1972	Stockl		
3,731,445	A *	5/1973	Hoffmann	E04F 15/02
					52/391
3,802,144	A	4/1974	Spica		

3,837,721	A *	9/1974	Manlove	A47B 47/0075
					312/140
3,909,996	A	10/1975	Ettlinger, Jr. et al.		
4,011,696	A *	3/1977	Klein	A47H 1/04
					16/87.4 R
4,018,025	A	4/1977	Collette		
4,287,693	A	9/1981	Collette		
			(Continued)		

OTHER PUBLICATIONS

Terrace + balcony flooring by Warco Rubber Tiles (on-line), dated Sep. 7, 2015. Retrieved from Internet Sep. 11, 2017, URL: <https://web.archive.org/web/20150907163800/https://www.warco-tiles.com/category/terrace-balcony-rubber-tiles> (3 pages).*

Primary Examiner — Vy N Koenig
Assistant Examiner — Kimberly Barnes
(74) *Attorney, Agent, or Firm* — Kirk A. Buhler; Buhler & Associates

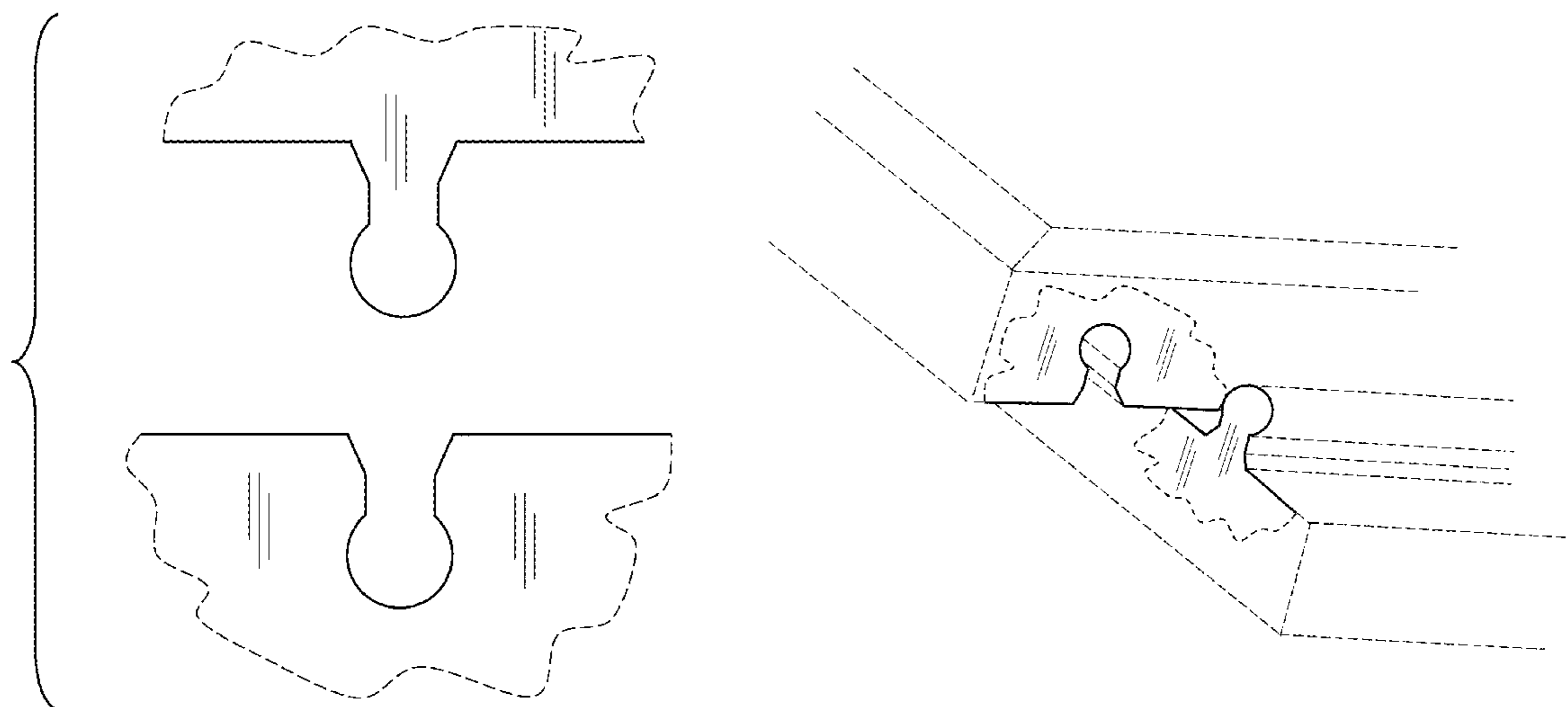
(57) **CLAIM**

The ornamental design for a rubber cushion with interlocking tabs, as shown and described.

DESCRIPTION

FIG. 1 is an exploded front view of a rubber cushion with interlocking tabs, showing our new design;
FIG. 2 is an exploded perspective view showing the top portion rotated slightly backward and the bottom portion rotated slightly forward for clarity of illustration;
FIG. 3 is another exploded perspective view showing the bottom portion rotated farther forward;
FIG. 4 is an exploded right side perspective view thereof;
FIG. 5 is an exploded left side perspective view thereof; and,
FIG. 6 is an isometric view of the interlocking tabs in a position of use on a rubber cushion.
The broken lines depict portions of the rubber cushion with interlocking tabs that form no part of the claimed design.

1 Claim, 6 Drawing Sheets



(56)

References Cited

U.S. PATENT DOCUMENTS

4,436,779 A	3/1984	Menconi et al.	7,392,627 B2 *	7/2008	Sondermann	E04F 19/062 52/395
4,650,180 A	3/1987	Blondel	7,398,622 B2 *	7/2008	Walker	E06B 1/6007 52/204.69
4,858,405 A *	8/1989	Christie	7,543,417 B2 *	6/2009	McIntosh	E04F 15/02044 52/177
		E06B 3/28	7,676,995 B2	3/2010	Vanderhoef	
		52/202	D643,132 S *	8/2011	MacKenzie	D25/126
4,877,672 A *	10/1989	Shreiner	8,485,493 B2 *	7/2013	Wells	E04C 3/34 249/48
		A47L 23/26				
		428/156				
4,930,286 A	6/1990	Kotler	8,650,834 B2	2/2014	DeLong et al.	
5,548,937 A *	8/1996	Shimonohara	2002/0050114 A1 *	5/2002	Friso	E04F 15/04 52/782.1
		F16B 5/0076				
		52/259				
D383,554 S *	9/1997	Hart	2014/0026513 A1 *	1/2014	Bishop	E04F 15/02016 52/589.1
		D25/102				
D384,169 S	9/1997	Leonelli	2015/0110996 A1 *	4/2015	Peavey	B29C 47/025 428/99
6,341,464 B1	1/2002	Dickey et al.	2016/0153199 A1 *	6/2016	Curry	E04D 11/00 52/588.1
D453,576 S	2/2002	Scalzott	2017/0044777 A1 *	2/2017	Peterson	E04F 15/02038
D459,975 S *	7/2002	Dinh				
		D25/119				
D461,012 S	7/2002	Edger				
6,513,862 B2 *	2/2003	Dodson				
		E05D 15/242				
		160/235				
D535,407 S	1/2007	Westphal et al.				
7,225,594 B2 *	6/2007	Karlstrom				
		E04C 3/122				
		144/330				

* cited by examiner

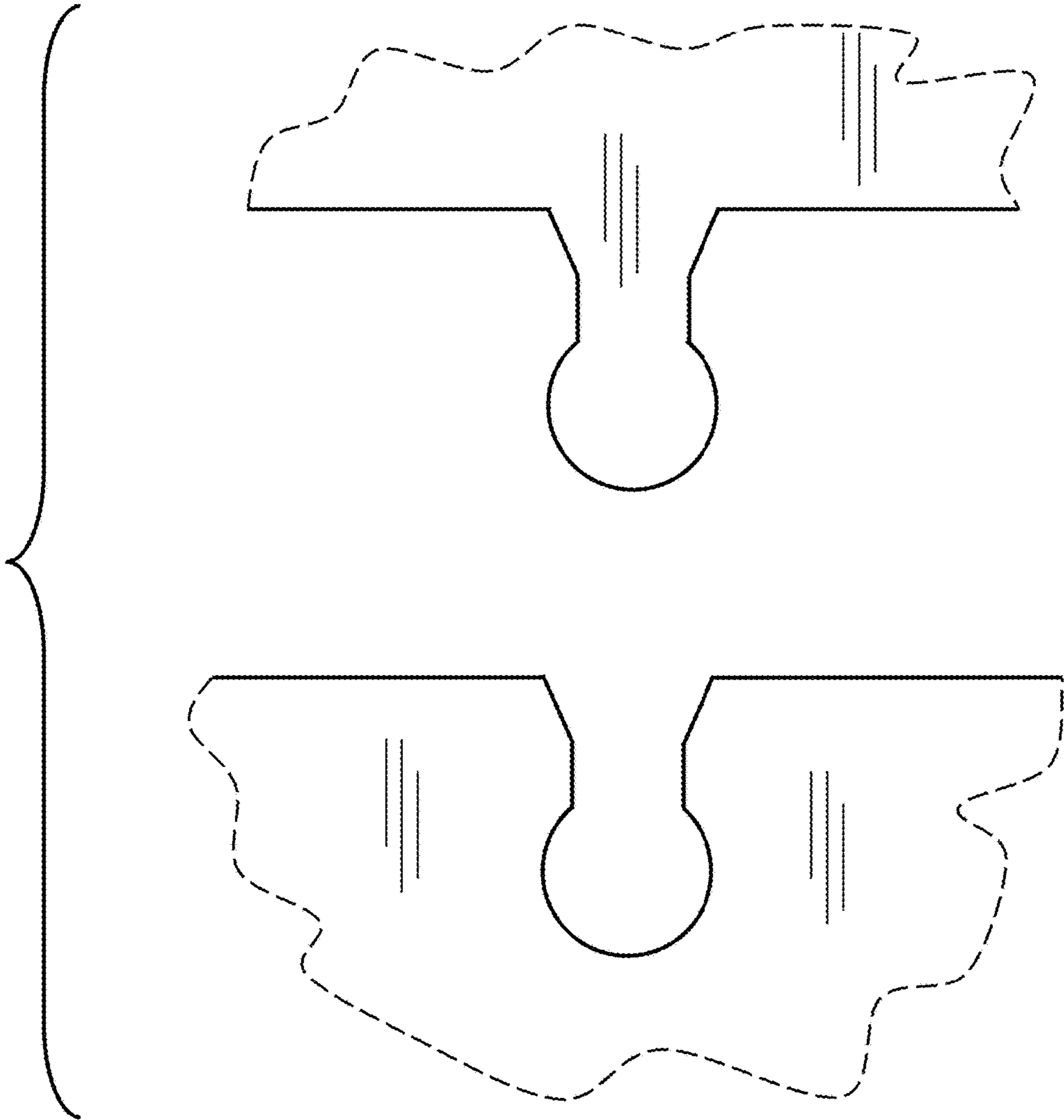


FIG 1

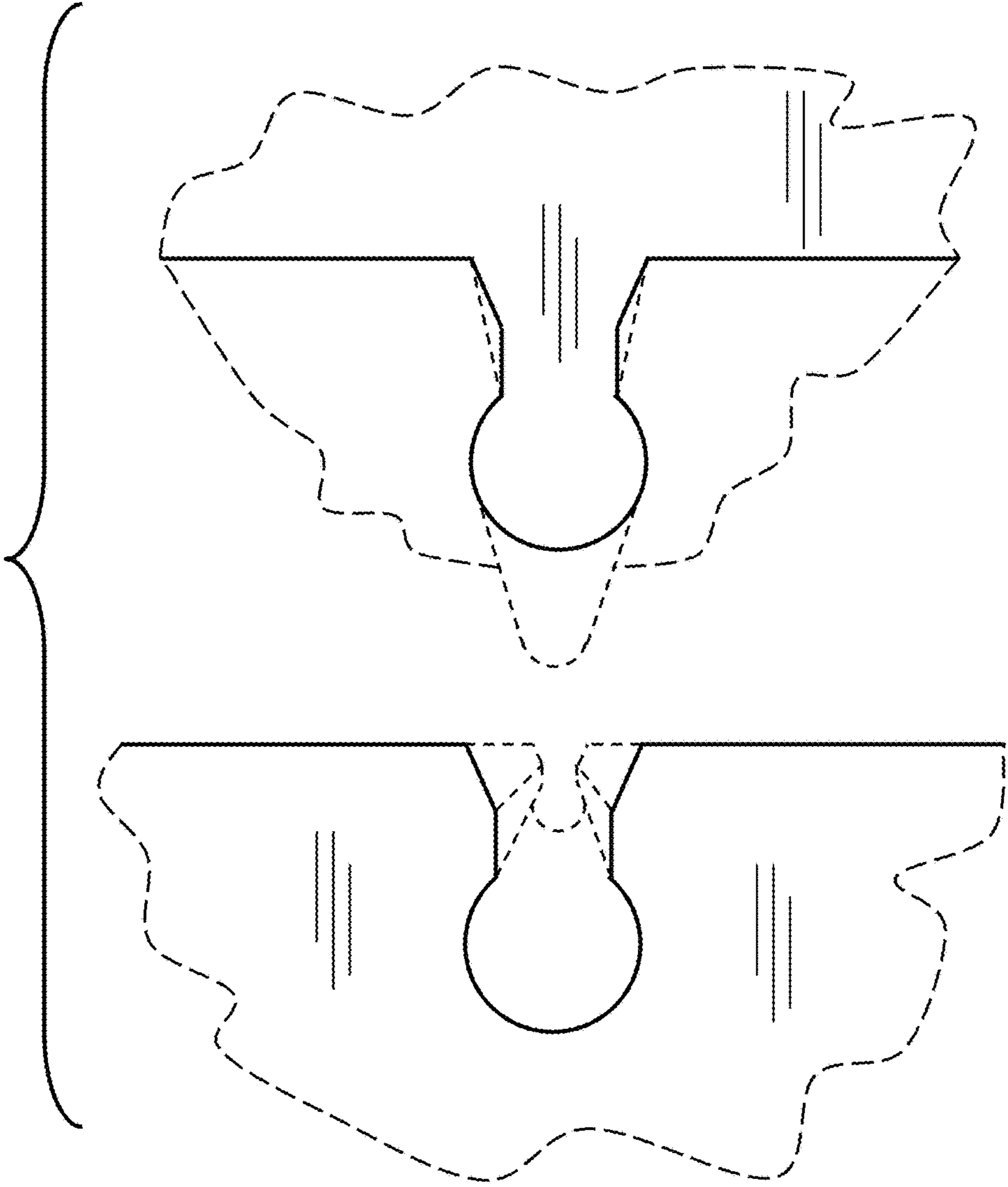


FIG 2

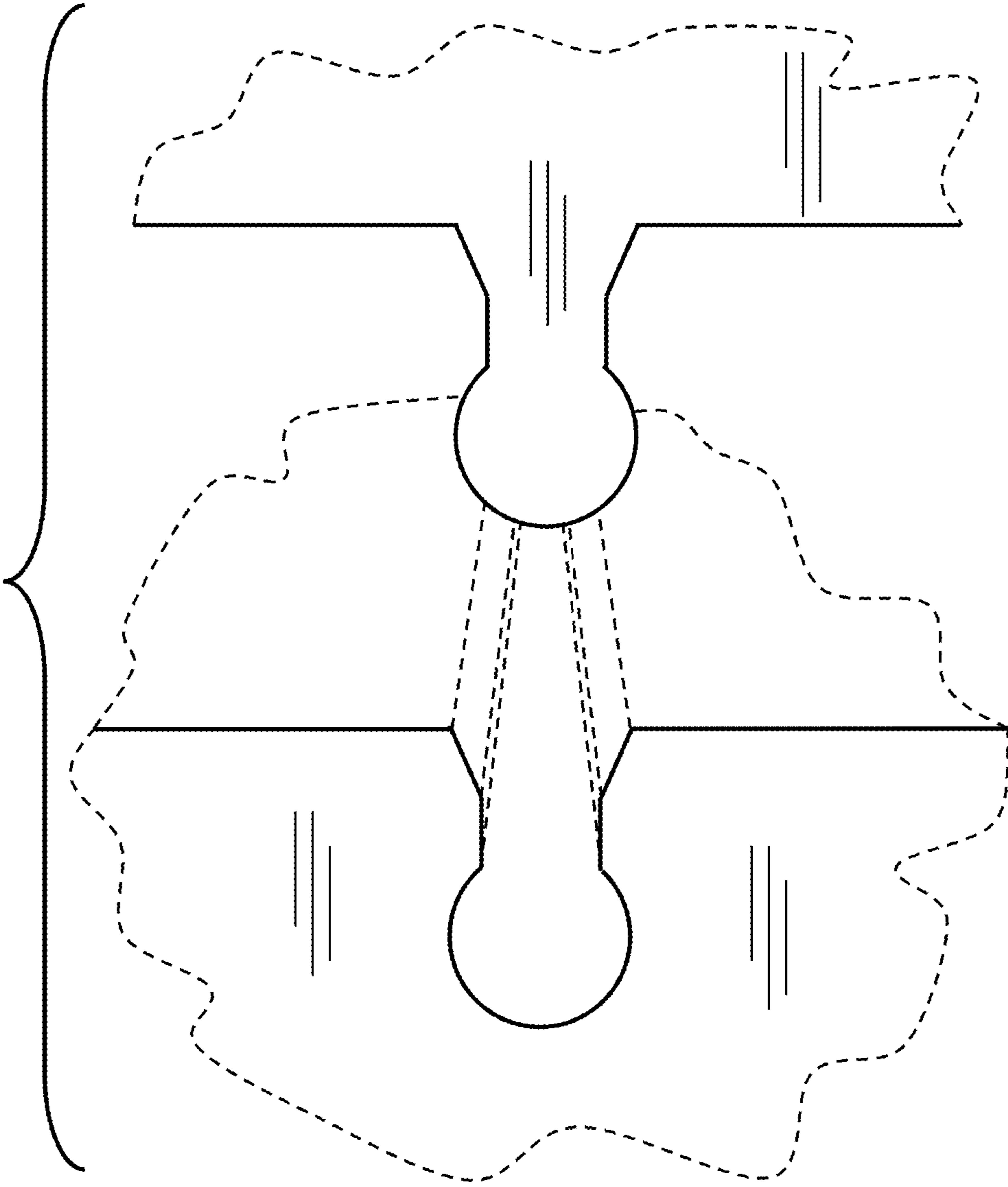


FIG 3

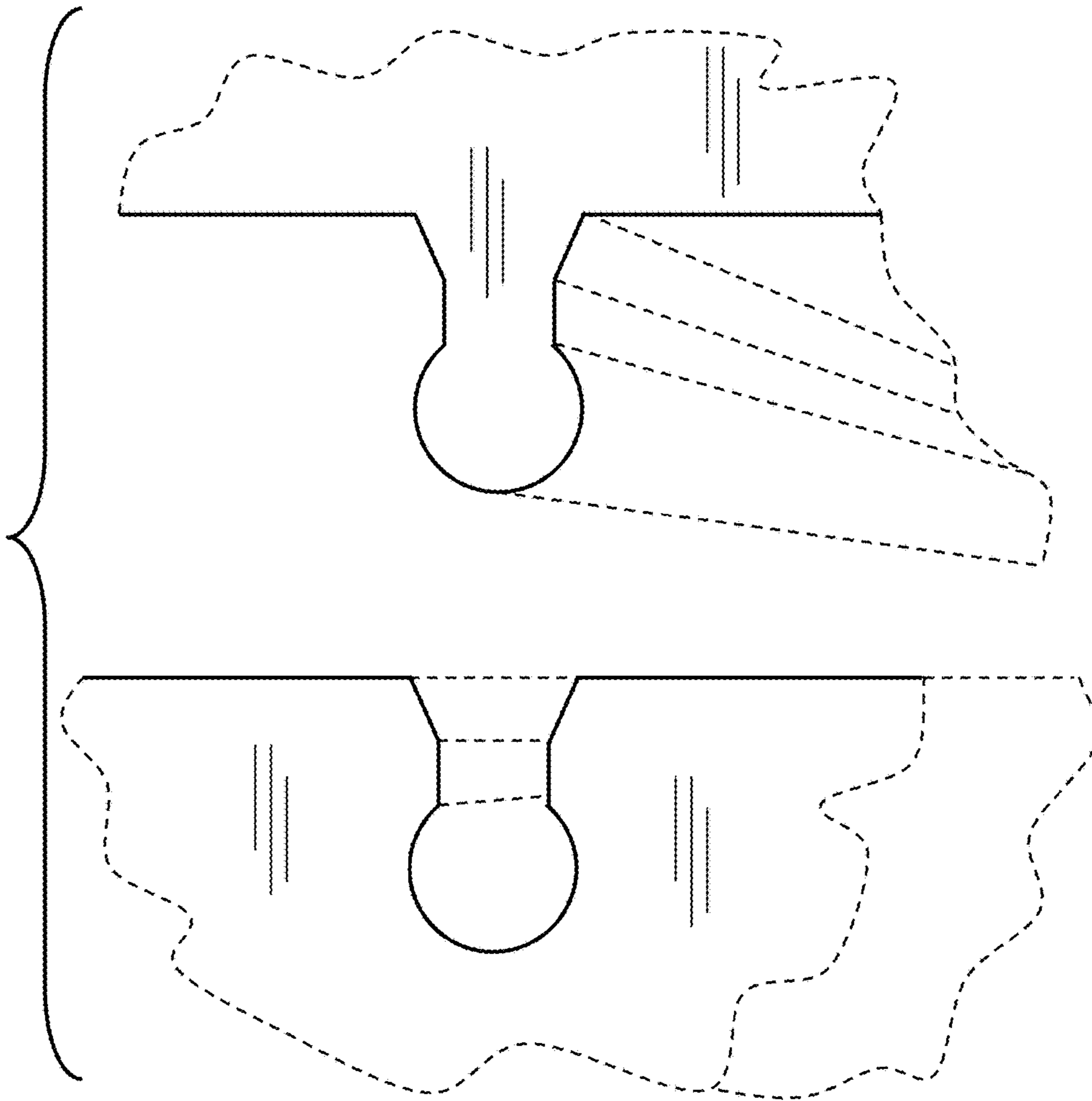


FIG 4

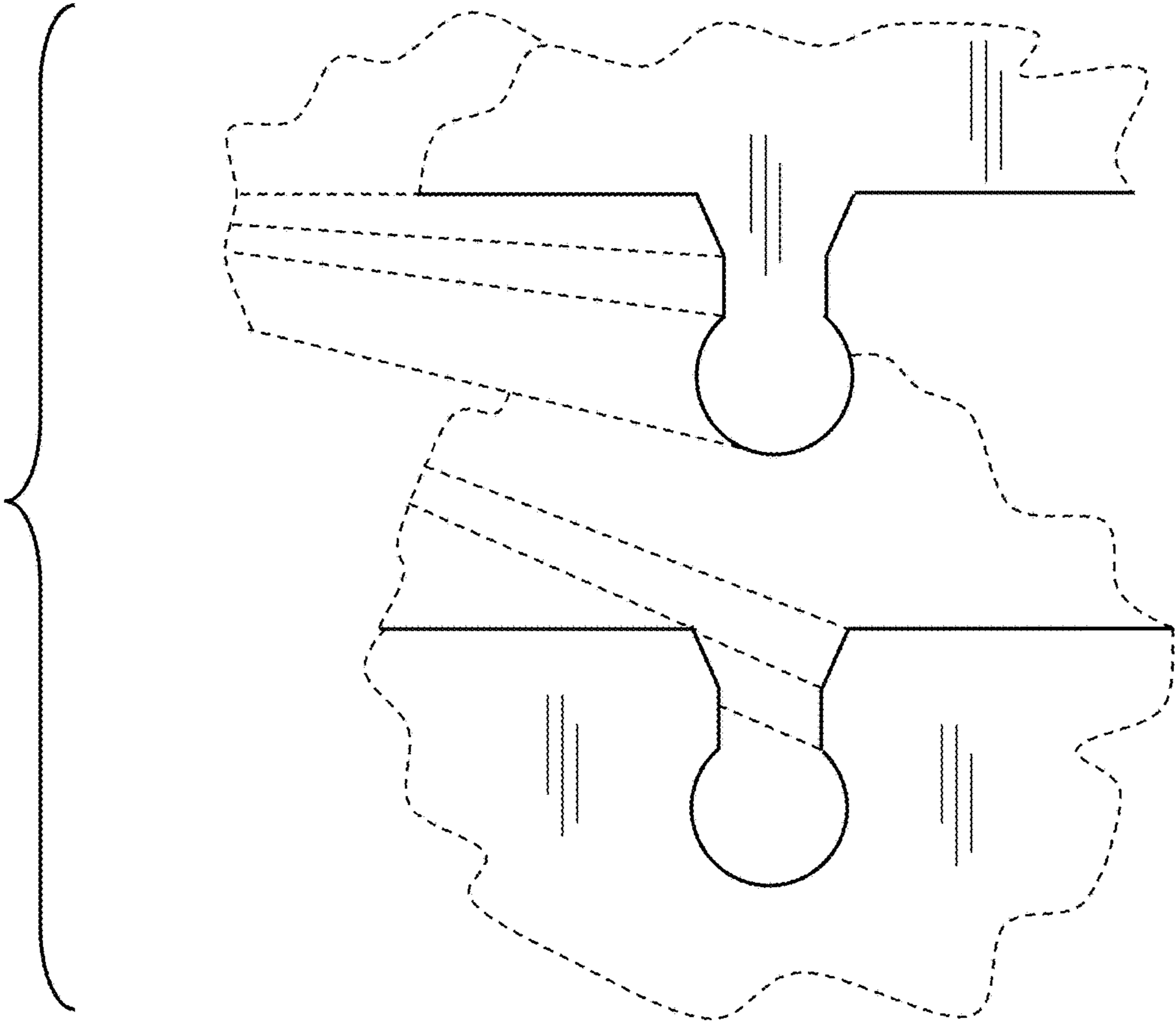


FIG 5

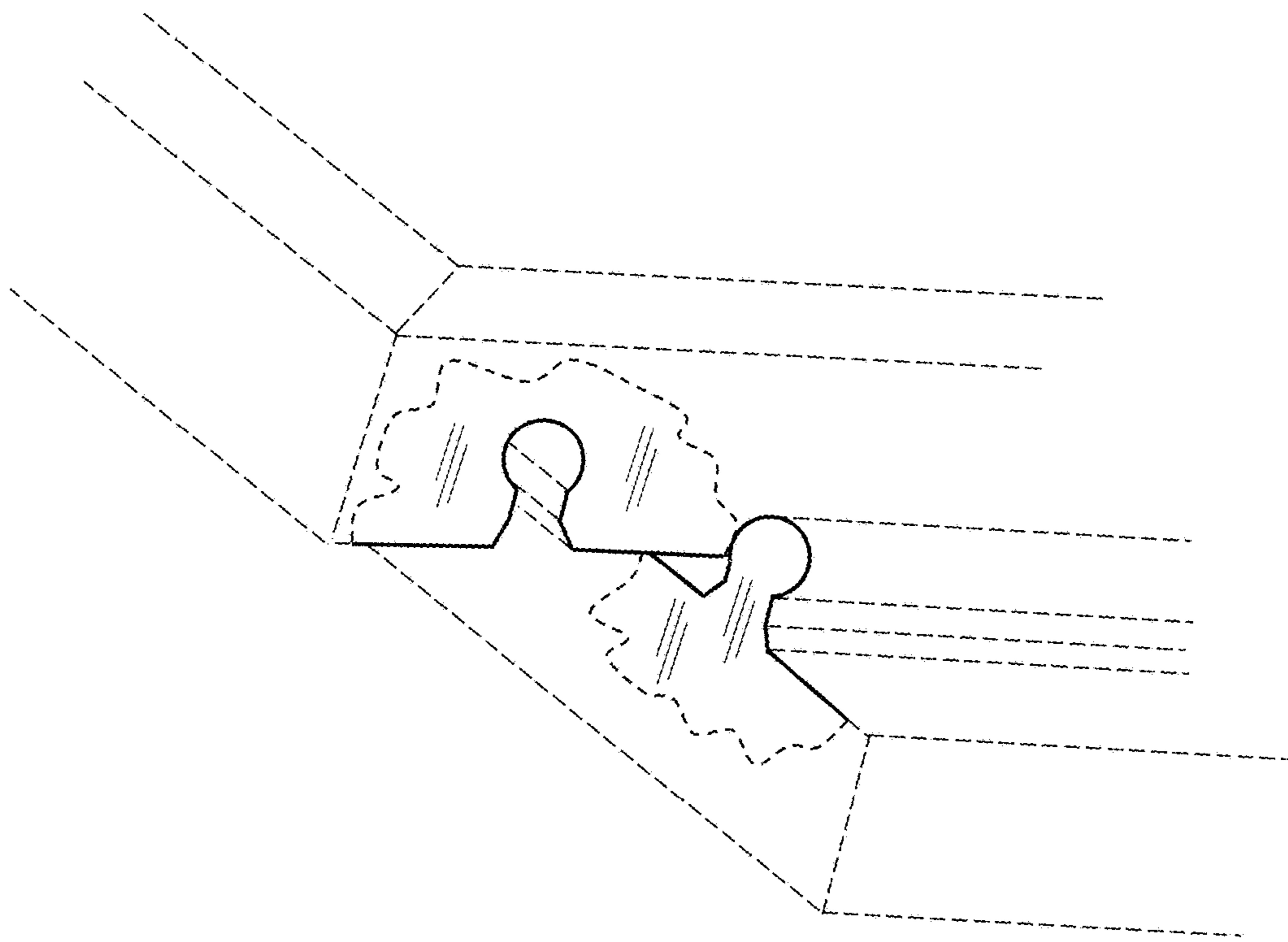


FIG. 6