



US00D823486S

(12) **United States Design Patent**  
**Hassan**

(10) **Patent No.:** **US D823,486 S**  
(45) **Date of Patent:** **\*\* Jul. 17, 2018**

(54) **MULTI-LEVEL UNITARY SAFETY SURFACE TILE**

E01C 13/006; E01B 2/00; E01B 2/72;  
E01B 1/00

See application file for complete search history.

(71) Applicant: **PLAYSAFER SURFACING, LLC**,  
Lakewood, NJ (US)

(56) **References Cited**

(72) Inventor: **Morris Hassan**, Lakewood, NJ (US)

U.S. PATENT DOCUMENTS

(73) Assignee: **Playsafer Surfacing LLC**, Lakewood,  
NJ (US)

D186,200 S *	9/1959	Oppenheimer .....	D28/8.1
3,037,592 A *	6/1962	Shipley .....	B64C 3/00 156/197
D196,150 S *	8/1963	Weiss .....	D9/456
D208,067 S *	7/1967	Heirich .....	D25/141
D244,545 S	5/1977	Tellman et al.	
D244,548 S	5/1977	Tellman et al.	
D244,549 S	5/1977	Tellman et al.	
D259,010 S *	4/1981	Klatt .....	D7/359
RE31,345 E *	8/1983	Schwartzkopf .....	A01K 1/0157 119/526
D272,093 S	1/1984	Fish	

(Continued)

(\*\*) Term: **15 Years**

(21) Appl. No.: **29/542,215**

(22) Filed: **Oct. 12, 2015**

(51) **LOC (11) Cl.** ..... **25-01**

(52) **U.S. Cl.**

USPC ..... **D25/138**

(58) **Field of Classification Search**

USPC ..... D25/55, 56, 60, 112, 113, 115, 118, 119,  
D25/126, 136, 138, 141, 142, 143, 153,  
D25/157, 158, 159, 163; D6/546, 672,  
D6/675, 678.2; D7/357, 504, 561, 566,  
D7/568, 601, 611, 615, 631, 701;  
D9/424, 425, 434, 455, 456, 749, 761,  
D9/762; D30/119, 120, 131; D19/75,  
D19/86, 91

CPC ..... E04B 2001/386; E04B 2/707; E04B 1/70;  
E04B 1/7076; E04B 1/7038; E04B 9/00;  
E04B 9/008; E04F 13/0869; E04F  
13/007; E04C 2002/001; E04C 2002/005;  
E04C 2/46; E04C 2/243; B32B 2471/00;  
B32B 2419/04; B32B 2250/02; B32B  
2250/246; B32B 27/08; B32B 27/302;  
B32B 7/12; B32B 3/06; B32B 3/266;  
B32B 3/30; E01C 13/00; E01C 13/003;

FOREIGN PATENT DOCUMENTS

DE	2157544 A1 *	5/1973	.....	E04C 2/044
DE	102004059590 A1 *	6/2006	.....	E04B 5/18

(Continued)

*Primary Examiner* — Jennifer Rivard

*Assistant Examiner* — Catherine S Posthauer

(74) *Attorney, Agent, or Firm* — Weiss & Arons LLP

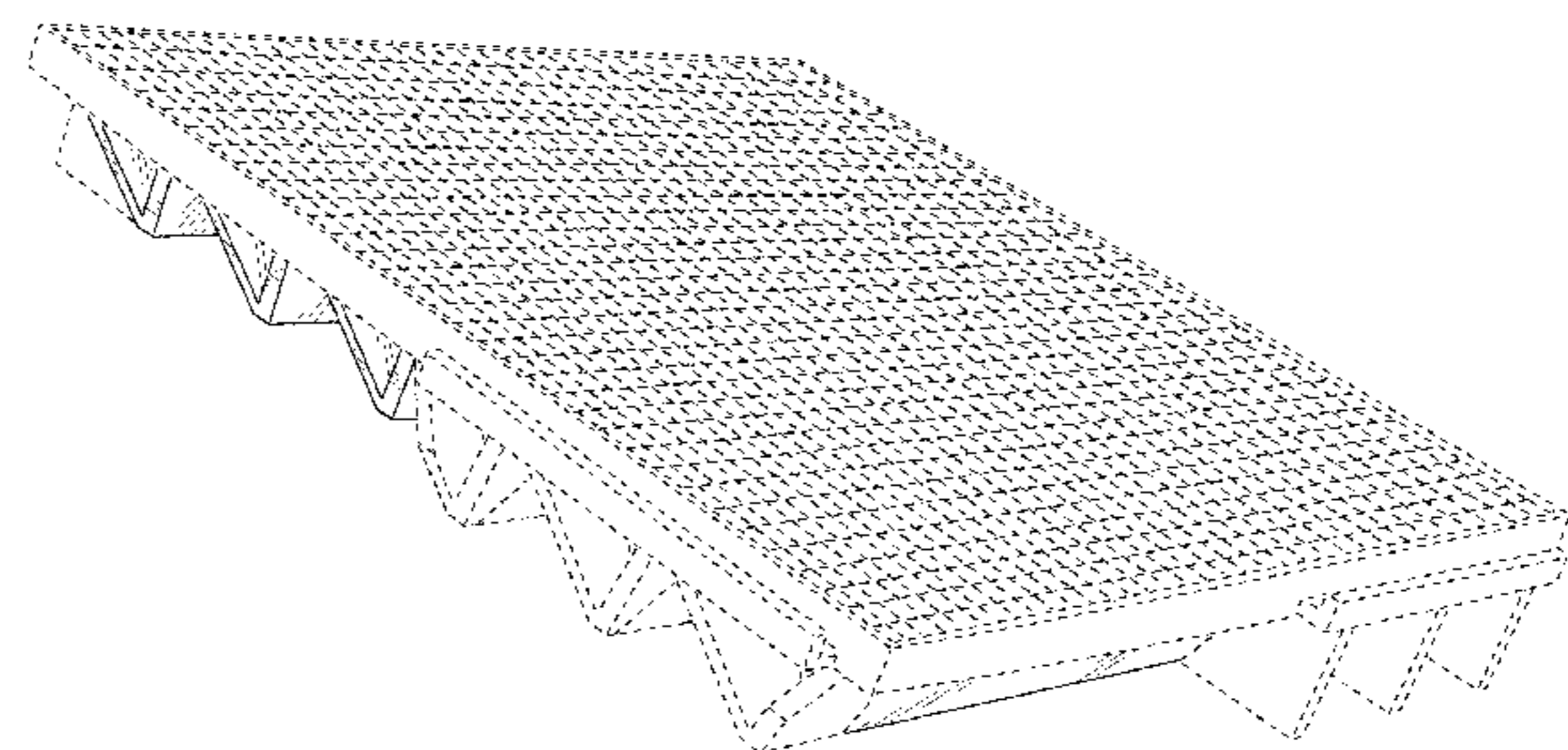
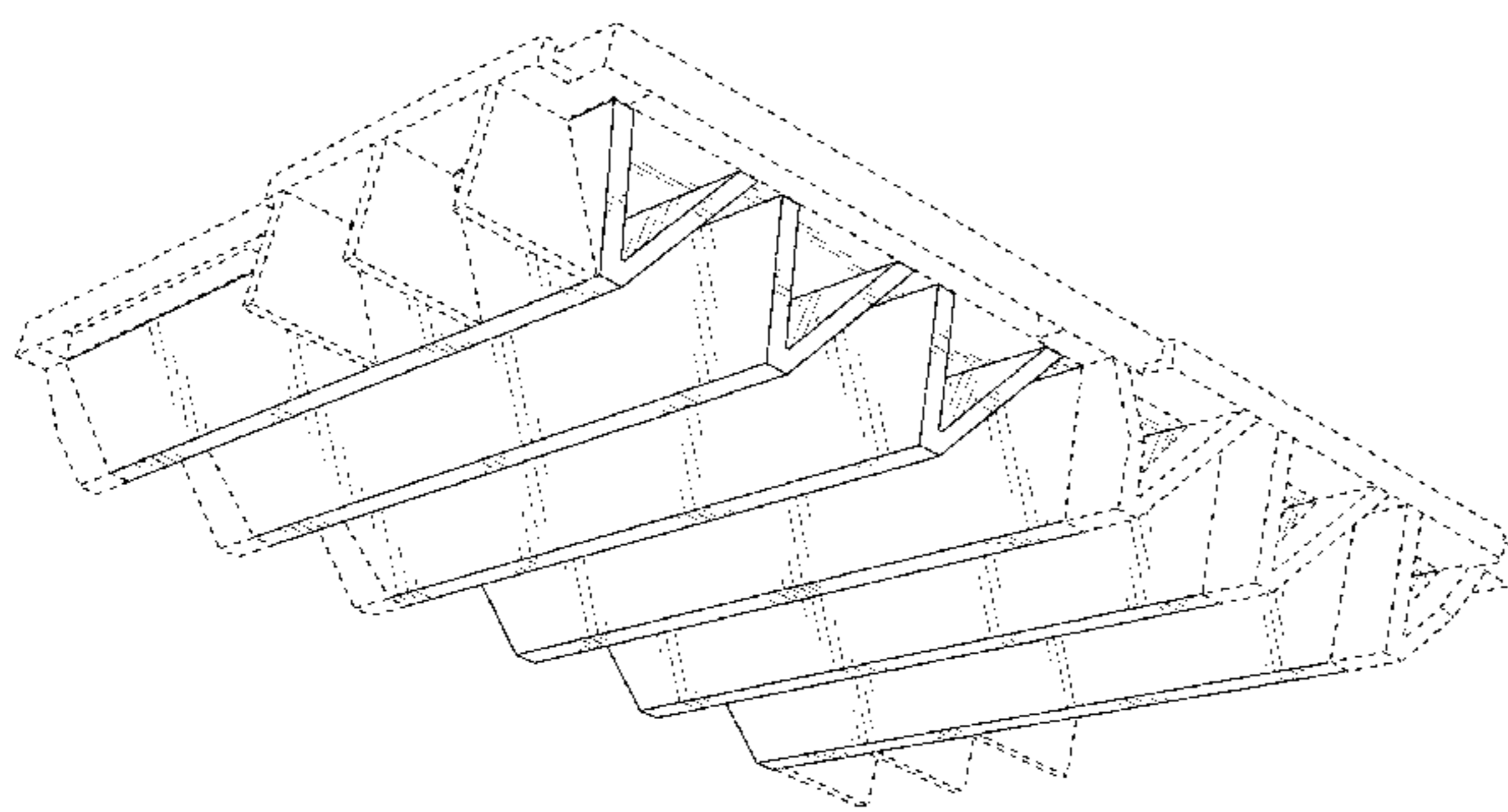
(57) **CLAIM**

The ornamental design for a multi-level unitary safety surface tile, as shown and described.

**DESCRIPTION**

FIG. 1 is a bottom perspective view of a multi-level unitary safety surface tile showing my new design;  
FIG. 2 is a top perspective view thereof;  
FIG. 3 is a front elevational view thereof, being a mirror-image of a back elevation view thereof;  
FIG. 4 is a right elevational view thereof, being a mirror-image of a left elevation view thereof;  
FIG. 5 is a top plan view thereof; and,  
FIG. 6 is a bottom plan view thereof.

(Continued)



The broken lines are shown for the purpose of illustrating parts of the design that form no part of the claim.

**1 Claim, 5 Drawing Sheets**

(56)

**References Cited**

U.S. PATENT DOCUMENTS

D273,136 S 3/1984 Varela  
 D273,137 S 3/1984 Varela  
 4,601,936 A \* 7/1986 Ghavamikia ..... B29C 37/0053  
 428/119  
 D301,013 S \* 5/1989 Creaden ..... D9/456  
 D311,339 S \* 10/1990 Weed ..... D7/359  
 D332,571 S \* 1/1993 Creaden ..... D9/434  
 D337,834 S 7/1993 Kearns  
 D339,706 S 9/1993 Marostica  
 D340,536 S 10/1993 Adolfsson  
 5,848,769 A \* 12/1998 Fronck ..... B29D 7/00  
 244/200  
 5,894,045 A 4/1999 Desrondiers  
 D415,580 S 10/1999 Keating et al.  
 D430,069 S 8/2000 Collie, Jr. et al.  
 D440,327 S 4/2001 Keating et al.  
 D451,214 S 11/2001 Gollob et al.  
 D453,577 S 2/2002 Ohanesian  
 D453,847 S 2/2002 Ohanesian  
 D470,053 S \* 2/2003 Gratz ..... D9/456  
 D474,958 S 5/2003 Perdue  
 D485,756 S \* 1/2004 Apps ..... D9/434  
 D499,607 S \* 12/2004 Lyon ..... D7/504  
 D518,720 S \* 4/2006 Gratz ..... D9/456  
 D552,766 S 10/2007 Kaump  
 D578,668 S 10/2008 Delmestri et al.  
 D578,669 S 10/2008 Kaump  
 D579,128 S 10/2008 Kaump  
 D582,574 S 12/2008 Mackenzie  
 D608,473 S 1/2010 Larson  
 D631,352 S \* 1/2011 Gilfert ..... D9/456  
 D644,347 S 8/2011 Prins  
 D667,144 S 9/2012 Else  
 D670,560 S \* 11/2012 Amend ..... D9/456  
 D677,404 S 3/2013 Griffiths  
 D679,031 S 3/2013 Amend  
 8,402,715 B2 3/2013 Uhllg et al.  
 D679,838 S 4/2013 Amend  
 D707,855 S \* 6/2014 McCallum ..... D25/119  
 8,915,339 B2 12/2014 Kanous et al.  
 D723,718 S 3/2015 Gray  
 D729,951 S 5/2015 Narbonne  
 9,038,342 B2 \* 5/2015 Hassan ..... E01C 13/00  
 52/403.1  
 D739,962 S 9/2015 Zuo  
 D739,964 S 9/2015 Zuo  
 D746,486 S 12/2015 Bilge  
 D746,487 S 12/2015 Bilge  
 D747,005 S 1/2016 Bilge  
 D748,824 S 2/2016 Persons, Jr. et al.  
 D754,884 S \* 4/2016 Hassan ..... D25/138

D756,539 S \* 5/2016 Hassan ..... D25/138  
 D783,184 S 4/2017 Kilian et al.  
 D784,562 S 4/2017 Kilian et al.  
 D785,212 S 4/2017 Kilian et al.  
 D791,981 S 7/2017 Kilian et al.  
 D792,986 S 7/2017 Kilian et al.  
 D799,070 S \* 10/2017 Hassan ..... D25/138  
 9,790,646 B2 \* 10/2017 Sawyer ..... E01C 13/02  
 D802,166 S \* 11/2017 von Langsdorff ..... D25/113  
 2004/0126541 A1 \* 7/2004 Dietz ..... B32B 27/08  
 428/167  
 2004/0140047 A1 \* 7/2004 Sato ..... A61F 13/15707  
 156/205  
 2004/0233654 A1 11/2004 Lin et al.  
 2007/0297702 A1 \* 12/2007 Zaggia ..... B32B 3/263  
 383/200  
 2009/0038883 A1 2/2009 Kim  
 2009/0274876 A1 \* 11/2009 Liou ..... B32B 3/30  
 428/167  
 2010/0255259 A1 \* 10/2010 Baldovino ..... B32B 3/28  
 428/163  
 2010/0284740 A1 \* 11/2010 Sawyer ..... E01C 3/006  
 404/70  
 2013/0118114 A1 5/2013 Brailsford et al.  
 2013/0240232 A1 \* 9/2013 Benslimane ..... F16J 15/104  
 174/50  
 2014/0130318 A1 \* 5/2014 Rohr ..... B32B 7/12  
 29/17.2  
 2014/0169877 A1 \* 6/2014 Reising ..... E01C 13/00  
 404/27  
 2014/0186112 A1 \* 7/2014 Hassan ..... E01C 13/00  
 404/28  
 2015/0014589 A1 \* 1/2015 Kim ..... C09K 11/025  
 252/301.34  
 2015/0027514 A1 \* 1/2015 Furutani ..... E04C 2/324  
 136/251  
 2015/0186112 A1 7/2015 Huang  
 2015/0273787 A1 \* 10/2015 Nansen ..... B32B 3/12  
 428/116  
 2015/0292199 A1 \* 10/2015 Federici ..... B32B 15/046  
 428/141  
 2015/0323704 A1 \* 11/2015 Nishimura ..... G02B 1/118  
 359/601  
 2016/0208497 A1 \* 7/2016 Yang ..... B32B 3/06  
 2017/0028653 A1 \* 2/2017 Wilson ..... B29C 70/543  
 2017/0101788 A1 \* 4/2017 Hassan ..... E04F 15/02038  
 2017/0115433 A1 \* 4/2017 Kim ..... B32B 7/12  
 2017/0203536 A1 \* 7/2017 Nakayama ..... B32B 17/10  
 2017/0205546 A1 \* 7/2017 Wada ..... B32B 7/02  
 2017/0226706 A1 \* 8/2017 Sawyer ..... E01C 13/045  
 2017/0226707 A1 \* 8/2017 Hassan ..... A63C 19/04  
 2017/0297293 A1 \* 10/2017 Kuroda ..... B32B 7/02  
 2017/0348944 A1 \* 12/2017 Sonoda ..... B32B 3/30

FOREIGN PATENT DOCUMENTS

FR 405629 A \* 1/1910 ..... E04B 9/00  
 WO WO-8902505 A1 \* 3/1989 ..... E01B 1/00  
 WO WO-2005071176 A1 \* 8/2005 ..... E04B 1/7069  
 WO WO-2012108380 A1 \* 8/2012 ..... H02G 9/04

\* cited by examiner

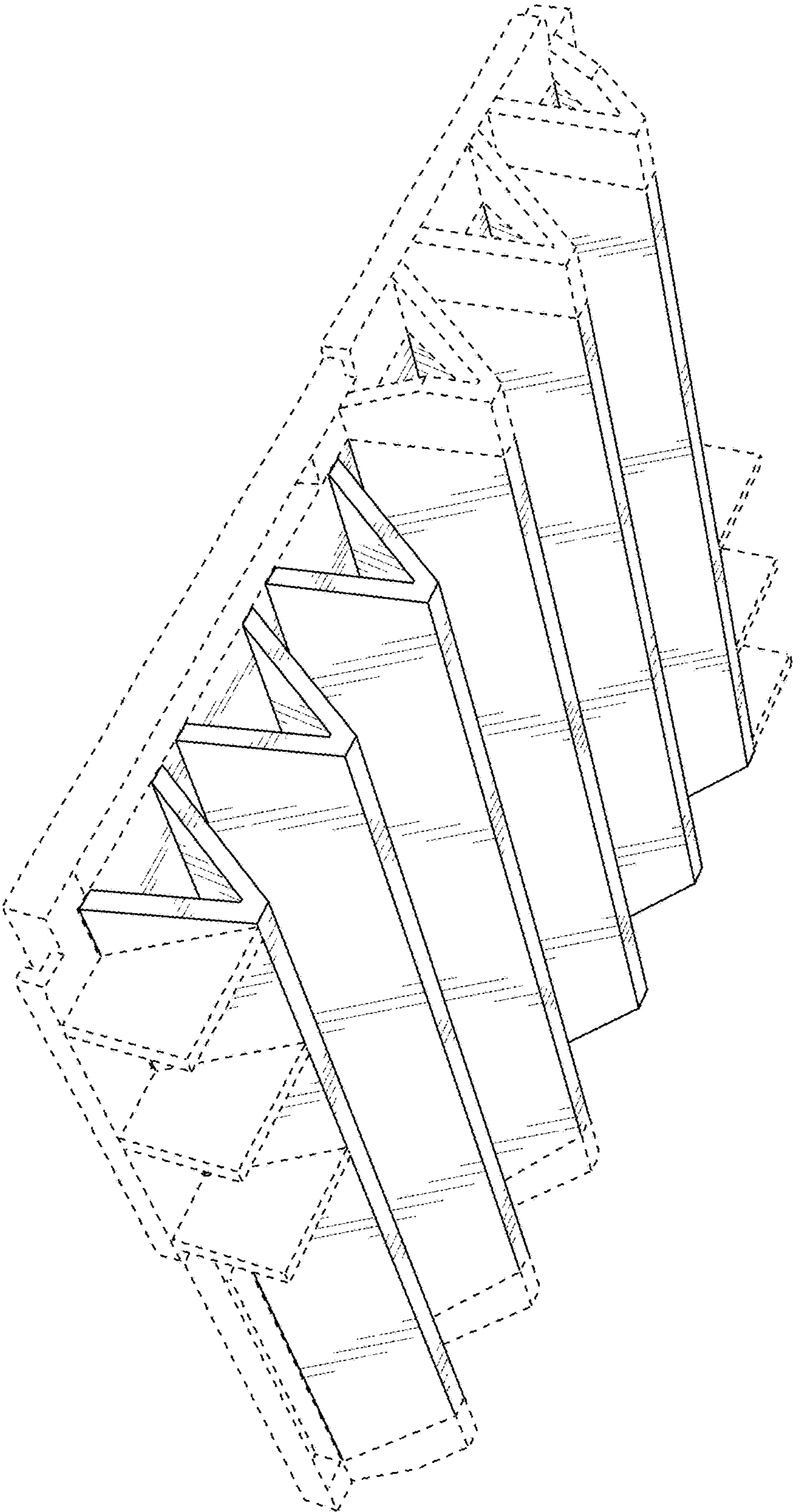


FIG. 1

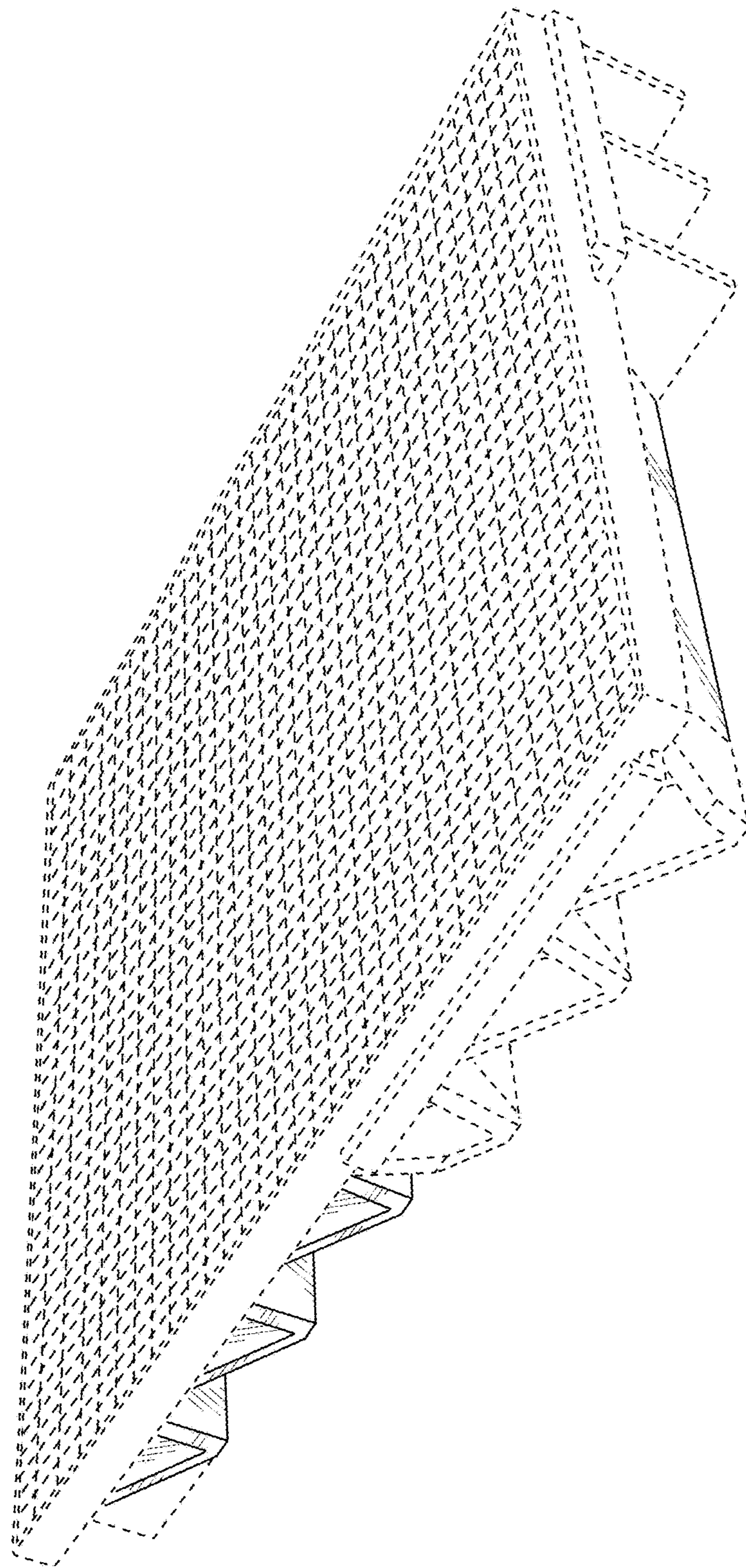


FIG. 2

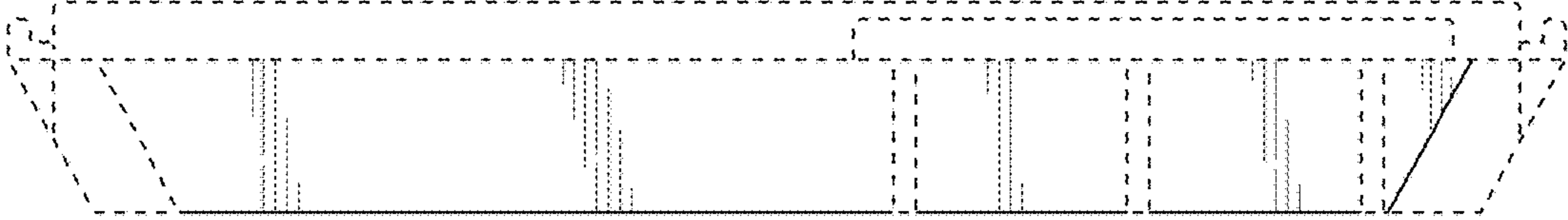


FIG. 3

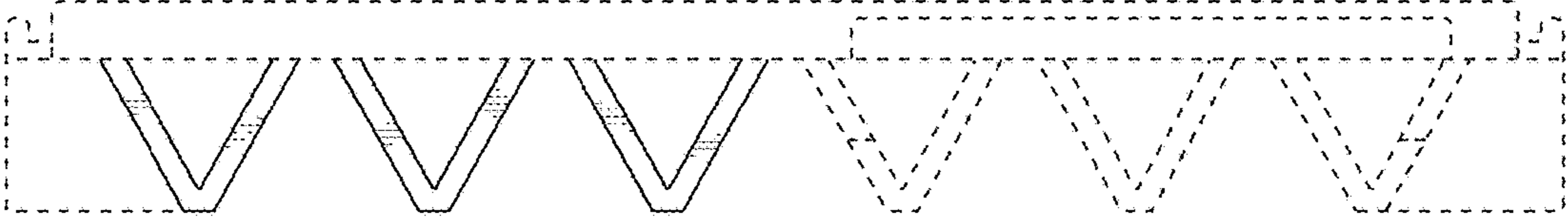


FIG. 4

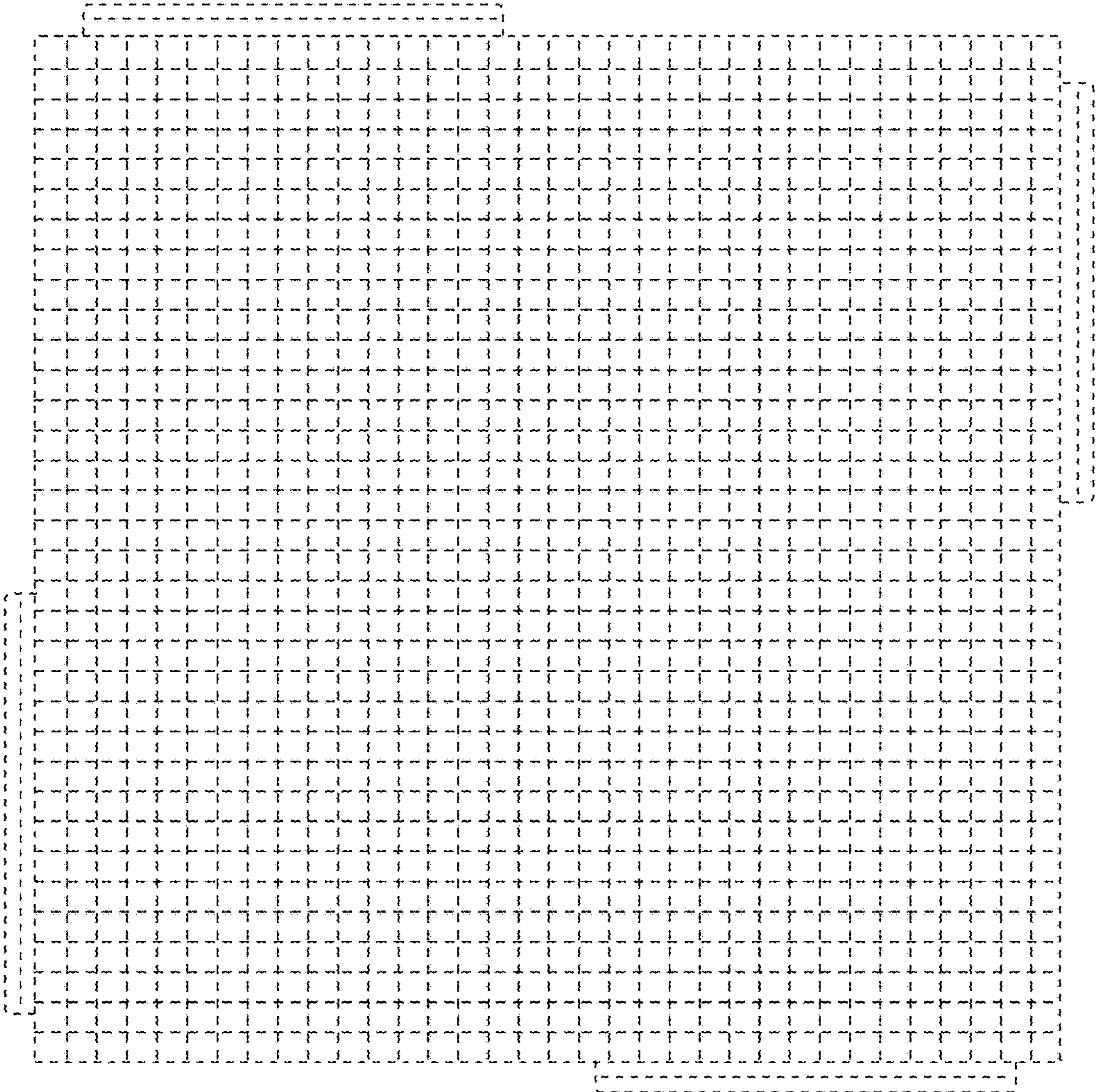


FIG. 5

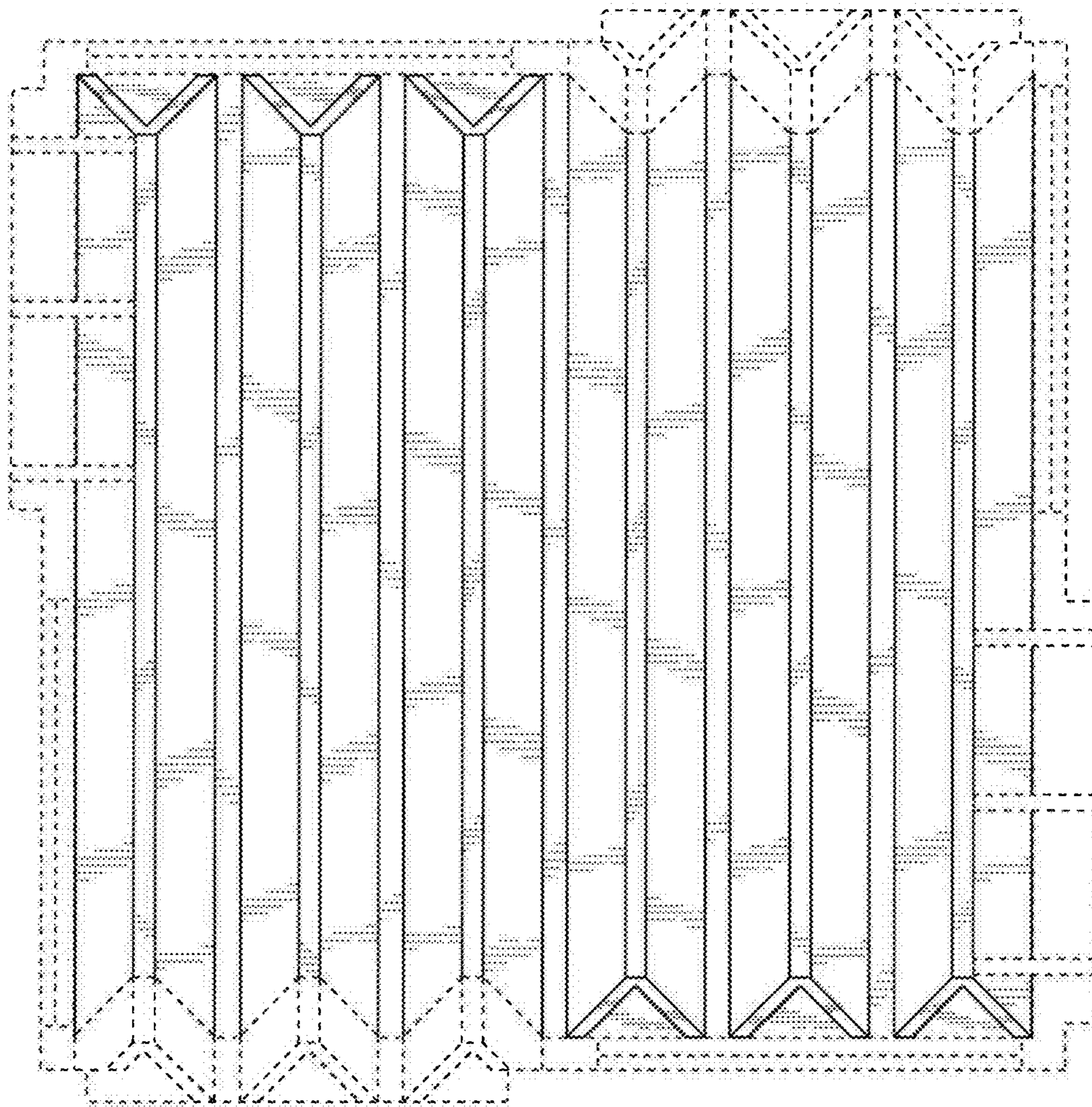


FIG. 6