



US00D823484S

(12) **United States Design Patent**
Wuensch

(10) **Patent No.:** **US D823,484 S**
(45) **Date of Patent:** **** Jul. 17, 2018**

(54) **OPTIMIZING ELEMENT FOR SHEET PILES**

(71) Applicant: **W Engineering GmbH**, Rosshaupten (DE)

(72) Inventor: **Achim Wuensch**, Rosshaupten (DE)

(73) Assignee: **W ENGINEERING GmbH**, Rosshaupten (DE)

(**) Term: **15 Years**

(21) Appl. No.: **29/580,651**

(22) Filed: **Oct. 11, 2016**

(51) **LOC (11) Cl.** **08-08**

(52) **U.S. Cl.**
USPC **D25/119**; D8/382

(58) **Field of Classification Search**
USPC D25/119–126, 131–137, 164, 199;
D12/223, 400; D34/35; D20/42–44;
D26/138; D8/349, 354, 376, 377, 378,
D8/380, 381, 382; D6/702, 709, 712,
D6/719

CPC ... E04C 3/00; E04C 3/005; E04C 3/02; E04C 3/04; E04C 3/12; E04C 3/20; E04C 3/28; E04C 3/30; E04F 19/02; E04F 19/022; E04F 19/026; E04F 19/028; E04F 19/04; E04F 19/0436; E04F 19/0481; E04F 19/0486; E04F 19/06; E04F 19/061; E06B 1/00; E06B 1/006; E06B 1/02; E06B 1/04; E06B 1/045; E06B 1/12; E06B 1/16; E06B 1/34; E06B 1/342; E06B 1/345; E06B 1/347; E06B 1/36; E06B 1/363; E06B 1/366; E06B 1/38; E06B 1/40; E06B 1/52; E06B 1/522; E06B 1/524; E06B 1/526; E06B 1/528; E06B 1/56; E06B 1/60; E06B 1/6092; E06B 1/62; E06B 1/70; E06B 1/702; E06B 1/705; E06B 1/707; E04B 2/00; E04B 2/74; E04B 2/76; E04B 2/761; E04B 2/762; E04B 2/763; E04B 2/764; E04B 2/765; E04B 2/7854; E04B 2/7863;

E04B 2/7872; E04B 2/7881; E04B 2/789; E04B 2001/2436; E04B 2001/2439; E04B 2001/2442; E04B 2001/2445; E04B 2001/2448; E04B 2001/2451; E04B 2001/2454; E04B 2001/2457; E04B 2001/246; E04B 2001/2463; E02D 5/02; E02D 5/03; E02D 5/04; E02D 5/06; E02D 5/08; E02D 5/10; E02D 5/105; E02D 5/12; E02D 5/14; E02D 5/16; E02D 5/22; E02D 5/24

See application file for complete search history.

(56) **References Cited**

U.S. PATENT DOCUMENTS

976,573 A * 11/1910 Jones E02D 5/04
405/278
1,003,777 A * 9/1911 Neilson E02D 5/04
405/281
1,005,514 A * 10/1911 Conkling E02D 5/04
405/278

(Continued)

Primary Examiner — Cynthia Ramirez

Assistant Examiner — L. Martinez-Rivera

(74) *Attorney, Agent, or Firm* — Karl F. Milde, Jr.; Eckert Seamans Cherin & Mellott, LLC

(57) **CLAIM**

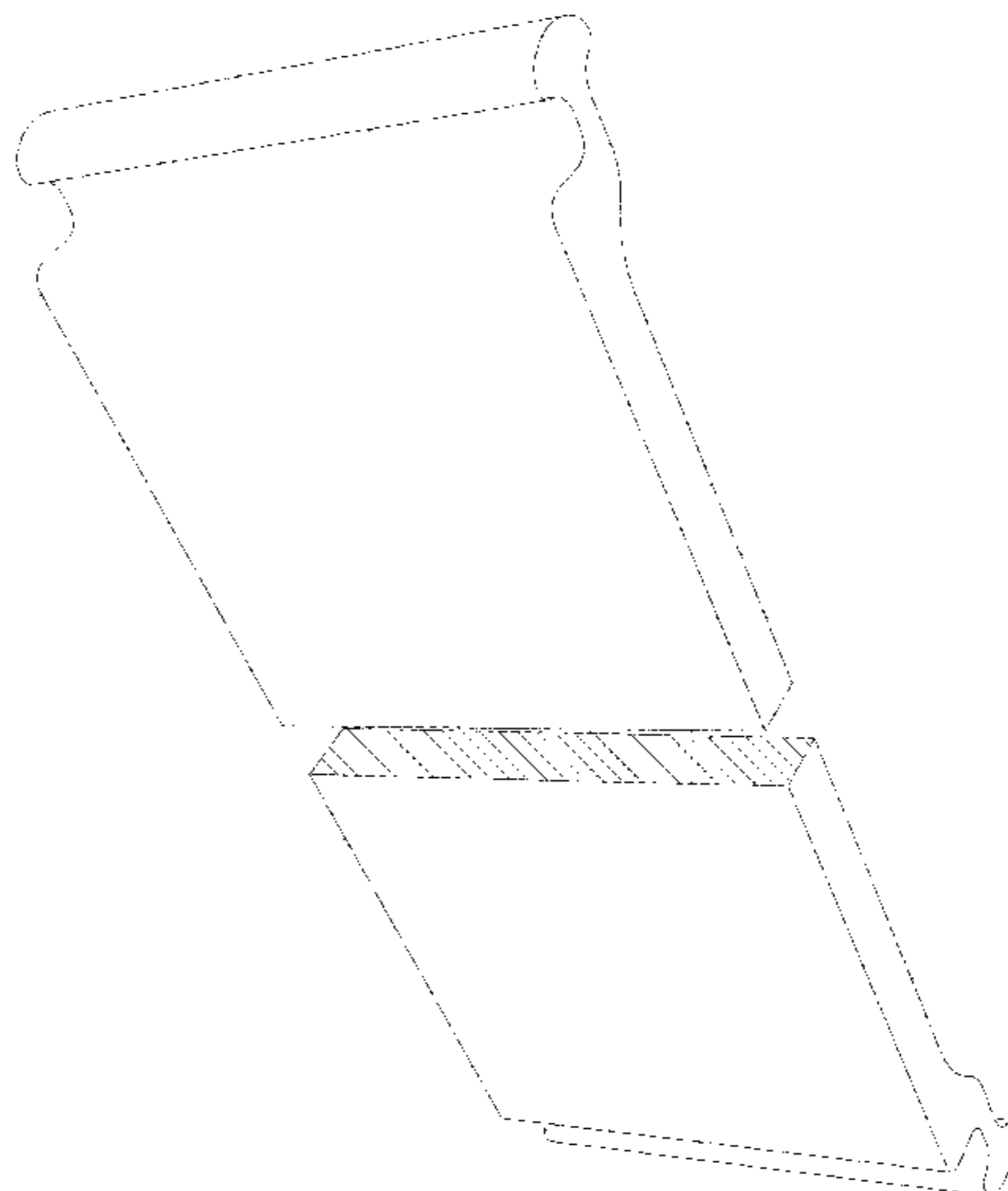
The ornamental design for an optimizing element for sheet piles, as shown and described.

DESCRIPTION

FIG. 1 is a perspective view of the optimizing element for sheet piles showing my new design; and, FIG. 2 is a front view of the optimizing element for sheet piles in FIG. 1.

The optimizing element is shown with a symbolic break in its length. The appearance of any portion of the optimizing element for sheet piles between the jagged break lines forms no part of the claimed design.

1 Claim, 2 Drawing Sheets



(56)

References Cited

U.S. PATENT DOCUMENTS

1,070,833	A *	8/1913	Neilson	E02D 5/04 405/278
2,388,221	A *	10/1945	Smith	G07D 9/004 D6/580
D150,466	S *	8/1948	Schuler	D25/125
D219,732	S *	1/1971	van den Broek	D25/125
D479,797	S *	9/2003	Wall	D25/119
7,018,140	B1 *	3/2006	Hartman	E02D 5/02 405/276
D527,249	S *	8/2006	Heindl	D8/382
D527,619	S *	9/2006	Heindl	D8/382
D530,190	S *	10/2006	Wall	D8/382
D542,633	S *	5/2007	Heindl	D8/382
D580,498	S *	11/2008	Healy	D20/43
D618,991	S *	7/2010	Heindl	D8/382
D619,886	S *	7/2010	Heindl	D8/382
D621,247	S *	8/2010	Heindl	D8/382
D640,532	S *	6/2011	Austro	D8/382
D643,132	S *	8/2011	MacKenzie	D25/126
D665,659	S *	8/2012	Heindl	D8/382
D681,428	S *	5/2013	Heindl	D8/382
D782,903	S *	4/2017	Heindl	D8/382
D788,573	S *	6/2017	Heindl	D8/382
2012/0076594	A1 *	3/2012	Park	E02D 5/02 405/285
2012/0269583	A1 *	10/2012	Heindl	E02D 5/08 405/251
2015/0052961	A1 *	2/2015	Hermes	B21B 1/098 72/250

* cited by examiner

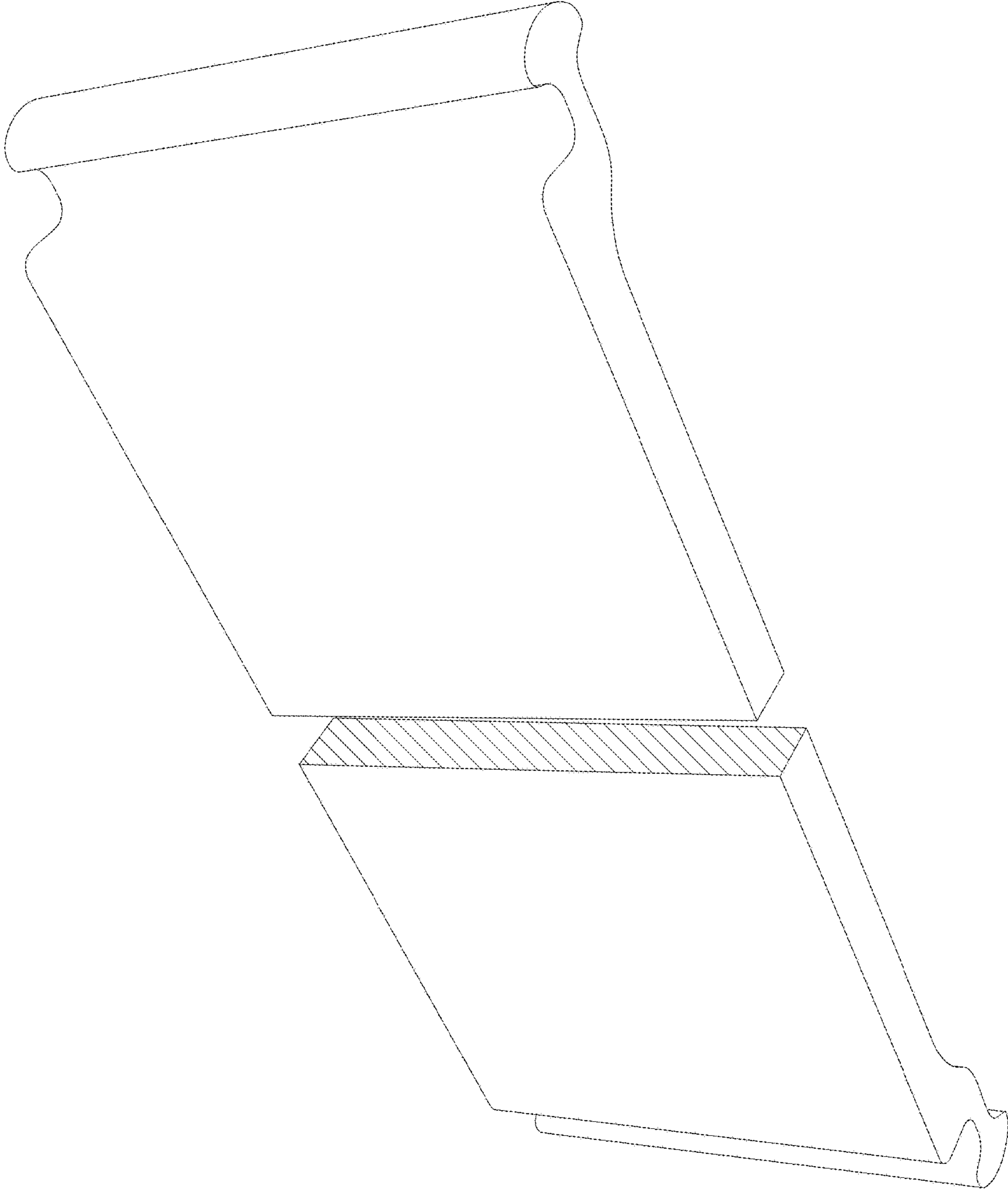


FIG. 1

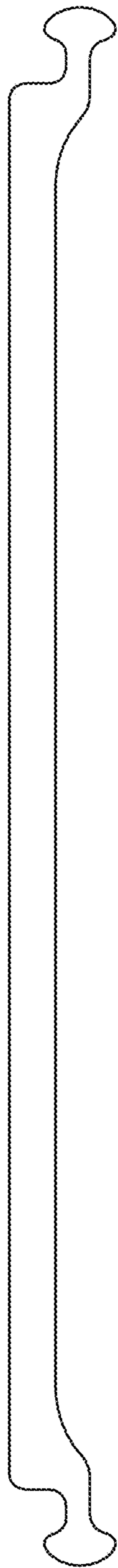


FIG. 2