



US00D823481S

(12) **United States Design Patent** (10) **Patent No.:** **US D823,481 S**
Diserio (45) **Date of Patent:** **** Jul. 17, 2018**

(54) **DECK SKIRT**

(71) Applicant: **Lucas Diserio**, Wellsburg, WV (US)
(72) Inventor: **Lucas Diserio**, Wellsburg, WV (US)
(73) Assignee: **American Muscle Docks & Fabrication LLC**, Wellsburg, WV (US)

(**) Term: **15 Years**

(21) Appl. No.: **29/565,629**

(22) Filed: **May 23, 2016**

(51) **LOC (11) Cl.** **25-02**

(52) **U.S. Cl.**
USPC **D25/32**

(58) **Field of Classification Search**
USPC D12/316, 317, 318; D25/32, 35, 55, 61, D25/66
CPC E04B 1/10; E04B 7/02; E04B 7/06; E04B 7/063; E04C 3/42; F16B 15/0046; Y10T 403/4605; Y10T 403/7094
See application file for complete search history.

(56) **References Cited**

U.S. PATENT DOCUMENTS

4,096,670	A *	6/1978	Fuller	E04B 1/10 403/232.1
4,260,293	A *	4/1981	Peterson	E02B 3/064 114/267
D333,707	S *	3/1993	Cerbone	D25/138
5,205,087	A *	4/1993	Jines	E04H 3/28 52/126.5
D502,271	S *	2/2005	Stensrud	D25/61
D510,062	S *	9/2005	McCormack	D12/316
D586,479	S *	2/2009	Hockemeyer	D25/126
D586,480	S *	2/2009	Hockemeyer	D25/126
D608,459	S *	1/2010	Wyse	D25/35
8,769,908	B1 *	7/2014	Santini	E04C 2/38 446/123
D737,464	S *	8/2015	Edlington	D25/62
D781,453	S *	3/2017	Gomez	D25/68

OTHER PUBLICATIONS

<http://wtov9.com/news/local/boat-docks-donated-to-brooke-hills-in-memory-of-former-park-manager-08-28-2015> Posted Jul. 2, 2015.*
<https://americanmuscledocks.com/> Available May 10, 2016.*
<https://americanmuscledocks.com/pages/dock-flash> Available Jul. 24, 2014.*

(Continued)

Primary Examiner — Susan Bennett Hattan
Assistant Examiner — Leanne Was-Englehart
(74) *Attorney, Agent, or Firm* — Alvin T. Rockhill

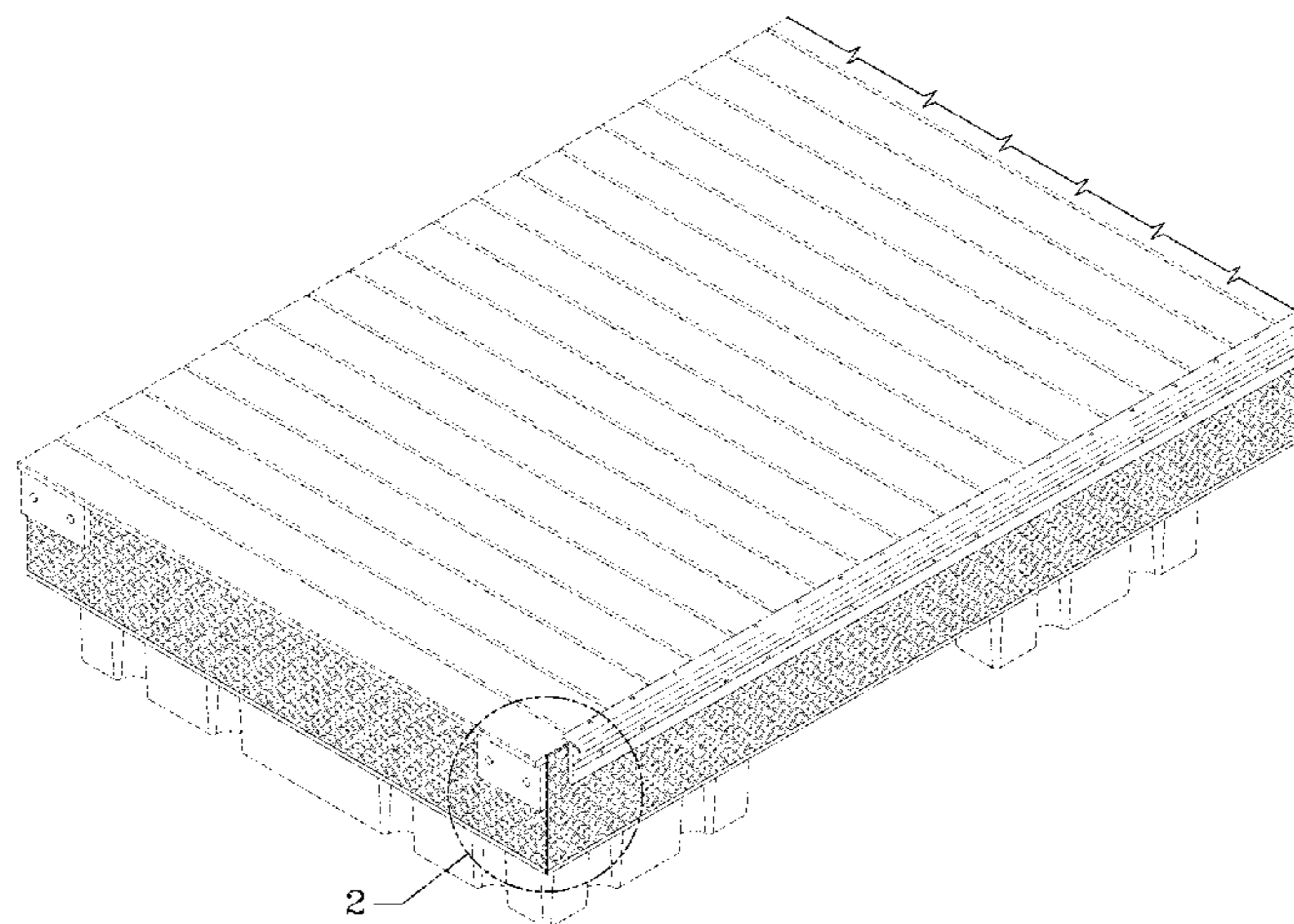
(57) **CLAIM**

The ornamental design for a deck skirt, as shown and described.

DESCRIPTION

FIG. 1 is a perspective view of a deck skirt of my new design;
FIG. 2 is a magnified view of area 2 as shown in FIG. 1;
FIG. 3 is a front view of the deck skirt as illustrated in FIG. 1;
FIG. 4 is a back view of the deck skirt as illustrated in FIG. 1;
FIG. 5 is a left side view of the deck skirt as illustrated in FIG. 1; and,
FIG. 6 is a right side view of the deck skirt as illustrated in FIG. 1.
The subject matter shown in broken lines does not constitute any part of the claimed design. The evenly spaced broken lines depict portions of the deck skirt that form no part of the claimed design. The unevenly spaced broken lines depict the limits of the enlarged view. The break lines in the figures represent the bounds of the Claim.

1 Claim, 4 Drawing Sheets



(56)

References Cited

OTHER PUBLICATIONS

<https://americanmuscle docks.com/pages/dock-siding> Available
Sep. 9, 2015.*

<https://americanmuscle docks.com/pages/flash-cards> Available Sep.
9, 2015.*

<http://www.wellsburgboat docks.com/> Available Nov. 23, 2014.*

<http://www.wellsburgboat docks.com/> Available Nov. 23, 2014
(Year: 2014).*

* cited by examiner

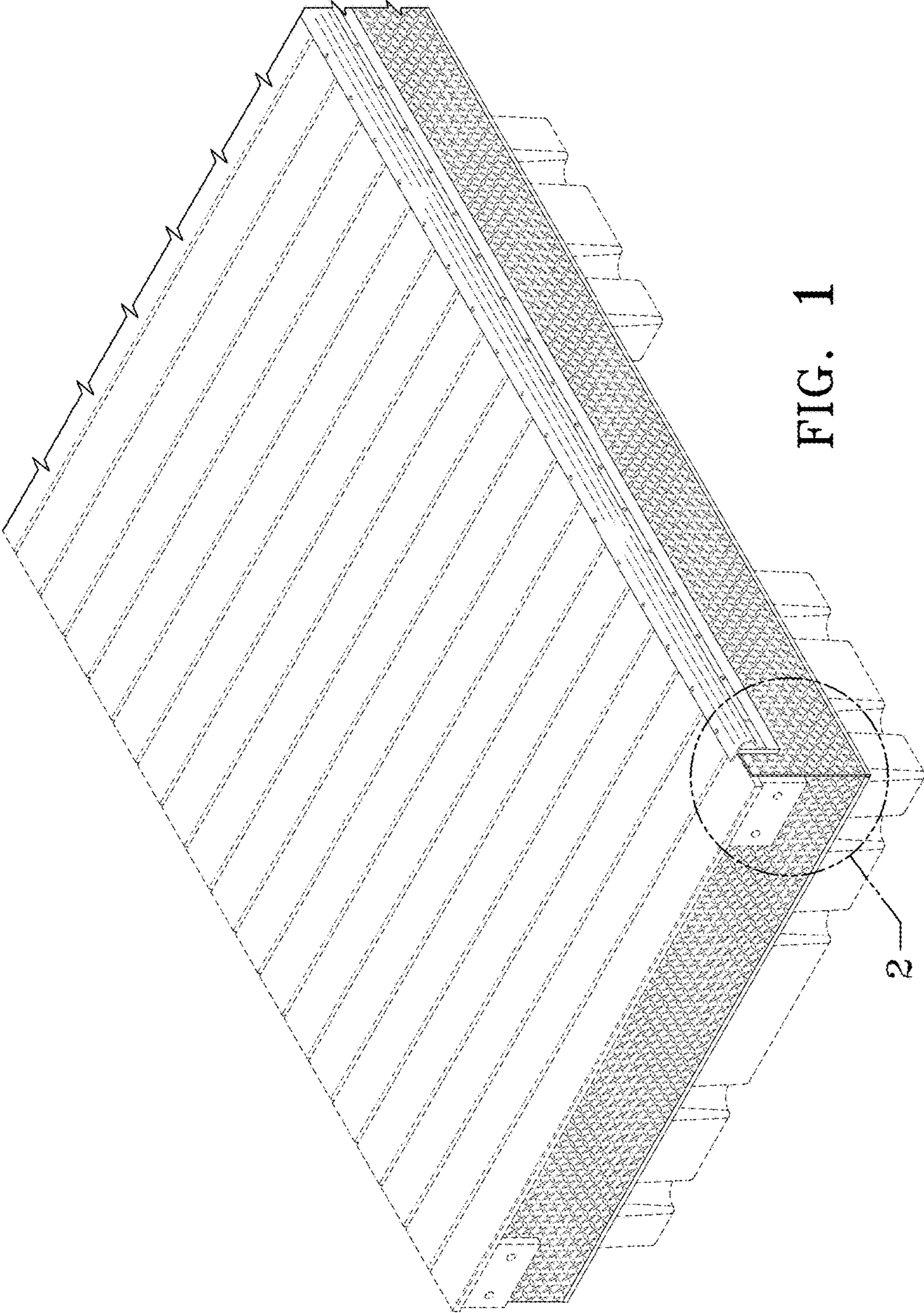


FIG. 1

2

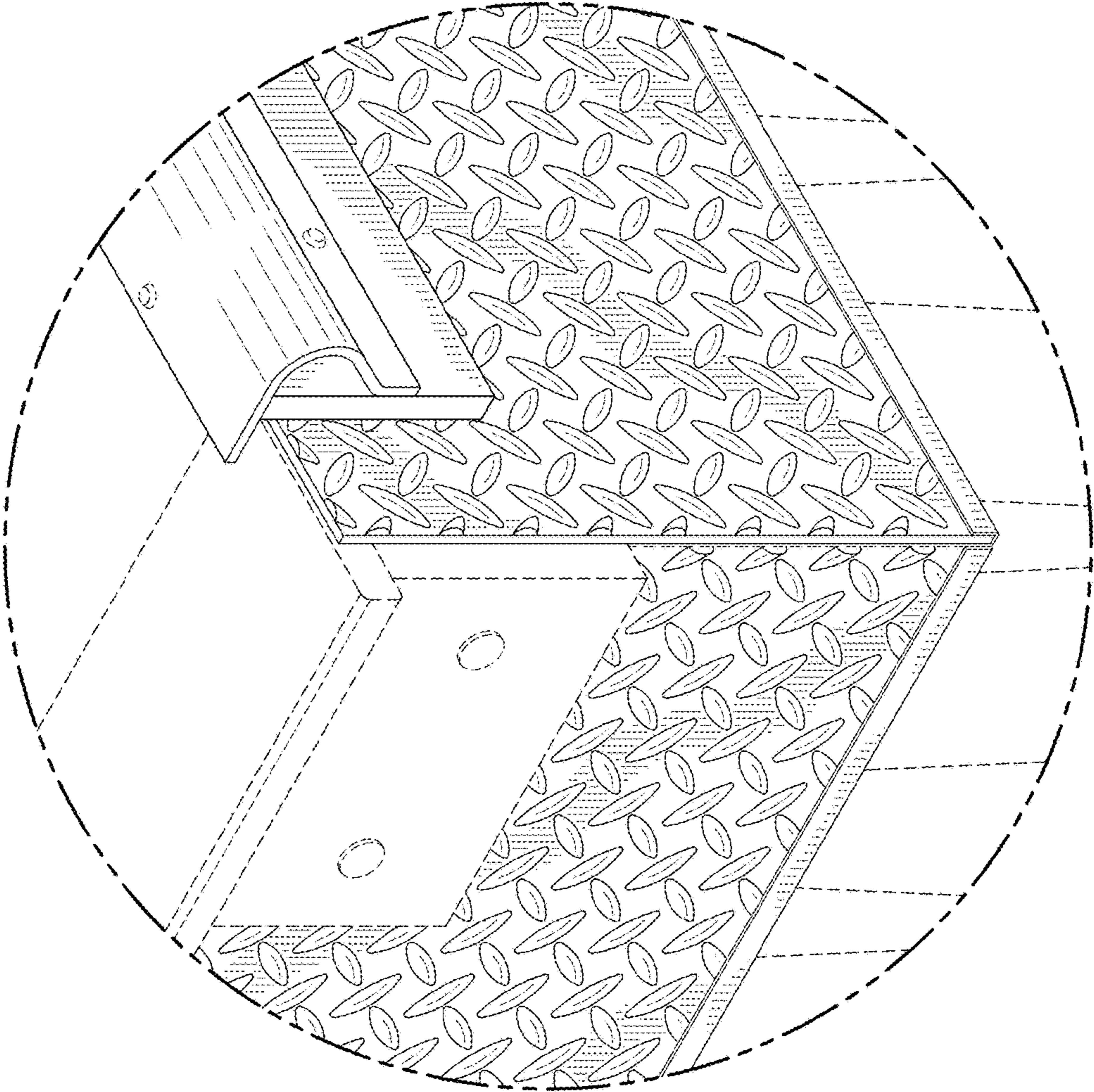


FIG. 2

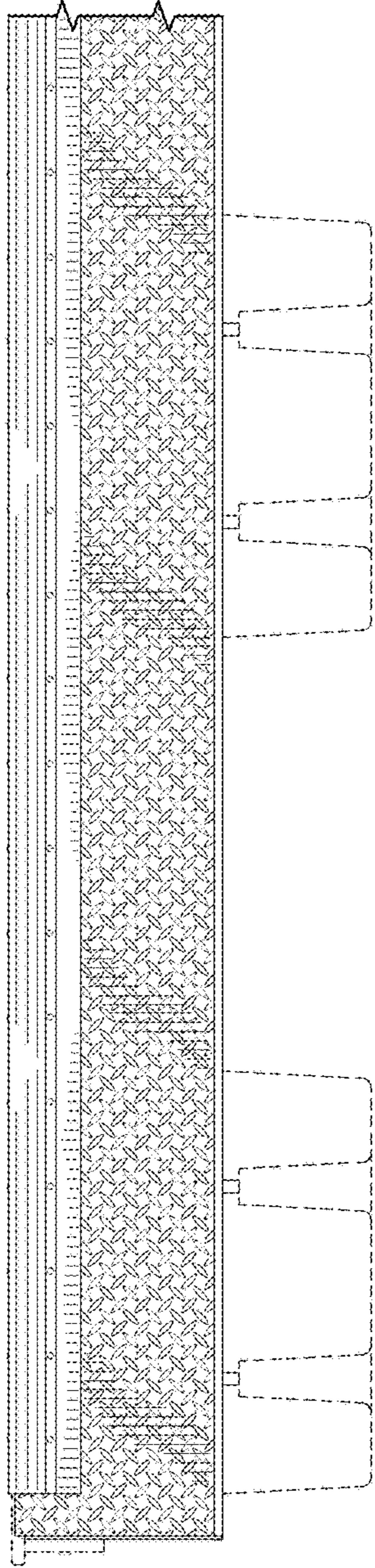


FIG. 3

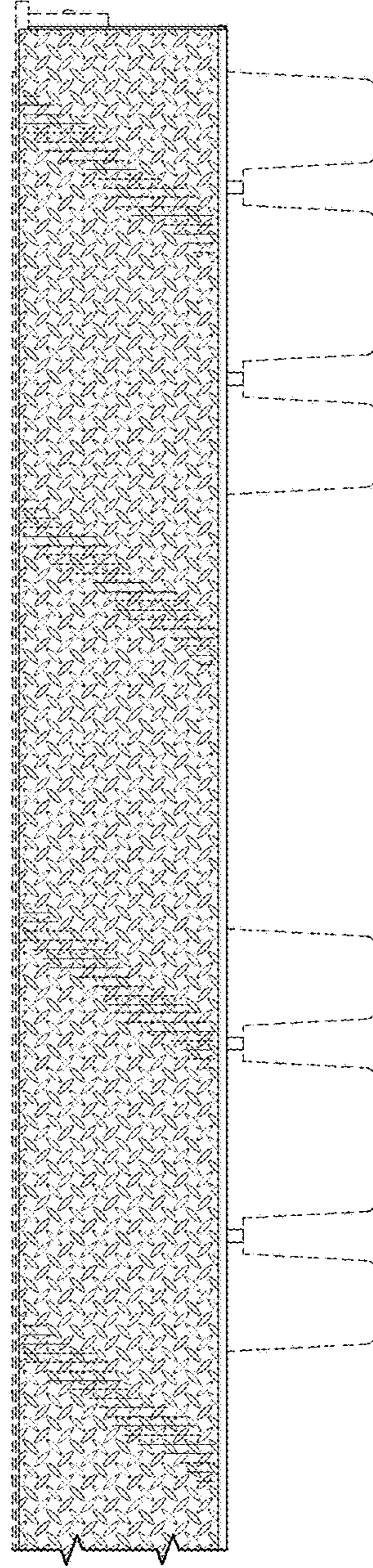


FIG. 4

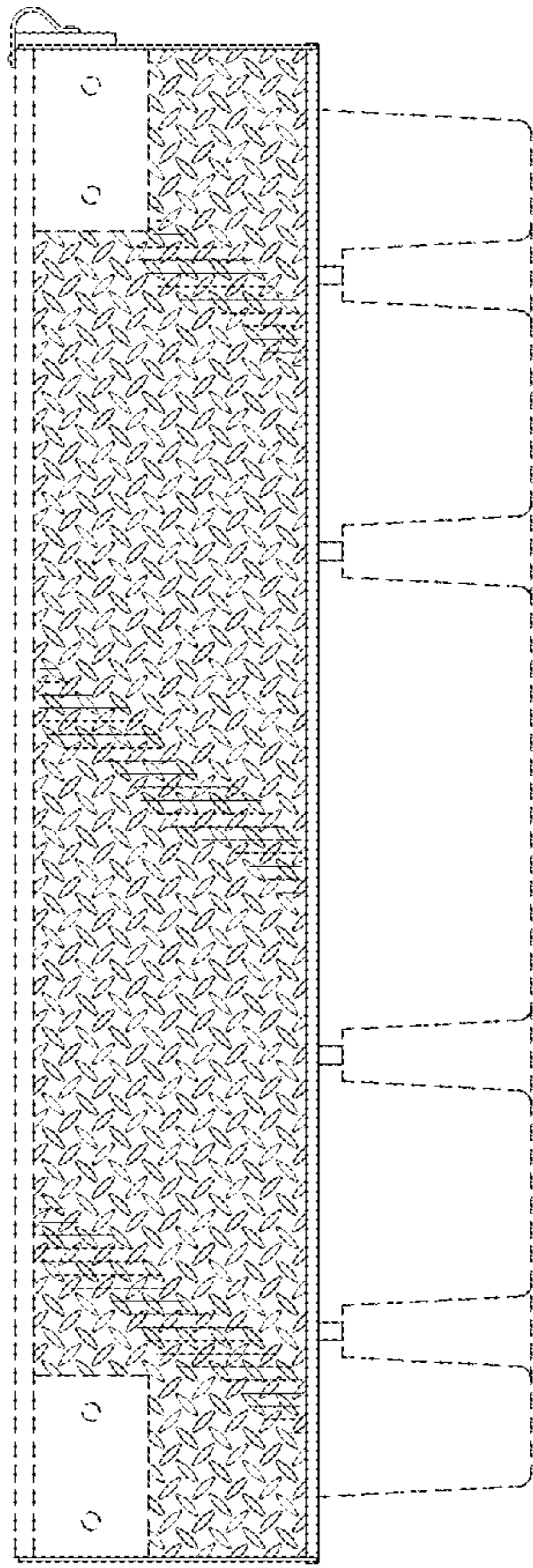


FIG. 5

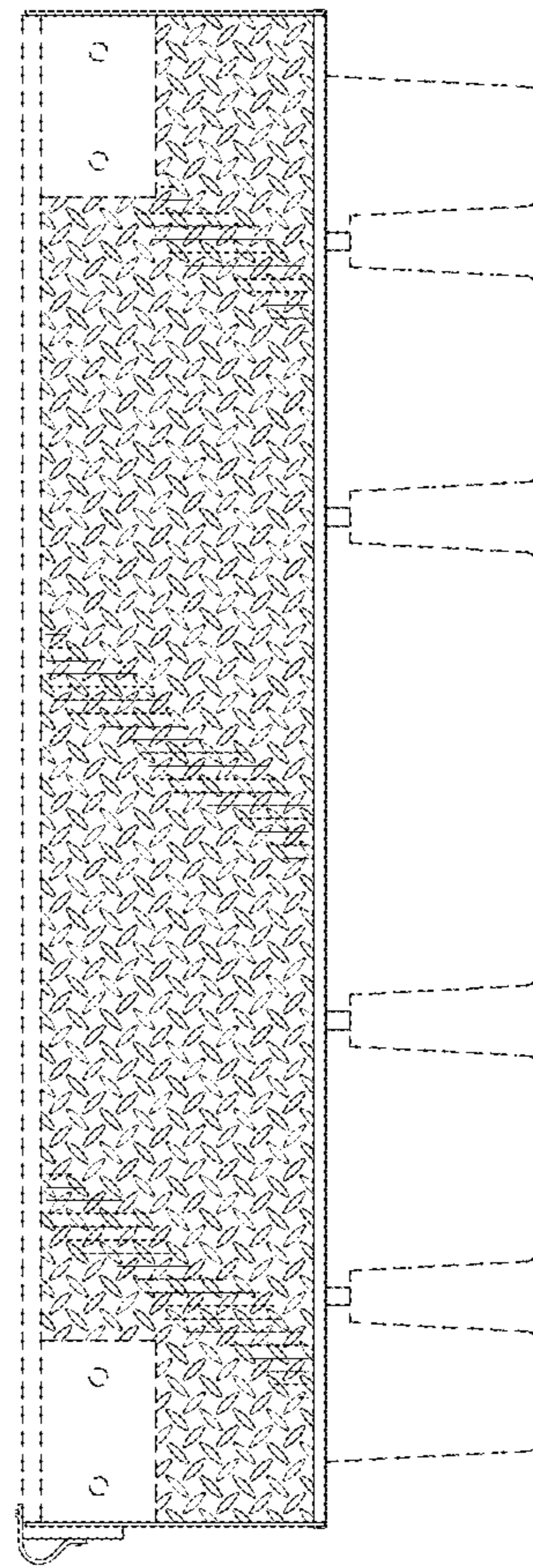


FIG. 6