



US00D823480S

(12) **United States Design Patent** (10) **Patent No.:** **US D823,480 S**
Balzer (45) **Date of Patent:** **** Jul. 17, 2018**

(54) **RETAIL BUILDING**
(71) Applicant: **Corey Balzer**, Orlando, FL (US)
(72) Inventor: **Corey Balzer**, Orlando, FL (US)
(**) Term: **15 Years**
(21) Appl. No.: **29/574,582**
(22) Filed: **Aug. 17, 2016**
(51) **LOC (11) Cl.** **25-03**
(52) **U.S. Cl.**
USPC **D25/10**
(58) **Field of Classification Search**
USPC D25/1-30, 31-34, 35, 55-59; D6/673;
52/33, 29; D21/506-511
CPC E04H 1/04; E04H 1/06; E04H 3/02; E04H
3/04; E04H 1/12; E04H 1/1205; E04H
1/1222
See application file for complete search history.

D313,474 S * 1/1991 Anderson D25/10
D353,893 S * 12/1994 Perez D25/16
D556,091 S * 11/2007 Racich D12/102
D580,071 S * 11/2008 Evans D25/10
D633,007 S * 2/2011 Evans D12/83
D663,437 S * 7/2012 Lauren D25/10

* cited by examiner

Primary Examiner — Susan Bennett Hattan
Assistant Examiner — Brett Miller
(74) *Attorney, Agent, or Firm* — Dunlap Bennett & Ludwig PLLC

(57) **CLAIM**

The ornamental design for a retail building, as shown and described.

DESCRIPTION

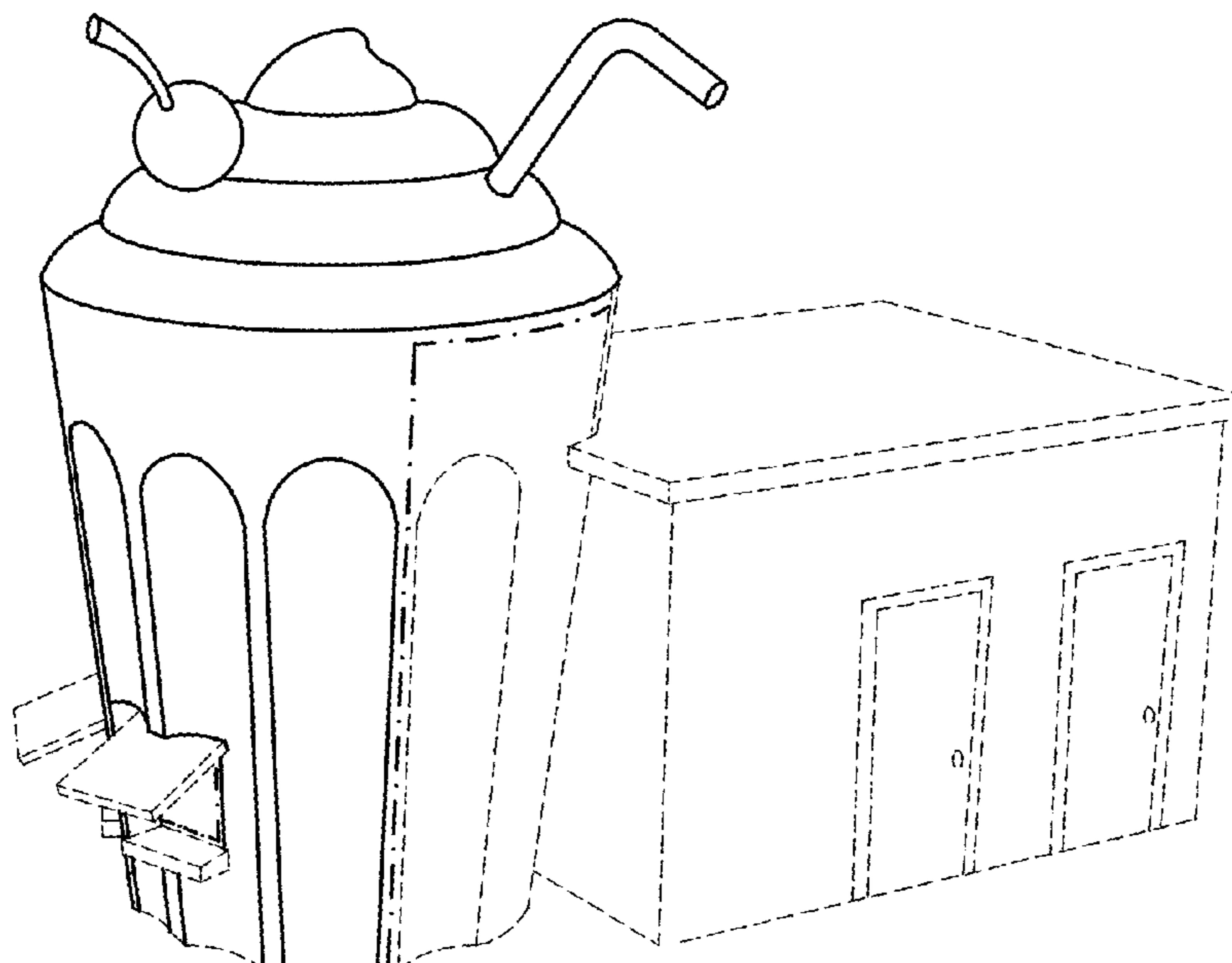
FIG. 1 is a perspective view of a retail building;
FIG. 2 is a left side elevation view thereof;
FIG. 3 is a right side elevation view thereof;
FIG. 4 is a front elevation view thereof;
FIG. 5 is a rear elevation view thereof;
FIG. 6 is a top plan view thereof;
FIG. 7 is a bottom plan view thereof; and,
FIG. 8 is an enlarged partial front perspective view thereof.
The evenly-spaced broken lines shown in the drawings depict portions of the retail building that form no part of the claimed design.
The dash-dot-dash broken lines represent the bounds of the claimed design and form no part thereof.

1 Claim, 4 Drawing Sheets

(56) **References Cited**

U.S. PATENT DOCUMENTS

D85,530 S * 11/1931 Krueger D25/31
D94,042 S * 12/1934 Mowrer D25/10
D180,243 S * 5/1957 Perez D25/10
D202,982 S * 11/1965 Centrone D25/10
3,288,515 A * 11/1966 Glover E04H 1/1222
D261,431 S * 10/1981 Barton D25/10
D286,076 S * 10/1986 DeStefano D25/10
D288,486 S * 2/1987 Skinner D25/10
D291,356 S * 8/1987 Sapieha D25/10



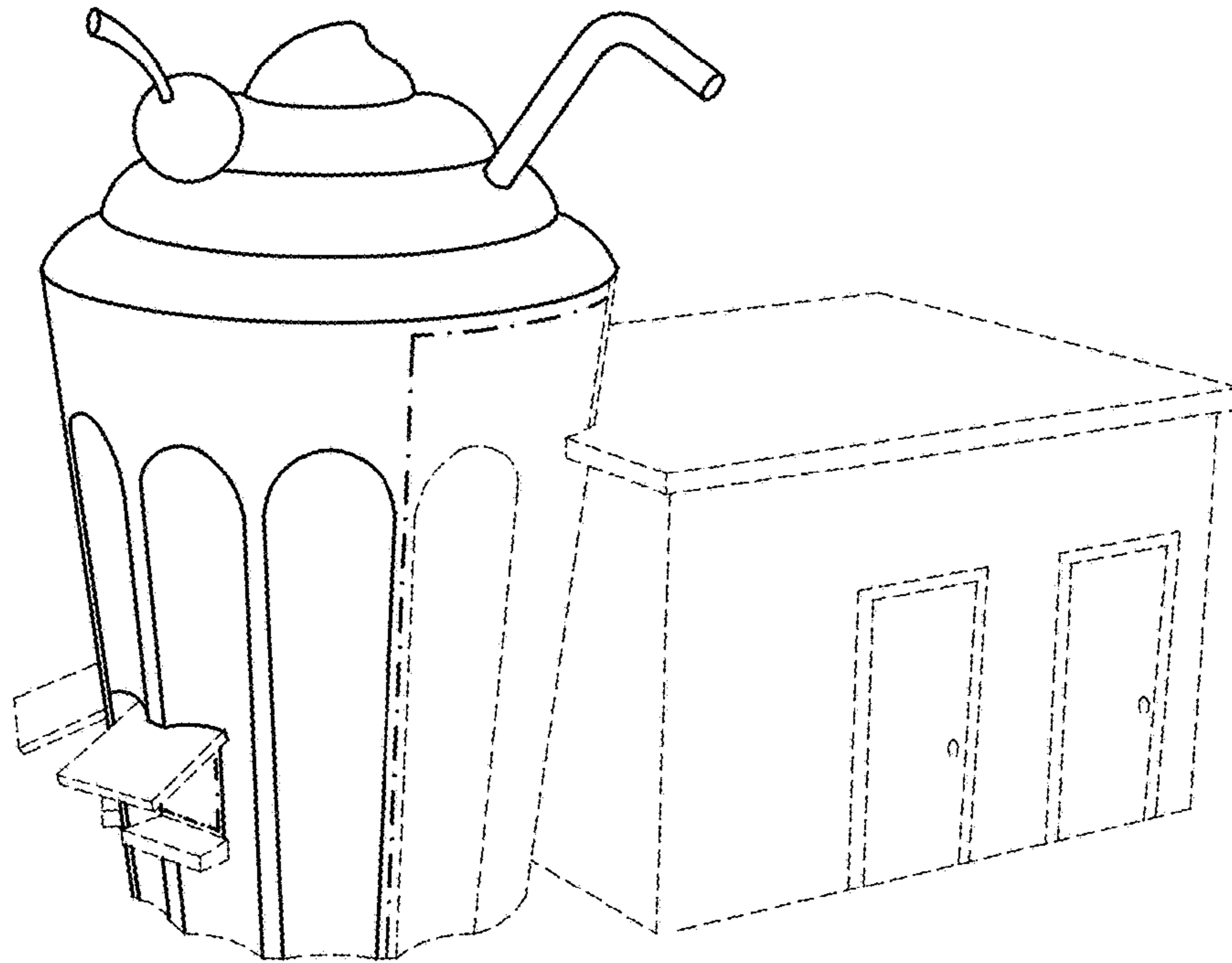


Fig. 1

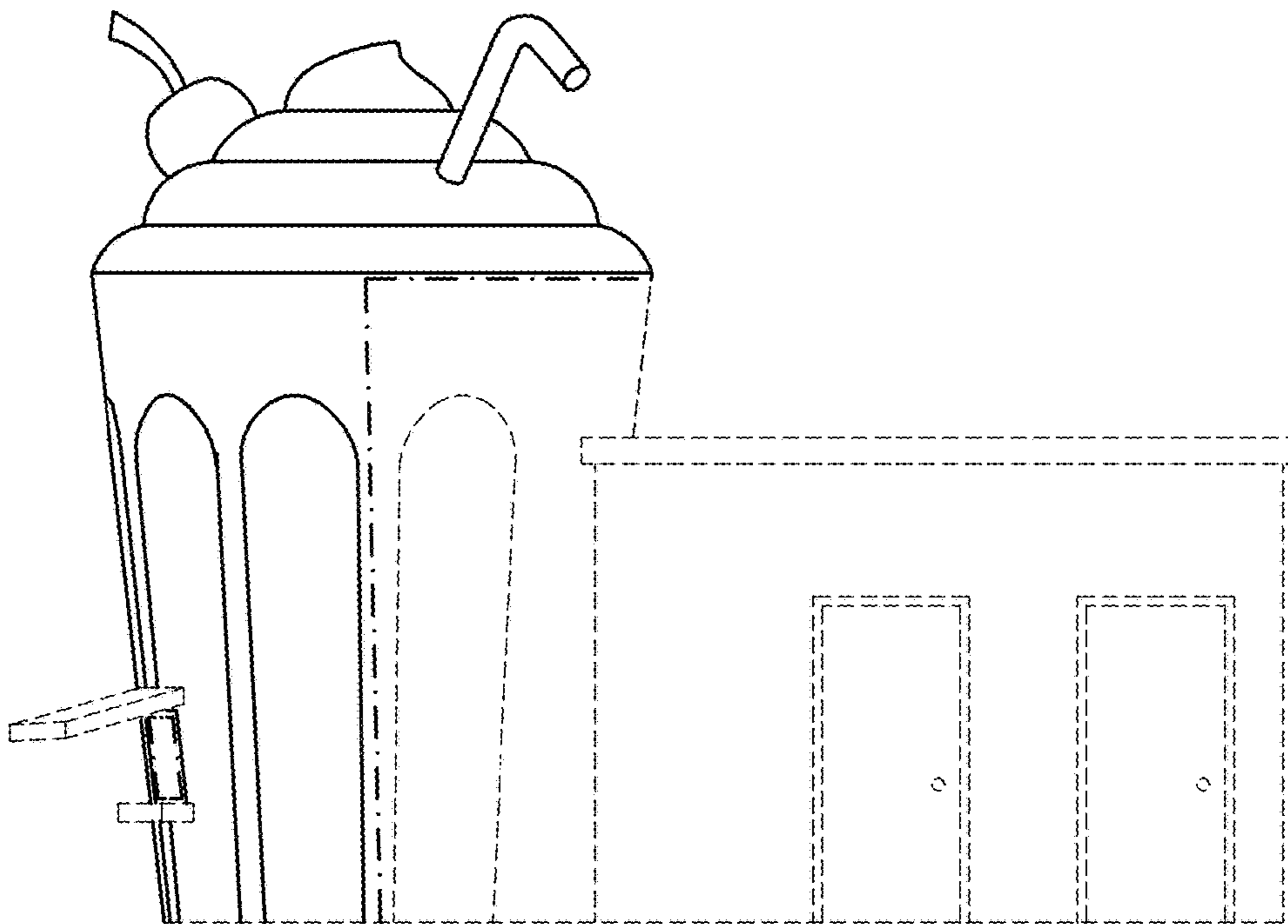


Fig. 2

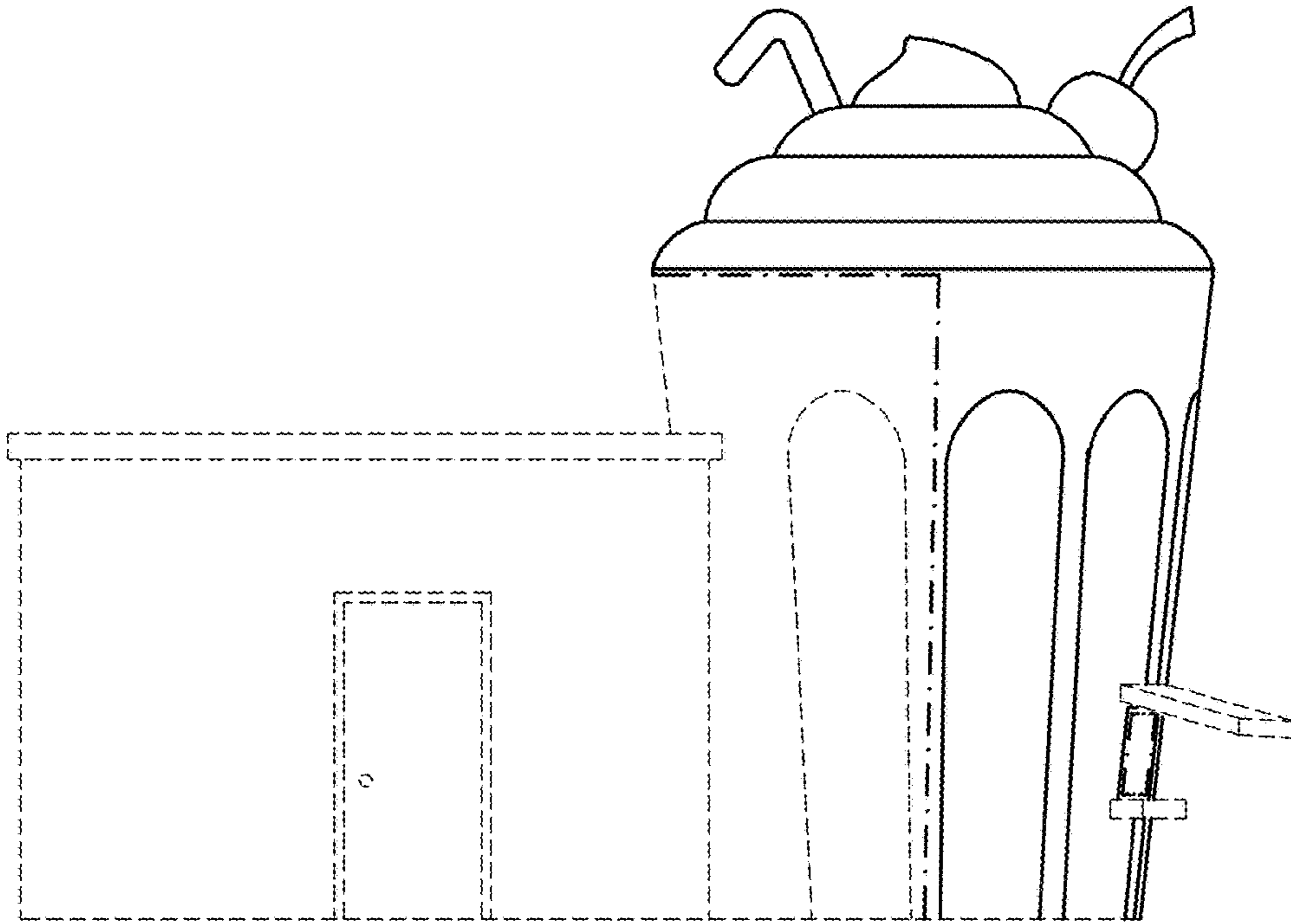


Fig. 3

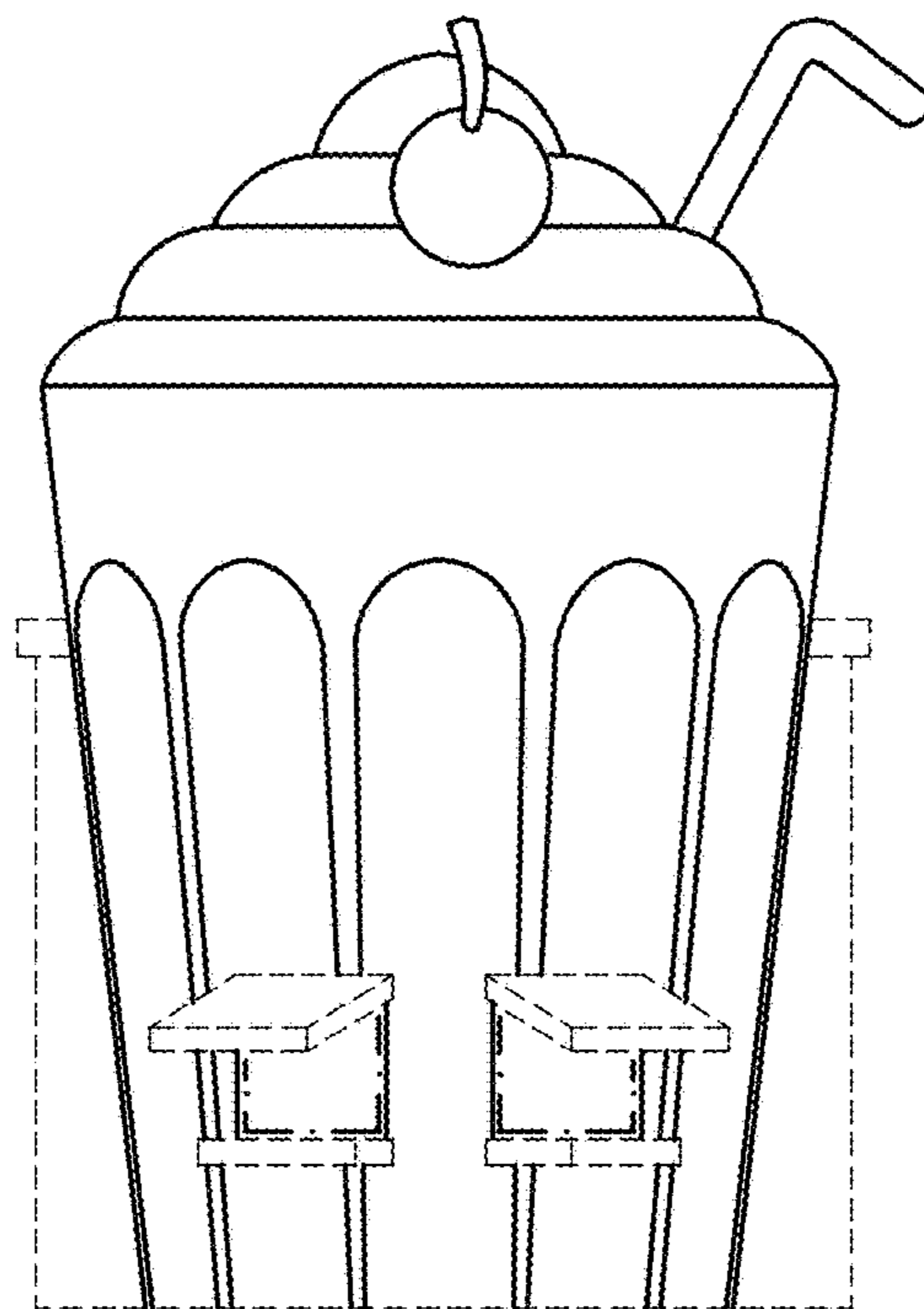


Fig. 4

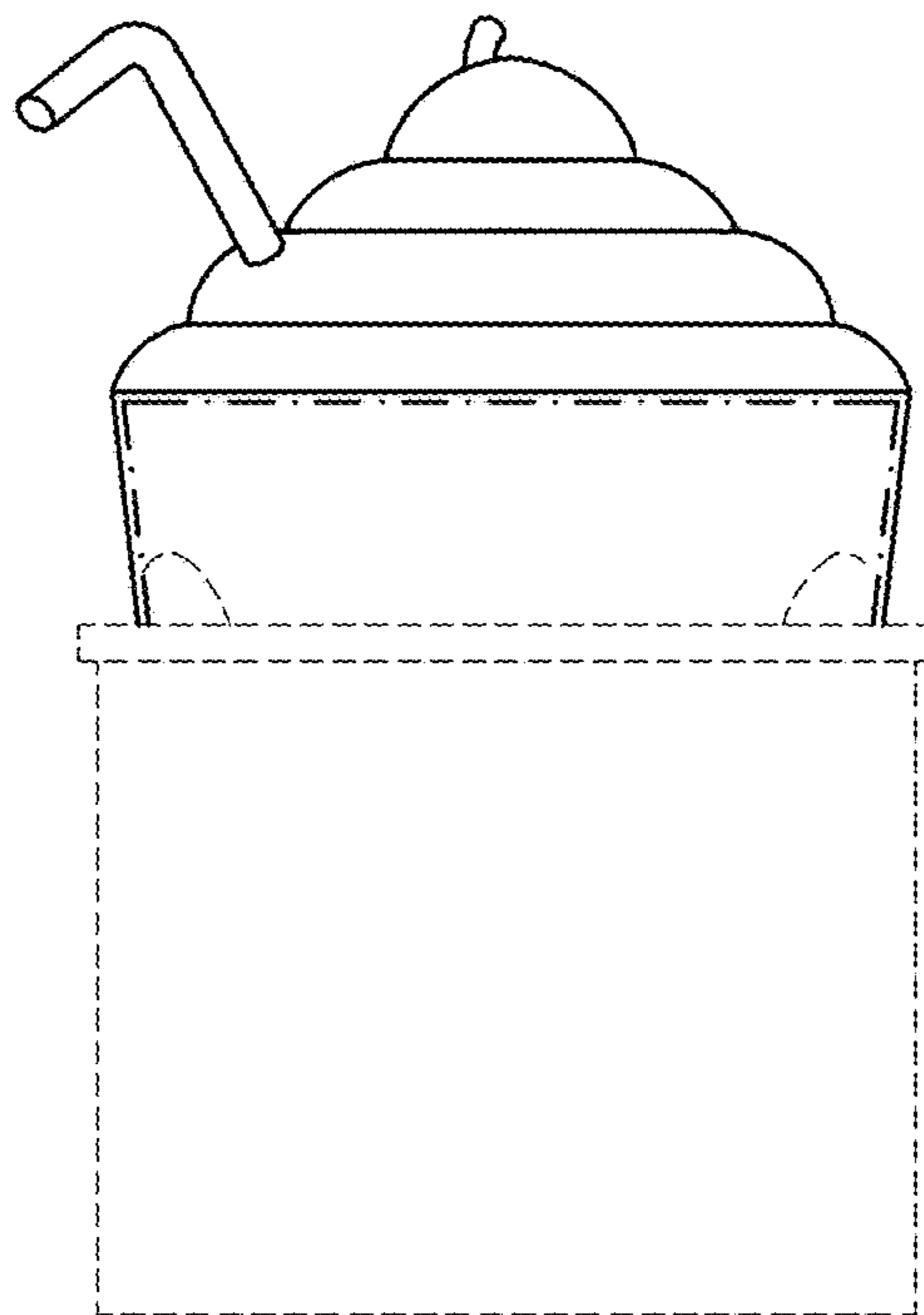


Fig. 5

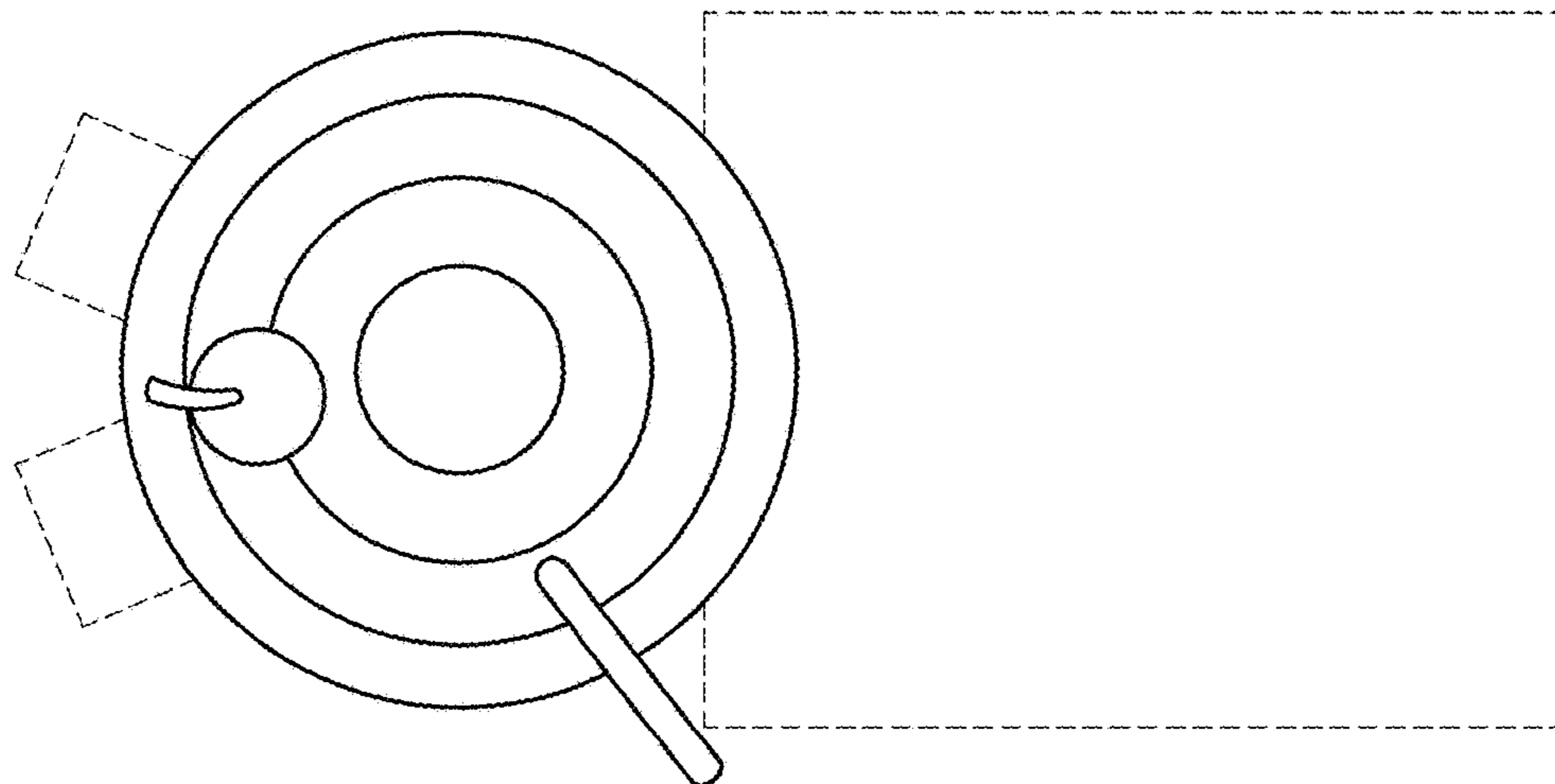


Fig. 6

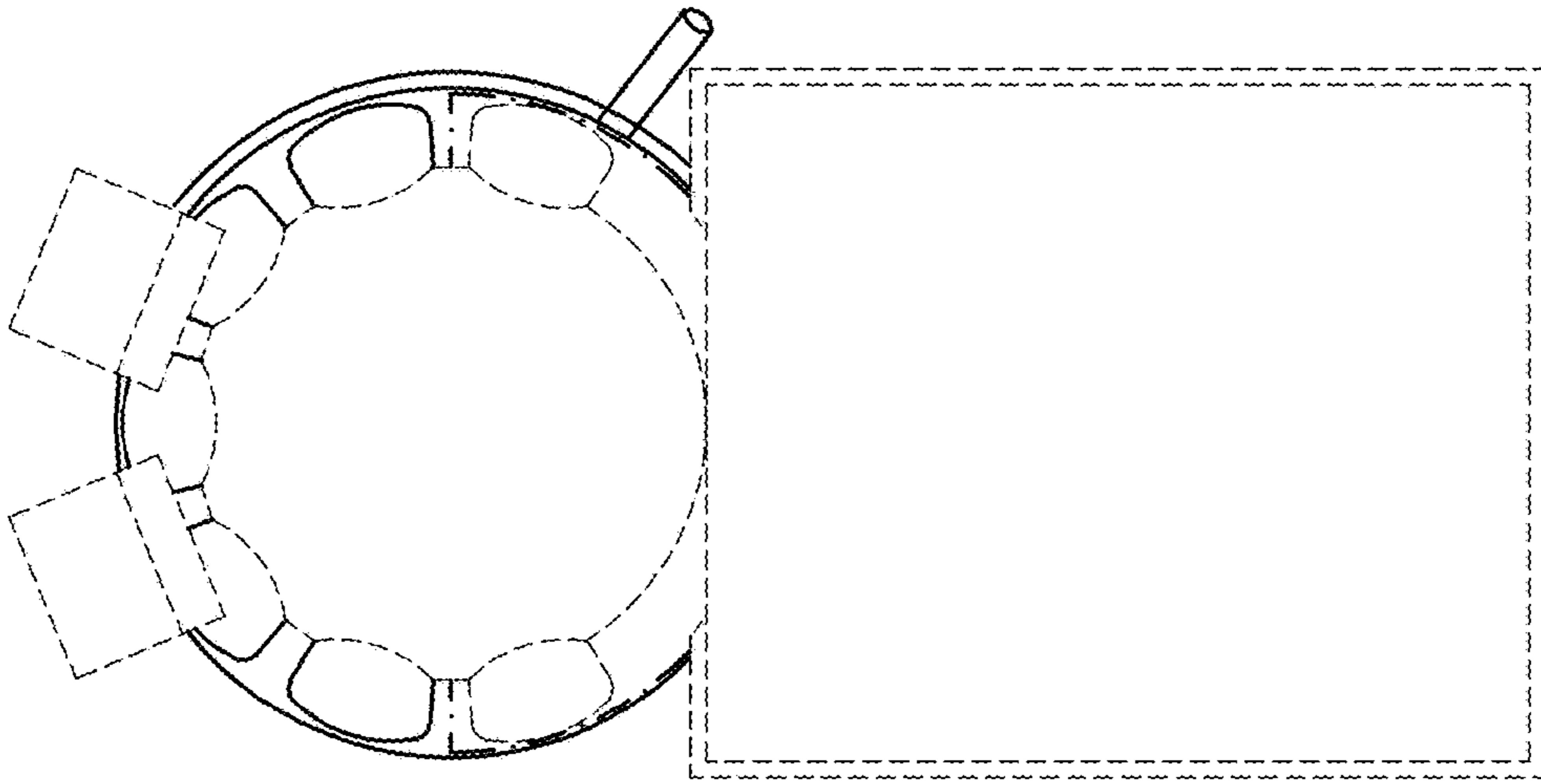


Fig. 7

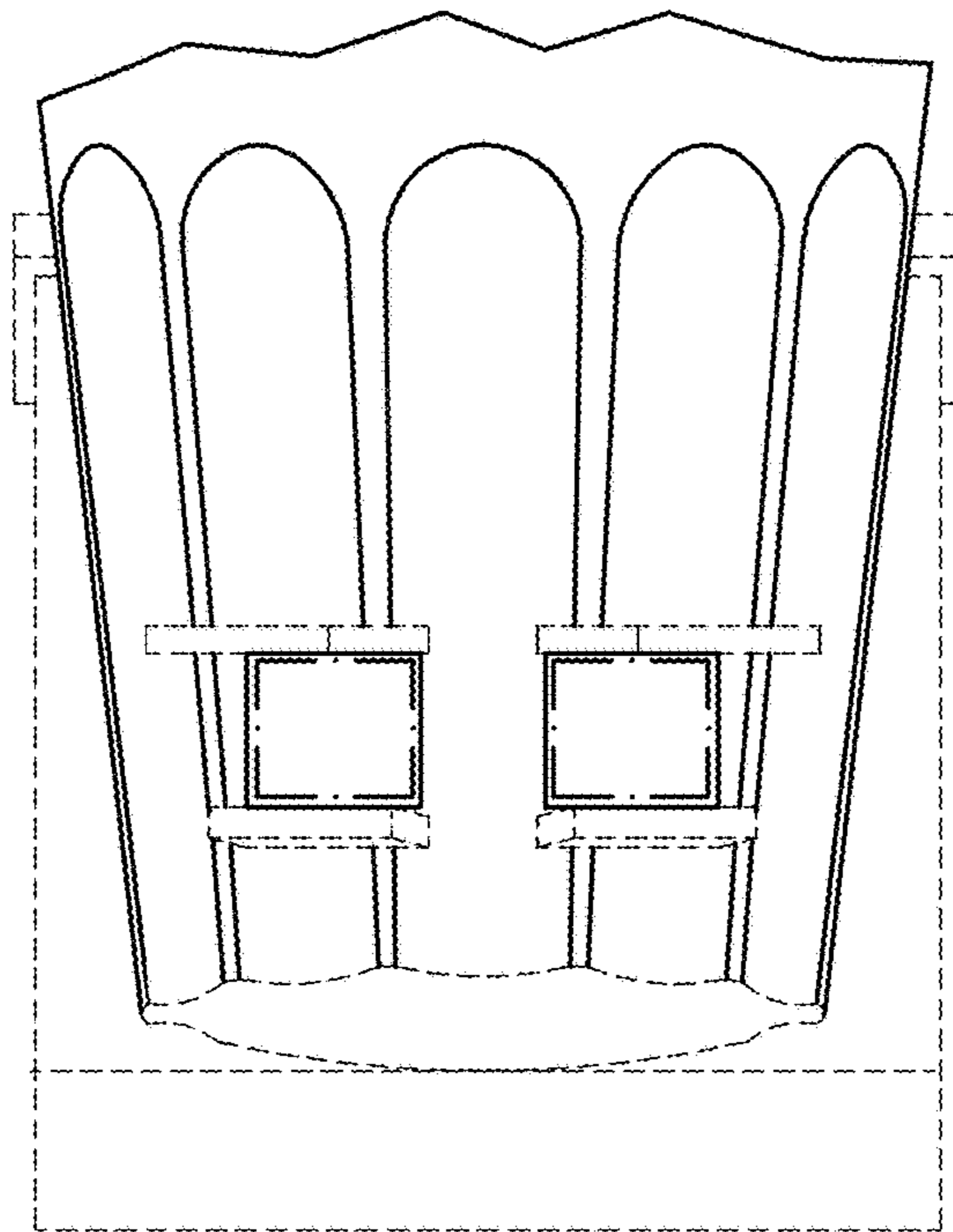


Fig. 8