



US00D823478S

(12) **United States Design Patent**  
**Park**

(10) **Patent No.:** **US D823,478 S**

(45) **Date of Patent:** **\*\* Jul. 17, 2018**

- (54) **PORTABLE MASSAGER**
- (71) Applicant: **Homelec Korea Co., Ltd.**, Seoul (KR)
- (72) Inventor: **Kun Woo Park**, Osan-si (KR)
- (73) Assignee: **HOMELEC KOREA CO., LTD**, Seoul (KR)
- (\*\*) Term: **15 Years**
- (21) Appl. No.: **29/574,778**
- (22) Filed: **Aug. 18, 2016**
- (51) **LOC (11) Cl.** ..... **28-03**
- (52) **U.S. Cl.**  
USPC ..... **D24/215**
- (58) **Field of Classification Search**  
USPC ..... D24/200, 211, 212, 213, 214, 215;  
601/19, 22, 27-32, 46, 52, 99, 112, 113,  
601/118, 125, 143, DIG. 12, DIG. 14,  
601/DIG. 15, DIG. 16, DIG. 17; D8/367,  
D8/368, 369, 370  
CPC ..... A61H 1/0266; A61H 2015/0007; A61H  
2015/0014; A61H 2015/0042; A61H  
2015/0035; A61H 15/00; A61H 7/003;  
A61H 7/005; A61H 7/00; A61H  
2001/027; A61H 11/00; A61H 19/00;  
A61H 19/30; A61H 19/32; A61H 19/34;  
A61H 19/40; A61H 19/44; A61H 19/50;  
A61H 21/00  
See application file for complete search history.

D321,056	S	*	10/1991	Chambers	.....	D24/211
D350,608	S	*	9/1994	Yu	.....	D24/211
D435,913	S	*	1/2001	Harris	.....	D24/214
D478,385	S	*	8/2003	Dirks	.....	D24/215
D533,943	S	*	12/2006	Chen	.....	D24/146
D627,898	S	*	11/2010	Aulwes	.....	D24/214
D628,304	S	*	11/2010	Aulwes	.....	D24/214
D652,524	S	*	1/2012	Messner	.....	D24/211
D773,823	S	*	12/2016	Wong	.....	D4/102
2009/0069728	A1	*	3/2009	Hoffmann	.....	A61B 8/08 601/46
2010/0160841	A1	*	6/2010	Wu	.....	A61H 7/004 601/135
2012/0204369	A1	*	8/2012	Watanabe	.....	A46B 5/0025 15/110

\* cited by examiner

*Primary Examiner* — Sandra Snapp

(74) *Attorney, Agent, or Firm* — John K. Park; Park Law Firm

(57) **CLAIM**

The ornamental design for a portable massager, as shown and described.

**DESCRIPTION**

FIG. 1 is a perspective view of a portable massager showing my new design;

FIG. 2 is a front plan view thereof;

FIG. 3 is a left side plan view thereof;

FIG. 4 is a right side plan view thereof;

FIG. 5 is a top plan view thereof;

FIG. 6 is a bottom plan view thereof; and,

FIG. 7 is an exploded perspective view of a portable massager thereof.

The broken line showing of environment is for illustrative purposes only and forms no part of the claimed design.

**1 Claim, 4 Drawing Sheets**

(56) **References Cited**

U.S. PATENT DOCUMENTS

D263,872	S	*	4/1982	Rakocy	.....	D24/214
D263,998	S	*	4/1982	Oberheim	.....	D24/214
D281,625	S	*	12/1985	Yuen	.....	D24/211

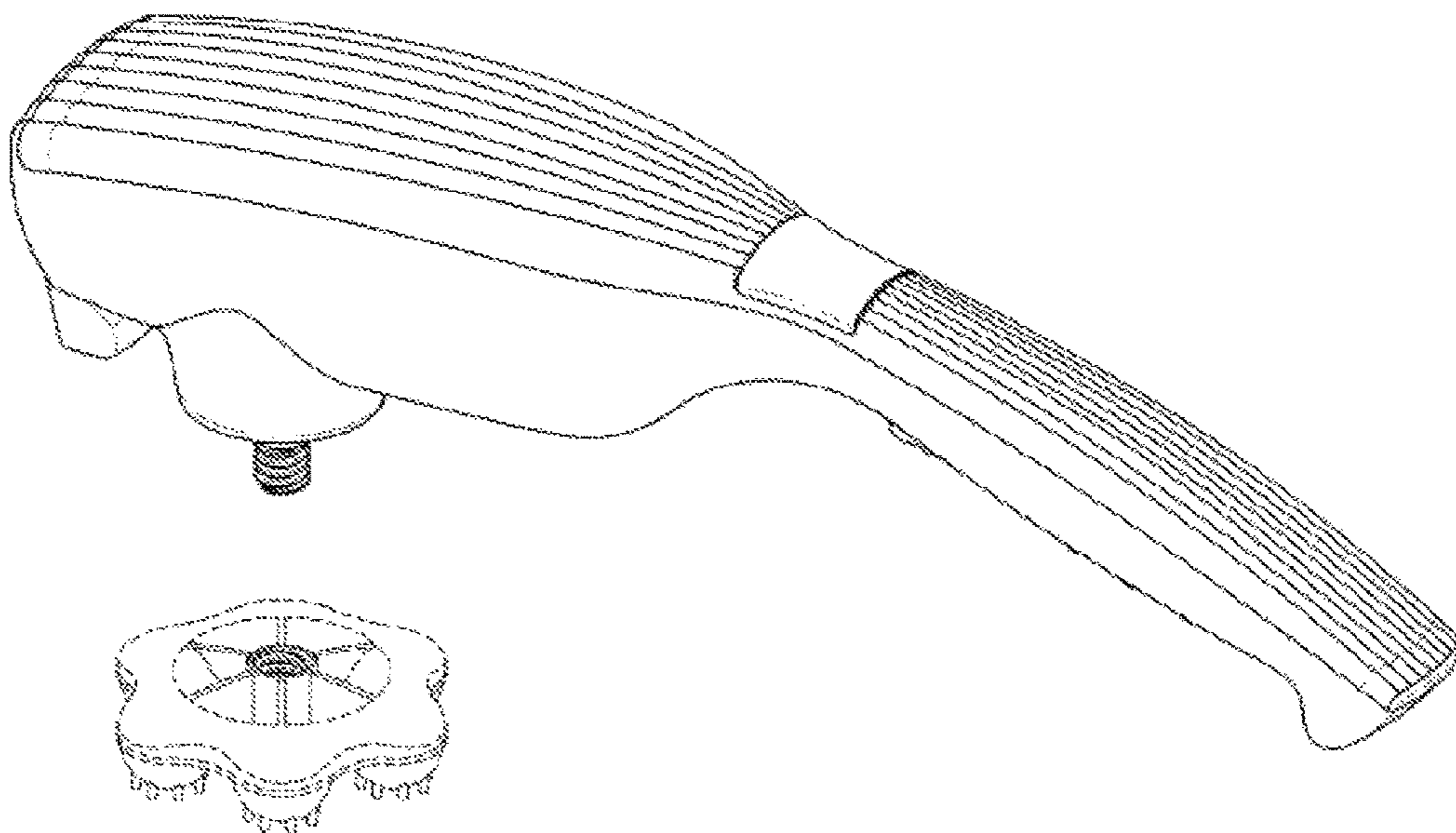
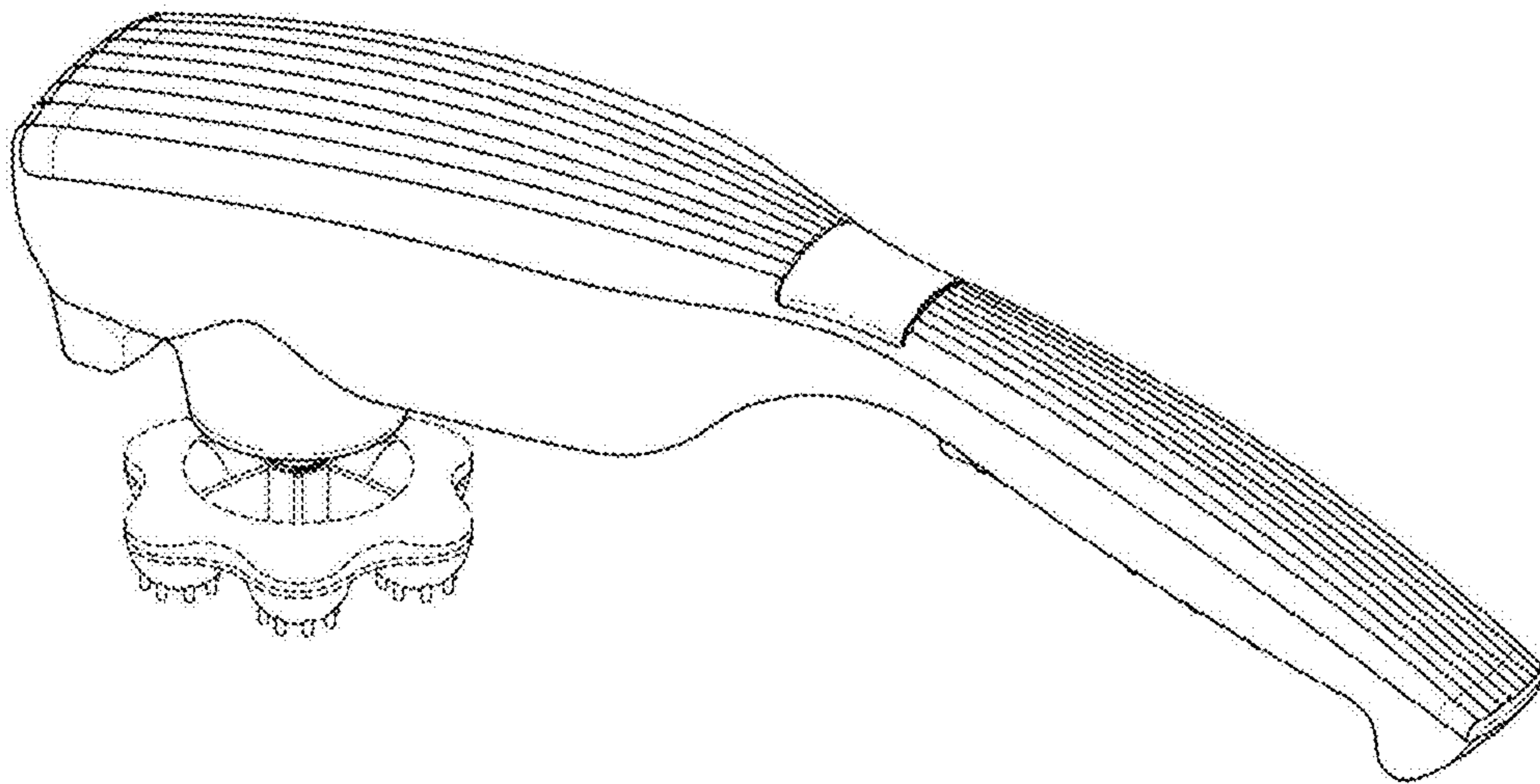


Fig. 1



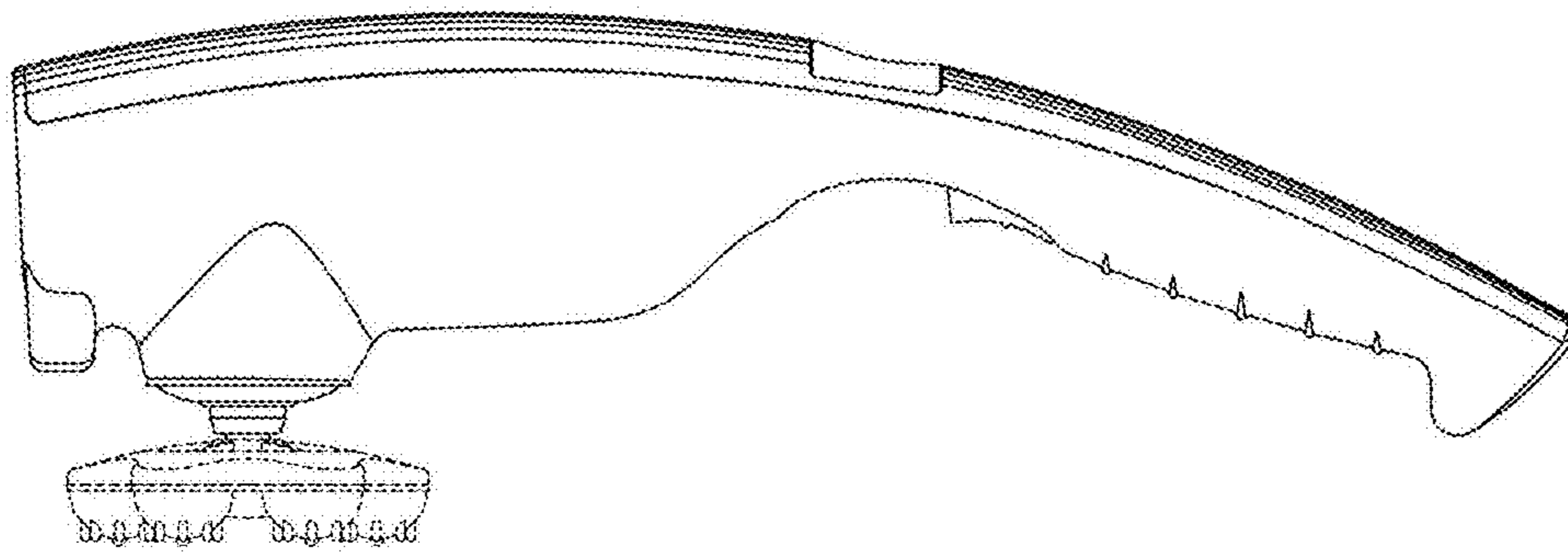


Fig. 2

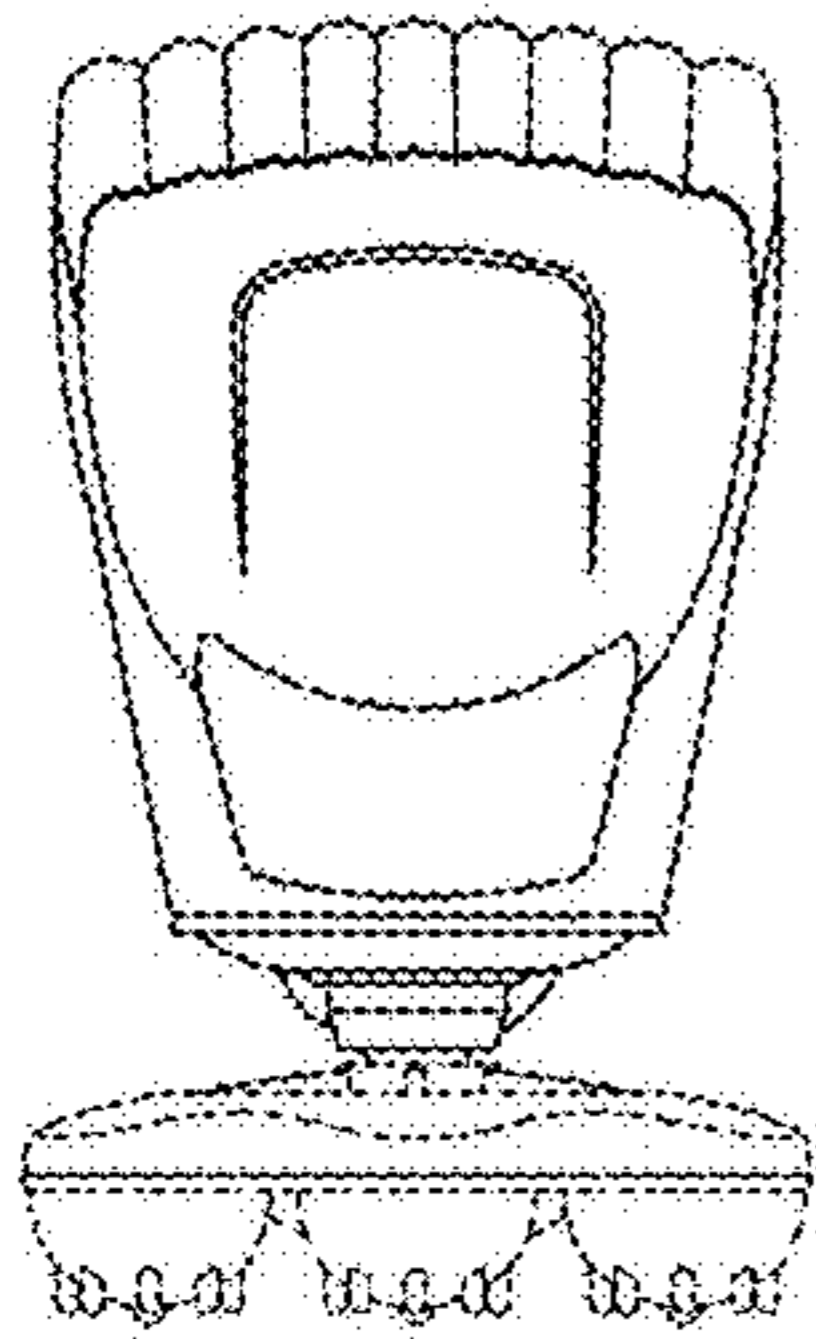


Fig. 3

Fig. 4

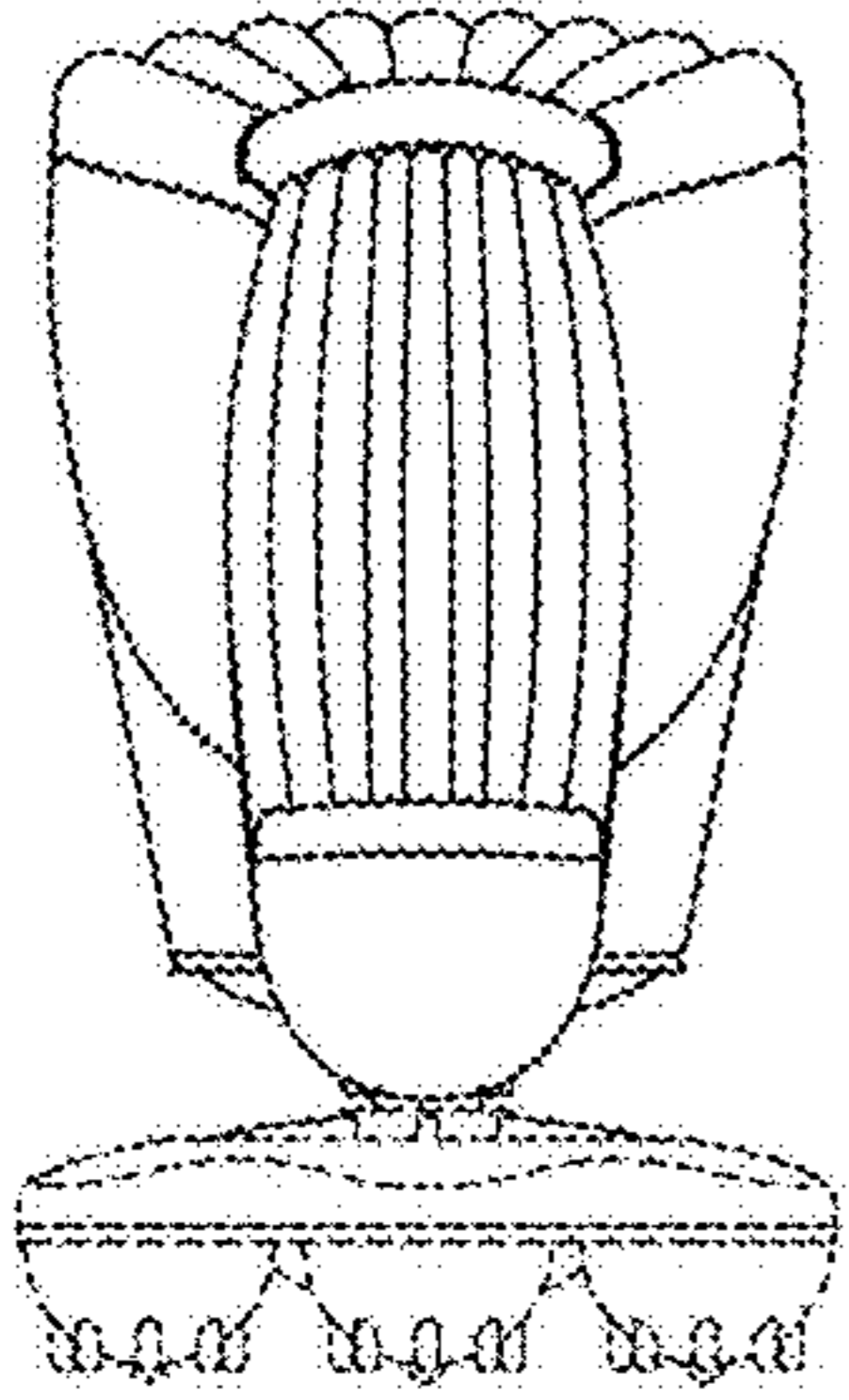


Fig. 5

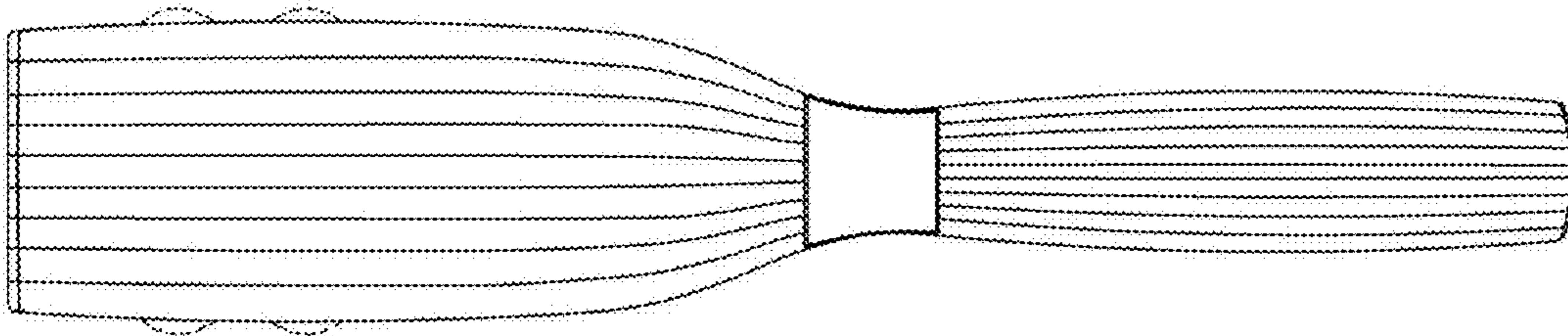


Fig. 6

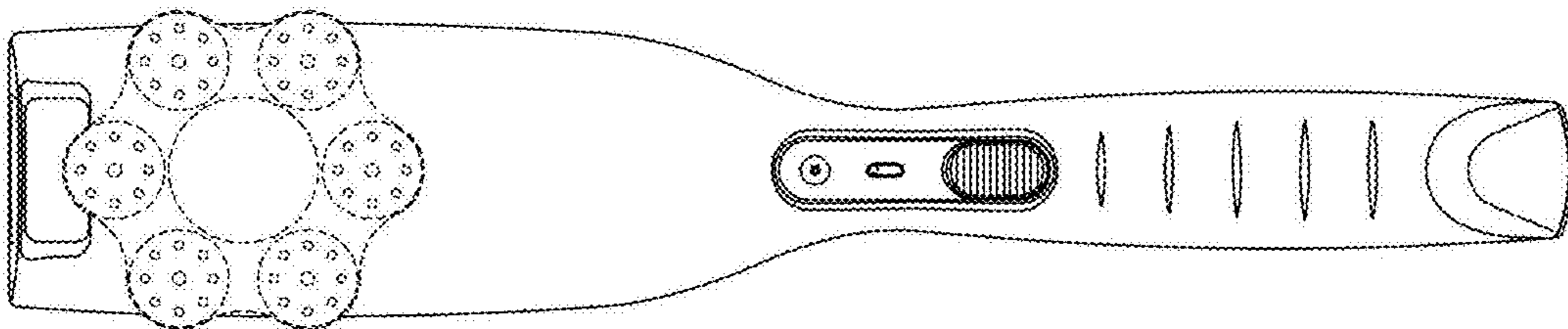


Fig. 7

