



US00D823475S

(12) **United States Design Patent** (10) **Patent No.:** **US D823,475 S**  
**Brown et al.** (45) **Date of Patent:** **\*\* Jul. 17, 2018**

(54) **BABY BOTTLE**

(71) Applicant: **SUMMER INFANT (USA), INC.**,  
Woonsocket, RI (US)

(72) Inventors: **Paul M. Brown**, Slatersville, RI (US);  
**Jeffrey Aaron Doff**, Providence, RI  
(US); **Michael Thomas Fusco**,  
Greenville, RI (US)

(73) Assignee: **Summer Infant (USA), Inc.**,  
Woonsocket, RI (US)

(\*\*) Term: **15 Years**

(21) Appl. No.: **29/553,236**

(22) Filed: **Jan. 29, 2016**

(51) **LOC (11) Cl.** ..... **07-01**

(52) **U.S. Cl.**  
USPC ..... **D24/197**

(58) **Field of Classification Search**  
USPC ..... D24/193, 194, 195, 196, 197, 198, 199,  
D24/207; D7/392, 510, 511, 517, 539,  
D7/619.2; D9/516, 530, 719, 761  
(Continued)

(56) **References Cited**

**U.S. PATENT DOCUMENTS**

D293,534 S \* 1/1988 Bolich ..... D7/511  
6,073,788 A \* 6/2000 Stroud ..... A61J 9/00  
215/11.1

(Continued)

**OTHER PUBLICATIONS**

“Born Free Breeze 5/9oz. Plastic Bottle”. Found online Feb. 1, 2018  
at amazon.ca. Page dated Apr. 24, 2016. Retrieved from [https://www.amazon.ca/Born-Free-Breeze-Plastic-Bottle/dp/B016S53EWG/ref=sr\\_1\\_30?s=baby&ie=UTF8&qid=1517543855&sr=1-30&keywords=born+free.\\*](https://www.amazon.ca/Born-Free-Breeze-Plastic-Bottle/dp/B016S53EWG/ref=sr_1_30?s=baby&ie=UTF8&qid=1517543855&sr=1-30&keywords=born+free.*)

(Continued)

*Primary Examiner* — Robert M. Spear  
*Assistant Examiner* — Kendra Leslie Hamilton  
(74) *Attorney, Agent, or Firm* — Adler Pollock &  
Sheehan P.C.; Daniel J. Holmader, Esq.

(57) **CLAIM**

A baby bottle, as shown and described.

**DESCRIPTION**

FIG. 1 is a top front right perspective view of a first embodiment of a baby bottle, showing our new design in a condition of use;

FIG. 2 is a front elevational view thereof;

FIG. 3 is a left side elevational view thereof, the right side is a mirror image thereof;

FIG. 4 is a rear elevational view thereof;

FIG. 5 is a top plan view thereof;

FIG. 6 is a bottom plan view thereof;

FIG. 7 is a top front right perspective view thereof, shown in an alternate condition of use;

FIG. 8 is a left side elevational thereof, all sides being identical;

FIG. 9 is a top plan view thereof;

FIG. 10 is a top front right perspective view of a second embodiment of a baby bottle shown in a condition of use;

FIG. 11 is a front elevational view thereof;

FIG. 12 is a left side elevational view thereof, the right side is a mirror image thereof;

FIG. 13 is a rear elevational view thereof;

FIG. 14 is a top plan view thereof;

FIG. 15 is a bottom plan view thereof;

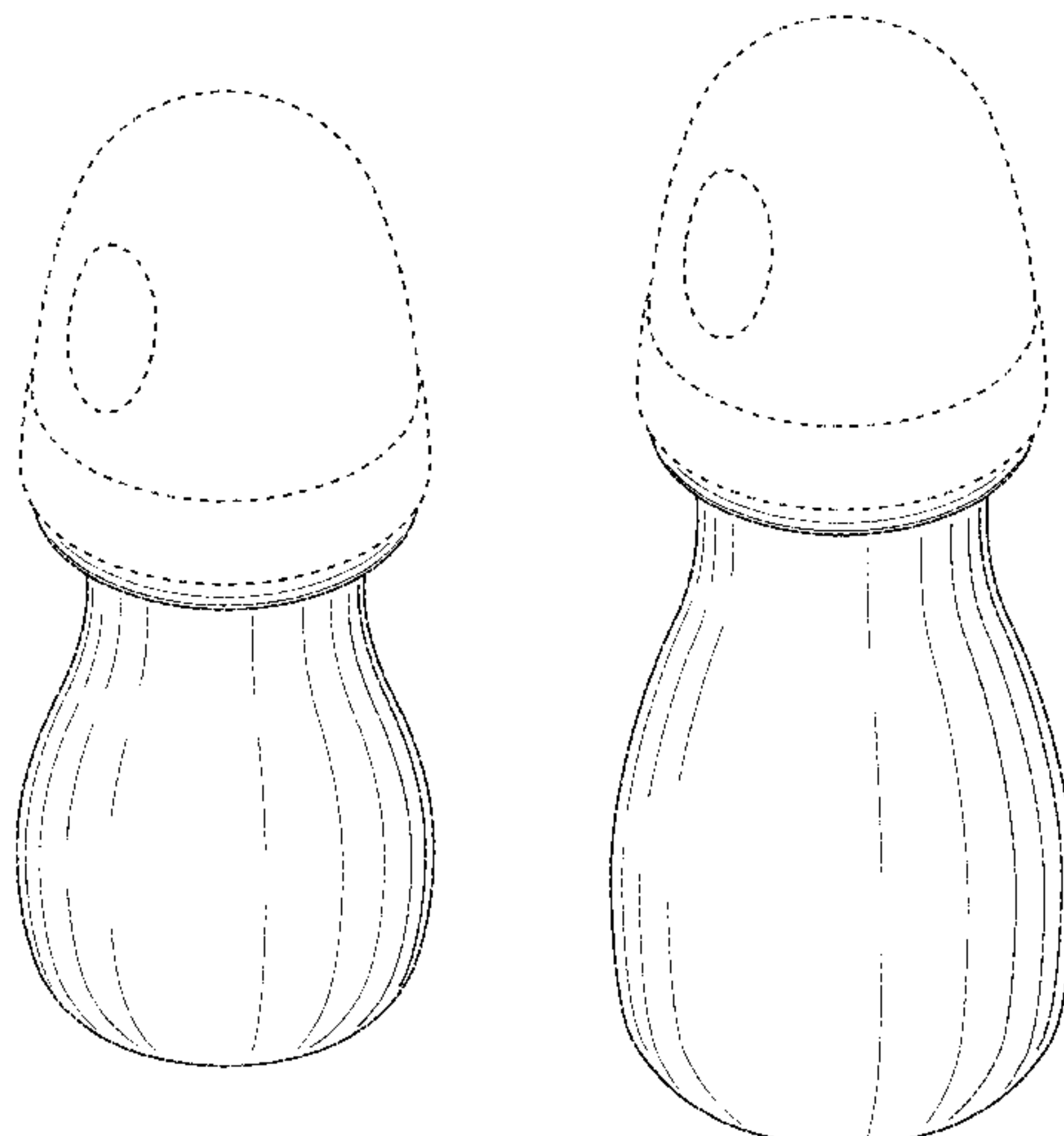
FIG. 16 is a top front right perspective view thereof, shown in an alternate condition of use;

FIG. 17 is a left side elevational thereof, all sides being identical; and,

FIG. 18 is a top plan view thereof.

The broken line showing of a cap and a nipple in the drawings represents unclaimed environmental subject matter and forms no part of the claimed design.

**1 Claim, 10 Drawing Sheets**



- (58) **Field of Classification Search**  
 CPC ..... A61J 9/00; A61J 9/0623  
 See application file for complete search history.

(56) **References Cited**

U.S. PATENT DOCUMENTS

6,092,680	A *	7/2000	Pillado .....	A61J 9/00 215/11.1
D604,991	S *	12/2009	Ablo .....	D7/300.1
D614,959	S *	5/2010	Floyd .....	D9/516
D666,731	S *	9/2012	Mustecaplioglu .....	D24/197
D681,217	S *	4/2013	Smith .....	D24/197
D729,394	S *	5/2015	Roehrig .....	D24/197
D783,358	S *	4/2017	Schlegel .....	D7/510
2006/0213855	A1 *	9/2006	Kraus .....	A61J 9/00 215/11.1
2015/0290086	A1 *	10/2015	Prentice .....	A61J 9/04 215/11.5
2016/0089306	A1 *	3/2016	Chee .....	A61J 9/00 215/11.1
2017/0020787	A1 *	1/2017	Guri .....	A61J 9/00

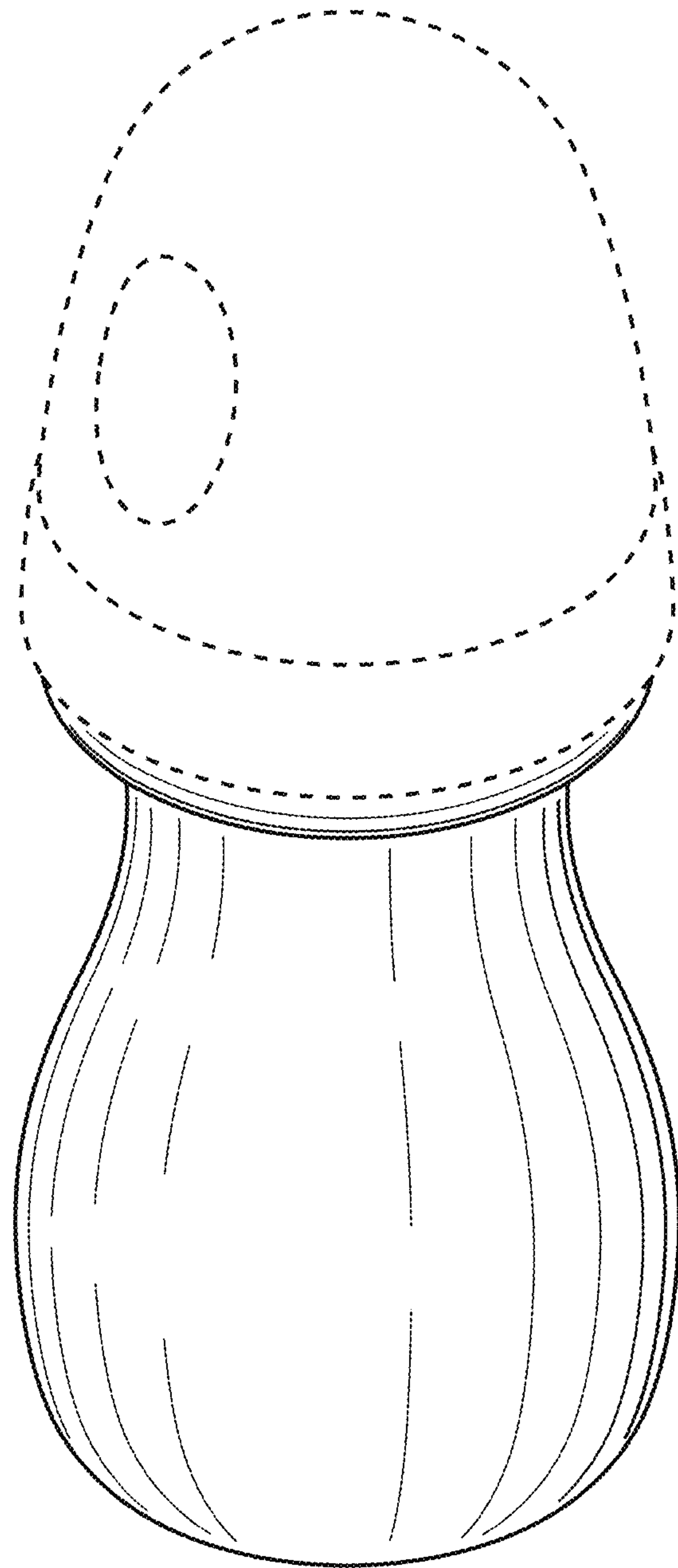
OTHER PUBLICATIONS

“MAM 160 ml Anti Colic Bottle”. Found online Feb. 1, 2018 at amazon.co.uk. Page dated Nov. 25, 2011. Retrieved from [http://www.amazon.co.uk/MAM-Anti-Colic-Bottle-3-Pack/dp/B006FFASOW/ref=sr\\_1\\_40?s=baby&ie=UTF8&qid=1404997894&sr=1-40&keywords=mam+bottles.\\*](http://www.amazon.co.uk/MAM-Anti-Colic-Bottle-3-Pack/dp/B006FFASOW/ref=sr_1_40?s=baby&ie=UTF8&qid=1404997894&sr=1-40&keywords=mam+bottles.*)

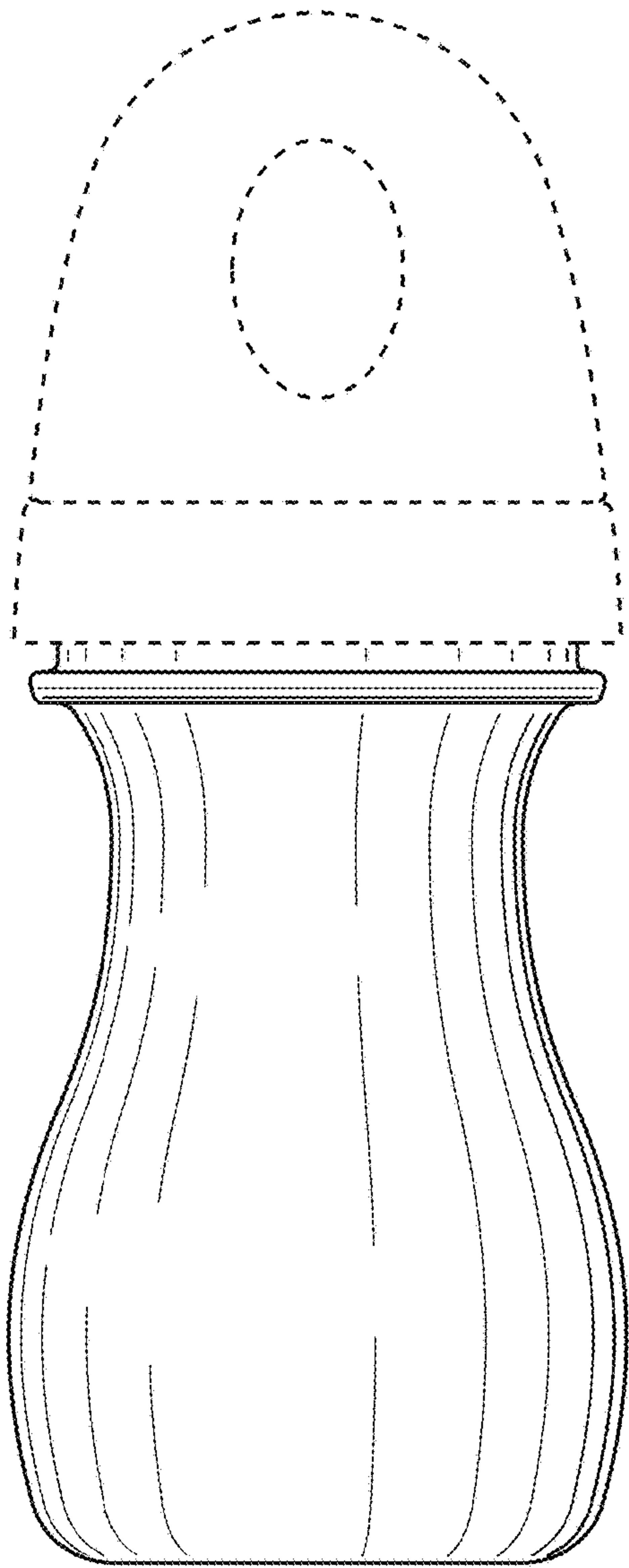
“Farlin 150CC Firm Base Feeding Bottle”. Found online Feb. 1, 2018 at amazon.in. Page dated Jul. 2, 2013. Retrieved from [https://www.amazon.in/Farlin-150CC-Feeding-Bottle-Small/dp/B00DQKWPF0/ref=sr\\_1\\_168?s=baby&ie=UTF8&qid=1517541046&sr=1-168.\\*](https://www.amazon.in/Farlin-150CC-Feeding-Bottle-Small/dp/B00DQKWPF0/ref=sr_1_168?s=baby&ie=UTF8&qid=1517541046&sr=1-168.*)

“Momma Non-Spill Sippy Cup Double Handle”. Found online Feb. 1, 2018 at amazon.com. Page dated Oct. 5, 2010. Retrieved from [https://www.amazon.com/...pill-Double-Handle-Discontinued-Manufacturer/dp/B0039MJ48A/ref=sr\\_1\\_87\\_s\\_it?s=baby-products&ie=UTF8&qid=1472232780&sr=1-87&keywords=bottle+grip.\\*](https://www.amazon.com/...pill-Double-Handle-Discontinued-Manufacturer/dp/B0039MJ48A/ref=sr_1_87_s_it?s=baby-products&ie=UTF8&qid=1472232780&sr=1-87&keywords=bottle+grip.*)

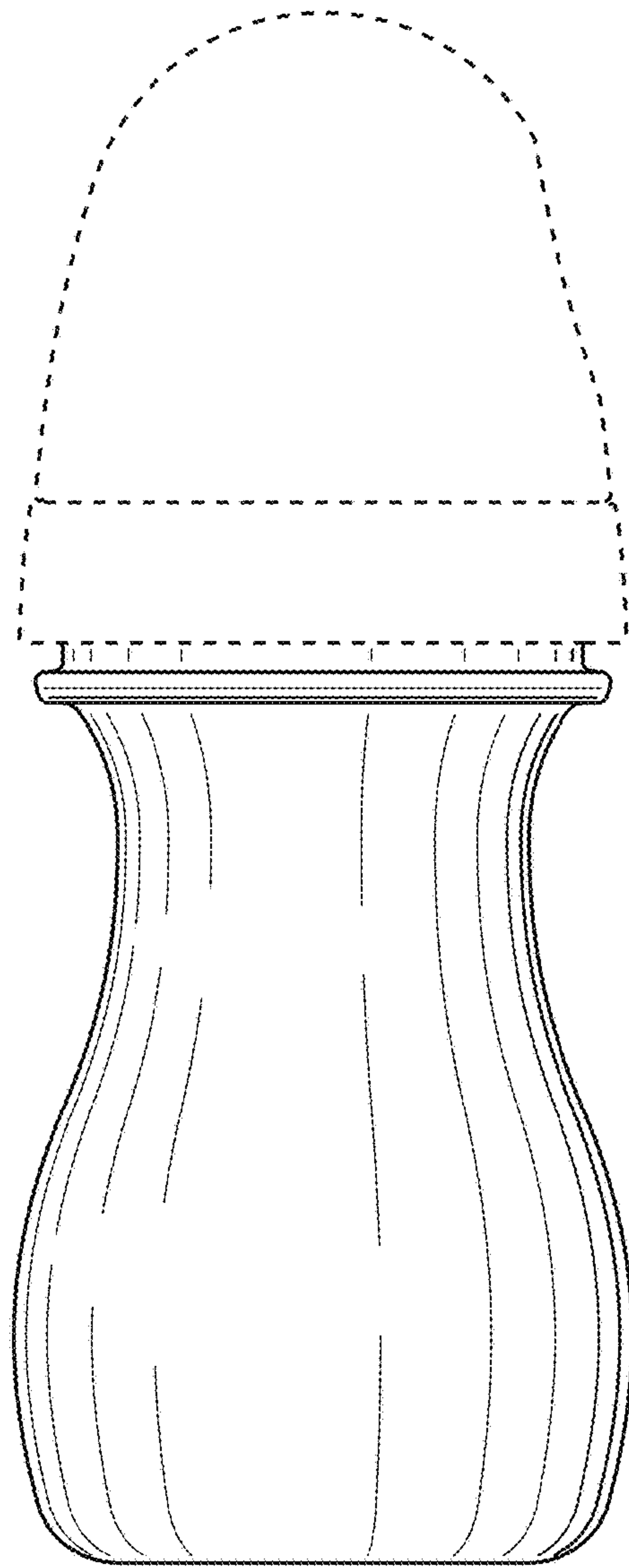
\* cited by examiner



**FIG. 1**

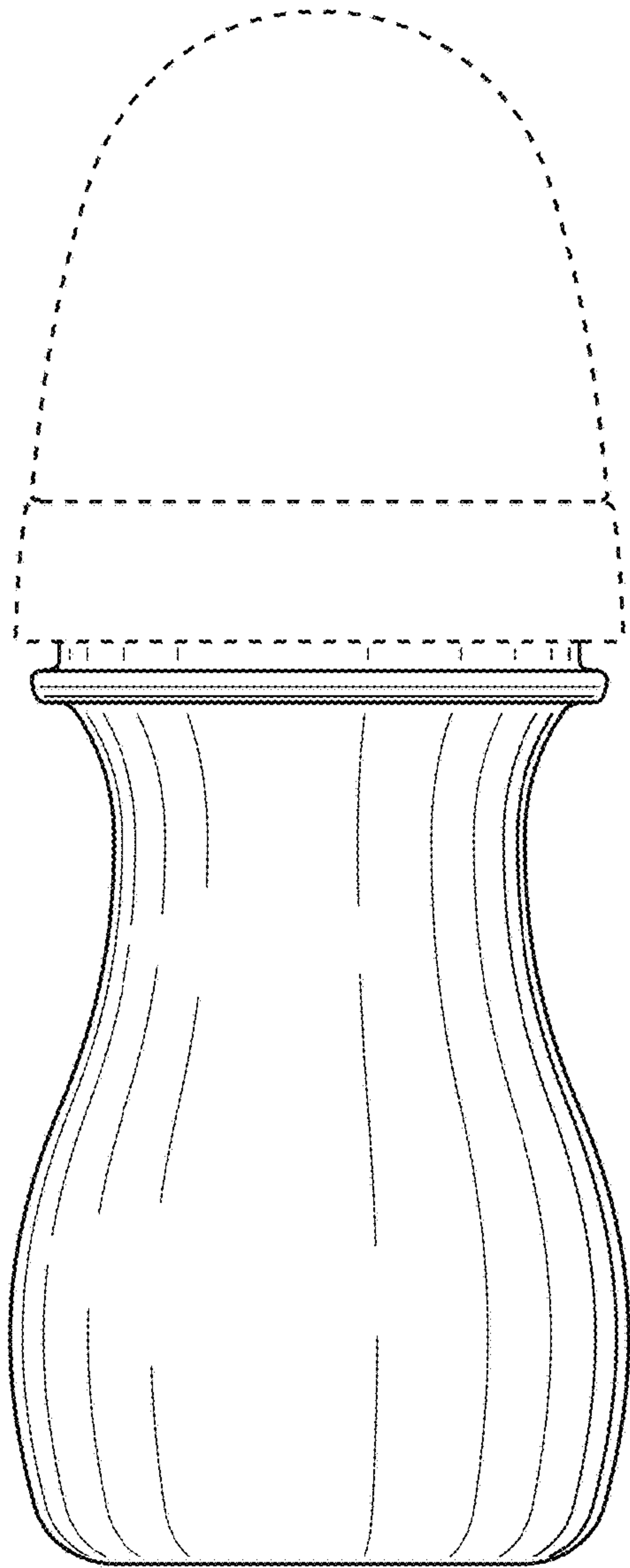


**FIG. 2**

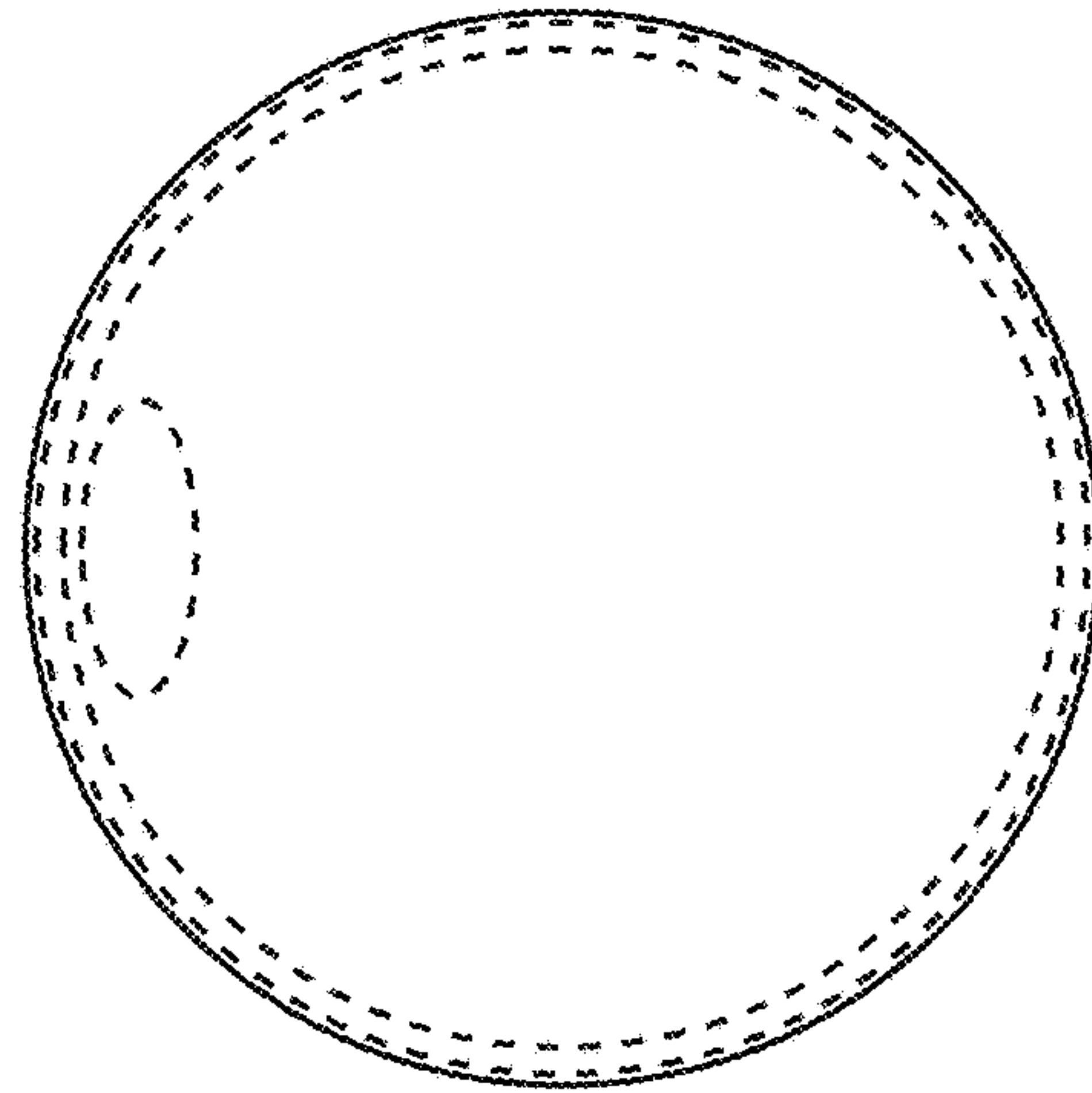


**FIG. 3**

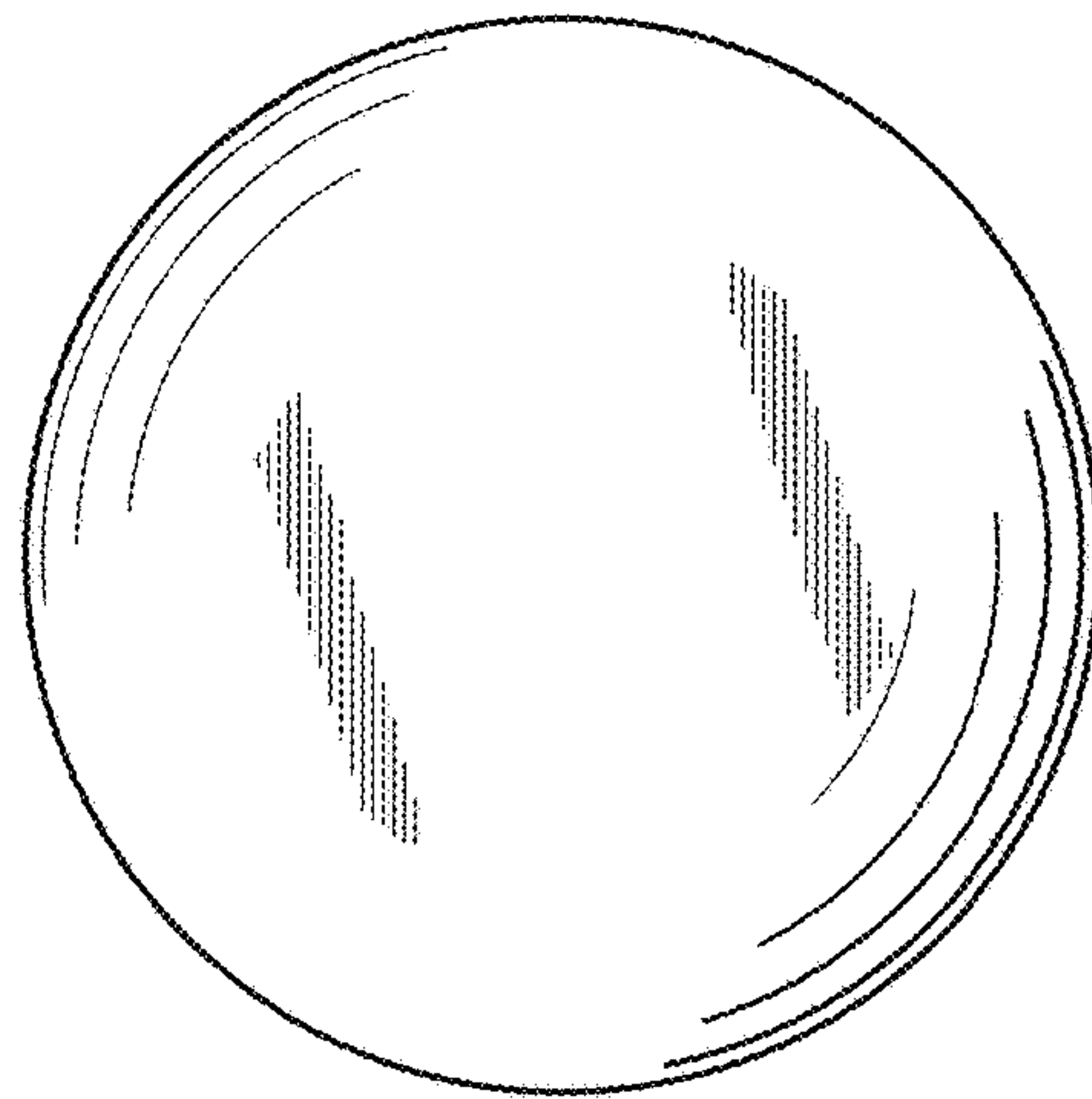




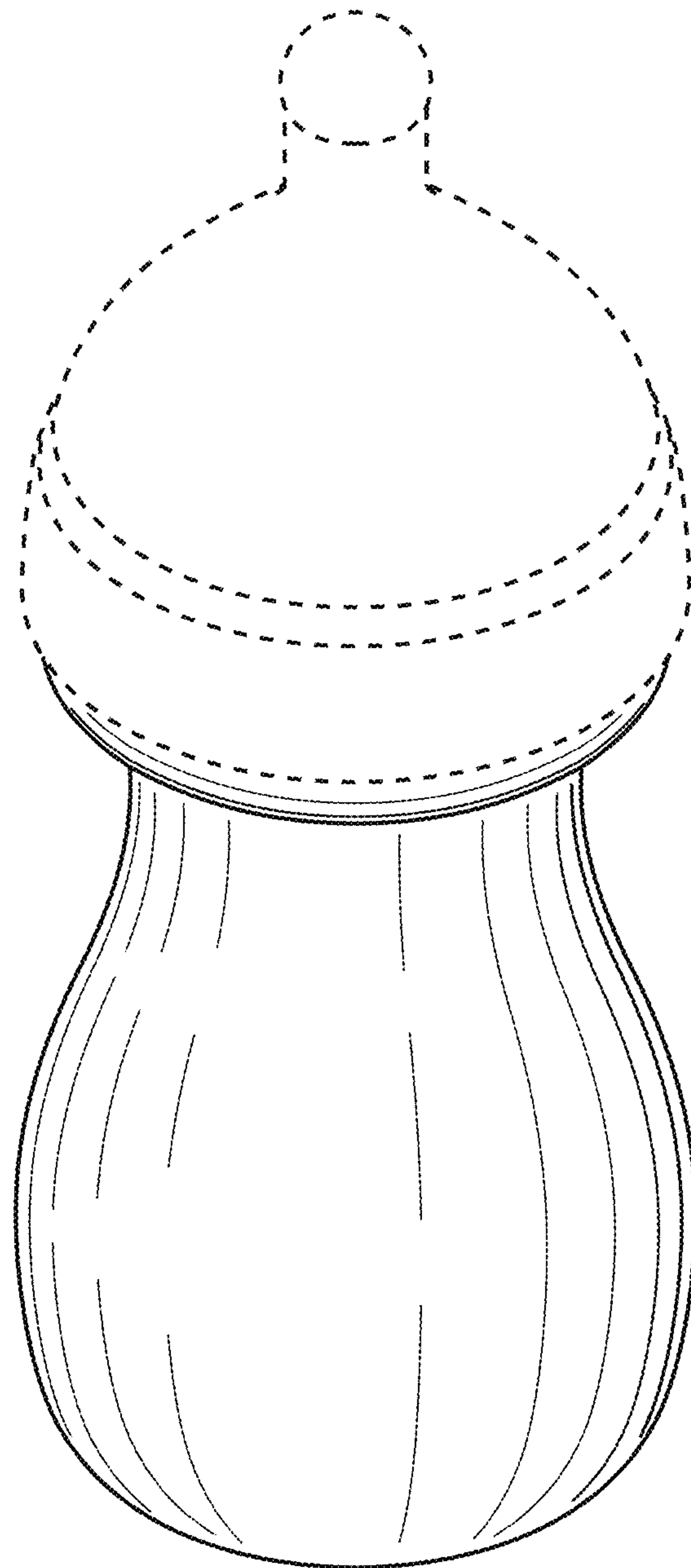
**FIG. 4**



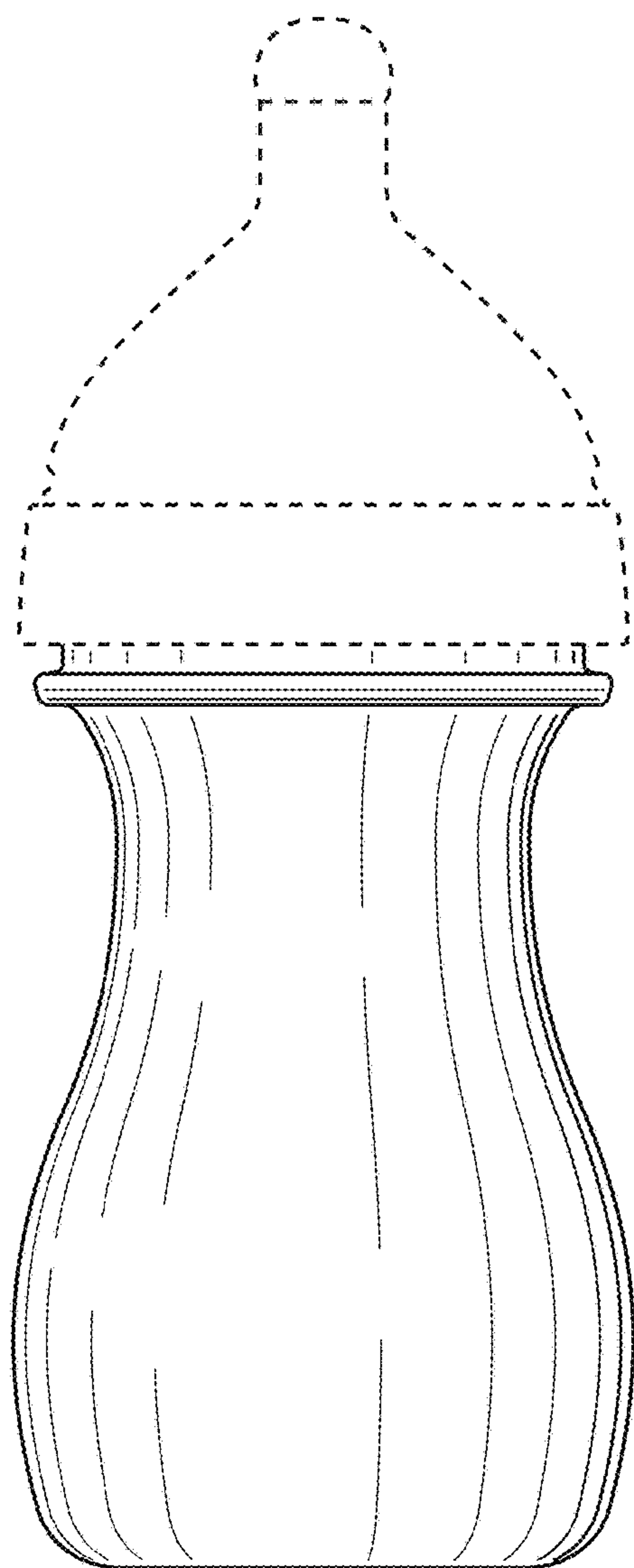
**FIG. 5**



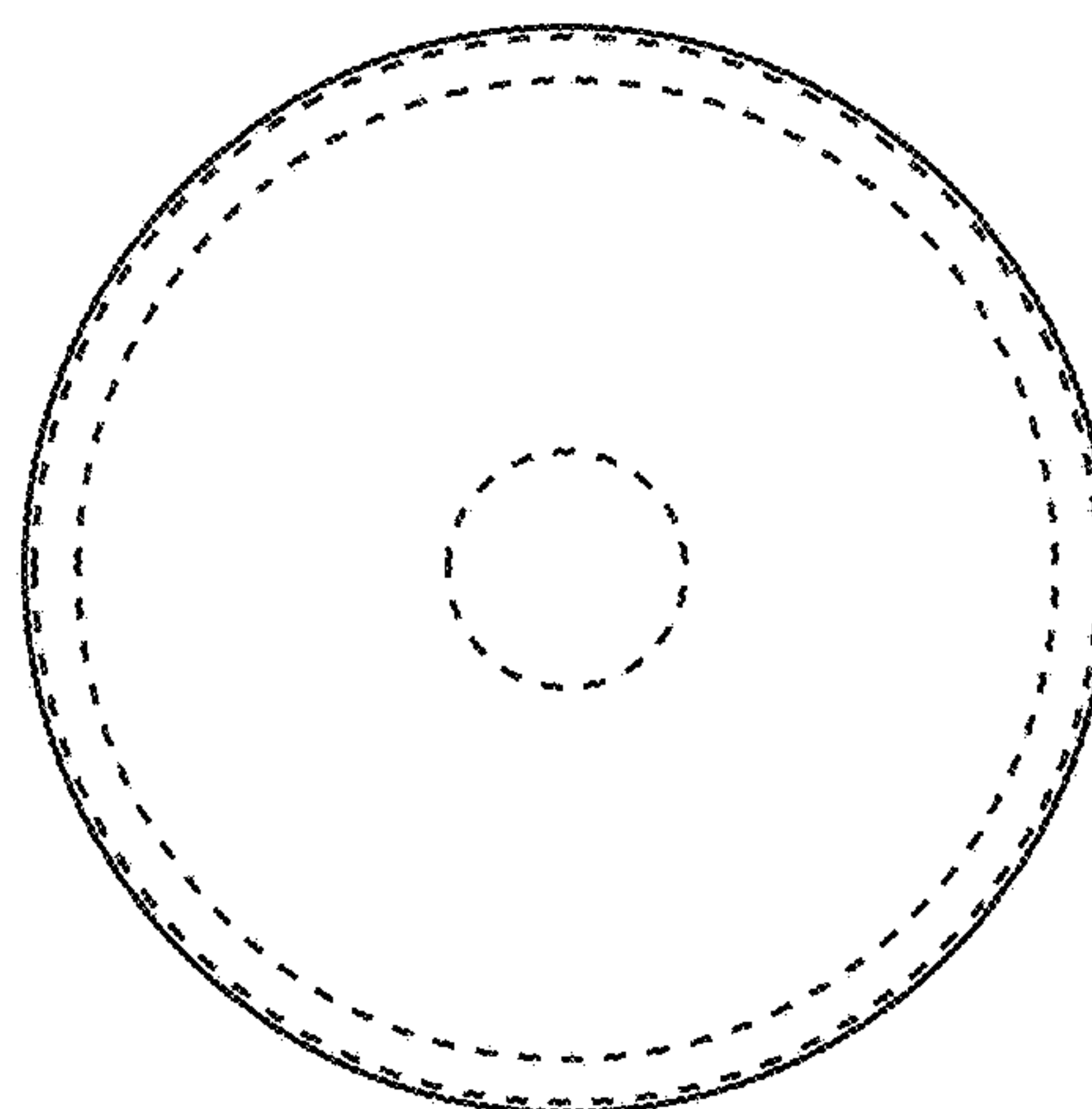
**FIG. 6**



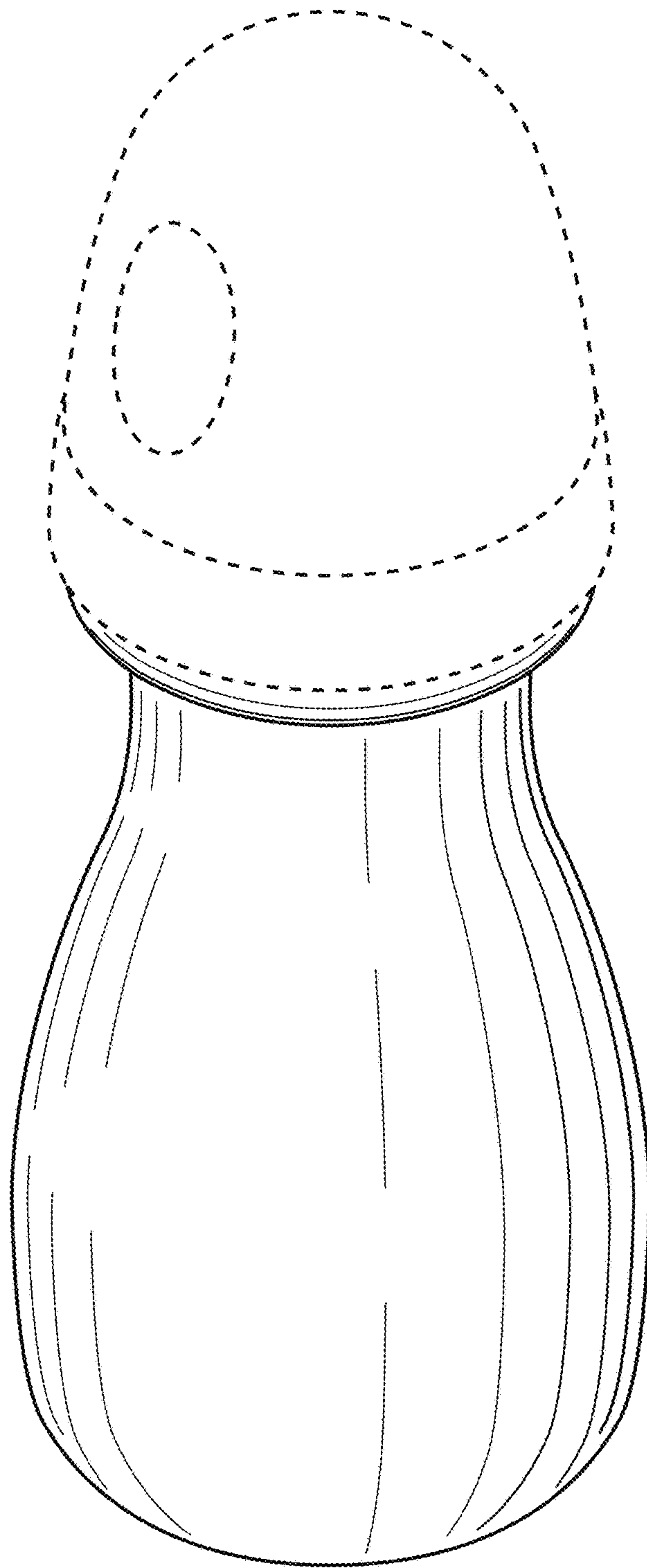
**FIG. 7**



**FIG. 8**

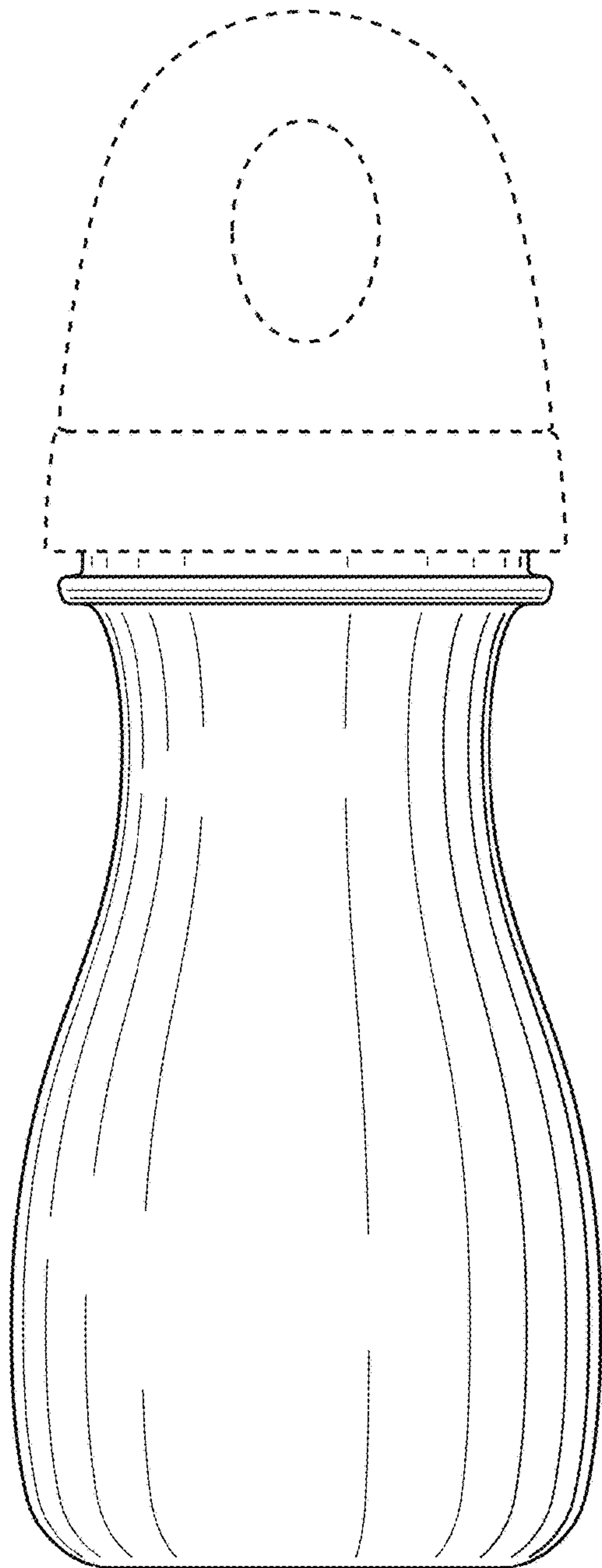


**FIG. 9**

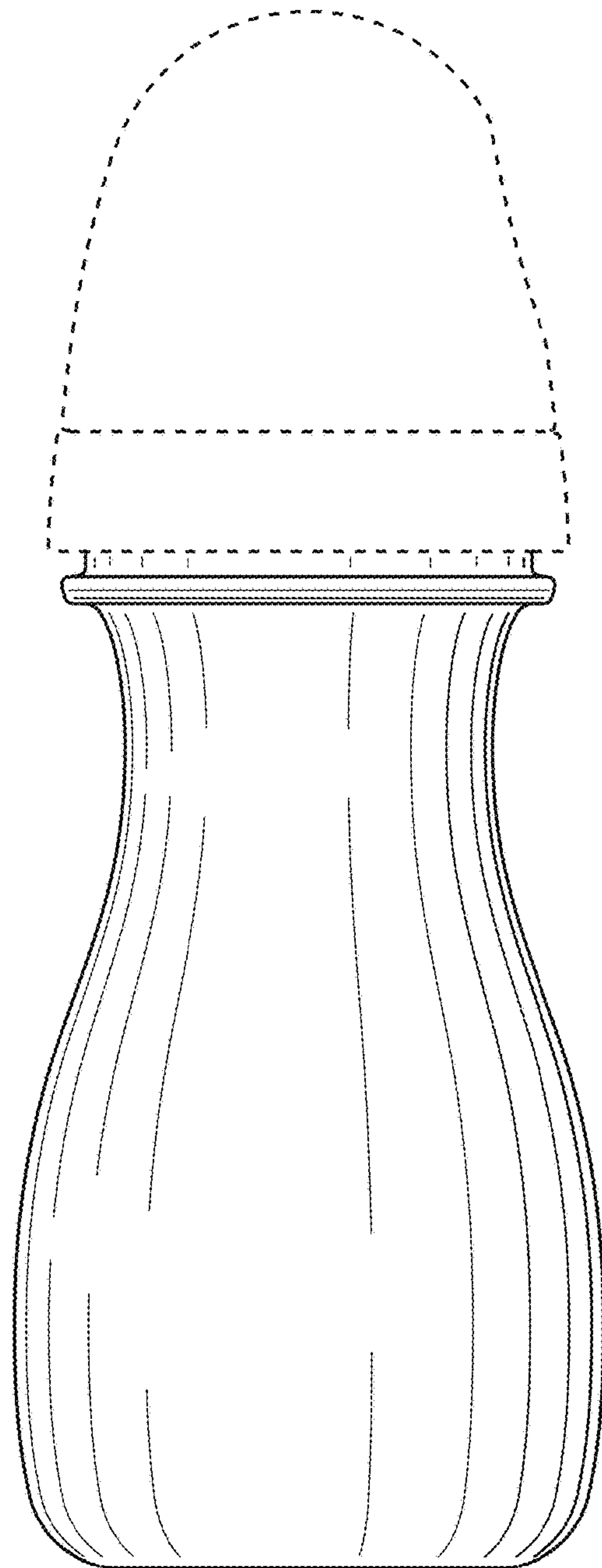


**FIG. 10**

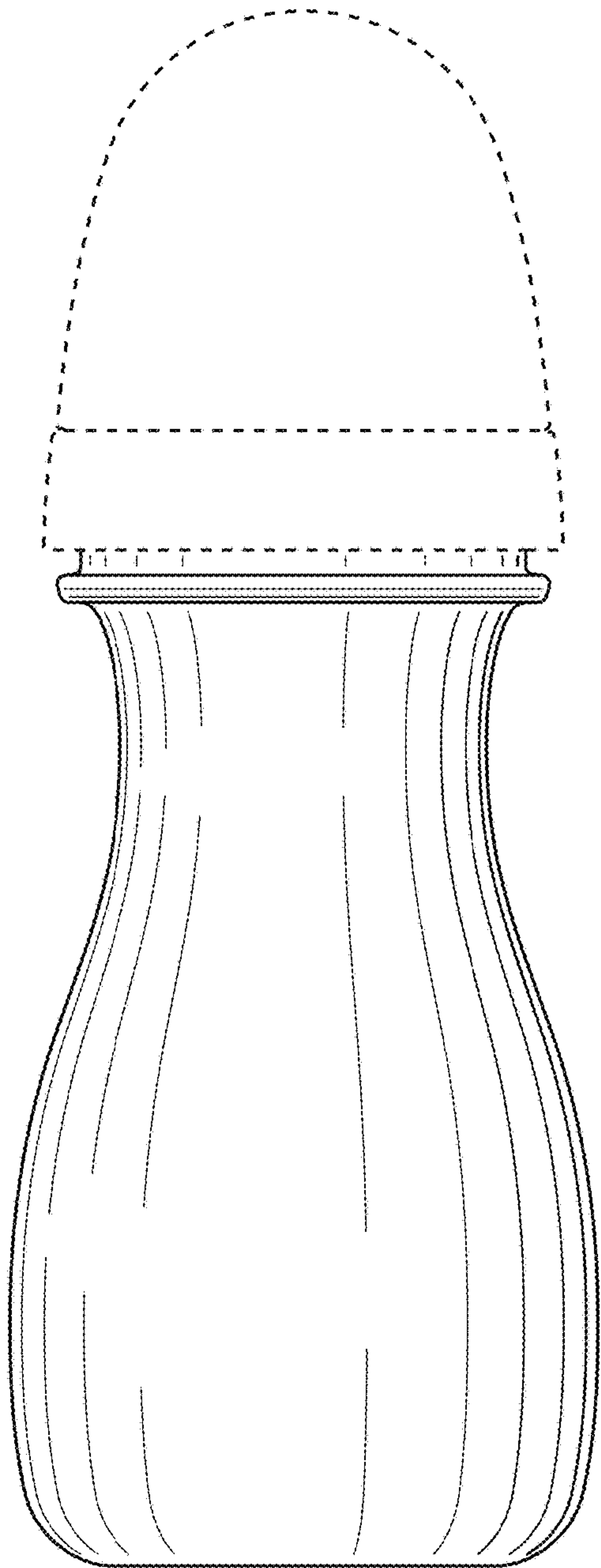




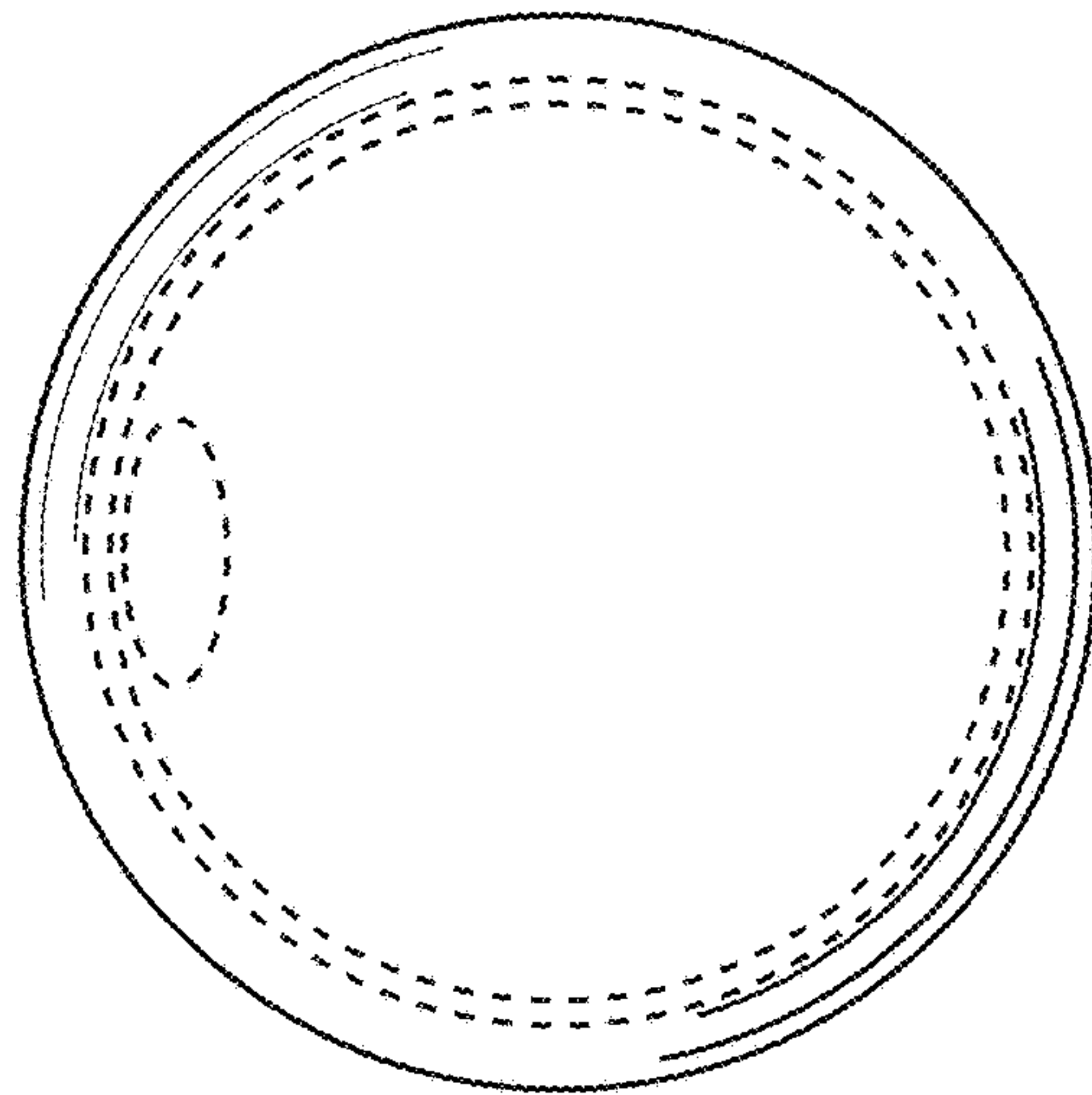
**FIG. 11**



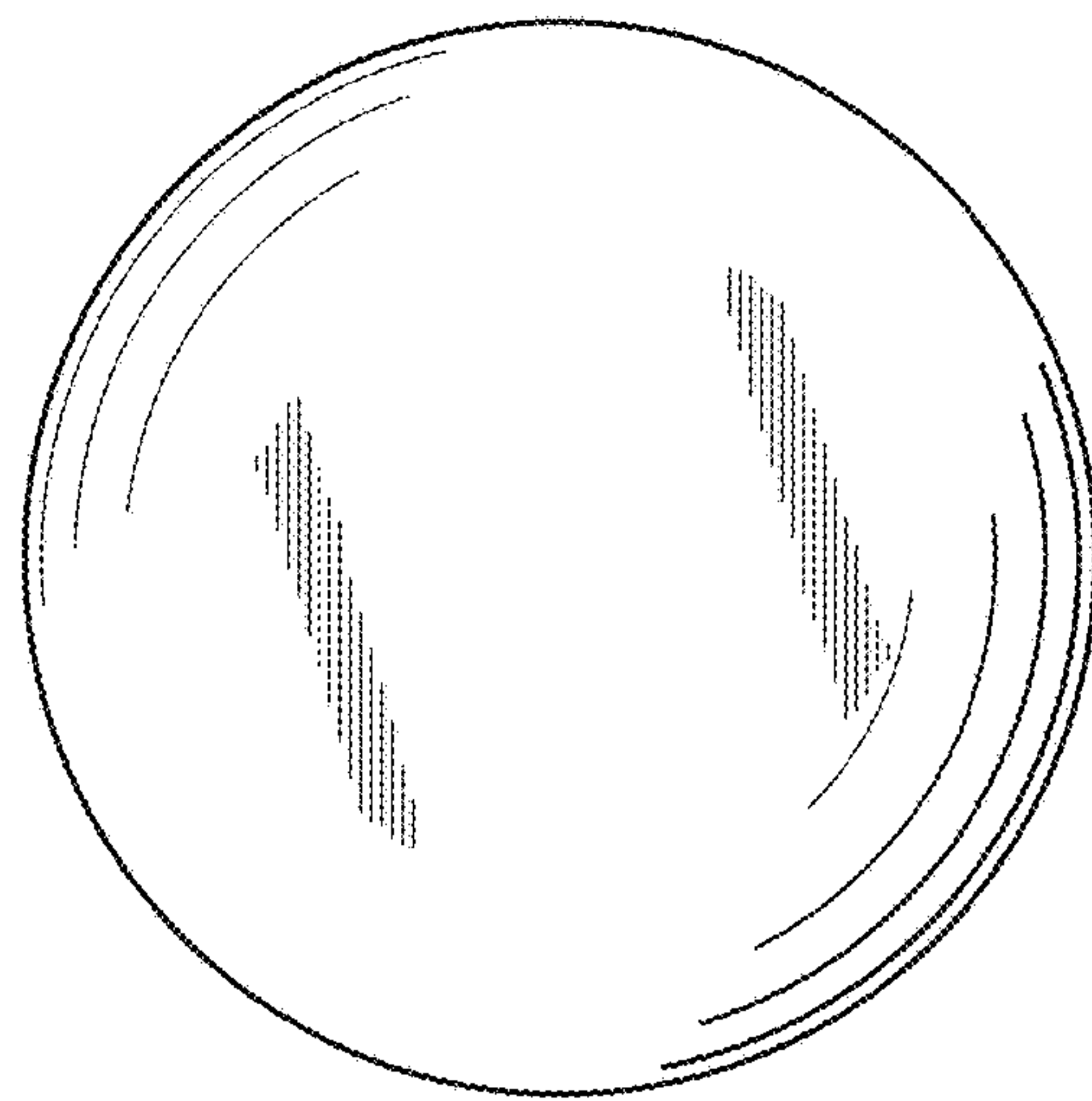
**FIG. 12**



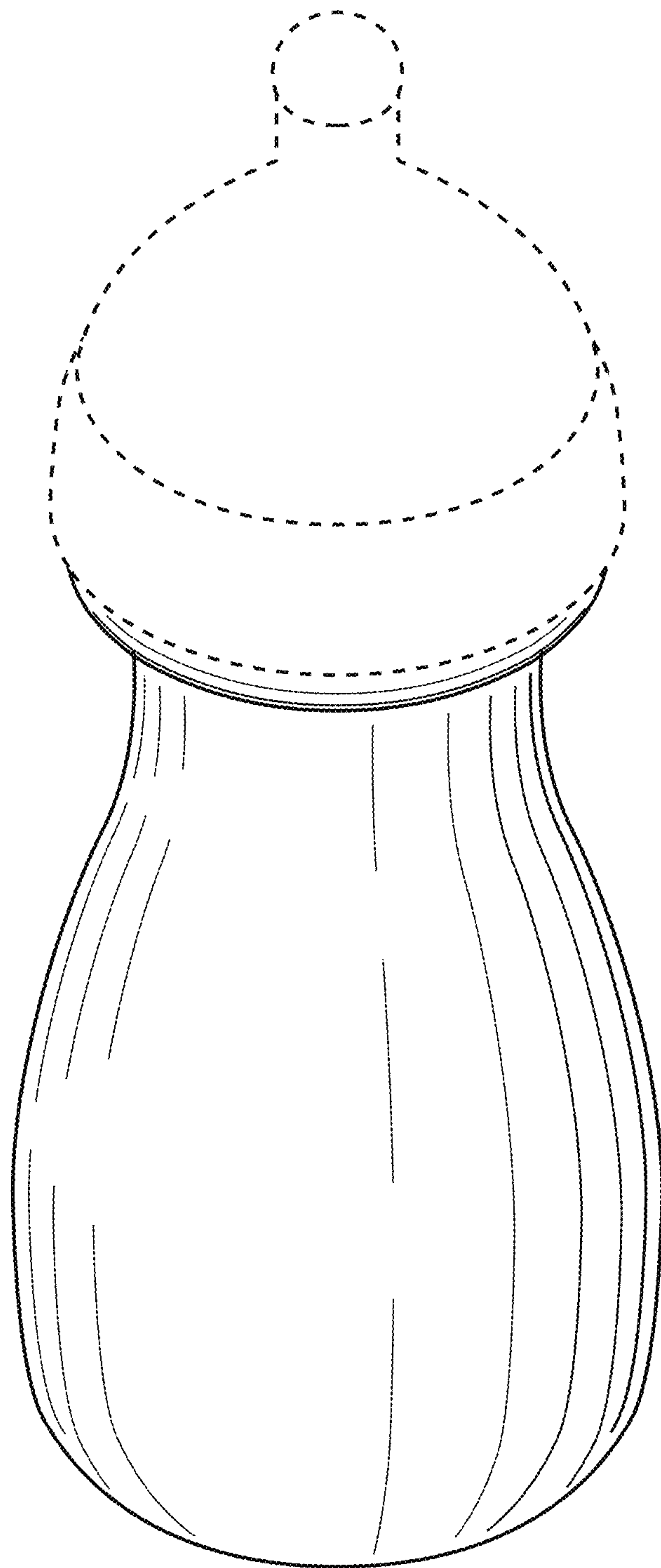
**FIG. 13**



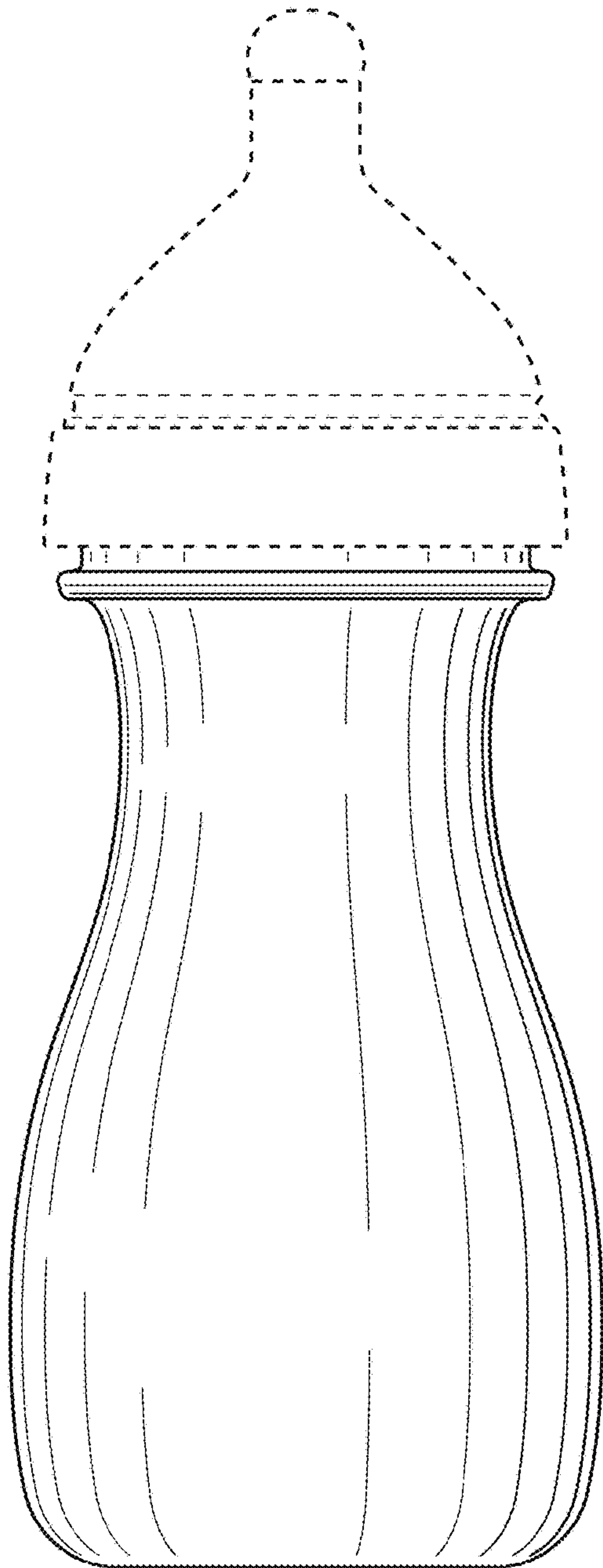
**FIG. 14**



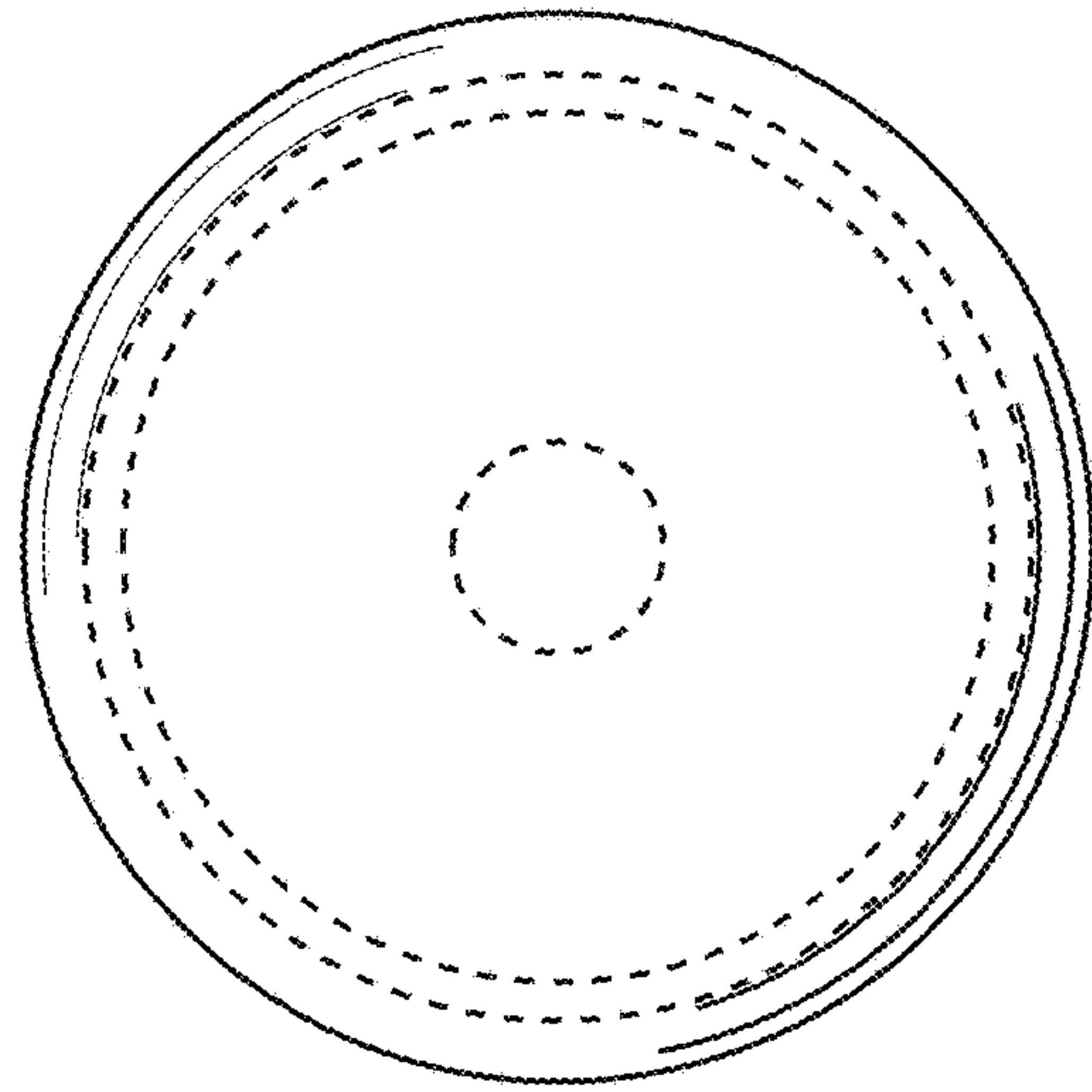
**FIG. 15**



**FIG. 16**



**FIG. 17**



**FIG. 18**