



US00D823474S

(12) **United States Design Patent** (10) **Patent No.:** **US D823,474 S**  
**Brown et al.** (45) **Date of Patent:** **\*\* Jul. 17, 2018**

(54) **NIPPLED TOP FOR A BABY BOTTLE**

OTHER PUBLICATIONS

- (71) Applicant: **SUMMER INFANT (USA), INC.**,  
Woonsocket, RI (US)
- (72) Inventors: **Paul M. Brown**, Slatersville, RI (US);  
**Jeffrey Aaron Doff**, Providence, RI  
(US); **Michael Thomas Fusco**,  
Greenville, RI (US)
- (73) Assignee: **SUMMER INFANT (USA), INC.**,  
Woonsocket, RI (US)
- (\*\*) Term: **15 Years**
- (21) Appl. No.: **29/553,239**
- (22) Filed: **Jan. 29, 2016**
- (51) **LOC (11) Cl.** ..... **24-04**
- (52) **U.S. Cl.**  
USPC ..... **D24/196**
- (58) **Field of Classification Search**  
USPC ..... D24/193, 194, 195, 196, 197, 198, 199;  
215/11.1, 11.2, 11.3, 11.4, 11.5, 11.6;  
606/236  
CPC ..... A61J 11/00; A61J 11/0035; A61J 11/0045  
See application file for complete search history.

“Born Free Breeze 5/9 oz. Plastic Bottle”. Found online Feb. 1, 2018 at amazon.ca. Page dated Apr. 24, 2016. Retrieved from [https://www.amazon.ca/Born-Free-Breeze-Plastic-Bottle/dp/B016S53EWG/ref=sr\\_1\\_30?s=baby&ie=UTF8&qid=1517543855&sr=1-30&keywords=born+free.\\*](https://www.amazon.ca/Born-Free-Breeze-Plastic-Bottle/dp/B016S53EWG/ref=sr_1_30?s=baby&ie=UTF8&qid=1517543855&sr=1-30&keywords=born+free.*)

“Choosing Feeding Nipples and Pacifiers”. Found online Mar. 1, 2018 at motherforlife.com. Page dated Nov. 4, 2013. Retrieved from [http://www.motherforlife.com/shopping/special-themes/8307-choosing-feeding-nipples-and-pacifiers.thtml?.\\*](http://www.motherforlife.com/shopping/special-themes/8307-choosing-feeding-nipples-and-pacifiers.thtml?.*)

“Comotomo Natural Feel Baby Bottle”. Found online Feb. 12, 2018 at amazon.com. Page dated Feb. 25, 2011. Retrieved from [https://www.amazon.com/Comotomo-Natural-Bottle-Green-Ounces/dp/B004C053AQ/ref=cm\\_cr\\_arp\\_d\\_product\\_top?ie=UTF8&th=1.\\*](https://www.amazon.com/Comotomo-Natural-Bottle-Green-Ounces/dp/B004C053AQ/ref=cm_cr_arp_d_product_top?ie=UTF8&th=1.*)

“Adiri Natural Nurser Review”. Found online Feb. 9, 2018 at yankodesign.com. Page dated Dec. 4, 2008. Retrieved from [http://www.yankodesign.com/2008/12/04/better-bottle-for-baby-adiri-natural-nurser-review/.\\*](http://www.yankodesign.com/2008/12/04/better-bottle-for-baby-adiri-natural-nurser-review/.*)

\* cited by examiner

*Primary Examiner* — George D. Kirschbaum  
*Assistant Examiner* — Kendra Leslie Hamilton  
 (74) *Attorney, Agent, or Firm* — Adler Pollock & Sheehan P.C.; Daniel J. Holmander, Esq.

(56) **References Cited**

U.S. PATENT DOCUMENTS

- 2,105,170 A \* 1/1938 Tarrant ..... A61J 11/00  
119/71
- 2,822,102 A \* 2/1958 Holland ..... A61J 11/02  
215/11.1
- D384,748 S \* 10/1997 Dunn ..... D24/196
- D439,983 S \* 4/2001 Dealing ..... D24/194
- D463,567 S \* 9/2002 Morano ..... D24/196
- D464,434 S \* 10/2002 Morano ..... D24/197
- D564,665 S \* 3/2008 Kim ..... D24/193
- D635,683 S \* 4/2011 Shaikh ..... D24/196
- D681,216 S \* 4/2013 Smith ..... D24/196
- D739,539 S \* 9/2015 Khachikian ..... D24/195
- D749,745 S \* 2/2016 Prentice ..... D24/197
- 2003/0093121 A1 \* 5/2003 Randolph ..... A61J 11/0035  
606/236
- 2018/0036207 A1 \* 2/2018 Clores ..... A61J 11/002

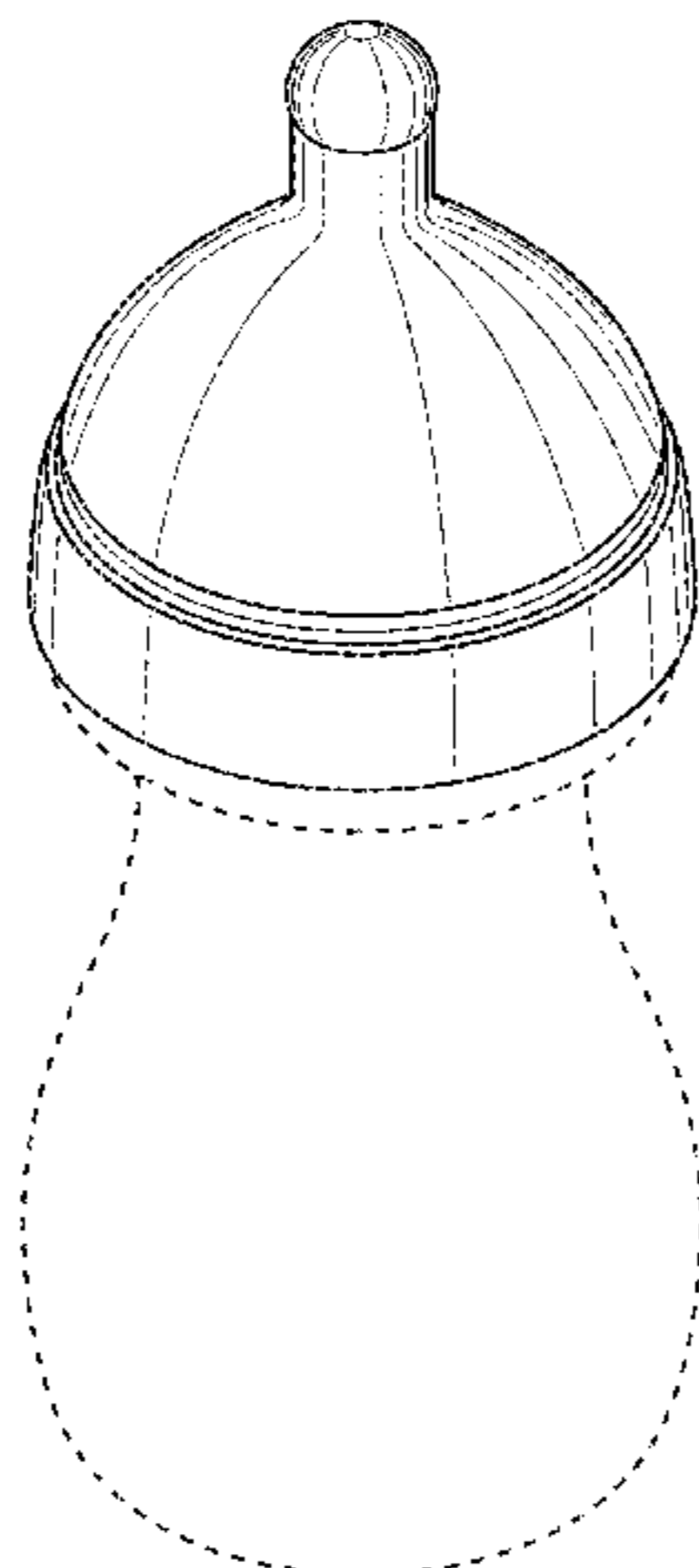
(57) **CLAIM**

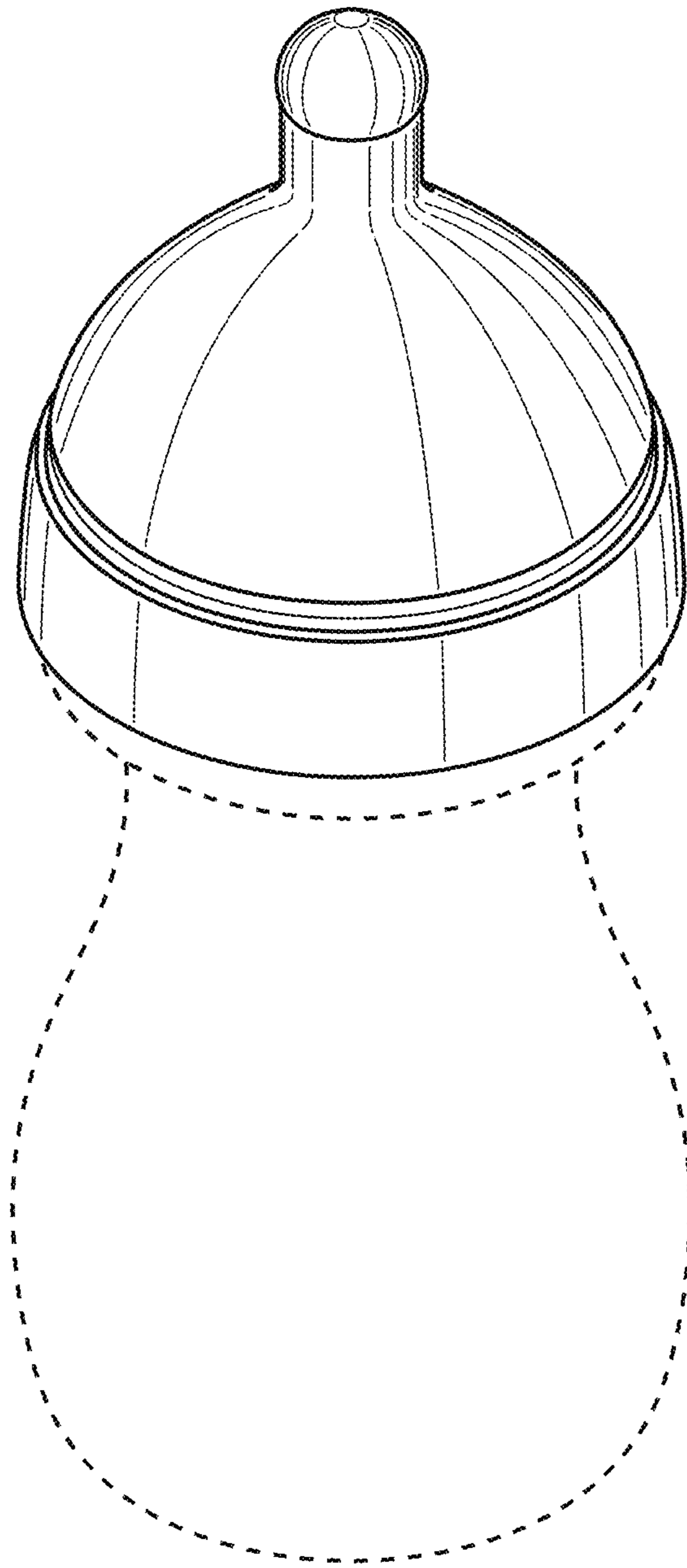
A design for a nipples top for a baby bottle, as shown and described.

**DESCRIPTION**

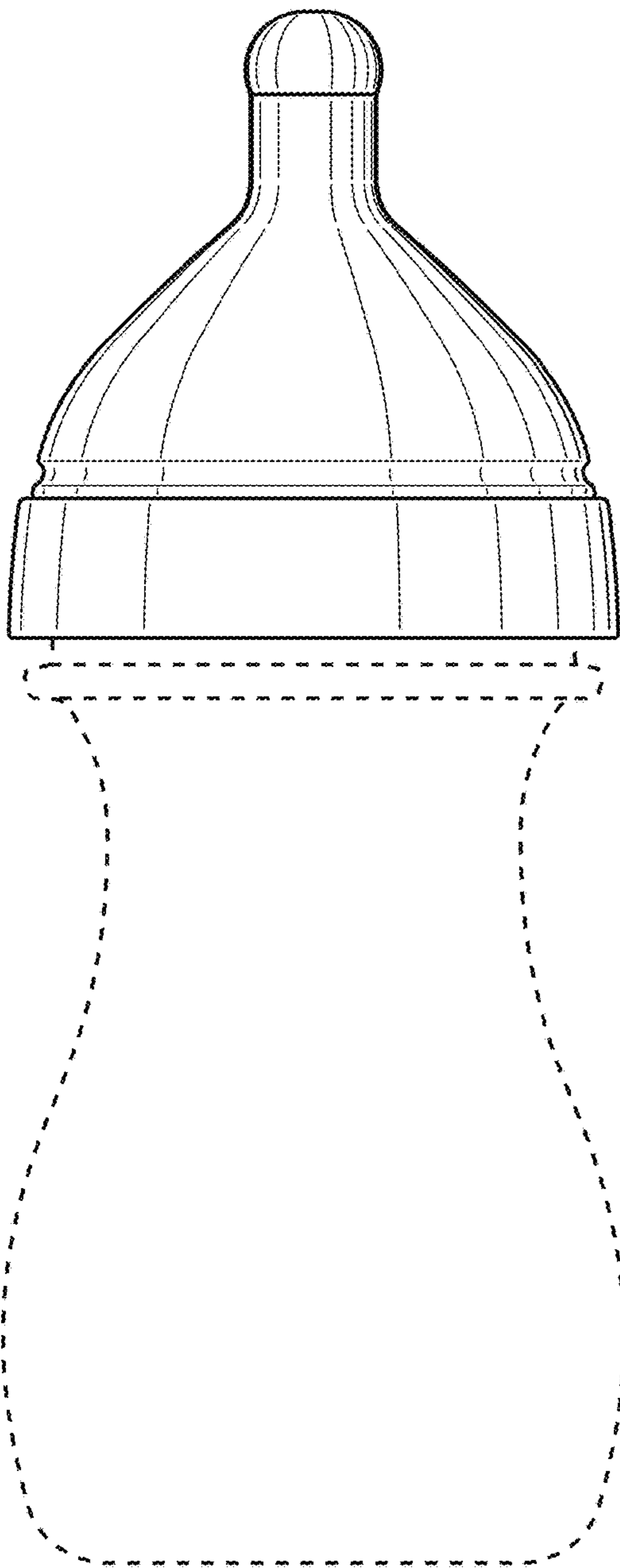
FIG. 1 is a top front right perspective view of a nipples top for a baby bottle, showing our new design in a condition of use;  
 FIG. 2 is a front elevational view thereof;  
 FIG. 3 is a top plan view thereof; and,  
 FIG. 4 is a bottom plan view thereof.  
 The broken line showing of a baby bottle in the drawings represents unclaimed environmental subject matter and forms no part of the claimed design.

**1 Claim, 2 Drawing Sheets**

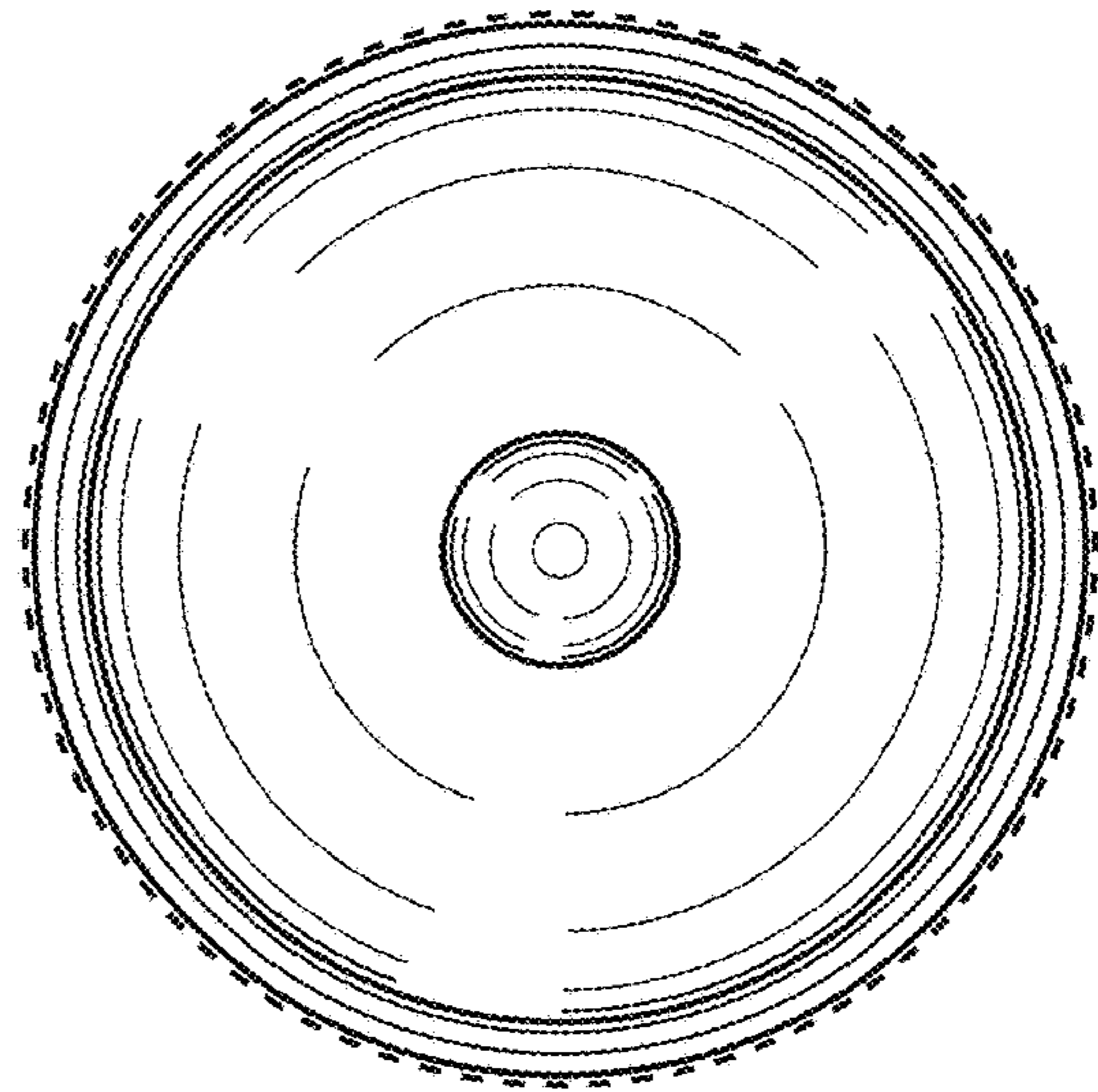




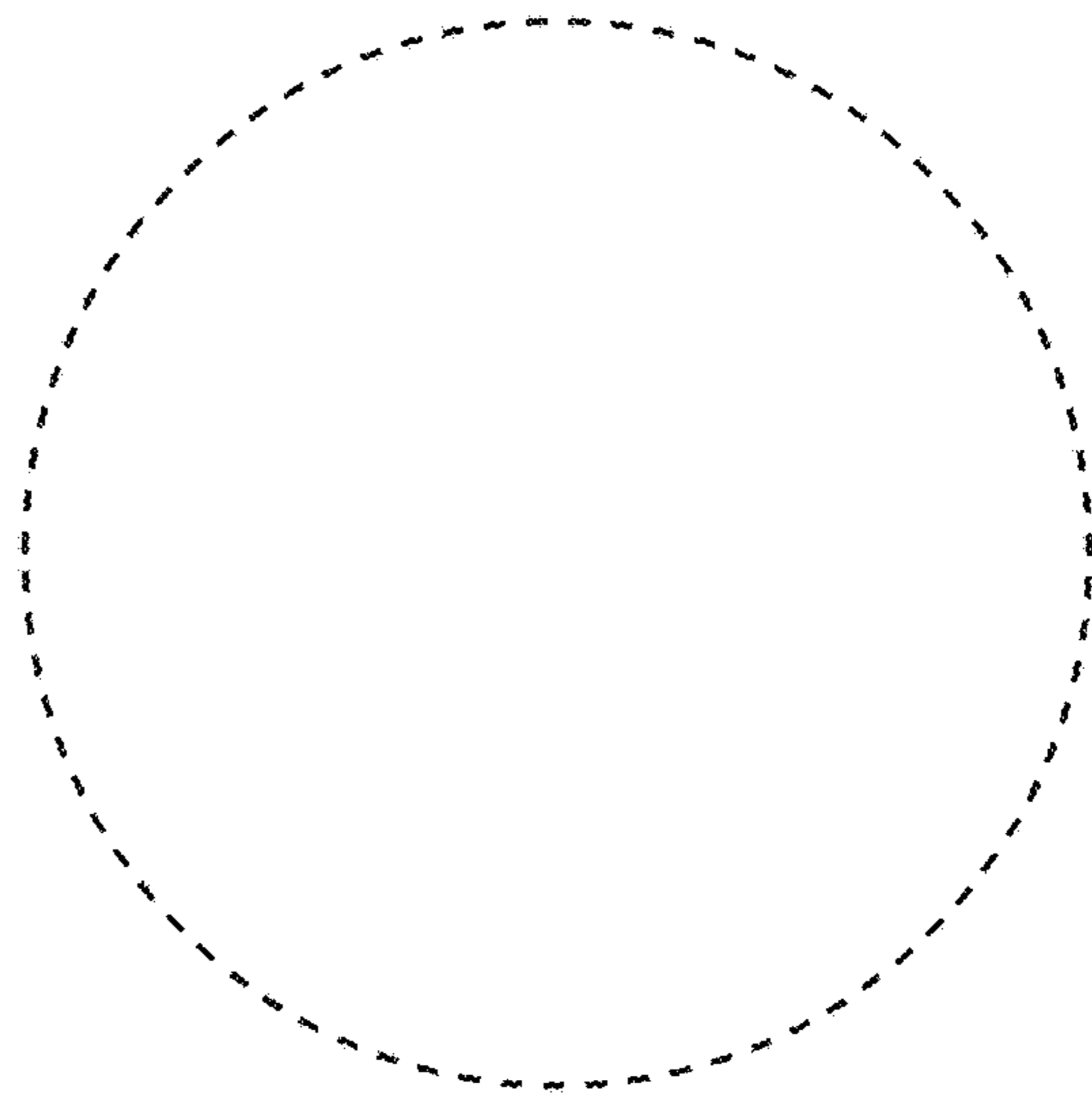
**FIG. 1**



**FIG. 2**



**FIG. 3**



**FIG. 4**