



US00D823473S

(12) **United States Design Patent** (10) **Patent No.:** **US D823,473 S**
Frymark et al. (45) **Date of Patent:** **** Jul. 17, 2018**

(54) **DENTAL MATRIX RING**
(71) Applicant: **Young Microbrush, LLC**, Grafton, WI (US)
(72) Inventors: **John Frymark**, Chicago, IL (US); **Eri Hino**, Chicago, IL (US); **Richard Gaggioli**, Greenfield, WI (US); **John Boos**, Grand Haven, MI (US); **Robert E. Kreutzer, Jr.**, Columbia, IL (US)

6,589,053 B2 7/2003 Bills
6,712,608 B2 3/2004 Bills
6,981,870 B2 1/2006 Heasley
7,175,432 B2 2/2007 McDonald
7,214,058 B2 5/2007 Summer
D604,854 S 11/2009 McDonald

(Continued)

FOREIGN PATENT DOCUMENTS

DE 102013109487 A1 3/2015
FR 2820024 A1 8/2002

(73) Assignee: **Young Microbrush, LLC**, Grafton, WI (US)

OTHER PUBLICATIONS

(**) Term: **15 Years**

Restriction Requirement dated Apr. 27, 2018 in U.S. Appl. No. 15/463,232.

(21) Appl. No.: **29/597,733**

(Continued)

(22) Filed: **Mar. 20, 2017**

Primary Examiner — Wan Laymon

(51) **LOC (11) Cl.** **24-02**

(74) *Attorney, Agent, or Firm* — McDermott Will & Emery LLP

(52) **U.S. Cl.**
USPC **D24/181**

(58) **Field of Classification Search**
USPC D24/107, 156, 176–182; 433/38–40, 70, 433/139, 173
CPC .. A61C 5/125; A61C 5/85; A61C 5/82; A61C 5/00; A61C 5/30

(57) **CLAIM**

The ornamental design for a dental matrix ring, as shown and described.

See application file for complete search history.

DESCRIPTION

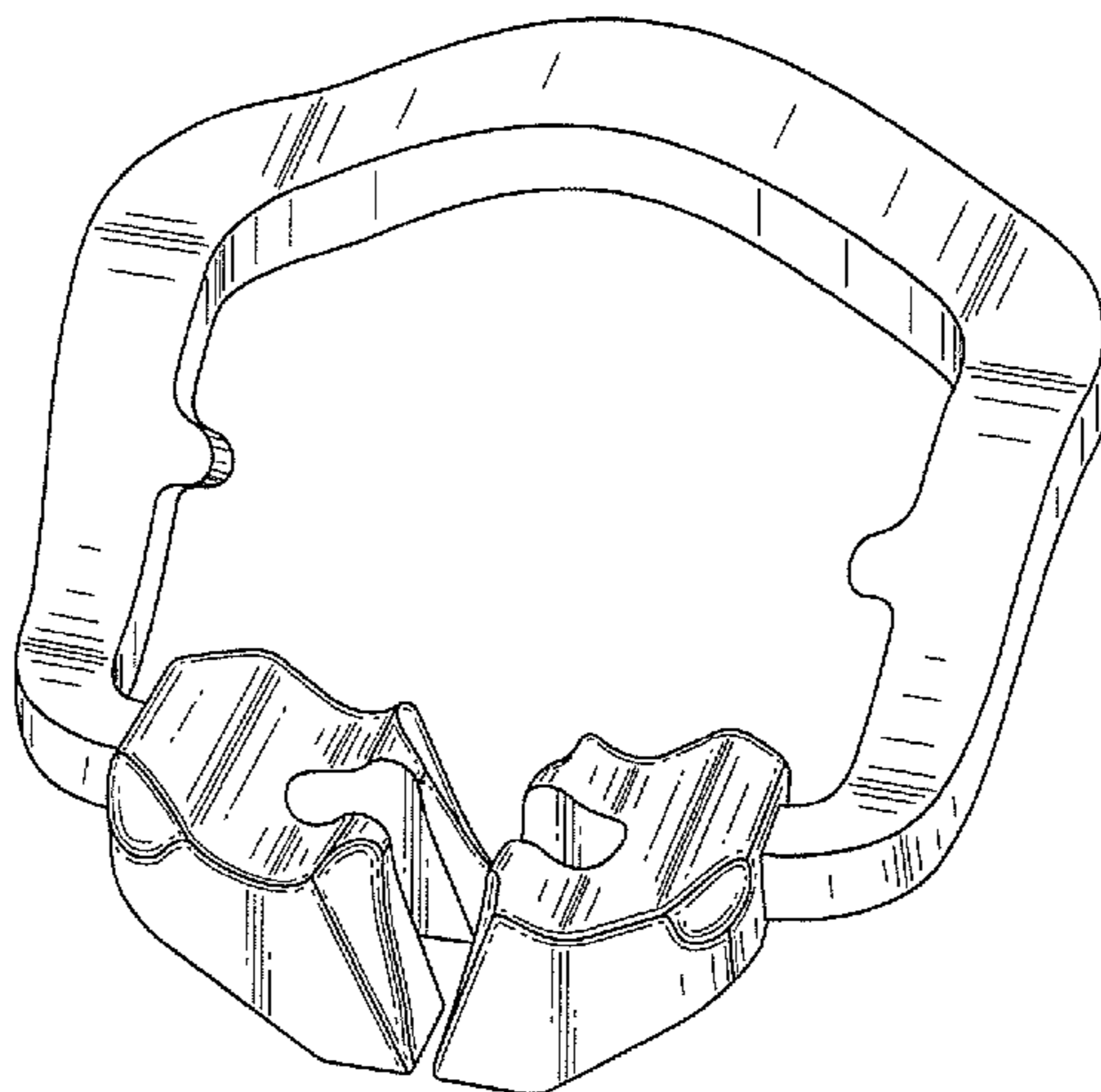
(56) **References Cited**

U.S. PATENT DOCUMENTS

396,537 A 1/1889 Browne
427,338 A 5/1890 Marshall
532,723 A 1/1895 Dennis
625,888 A 5/1899 Leonard
719,834 A 2/1903 Mills
1,358,300 A 11/1920 Dailey
1,661,068 A 2/1928 Gaillard
5,607,302 A 3/1997 Garrison et al.
6,206,697 B1 3/2001 Hugo
6,325,625 B1 12/2001 Meyer
6,336,810 B1 1/2002 Bertolotti

FIG. 1 is a top perspective view of a dental matrix ring of the present disclosure;
FIG. 2 is a top view of the design depicted in FIG. 1;
FIG. 3 is a front view of the design depicted in FIG. 1;
FIG. 4 is a bottom view of the design depicted in FIG. 1;
FIG. 5 is a rear view of the design depicted in FIG. 1;
FIG. 6 is a right side view of the design depicted in FIG. 1; and,
FIG. 7 is a left side view of the design depicted in FIG. 1.
The shading presented in the accompanying drawings is provided merely to highlight the contour of the invention and is not intended to be illustrative of texture or gloss.

1 Claim, 4 Drawing Sheets



(56)

References Cited

U.S. PATENT DOCUMENTS

8,070,490	B1	12/2011	Roetzer et al.	
8,162,662	B2	4/2012	Gaete	
8,529,258	B2	9/2013	Doenges et al.	
8,647,120	B2	2/2014	Marteney et al.	
8,899,979	B2	10/2014	Anderson et al.	
9,138,300	B2	9/2015	Marteney et al.	
D747,809	S	1/2016	Anderson et al.	
9,358,080	B2	6/2016	Clark	
D773,053	S *	11/2016	Garrison	D24/181
D808,020	S *	1/2018	Andersen	D24/181
2002/0155410	A1 *	10/2002	Bills	A61C 5/85 433/153
2005/0118554	A1	6/2005	Kilcher et al.	
2007/0172793	A1	7/2007	Doenges et al.	
2011/0311945	A1	12/2011	Bertolotti et al.	
2012/0164594	A1	6/2012	Pieroni et al.	
2013/0252198	A1	9/2013	Boos et al.	
2013/0344455	A1	12/2013	Hull et al.	
2014/0004477	A1	1/2014	Pieroni et al.	
2015/0216625	A1	8/2015	McDonald	
2016/0015480	A1	1/2016	Korwin	

OTHER PUBLICATIONS

Response to Restriction Requirement filed Apr. 30, 2018 in U.S.
Appl. No. 15/463,232.

* cited by examiner

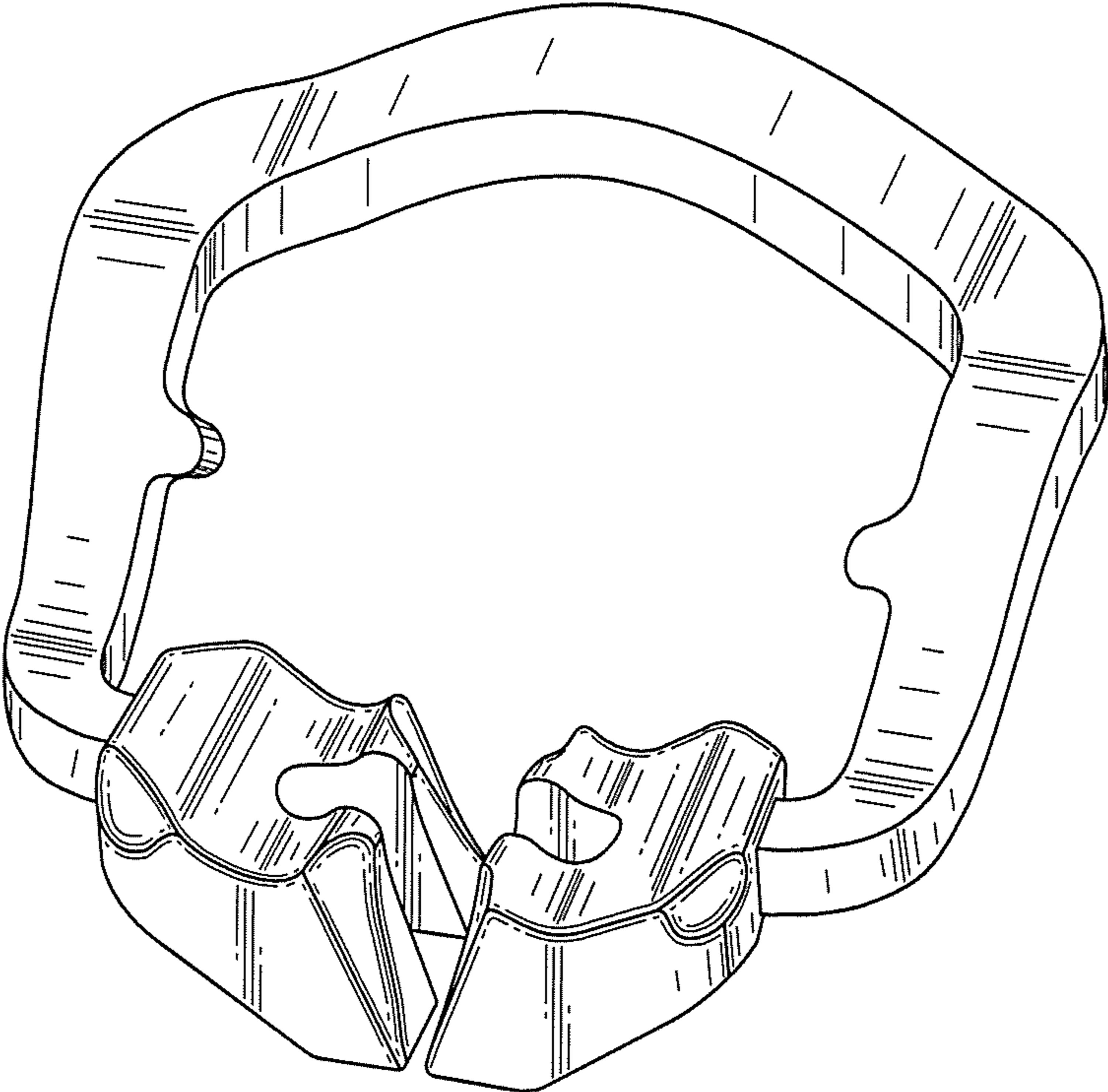


FIG. 1

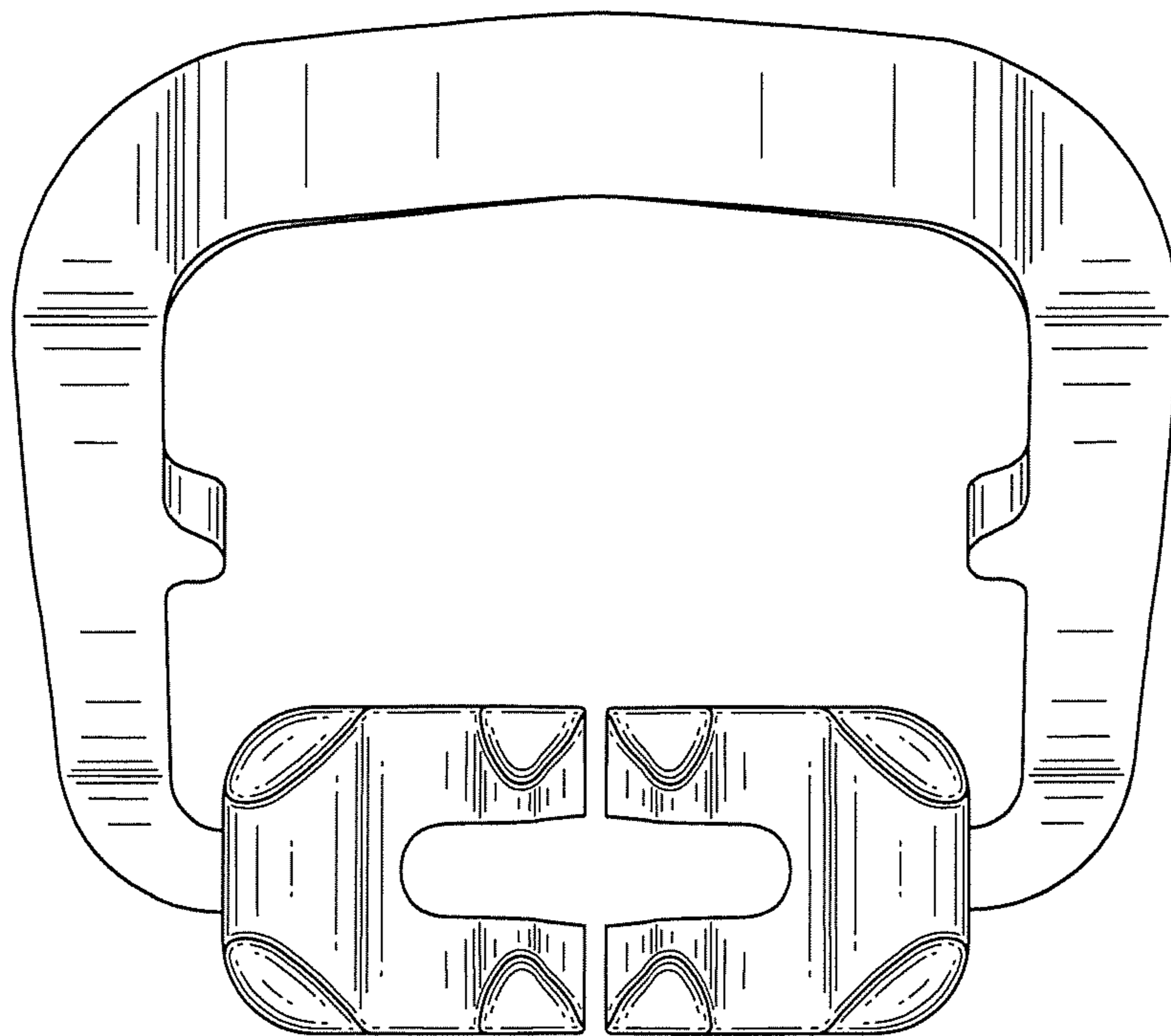


FIG. 2

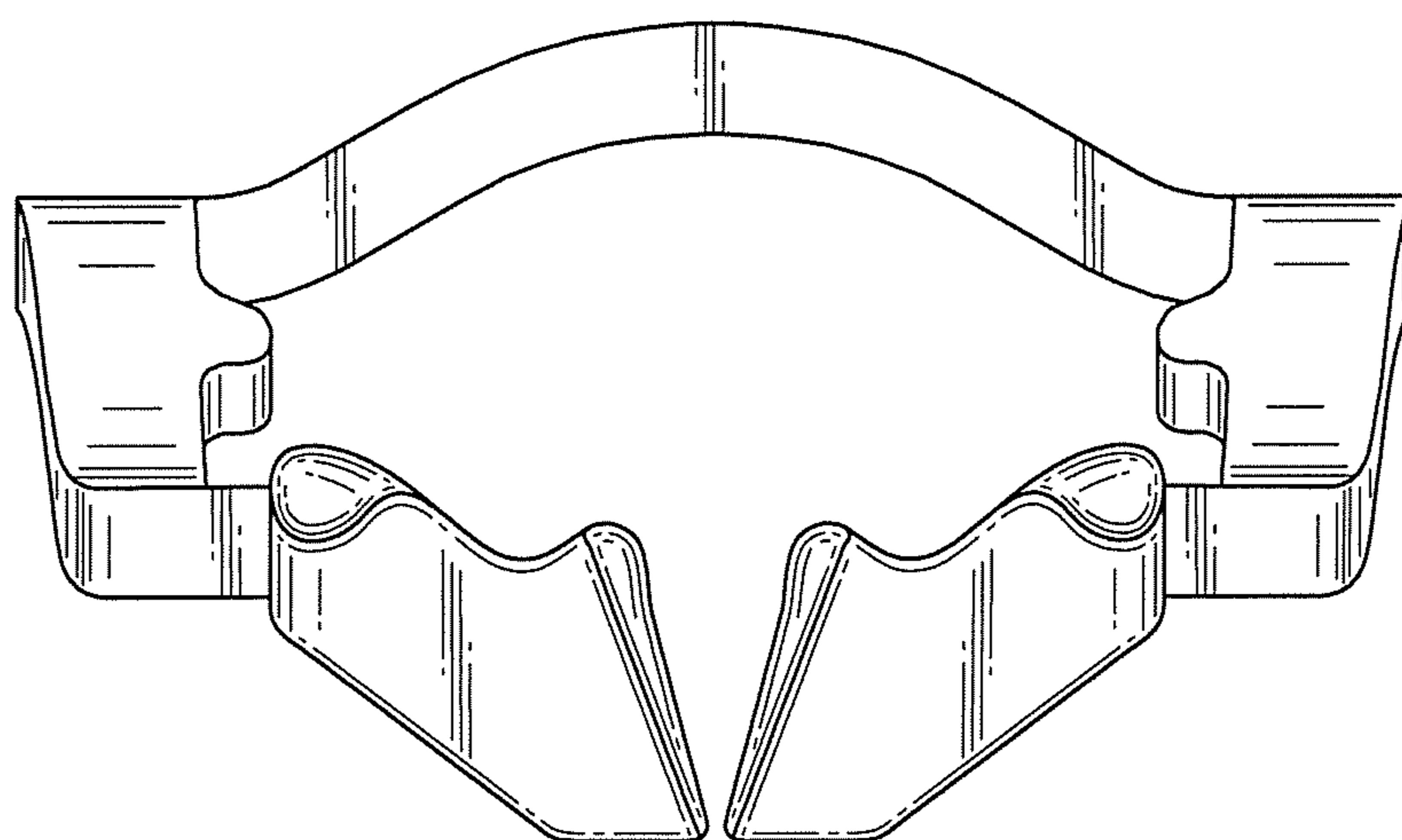


FIG. 3

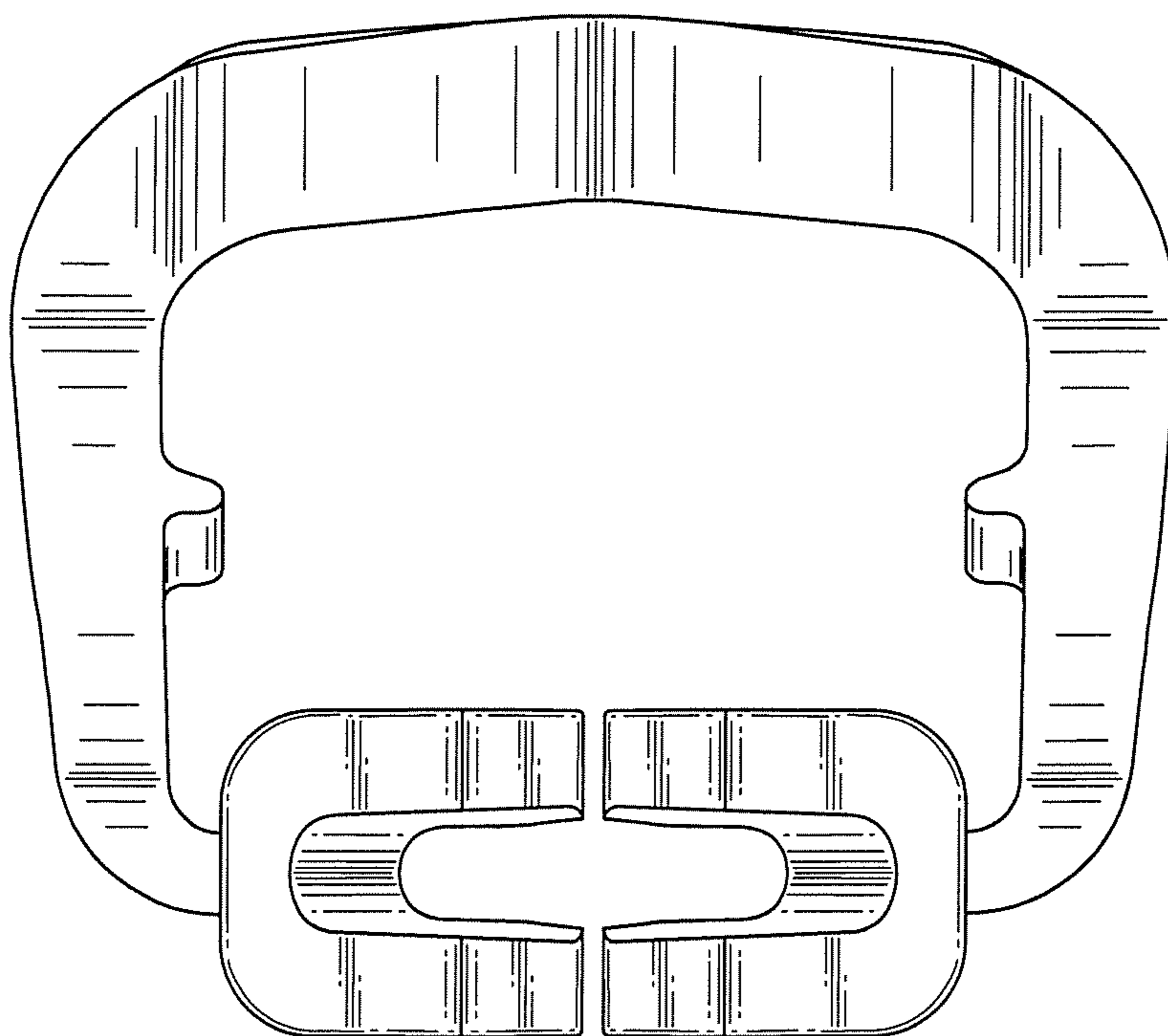


FIG. 4

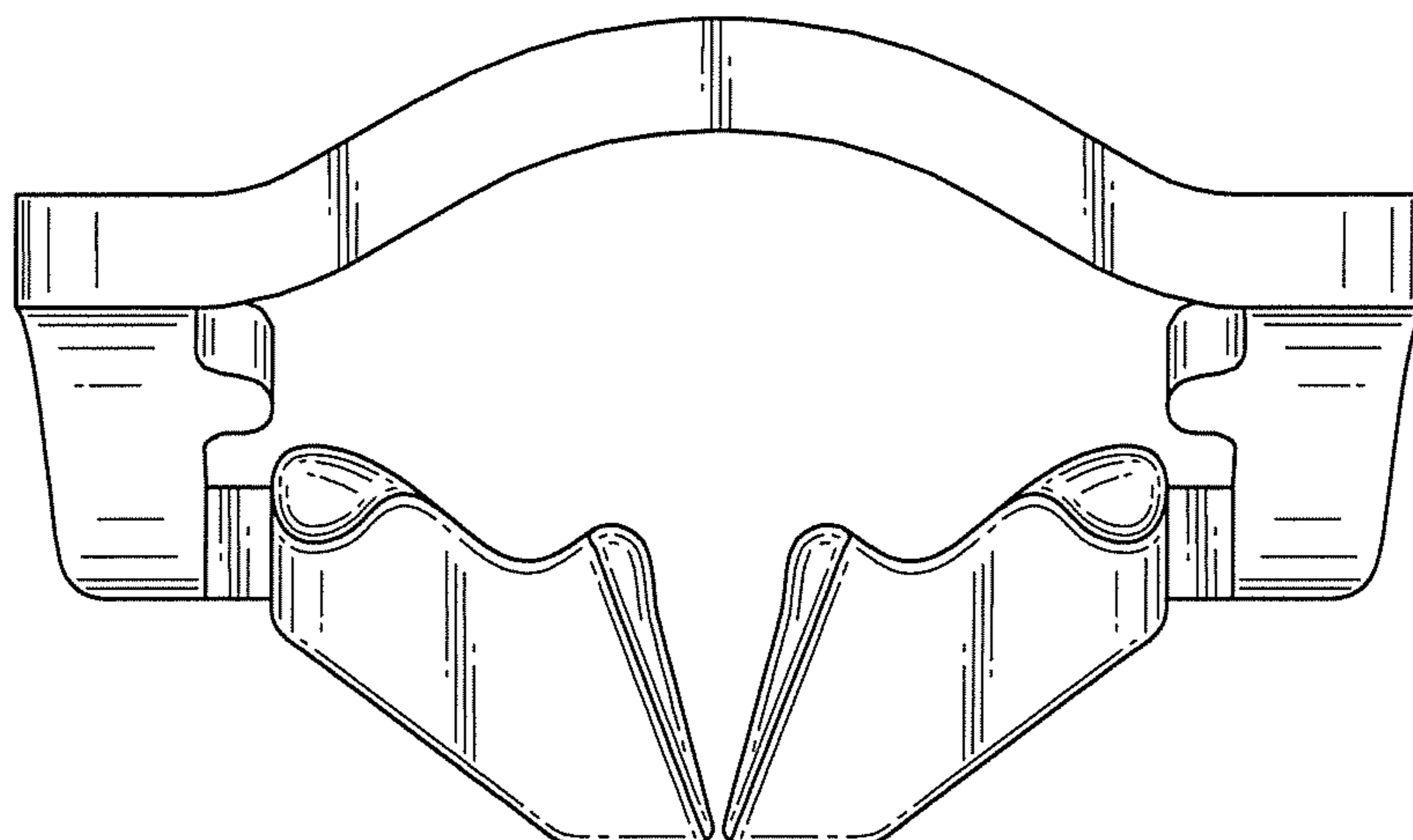


FIG. 5

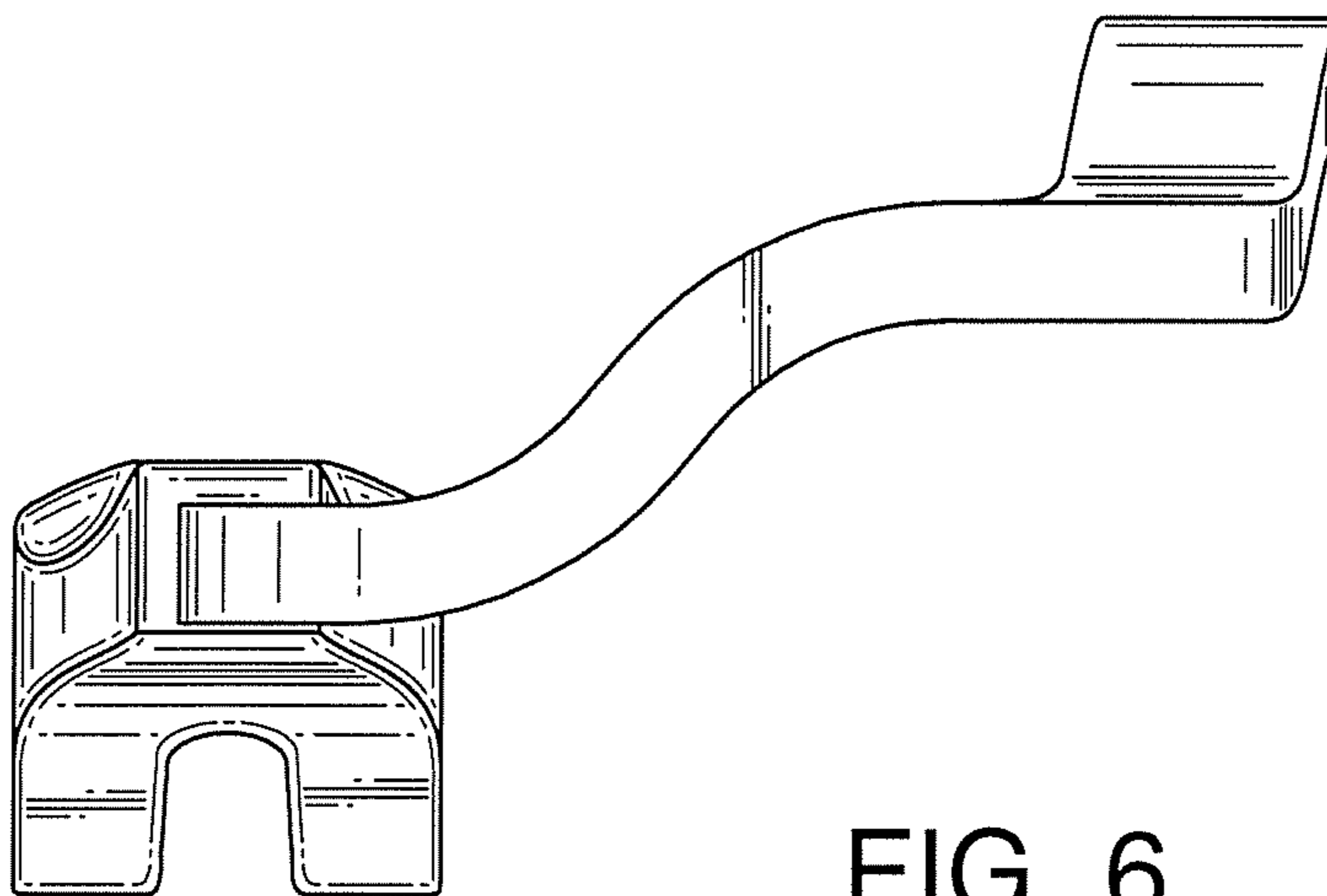


FIG. 6

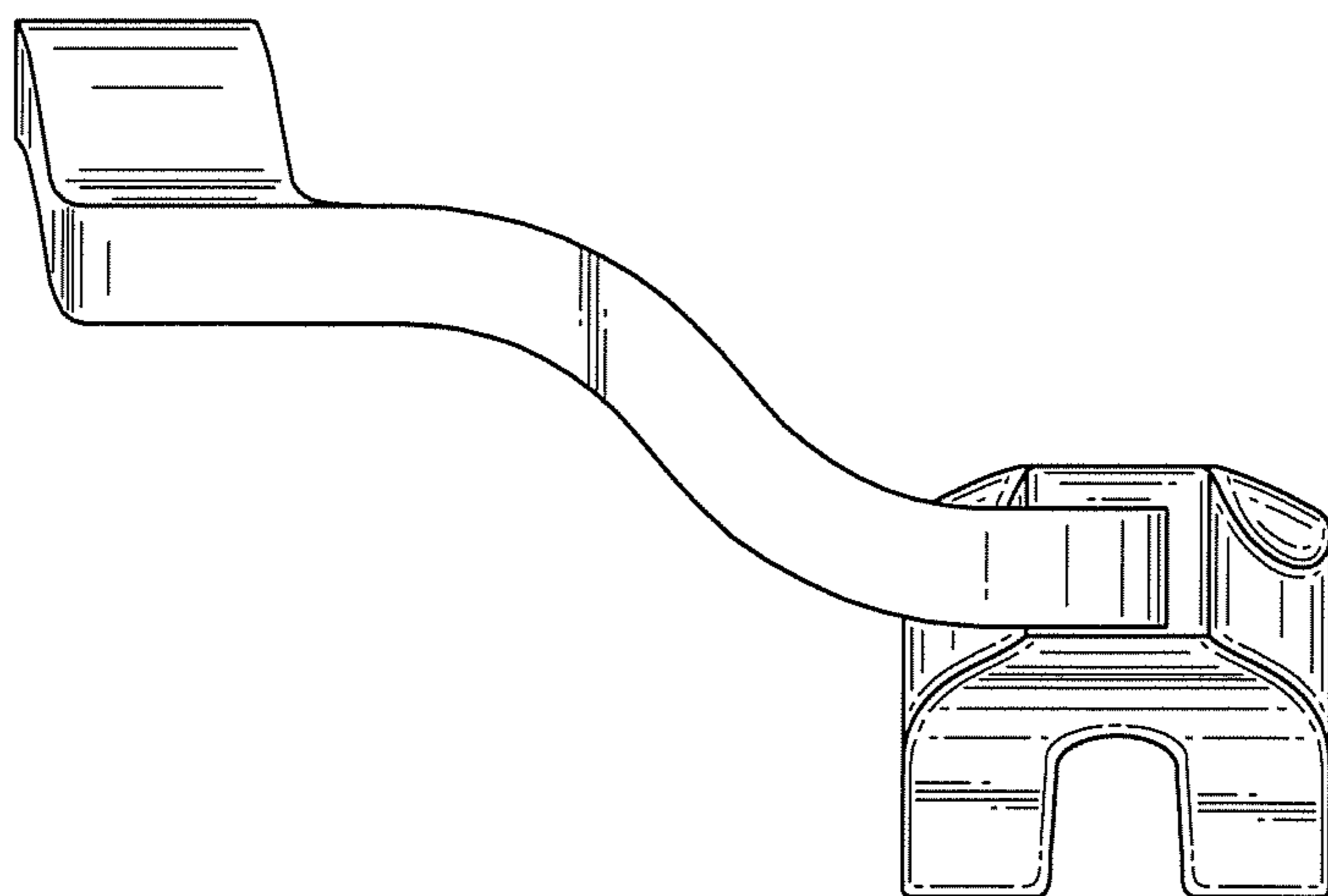


FIG. 7