



US00D823472S

(12) **United States Design Patent** (10) **Patent No.:** **US D823,472 S**  
**Newman et al.** (45) **Date of Patent:** **\*\* Jul. 17, 2018**

(54) **MRI COMPATIBLE THERAPEUTIC GAS INJECTOR MODULE** 6,116,242 A 9/2000 Frye  
D442,277 S \* 5/2001 Pryor ..... D24/110.6  
6,364,161 B1 4/2002 Pryor  
D469,865 S 2/2003 Bar-Or  
6,588,421 B1 7/2003 Diehl  
D485,198 S \* 1/2004 Islava ..... D10/96  
D495,049 S 8/2004 Austin  
D497,989 S 11/2004 Myrick  
D519,632 S 4/2006 Bayron  
7,066,175 B2 \* 6/2006 Hamilton ..... A61M 16/00  
128/204.23

(71) Applicant: **Mallinckrodt Hospital Products IP Limited**, Dublin (IE)  
(72) Inventors: **David Newman**, Lebanon, NJ (US);  
**Patrick Sharpe**, Waunakee, WI (US);  
**David Strait**, Madison, WI (US)

(73) Assignee: **Mallinckrodt Hospital Products IP Limited**, Dublin (IE)

(\*\*) Term: **15 Years**

(21) Appl. No.: **29/614,133**

(22) Filed: **Aug. 16, 2017**

**Related U.S. Application Data**

(63) Continuation of application No. 29/578,294, filed on Sep. 20, 2016, now Pat. No. Des. 797,935, which is a continuation of application No. 29/544,067, filed on Oct. 30, 2015, now Pat. No. Des. 776,278.

(51) **LOC (11) Cl.** ..... **24-01**

(52) **U.S. Cl.**  
USPC ..... **D24/164**

(58) **Field of Classification Search**  
USPC ..... D24/164, 110.6, 108, 127, 186;  
128/200.24, 207.14, 207.15, 202.16,  
128/204.18, 205.24  
CPC ..... A61M 16/00; A61M 16/0677; G05D  
16/0602; G05D 16/185; G05D 16/103  
See application file for complete search history.

(56) **References Cited**

**U.S. PATENT DOCUMENTS**

5,746,199 A \* 5/1998 Bayron ..... A61M 16/0463  
128/205.24  
6,044,841 A \* 4/2000 Verdun ..... A61M 11/06  
128/200.14

(Continued)

**OTHER PUBLICATIONS**

INOmax DSIR Operation Manual, 2012, Rev-05, IKARIA, Inc., Hampton, NJ, USA.

*Primary Examiner* — David Muller

(74) *Attorney, Agent, or Firm* — Wiggin and Dana LLP; Andrew D. Bochner; Joseph M. Casino

(57) **CLAIM**

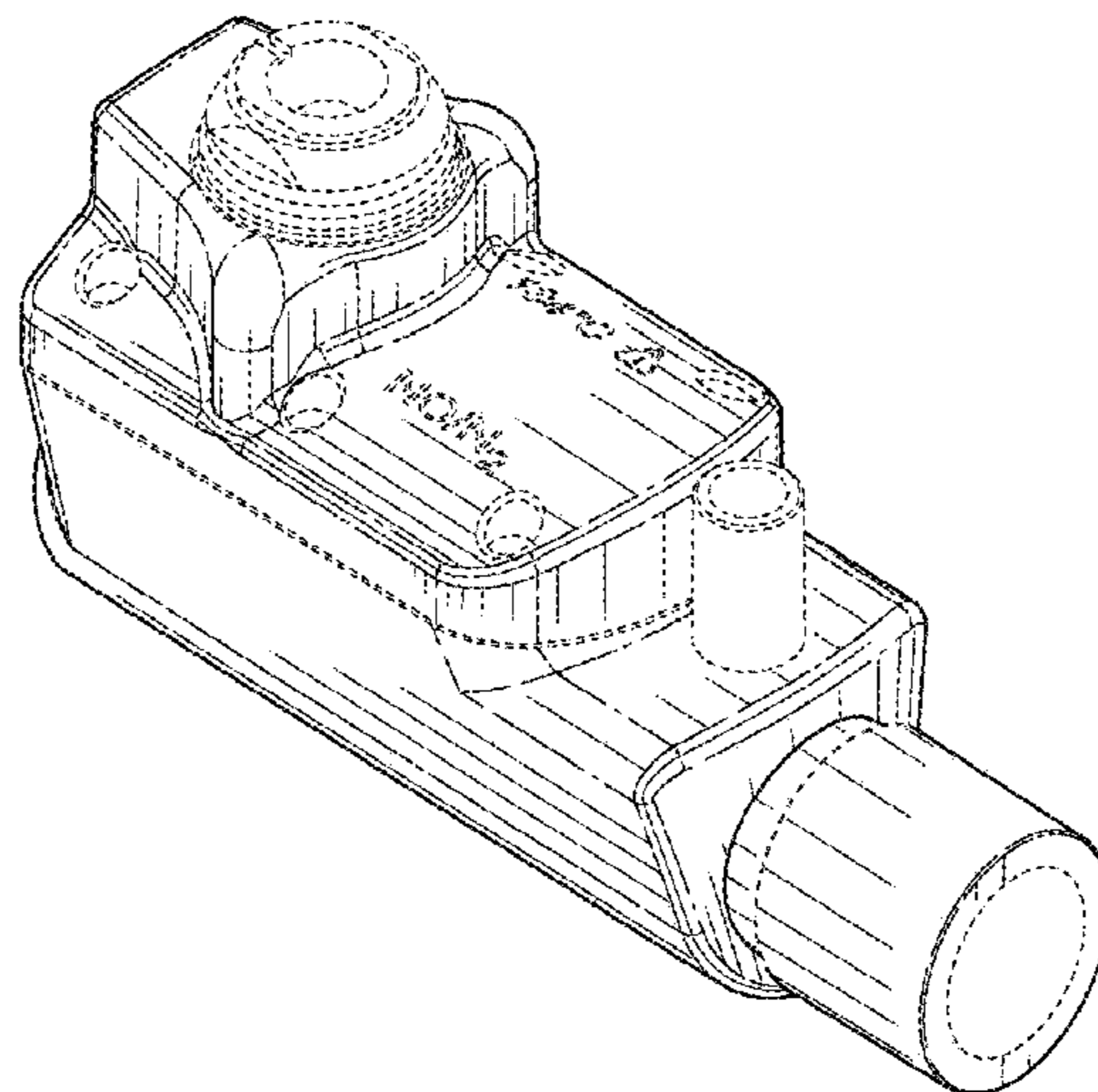
We claim the ornamental design for an MRI-compatible therapeutic gas injector module, as shown and described.

**DESCRIPTION**

FIG. 1 is a top, front, and left-side perspective view of an MRI-compatible therapeutic gas injector module showing our new design;  
FIG. 2 is a front elevational view thereof;  
FIG. 3 is a rear elevational view thereof;  
FIG. 4 is a left side elevational view thereof the right side being a mirror image;  
FIG. 5 is a top plan view thereof;  
FIG. 6 is a bottom plan view thereof; and,  
FIG. 7 is a bottom, rear, and left-side perspective view thereof.

The broken lines in the figures show portions of the injector module which form no part of the claimed design.

**1 Claim, 4 Drawing Sheets**



(56)

**References Cited**

U.S. PATENT DOCUMENTS

|              |      |         |                  |                            |
|--------------|------|---------|------------------|----------------------------|
| 7,320,324    | B2   | 1/2008  | Willeford        |                            |
| 7,594,509    | B2 * | 9/2009  | Burk .....       | A61M 16/1045<br>128/201.13 |
| 7,770,460    | B1 * | 8/2010  | Chen .....       | G01L 19/16<br>73/756       |
| 7,971,588    | B2   | 7/2011  | Fink             |                            |
| D655,405     | S *  | 3/2012  | Winter .....     | D24/110.6                  |
| D659,835     | S    | 5/2012  | Benson           |                            |
| D678,521     | S *  | 3/2013  | Mort .....       | D24/110.6                  |
| 8,720,435    | B2   | 5/2014  | Gallem           |                            |
| D734,854     | S    | 7/2015  | Conner           |                            |
| D742,507     | S    | 11/2015 | Miller           |                            |
| D775,733     | S *  | 1/2017  | Buess .....      | D24/164                    |
| 2002/0162554 | A1 * | 11/2002 | Loescher .....   | A61M 16/08<br>128/205.24   |
| 2005/0039746 | A1 * | 2/2005  | Grychowski ..... | A61M 15/0086<br>128/204.18 |
| 2005/0150496 | A1 * | 7/2005  | Smaldone .....   | A61M 16/06<br>128/206.21   |

\* cited by examiner

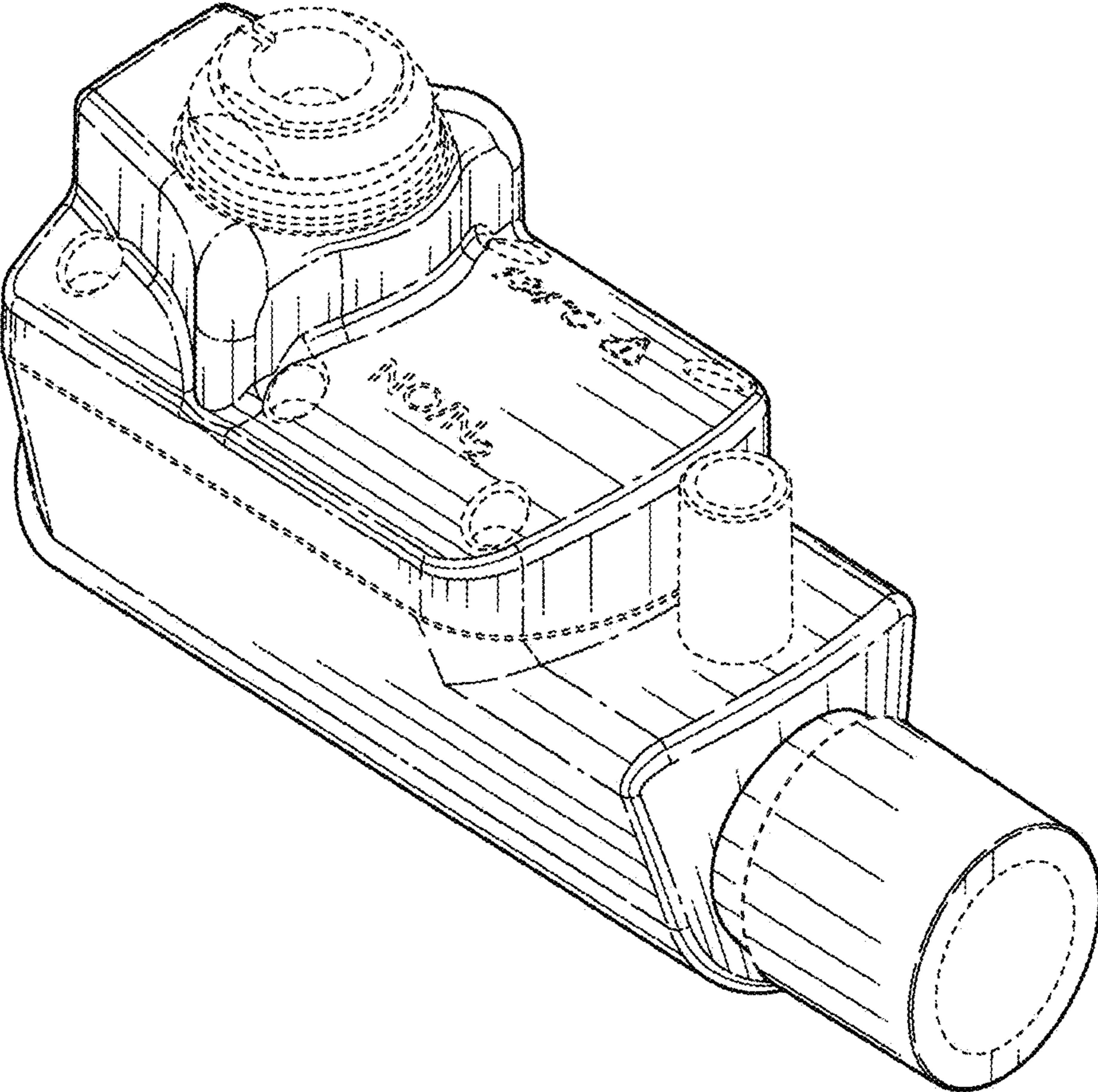


FIG. 1

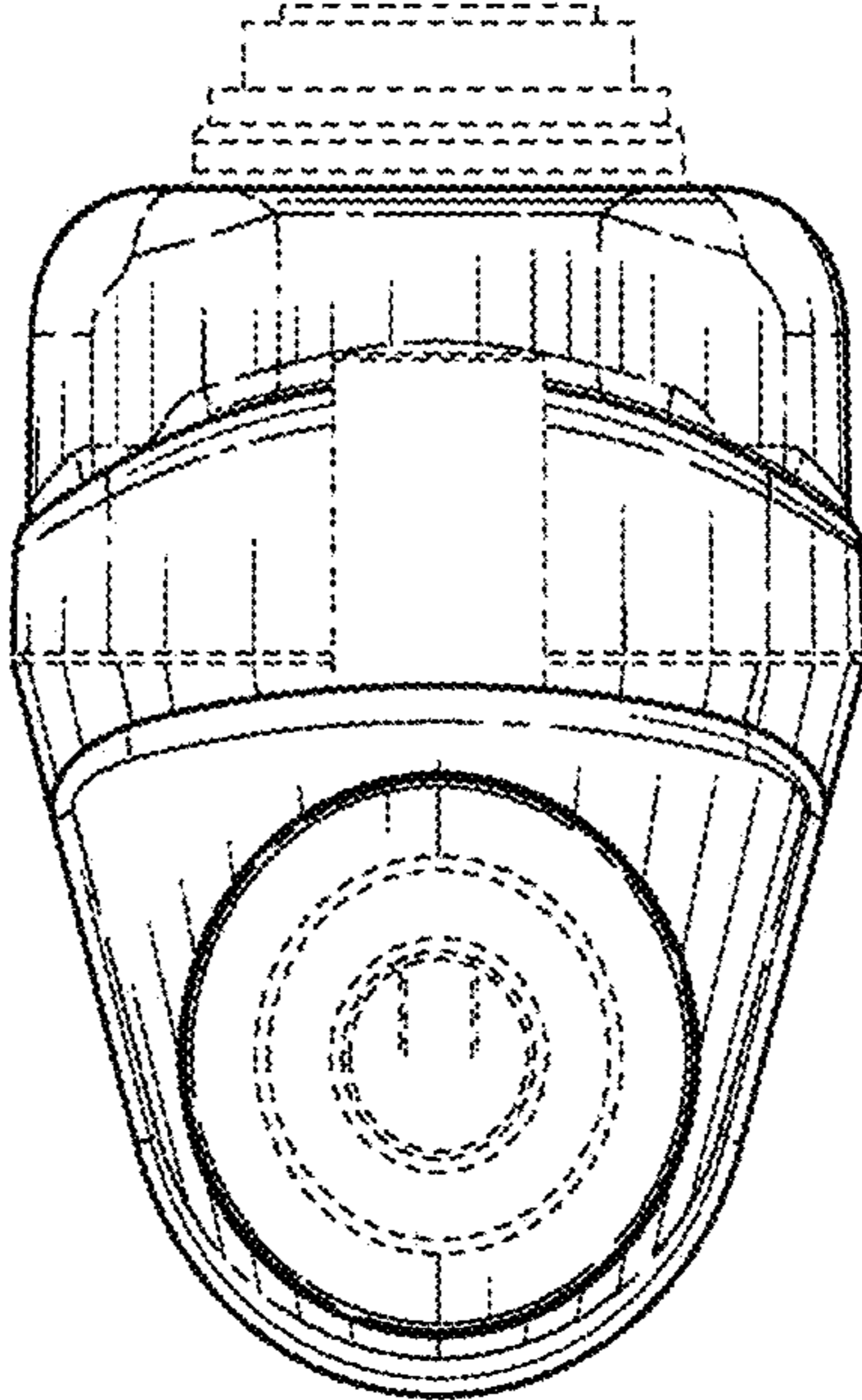


FIG. 2

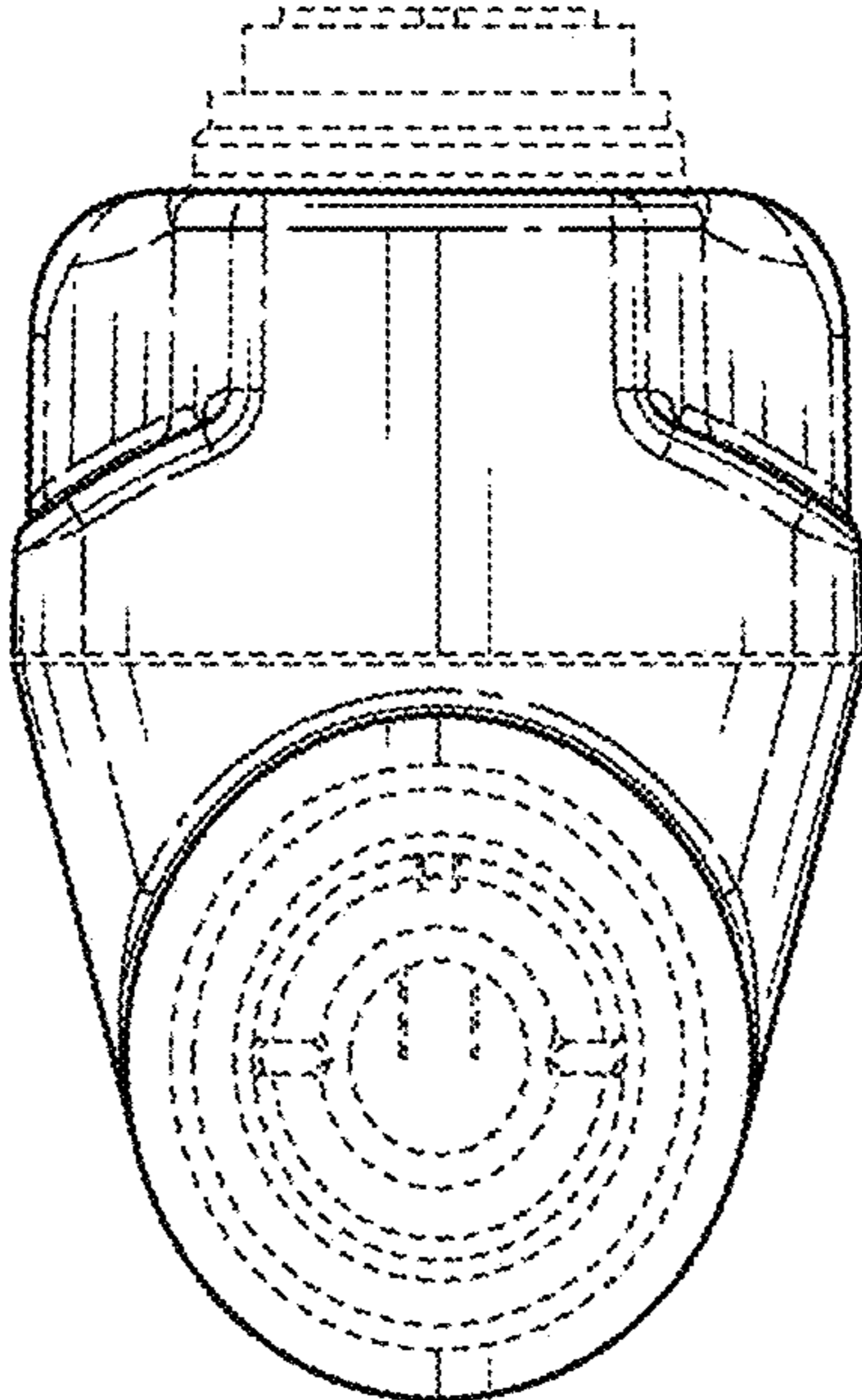


FIG. 3

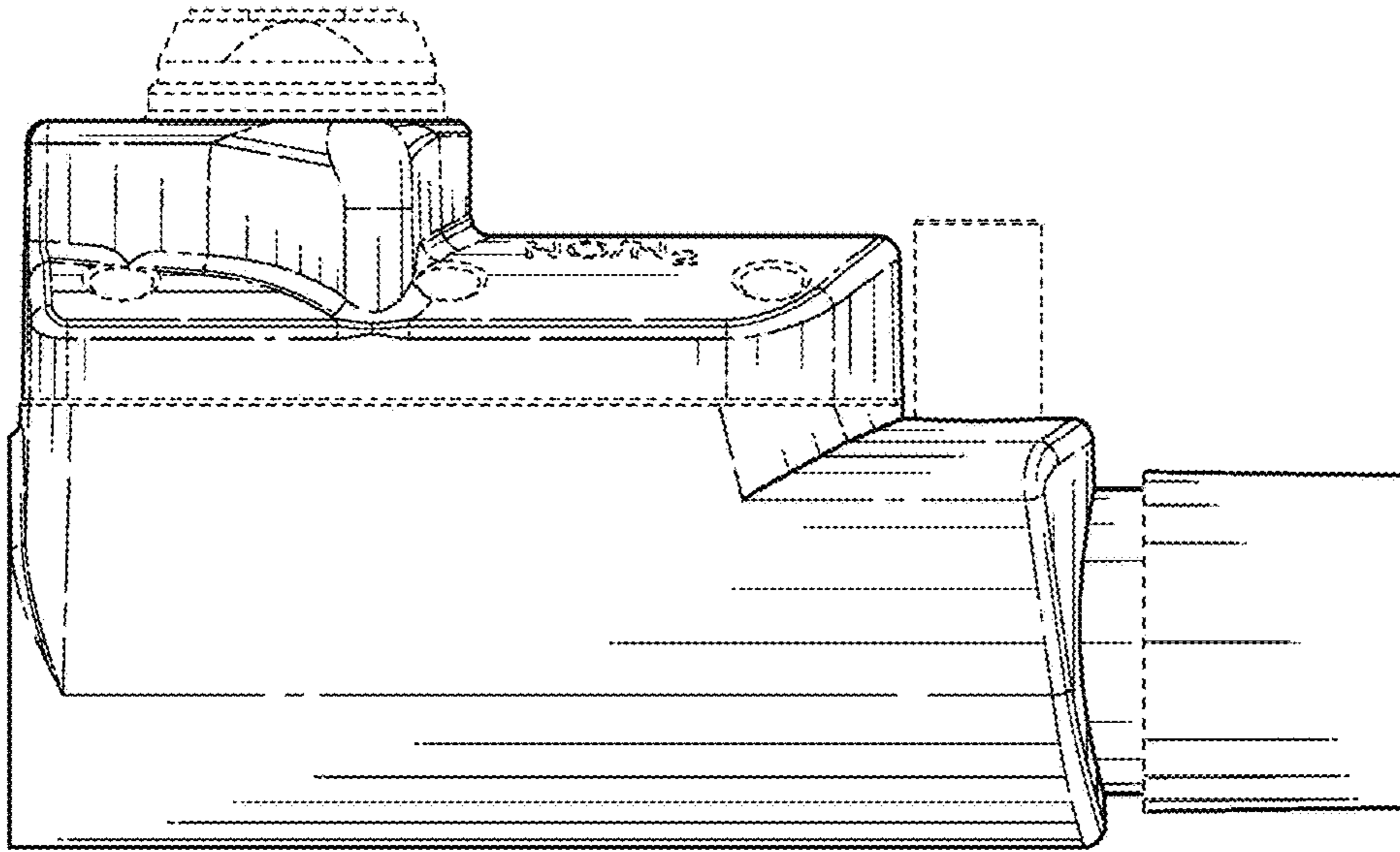


FIG. 4

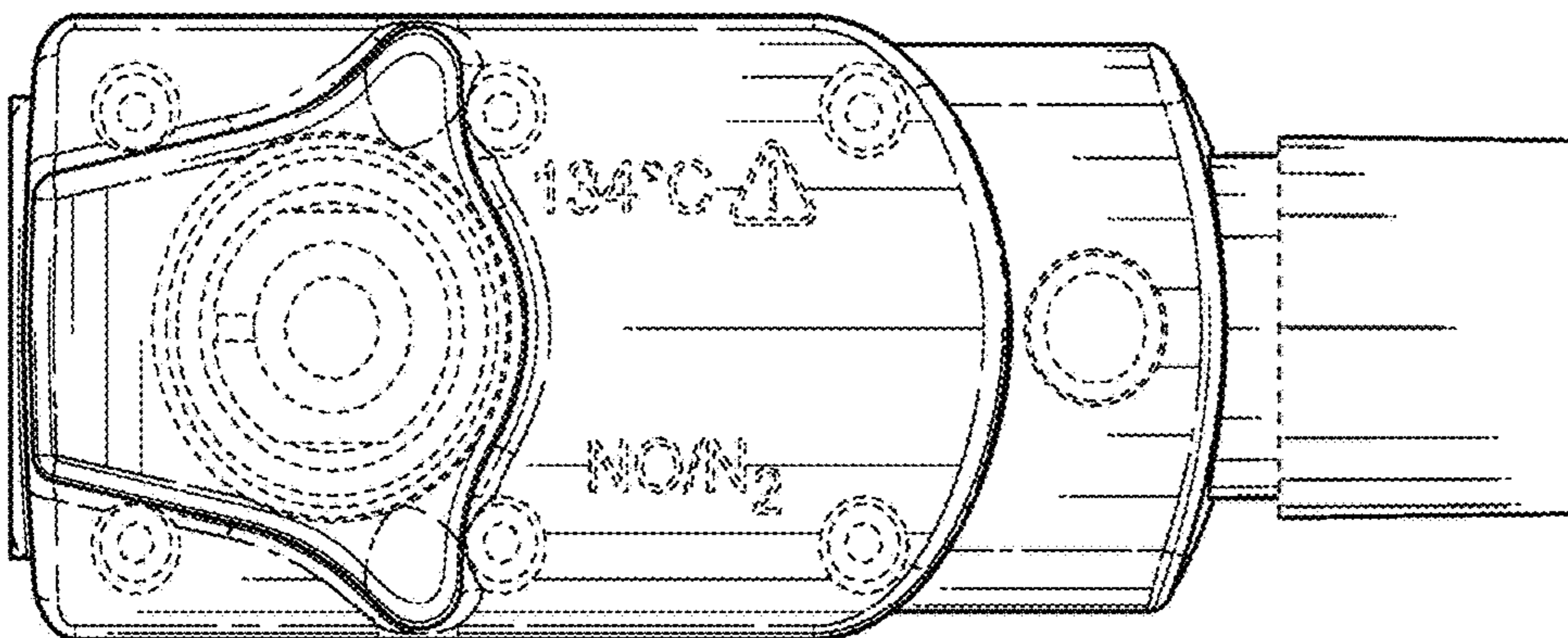


FIG. 5

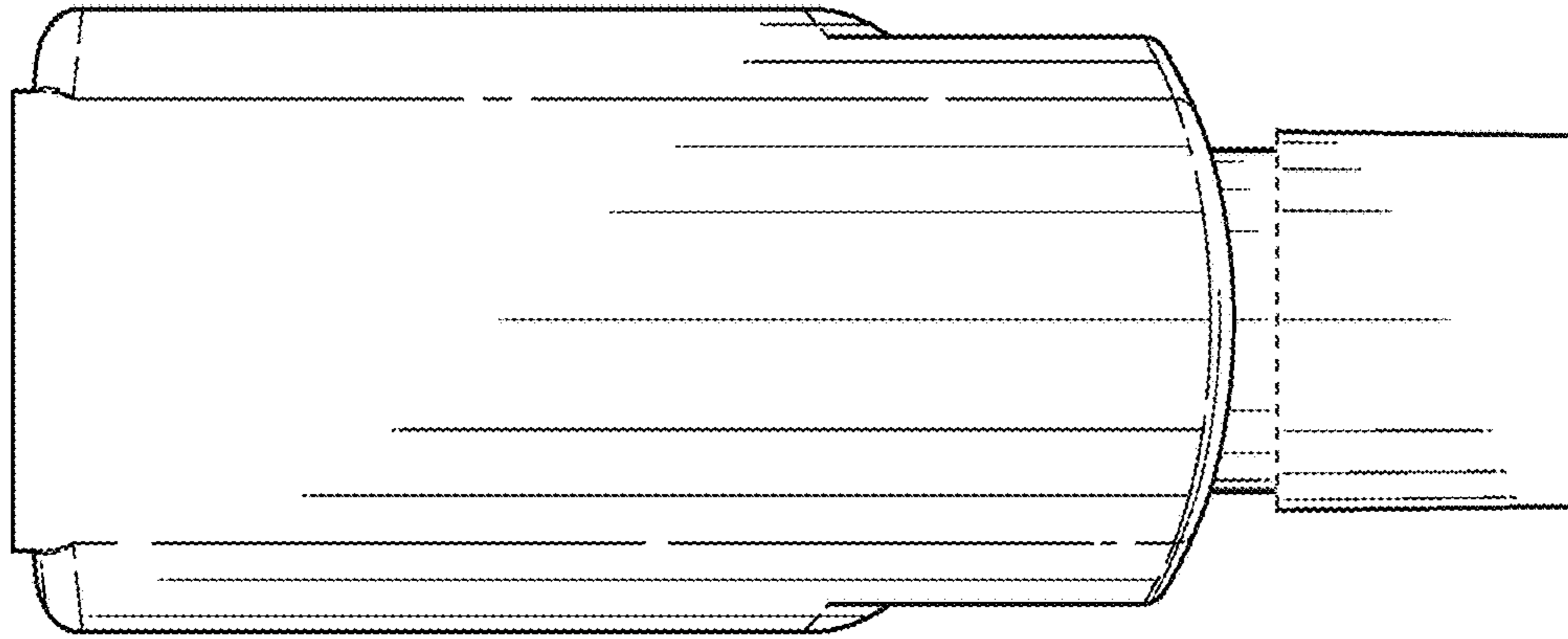


FIG. 6

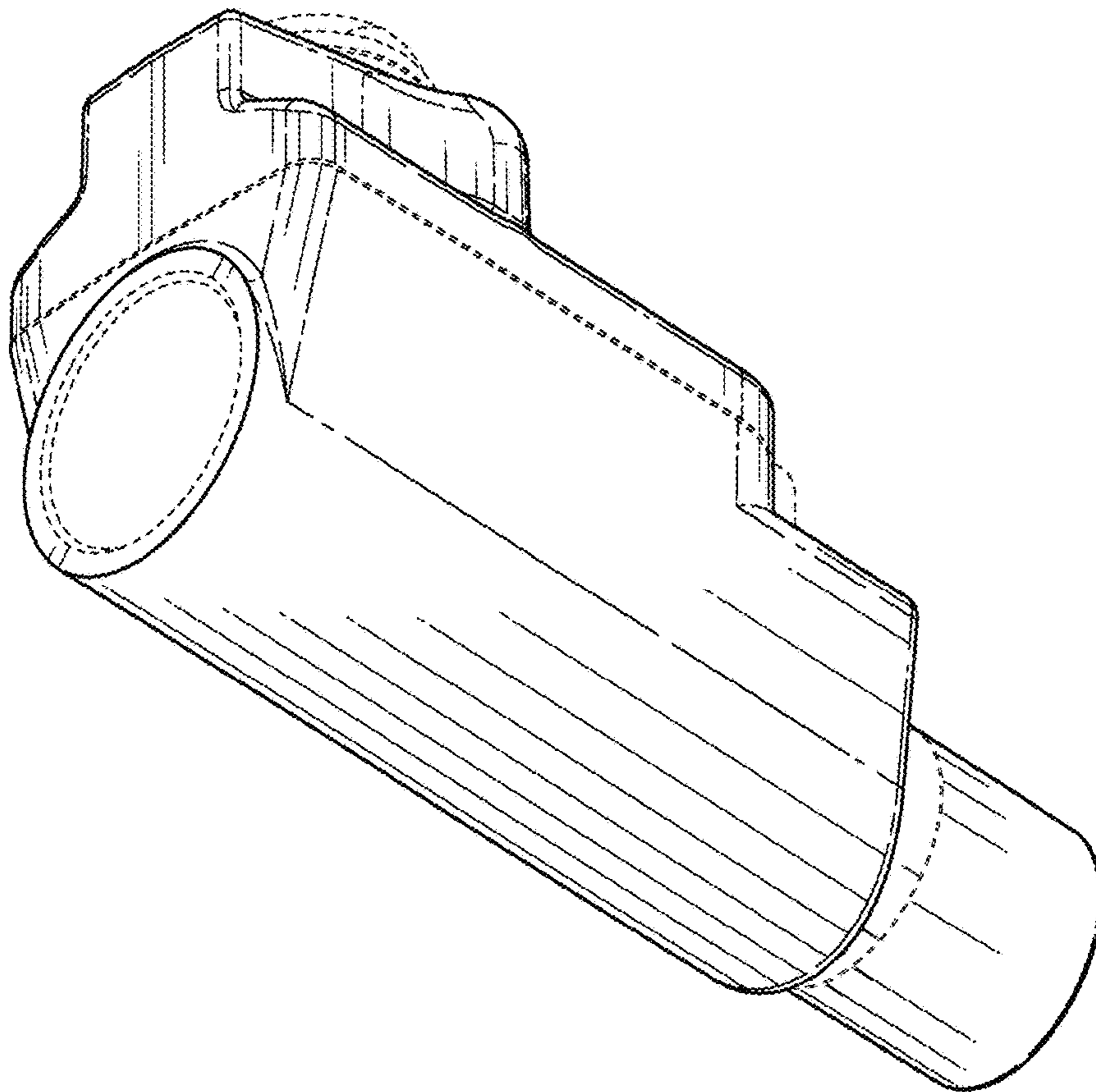


FIG. 7