



US00D823471S

(12) **United States Design Patent** (10) **Patent No.:** **US D823,471 S**  
**Personnelli et al.** (45) **Date of Patent:** **\*\* Jul. 17, 2018**

- (54) **MRI HEAD COIL APPARATUS**
- (71) Applicant: **GENERAL ELECTRIC COMPANY**,  
Schenectady, NY (US)
- (72) Inventors: **Regis Gerard Personnelli**, Bois d'Arcy  
(FR); **Yun-Jeong Stickle**, Aurora, OH  
(US); **Balint Franko**, Aurora, OH (US);  
**Sarah Tenley**, Cleveland Heights, OH  
(US); **Clyve Konrad Rosales Follante**,  
Aurora, OH (US)
- (73) Assignee: **GENERAL ELECTRIC COMPANY**,  
Schenectady, NY (US)
- (\*\*) Term: **15 Years**
- (21) Appl. No.: **29/585,537**
- (22) Filed: **Nov. 25, 2016**
- (51) **LOC (11) Cl.** ..... **24-01**
- (52) **U.S. Cl.**  
USPC ..... **D24/158**
- (58) **Field of Classification Search**  
USPC ..... D24/107, 158-161, 185, 186, 187, 231  
CPC ..... A61B 5/0042; A61B 5/055; A61B 6/03;  
A61B 6/035; G01R 33/283; G01R  
33/4806; G01R 33/4812; G03B 21/145;  
G03B 21/30; G03B 21/54; G03B 21/585  
See application file for complete search history.

- D702,838 S \* 4/2014 Limmer ..... D24/158
- D742,012 S \* 10/2015 Sul ..... D24/158
- D742,519 S \* 11/2015 Sul ..... D24/158
- D742,523 S \* 11/2015 Sul ..... D24/158
- D748,797 S \* 2/2016 Patil ..... D24/158
- D787,064 S \* 5/2017 Sul ..... D24/158
- 2013/0131498 A1\* 5/2013 Taracila ..... G01R 33/34084  
600/422
- 2013/0317346 A1\* 11/2013 Alagappan ..... G01R 33/34046  
600/415
- 2017/0082705 A1\* 3/2017 Hou ..... G01R 33/34007
- 2017/0168124 A1\* 6/2017 Ueda ..... A61B 5/0035

\* cited by examiner

*Primary Examiner* — Anhdao Doan

(74) *Attorney, Agent, or Firm* — Grogan, Tuccillo and  
Vanderleeden LLP

(57) **CLAIM**

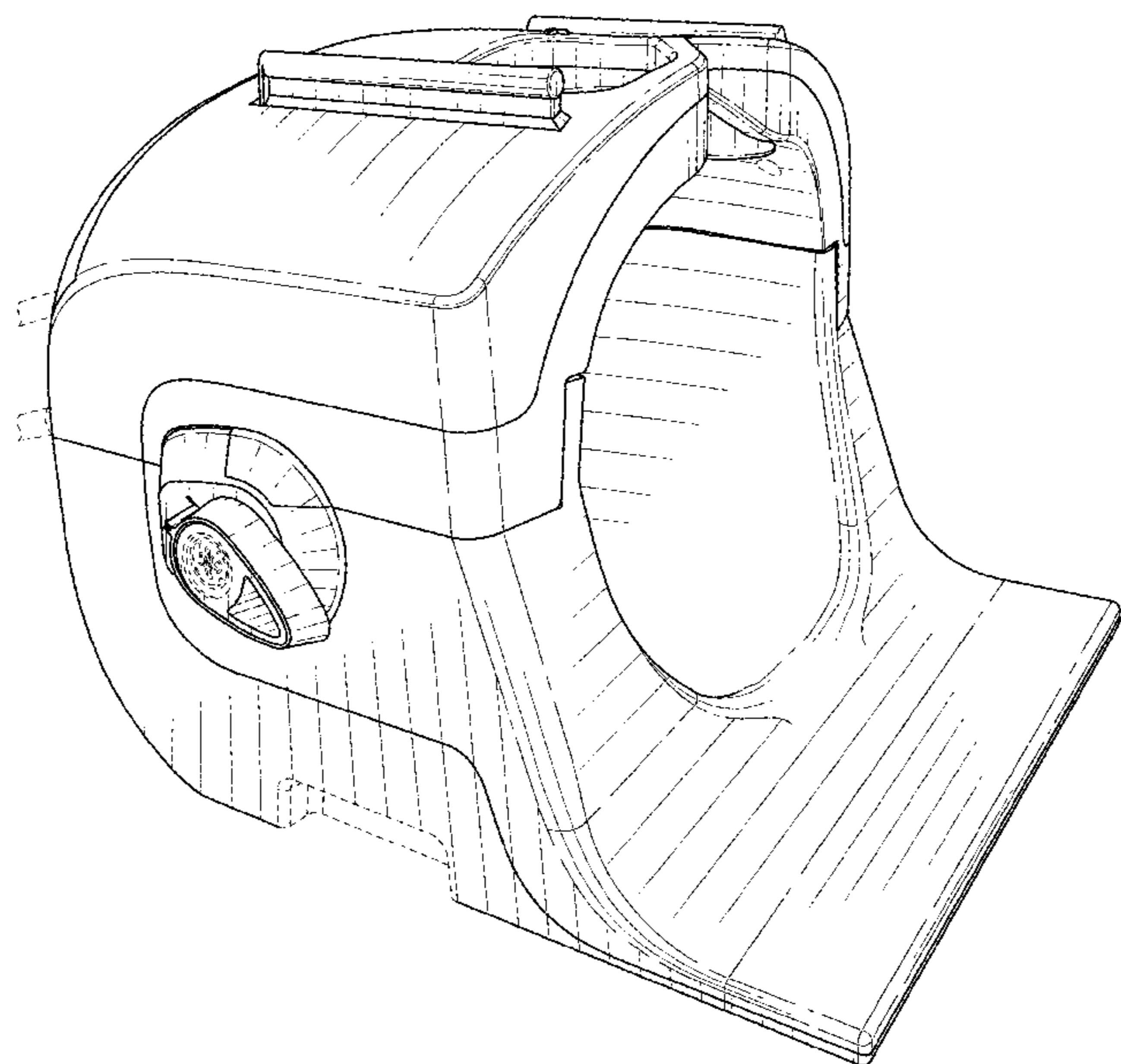
The ornamental design for an MRI head coil apparatus, as  
shown and described.

**DESCRIPTION**

FIG. 1 is a perspective view of an MRI head coil apparatus depicting a new design;  
 FIG. 2 is a front view thereof;  
 FIG. 3 is a rear view thereof;  
 FIG. 4 is a side view thereof;  
 FIG. 5 is an opposite side view thereof;  
 FIG. 6 is a top plan view thereof;  
 FIG. 7 is a bottom plan view thereof; and,  
 FIG. 8 is a top perspective view thereof.  
 The broken lines immediately adjacent the shaded areas represent the bounds of the claim, while all other broken lines are directed to environment and are for illustrative purposes only; the broken lines form no part of the claimed design.

**1 Claim, 5 Drawing Sheets**

- (56) **References Cited**  
U.S. PATENT DOCUMENTS  
5,221,902 A \* 6/1993 Jones ..... G01R 33/34061  
324/318  
6,313,633 B1 \* 11/2001 Boskamp ..... G01R 33/34053  
324/318



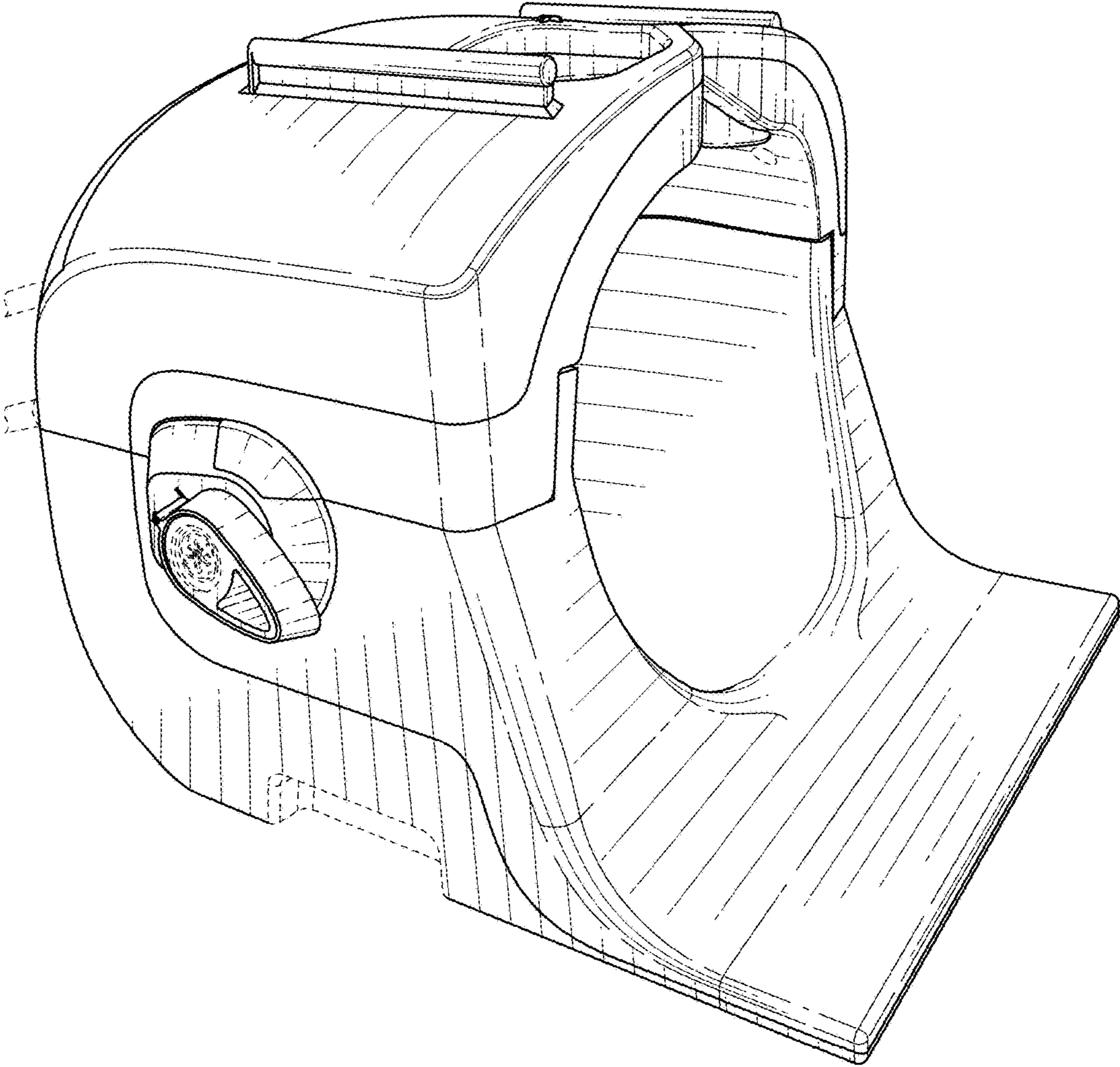


FIG. 1

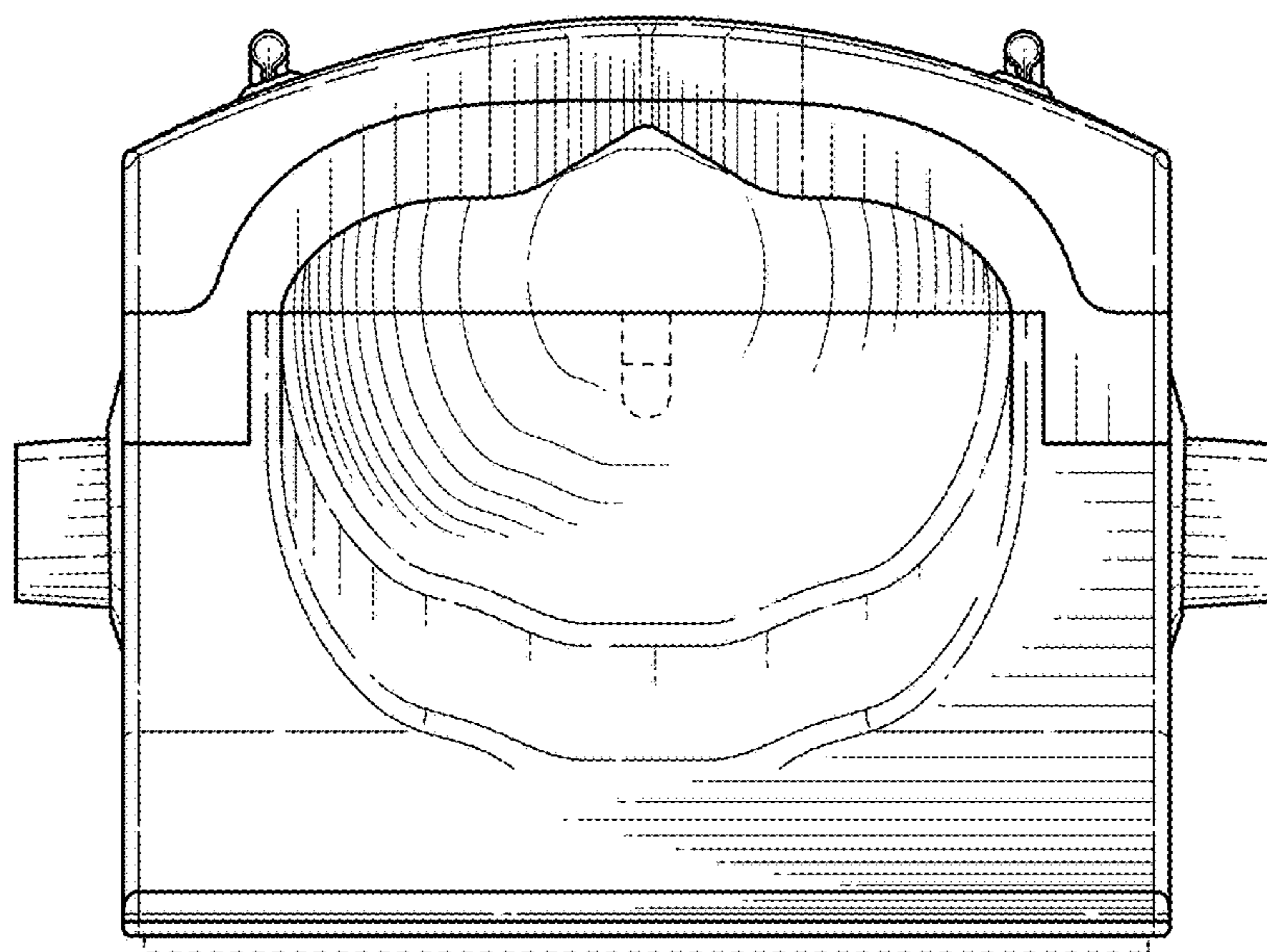


FIG. 2

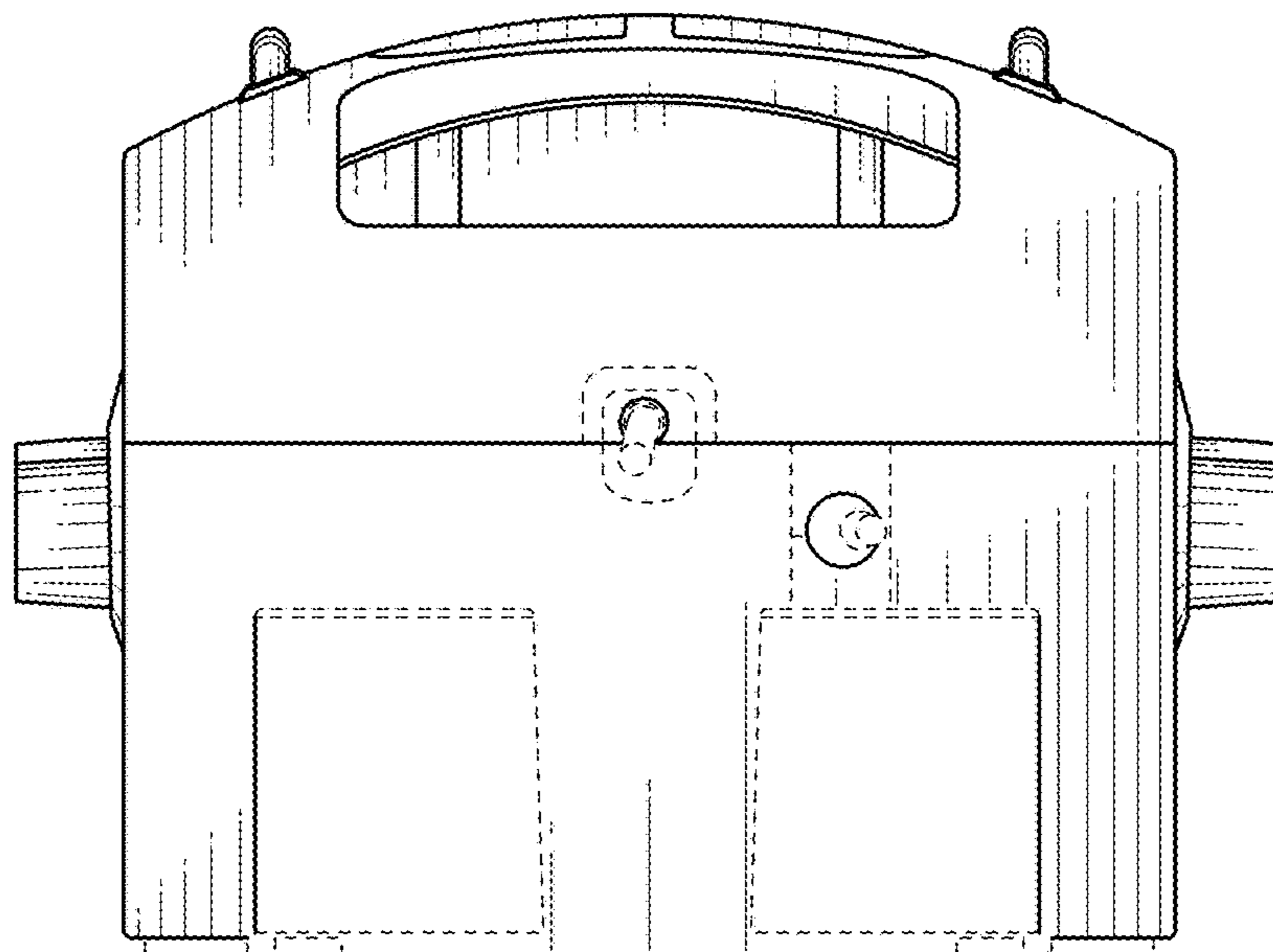


FIG. 3

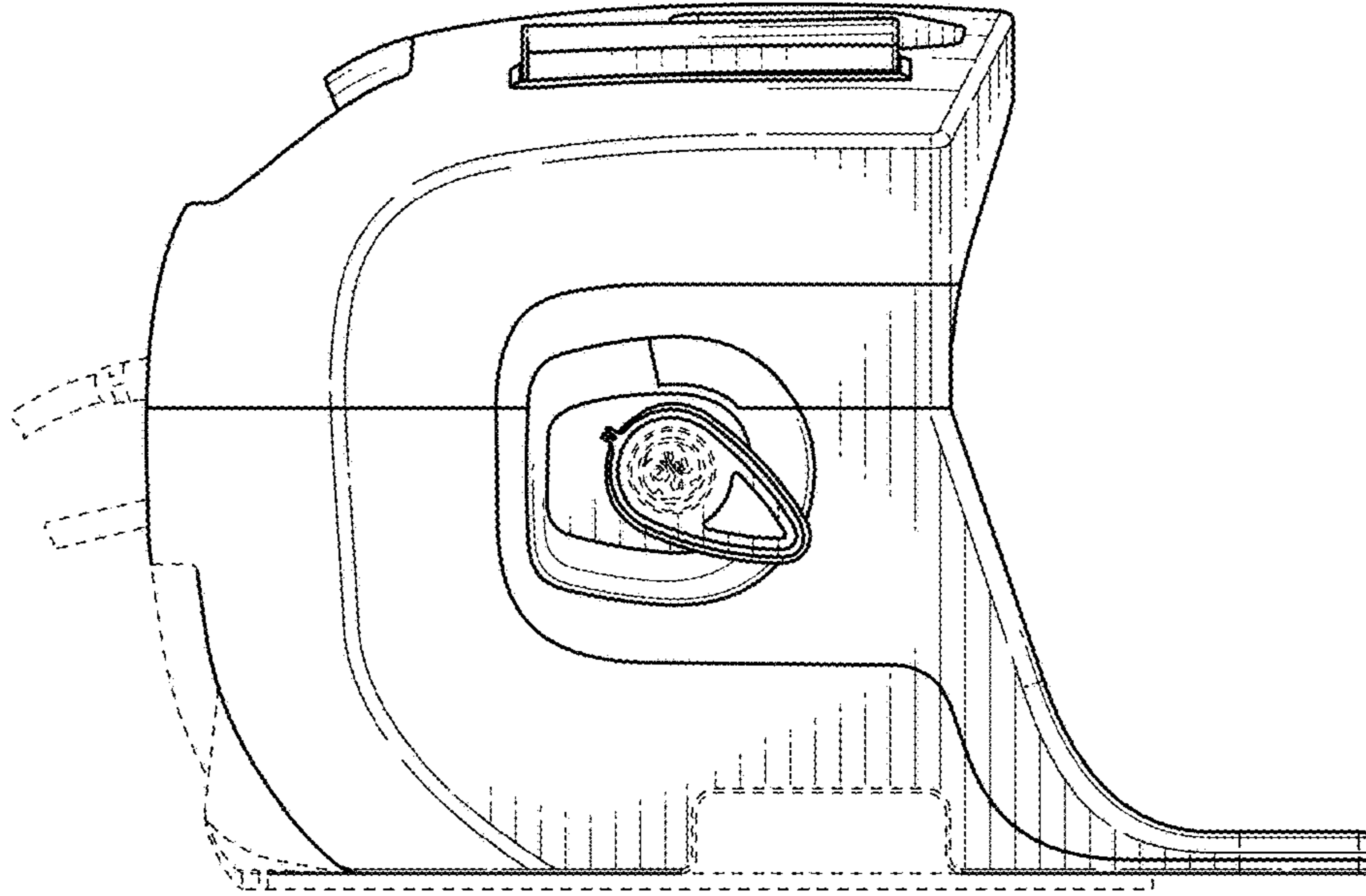


FIG. 4

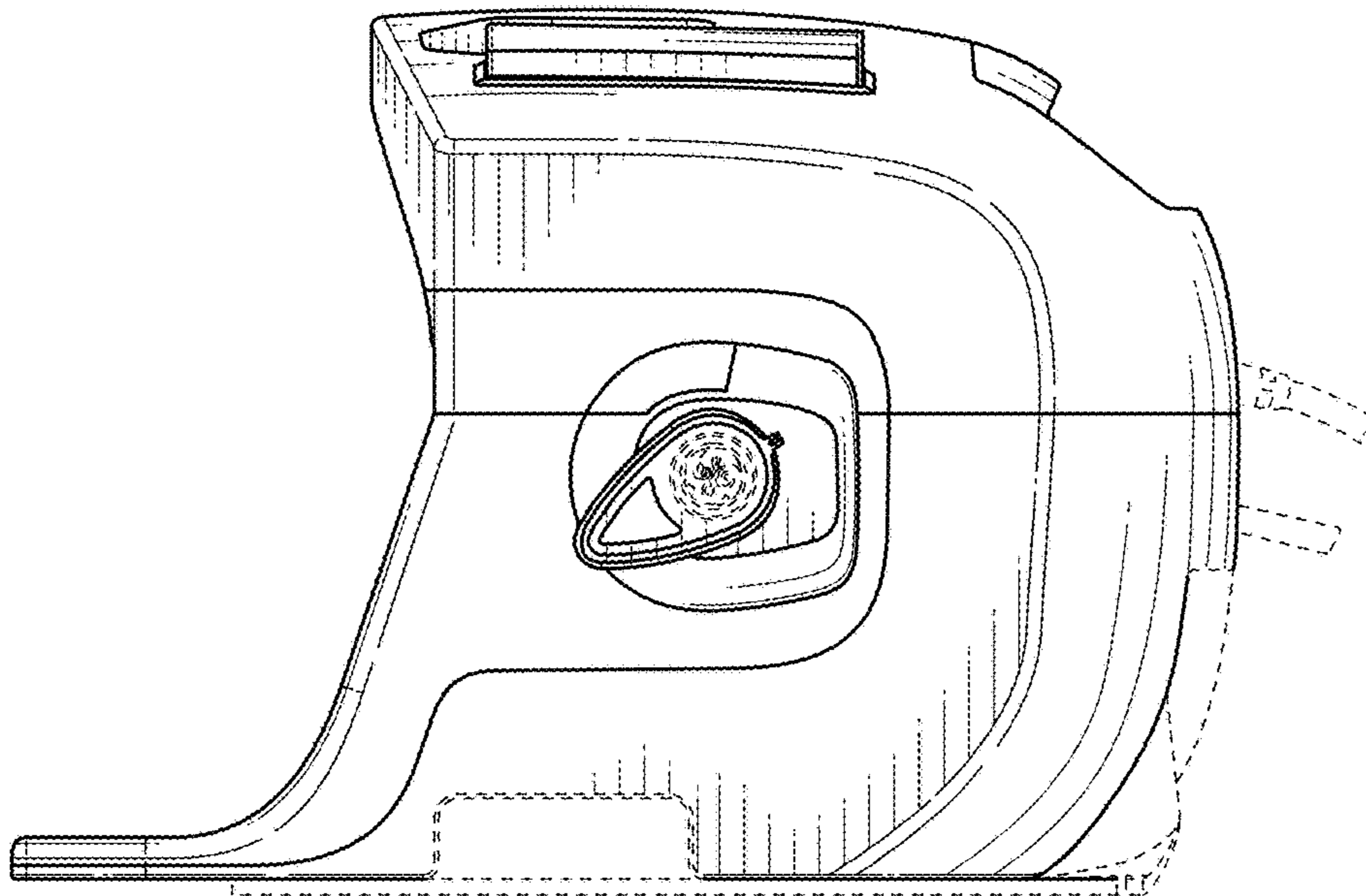


FIG. 5

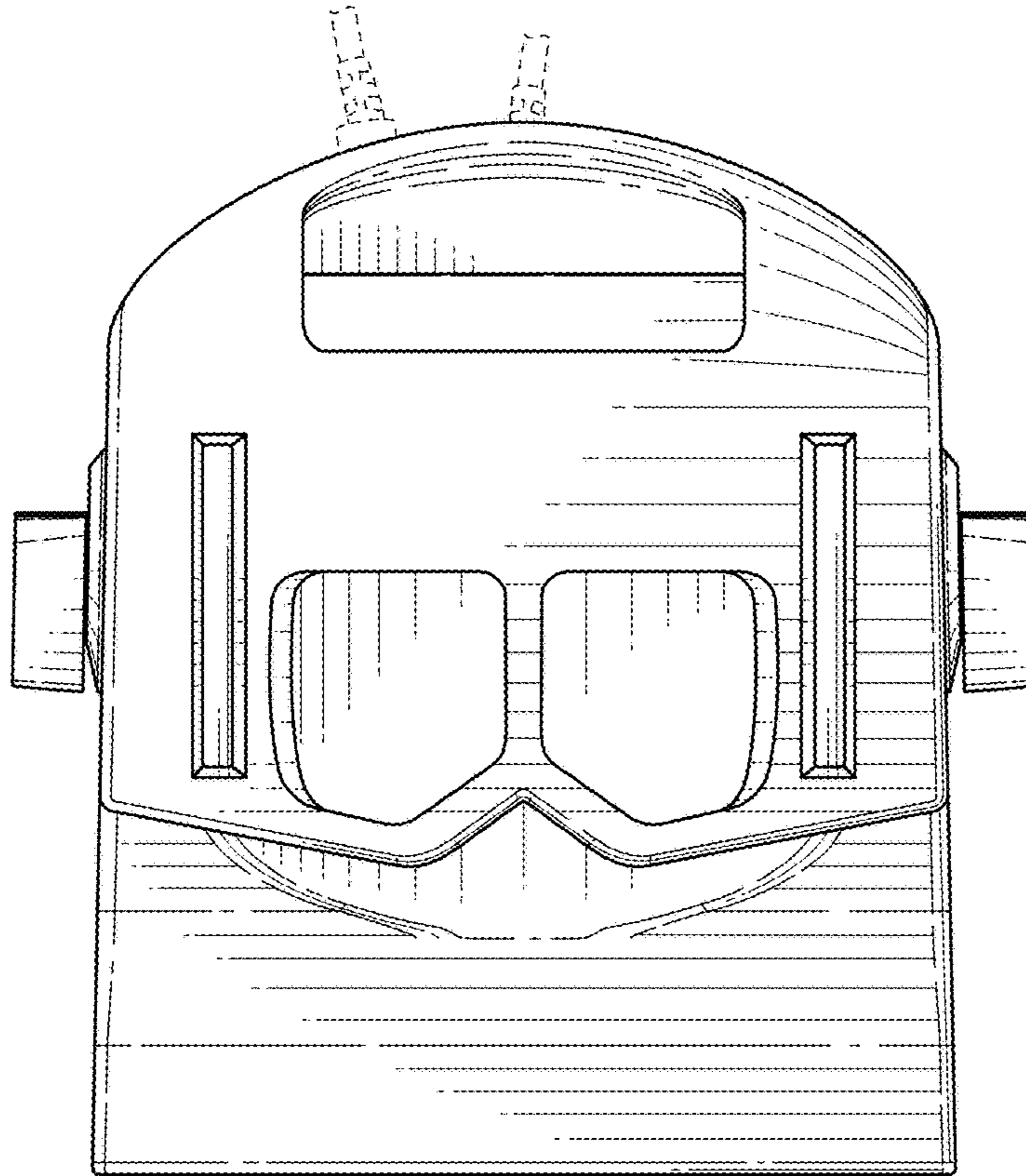


FIG. 6

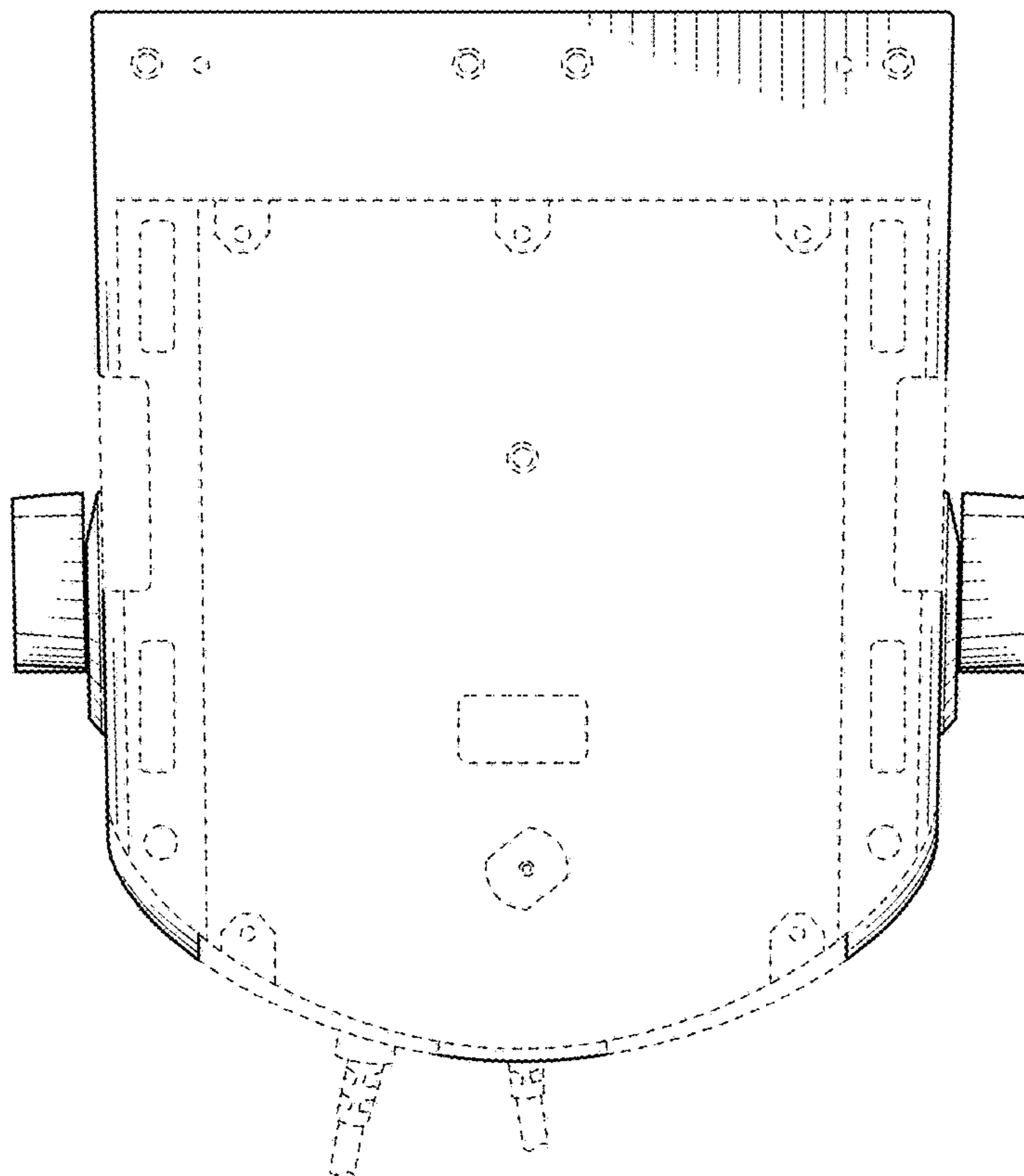


FIG. 7

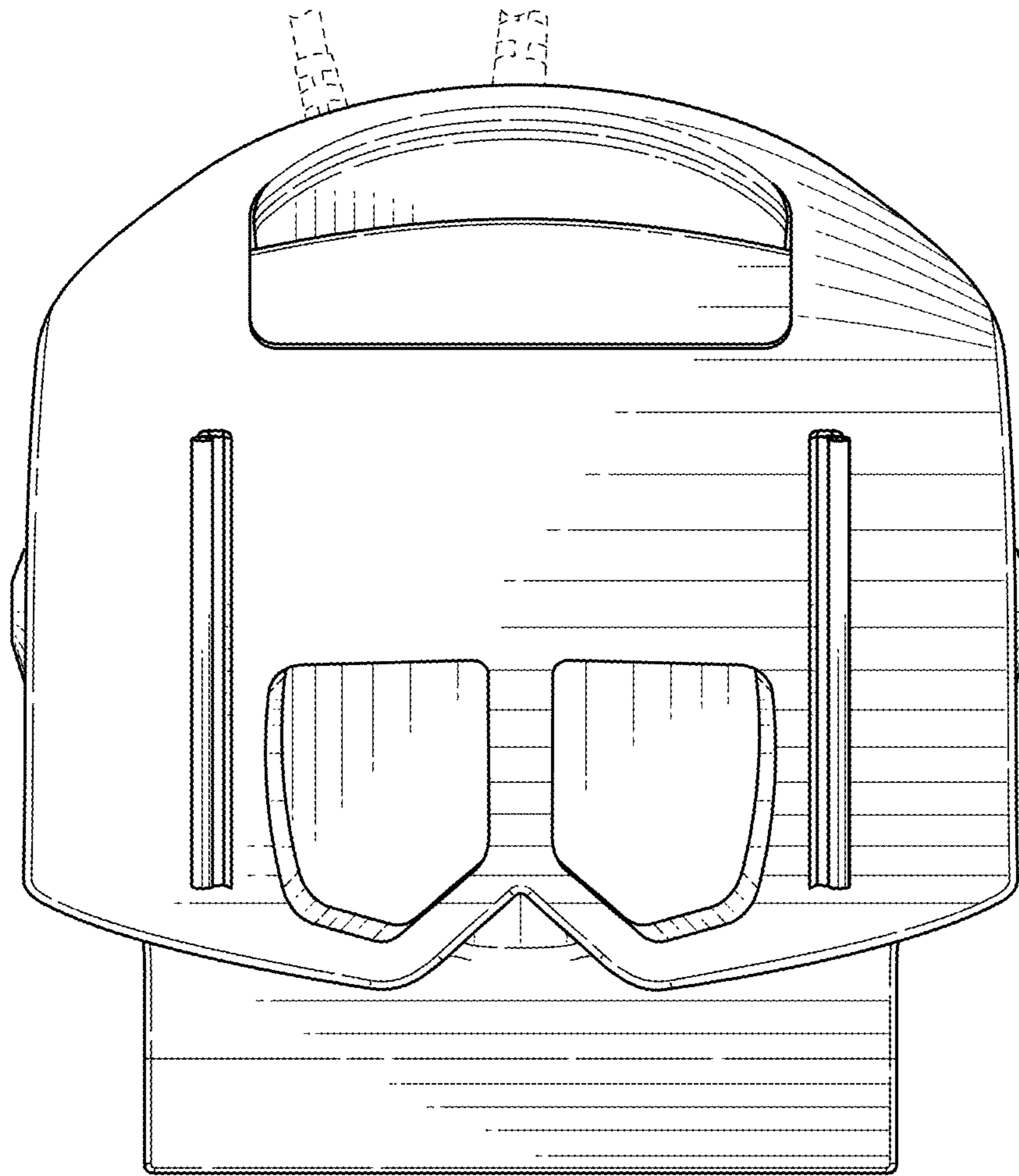


FIG. 8