



US00D823468S

(12) **United States Design Patent**  
**Frenkler et al.**

(10) **Patent No.:** **US D823,468 S**  
(45) **Date of Patent:** **\*\* Jul. 17, 2018**

(54) **MOTOR HANDPIECE FOR ROOT CANAL ENLARGEMENT**

D663,839 S \* 7/2012 Kagawa ..... D24/152  
D714,443 S \* 9/2014 Tanaka ..... D24/152  
2007/0087303 A1\* 4/2007 Papanek ..... A61C 1/12  
433/114

(71) Applicant: **J. MORITA MFG. CORP.**, Kyoto-shi, Kyoto (JP)

**FOREIGN PATENT DOCUMENTS**

(72) Inventors: **Fritz Frenkler**, Munich (DE); **Anette Pohnholzer**, Munich (DE)

EM 002647933-0001 A 3/2015

\* cited by examiner

(73) Assignee: **J. MORITA MFG. CORP.**, Kyoto-shi (JP)

*Primary Examiner* — Wan Laymon

(74) *Attorney, Agent, or Firm* — Oliff PLC

(\*\*) Term: **15 Years**

(21) Appl. No.: **29/598,554**

(57) **CLAIM**

(22) Filed: **Mar. 27, 2017**

The ornamental design for a motor handpiece for root canal enlargement, as shown and described.

(30) **Foreign Application Priority Data**

**DESCRIPTION**

Sep. 27, 2016 (JP) ..... 2016-020729

(51) **LOC (11) Cl.** ..... **24-02**

(52) **U.S. Cl.**  
USPC ..... **D24/152**

(58) **Field of Classification Search**  
USPC ..... D24/152, 154, 146, 133  
CPC ..... A61C 17/0202; A61C 17/005; A61C 1/07;  
A61C 1/088; A61C 1/05; A61C 1/10;  
A61C 1/12; A61C 1/06; A61C 1/141;  
A61C 1/147; A61C 3/00; A61C 3/03  
See application file for complete search history.

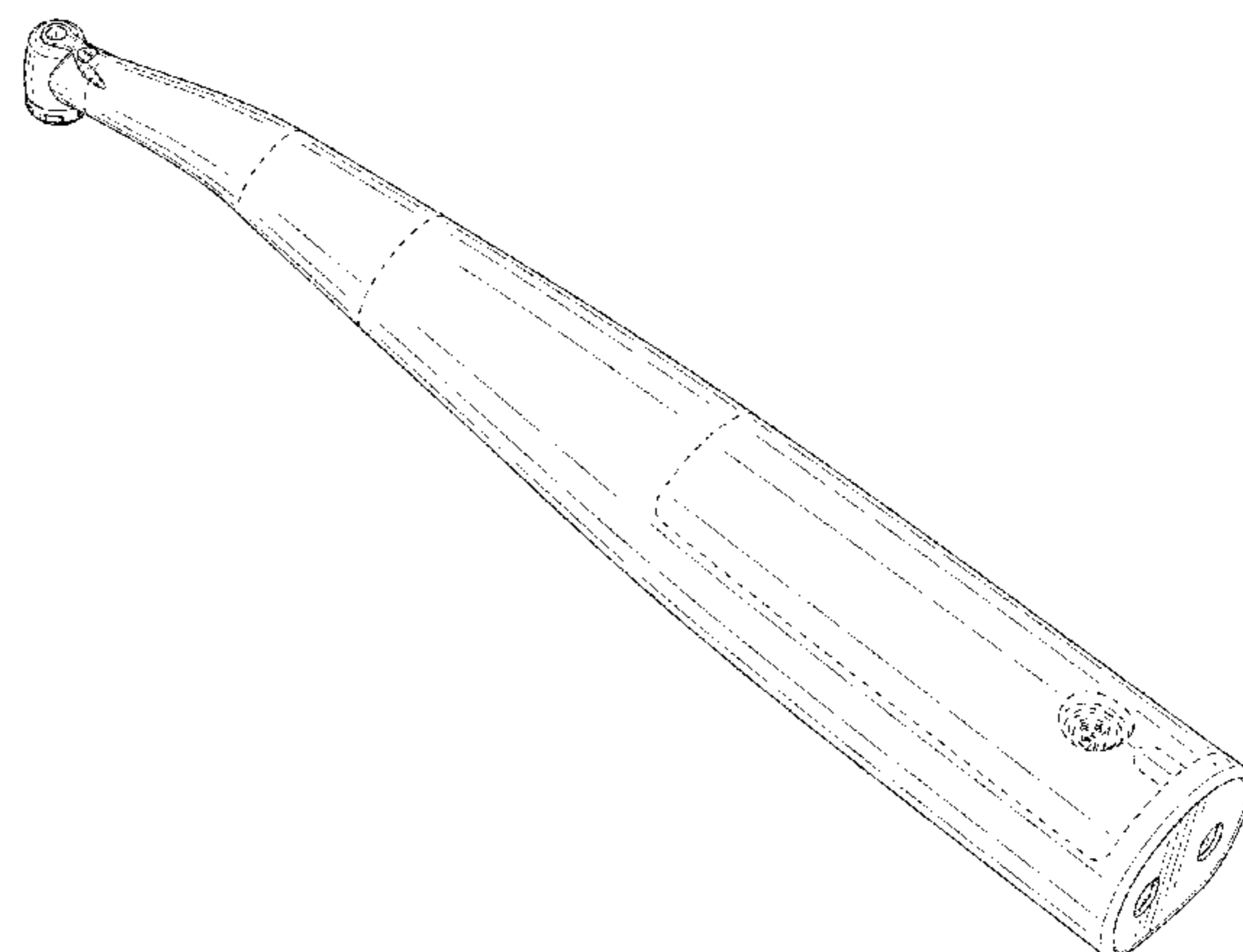
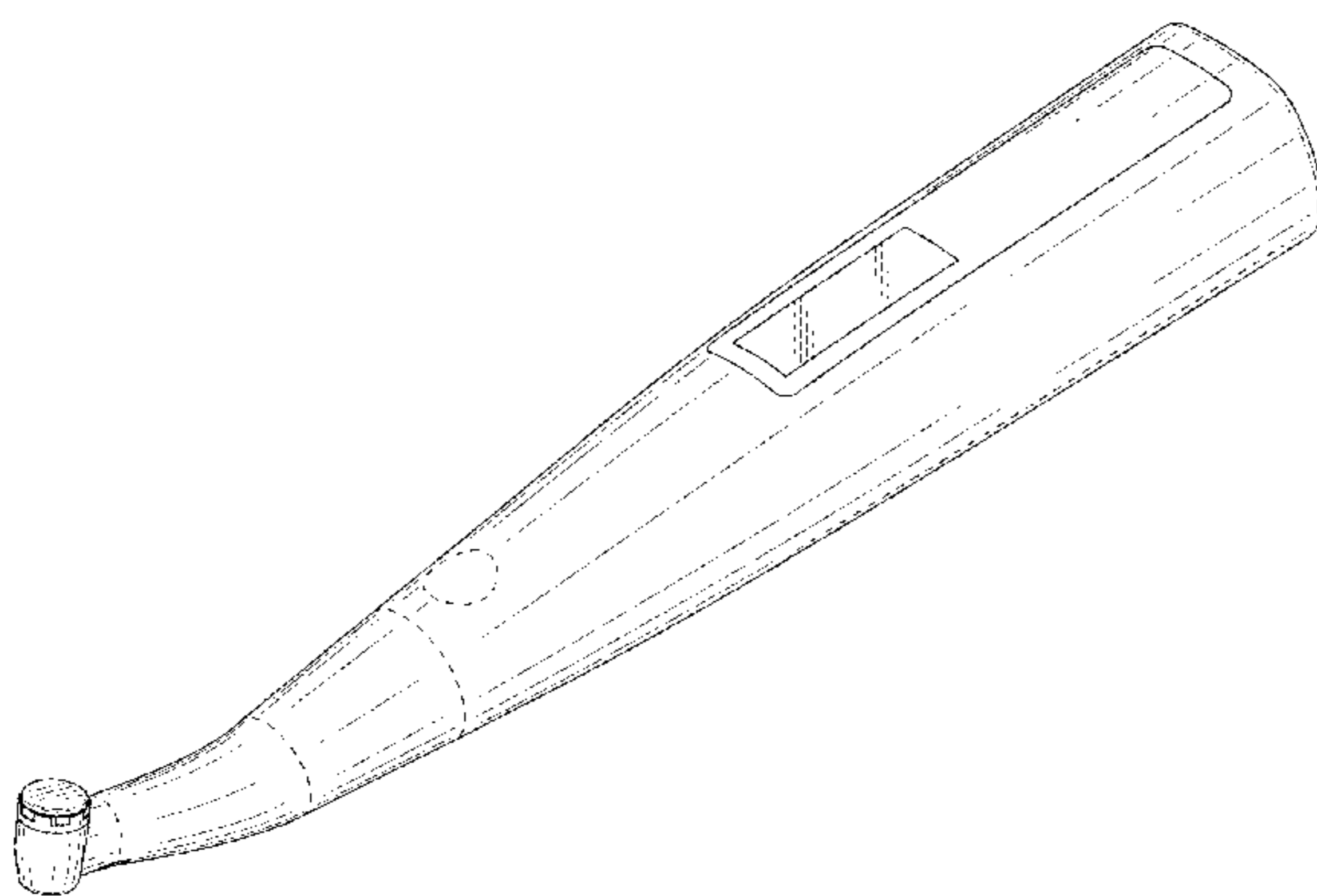
FIG. 1 is a front view of a motor handpiece for root canal enlargement showing our new design;  
FIG. 2 is a rear view thereof;  
FIG. 3 is a top view thereof;  
FIG. 4 is a bottom view thereof;  
FIG. 5 is a right side view thereof;  
FIG. 6 is a left side view thereof;  
FIG. 7 is a perspective view showing front, top and left side thereof;  
FIG. 8 is a perspective view showing rear, bottom and right side thereof;  
FIG. 9 is a perspective view showing rear, bottom and left side thereof; and,  
FIG. 10 is an enlarged perspective view of the portion of FIG. 9 indicated as corresponding to FIG. 10.  
The broken lines shown in the drawings represent portions of the motor handpiece for root canal enlargement that form no part of the claimed design.

(56) **References Cited**

**U.S. PATENT DOCUMENTS**

D373,636 S \* 9/1996 Martin ..... D24/152  
D463,556 S \* 9/2002 Bareth ..... D24/152  
6,638,068 B2 \* 10/2003 Lingenhole ..... A61C 1/088  
433/114  
D499,486 S \* 12/2004 Kuhn ..... D24/146  
D550,358 S \* 9/2007 Nakanishi ..... D24/152  
D556,323 S \* 11/2007 Nakanishi ..... D24/152  
D653,755 S \* 2/2012 Takiguchi ..... D24/152

**1 Claim, 5 Drawing Sheets**



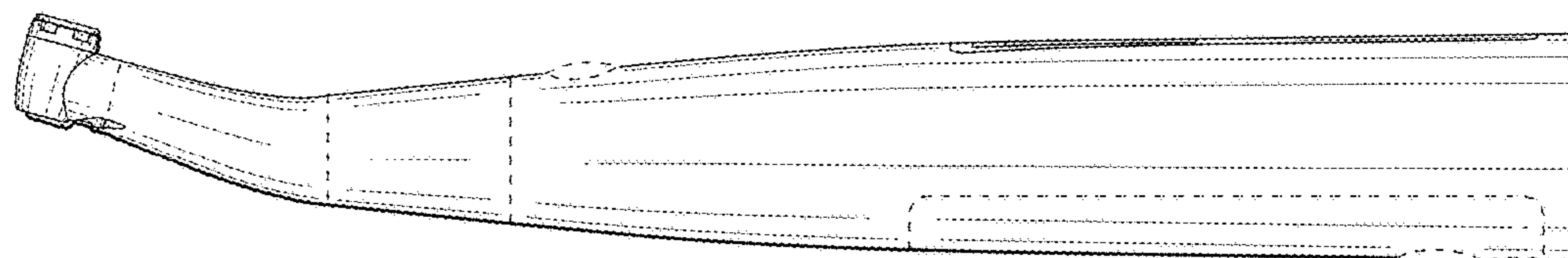


FIG. 1

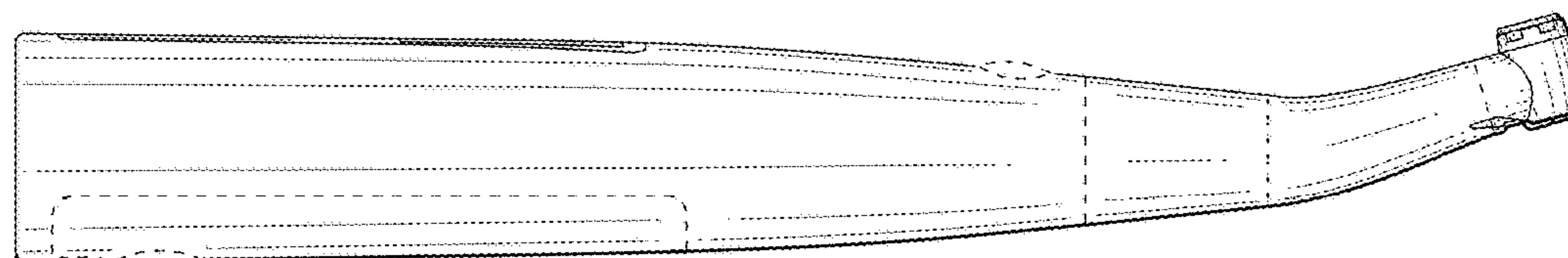


FIG. 2

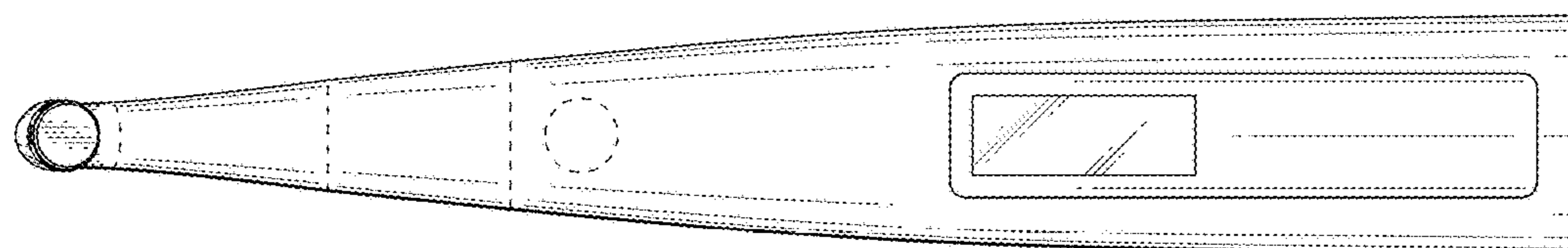


FIG. 3

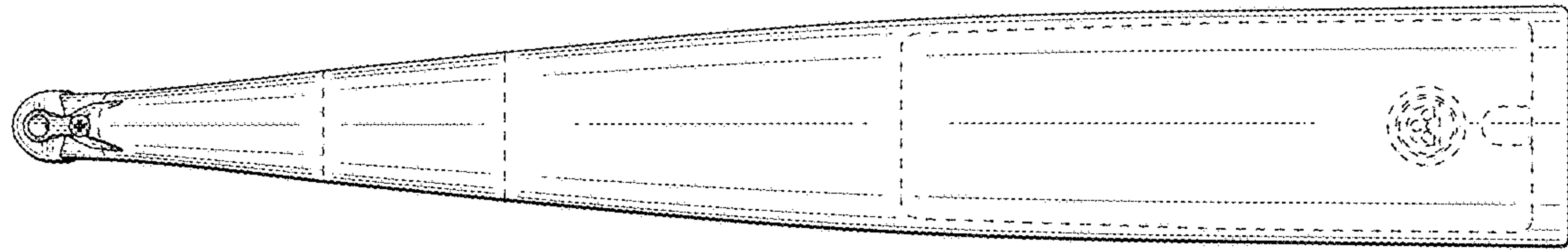


FIG. 4

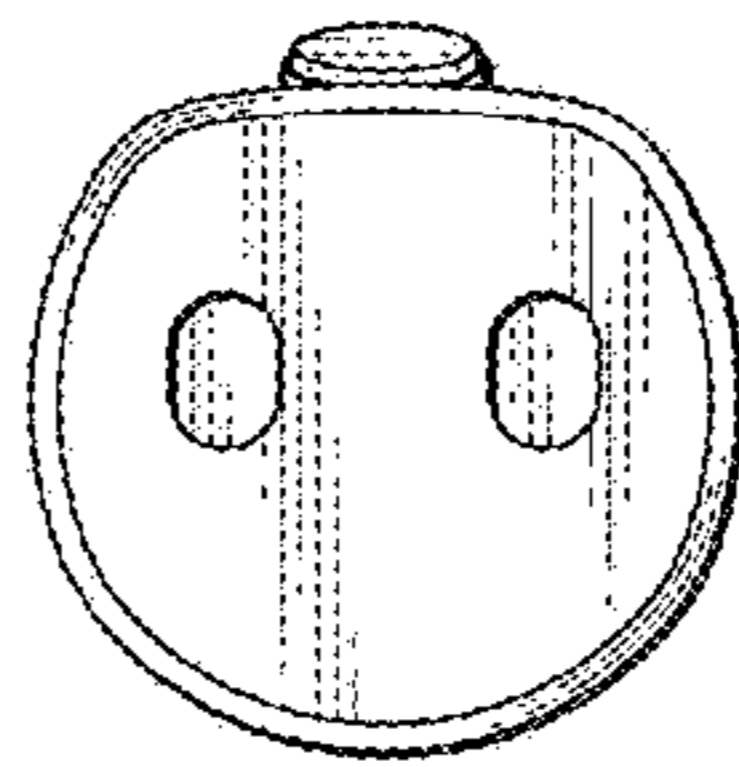


FIG. 5

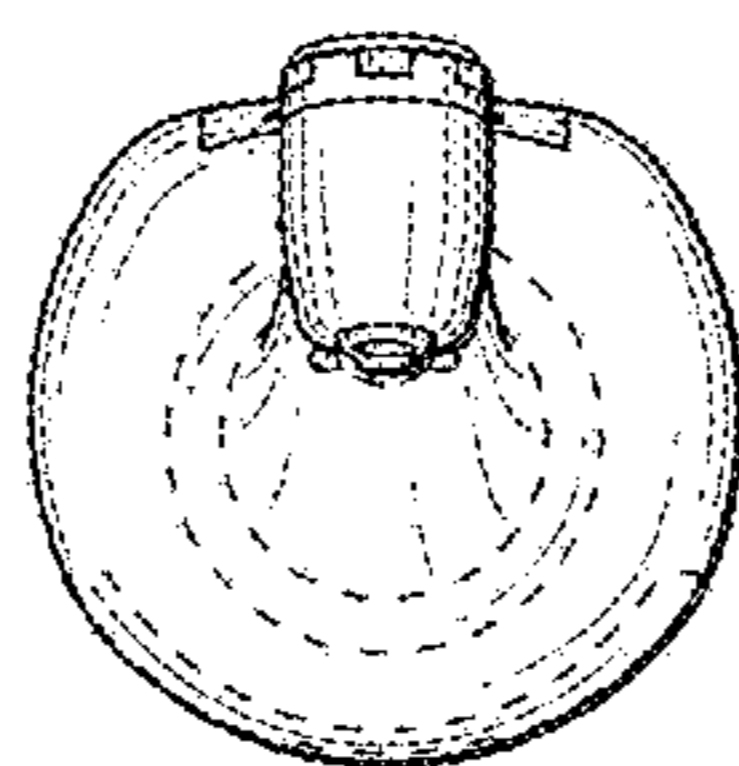


FIG. 6

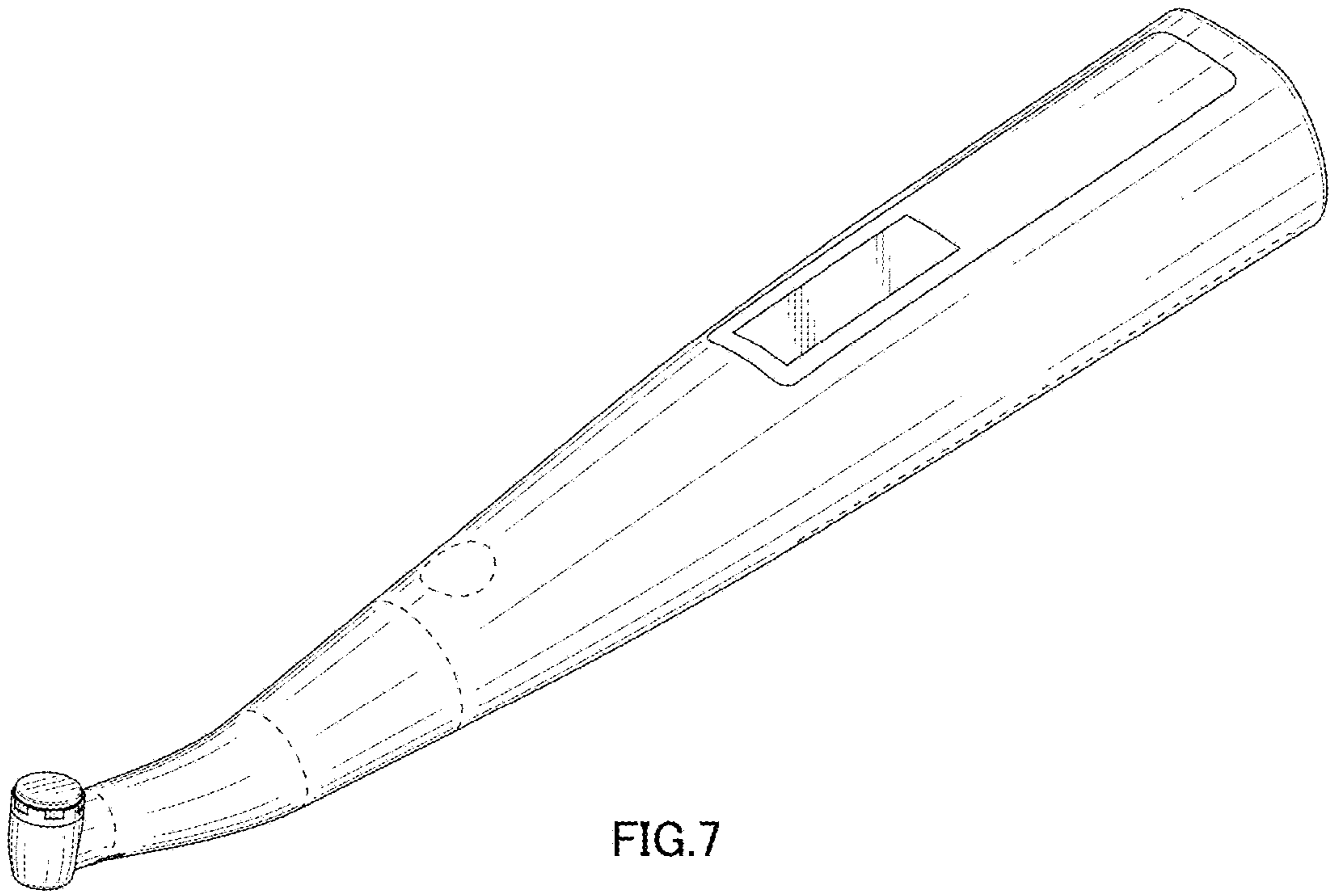


FIG. 7

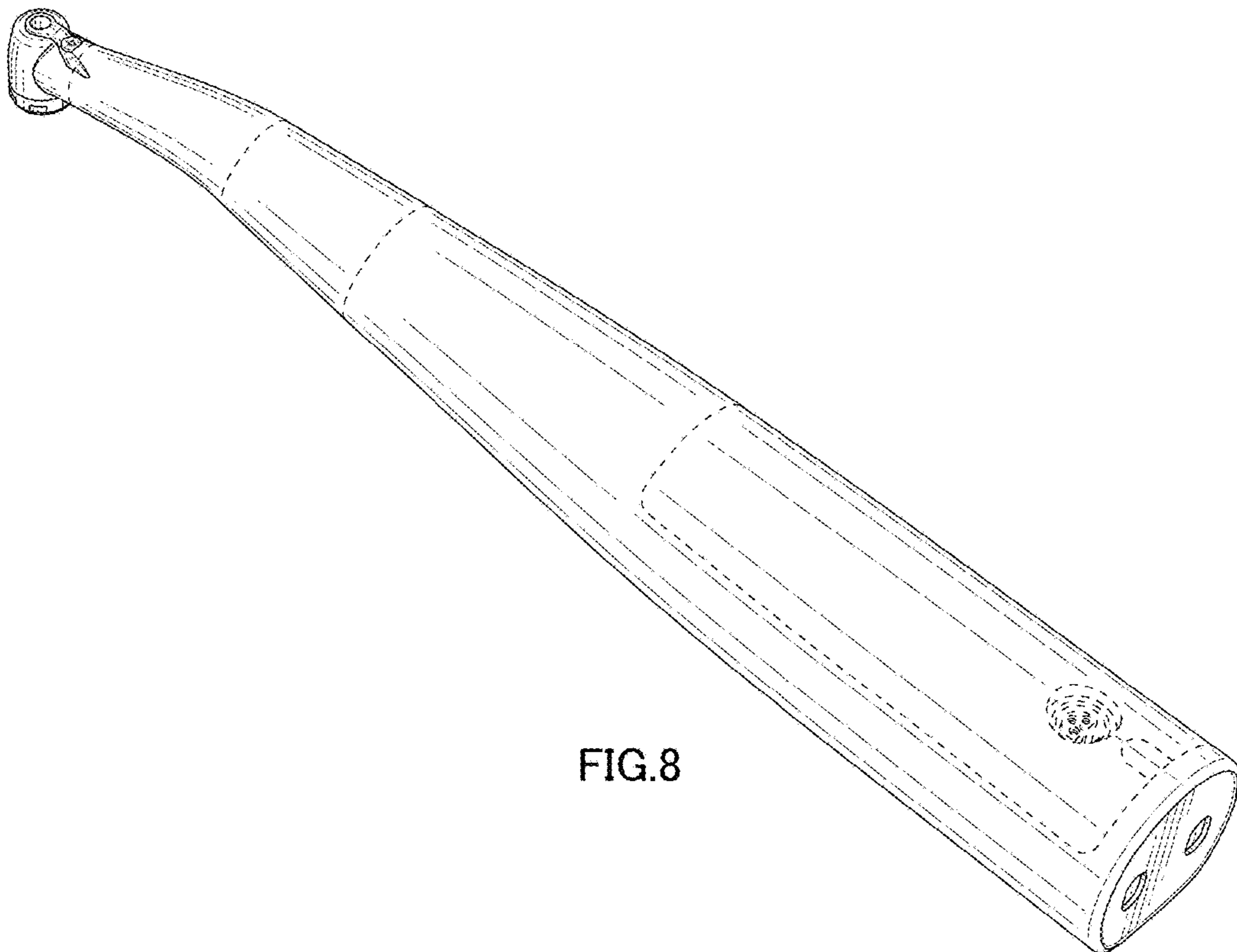
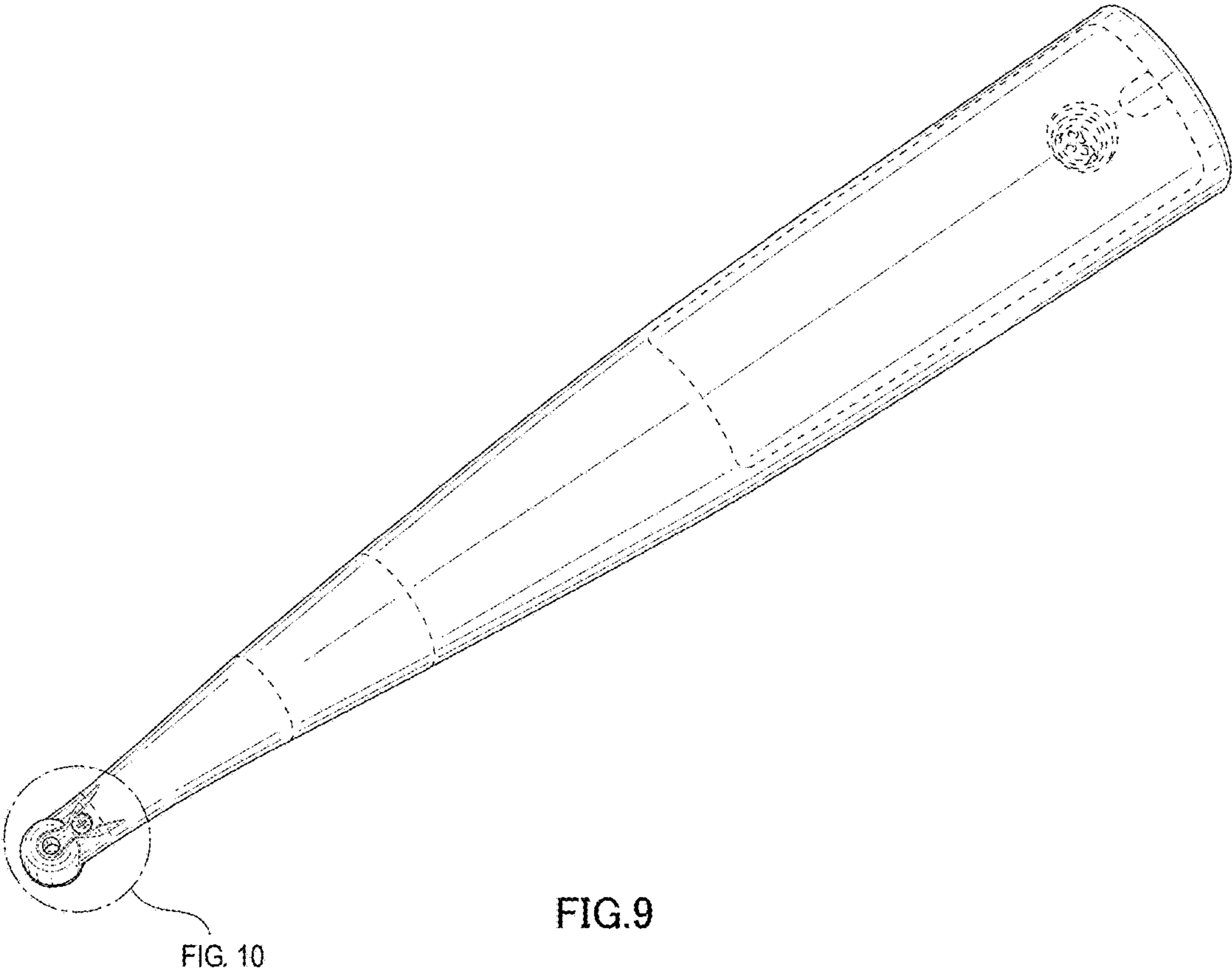


FIG. 8



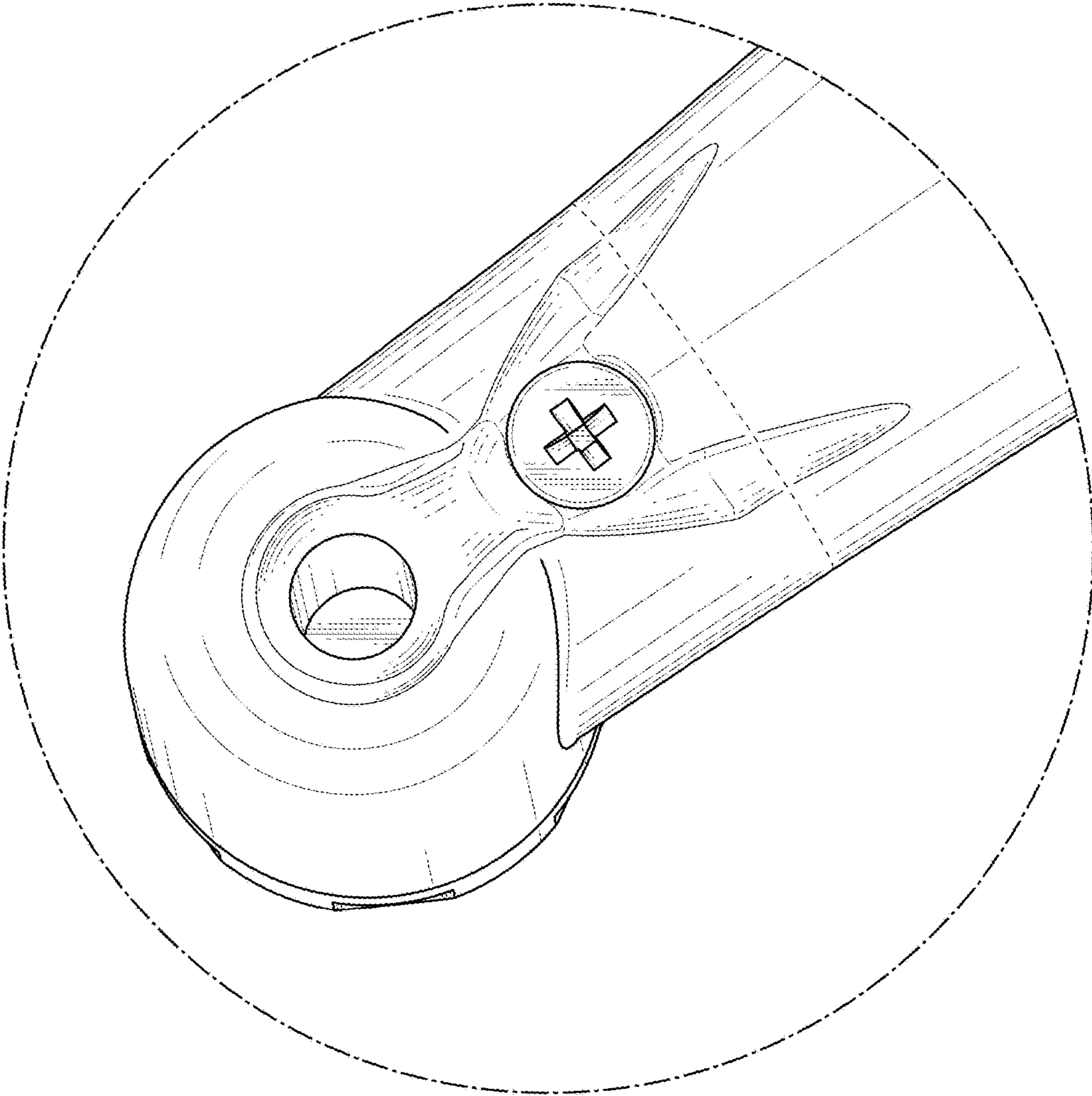


FIG.10