



US00D823467S

(12) **United States Design Patent** (10) **Patent No.:** **US D823,467 S**  
**Uetz** (45) **Date of Patent:** **\*\* Jul. 17, 2018**

(54) **DENTAL HANDPIECE BUR RELEASE ACCESSORY**  
(71) Applicant: **Joseph Uetz**, Elk Mound, WI (US)  
(72) Inventor: **Joseph Uetz**, Elk Mound, WI (US)  
(73) Assignee: **Mark L. Anderson**, Spring Valley, WI (US)  
(\*\*) Term: **15 Years**  
(21) Appl. No.: **29/607,365**  
(22) Filed: **Jun. 13, 2017**  
(51) **LOC (11) Cl.** ..... **24-02**  
(52) **U.S. Cl.**  
USPC ..... **D24/147; 24/152; 24/156**  
(58) **Field of Classification Search**  
USPC ..... D24/108, 112, 113, 114, 115, 127, 133, D24/146, 147, 135, 136, 137, 138, 140, D24/152, 176, 156; D21/484, 485, 492, D21/495, 499, 500, 501, 503, 504  
CPC .. A61C 3/06; A61C 5/85; A61C 1/144; A61C 1/141; A61C 1/12; A61C 3/02; A61B 17/162; A61B 17/1673  
See application file for complete search history.

D660,431 S \* 5/2012 Holley ..... D24/147  
D699,792 S \* 2/2014 Hwang ..... D21/499  
D743,548 S \* 11/2015 Huang ..... D24/146  
D781,416 S \* 3/2017 Racz ..... D24/112  
D798,450 S \* 9/2017 Jenkins ..... D24/146  
D802,058 S \* 11/2017 Ishaque ..... D21/501  
D807,440 S \* 1/2018 Hu ..... D21/501  
2017/0189137 A1\* 7/2017 Su ..... A61C 1/144

\* cited by examiner

*Primary Examiner* — Thomas Johannes  
*Assistant Examiner* — Samantha Q. Lawrence  
(74) *Attorney, Agent, or Firm* — Skinner and Associates; Joel Skinner

(57) **CLAIM**

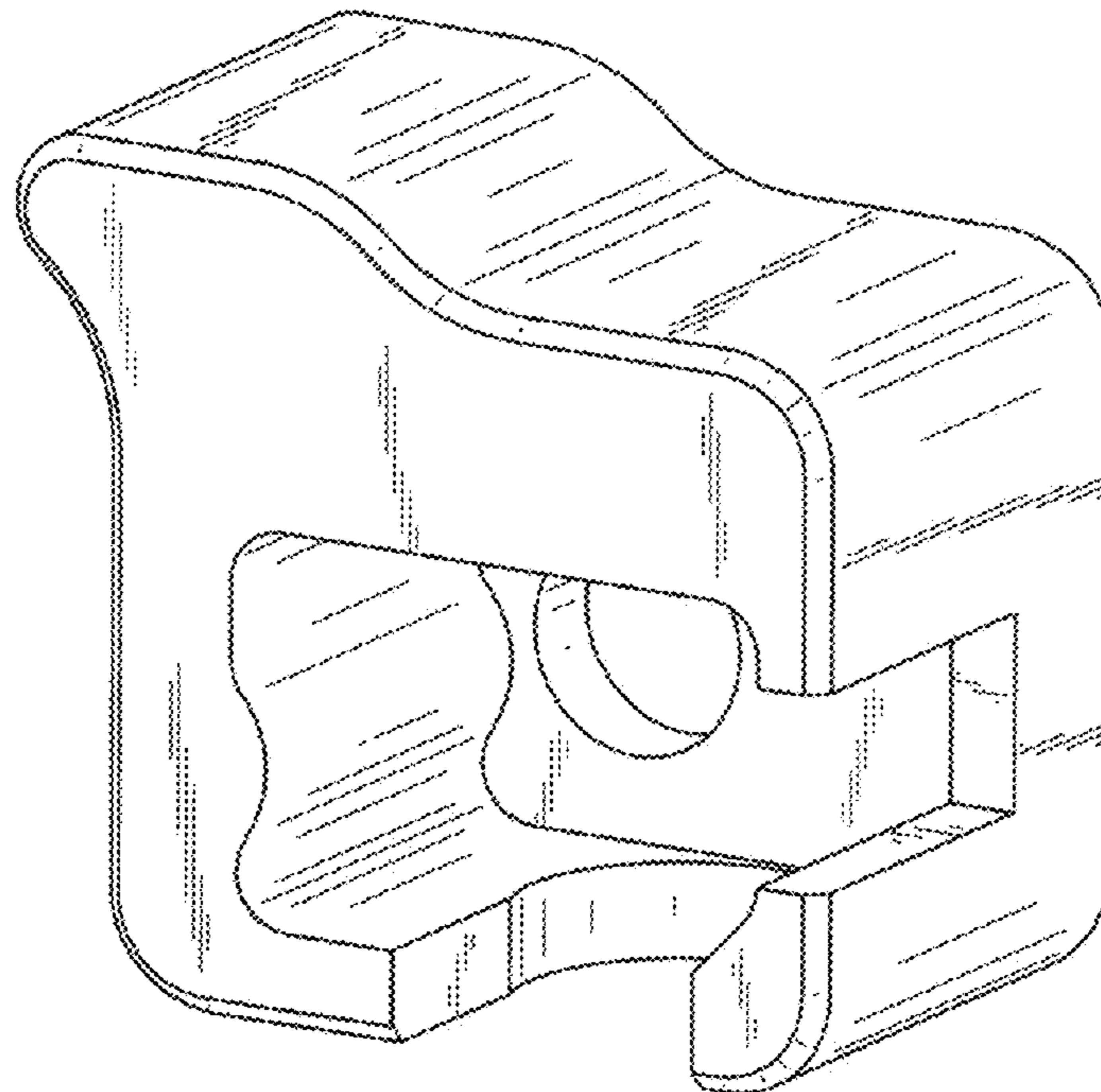
The ornamental design for a dental handpiece bur release accessory, as shown and described.

**DESCRIPTION**

FIG. 1 is a perspective view of a dental handpiece bur release accessory showing my new invention;  
FIG. 2 is a side view thereof.  
FIG. 3 is an opposite side view thereof.  
FIG. 4 is an end view thereof.  
FIG. 5 is an opposite end view thereof.  
FIG. 6 is a top view thereof.  
FIG. 7 is a bottom view thereof; and,  
FIG. 8 is another perspective view thereof, showing the dental handpiece bur release accessory in use.  
The broken lines shown in FIG. 8 illustrate environment and form no part of the claimed design.

**1 Claim, 5 Drawing Sheets**

(56) **References Cited**  
U.S. PATENT DOCUMENTS  
D366,316 S \* 1/1996 Reil ..... D24/146  
D370,503 S \* 6/1996 Burns ..... D21/500  
D392,041 S \* 3/1998 Reil ..... D24/146  
D450,383 S \* 11/2001 Mann ..... D24/146  
D635,669 S \* 4/2011 Katsura ..... D24/147



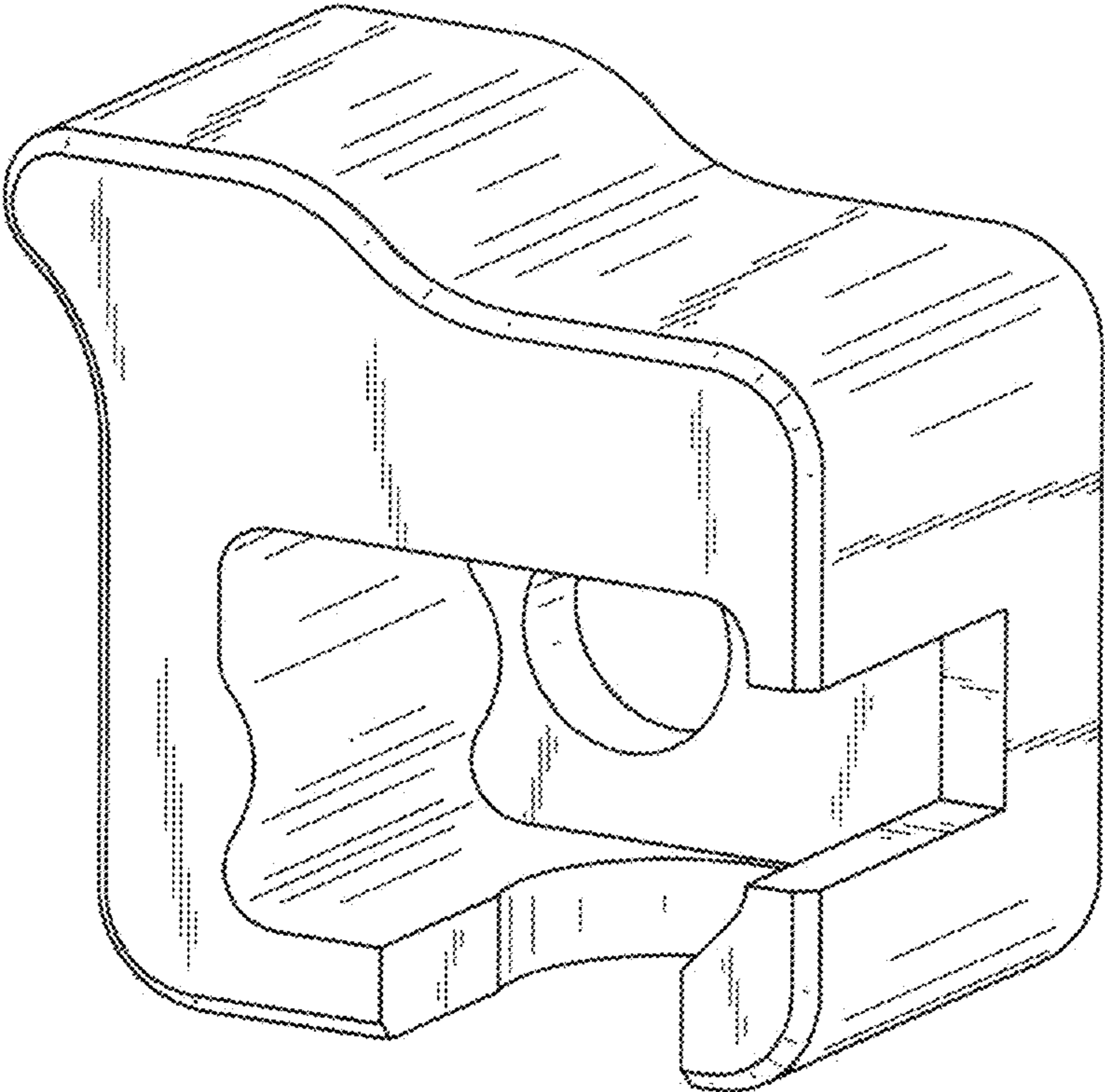


FIG. 1

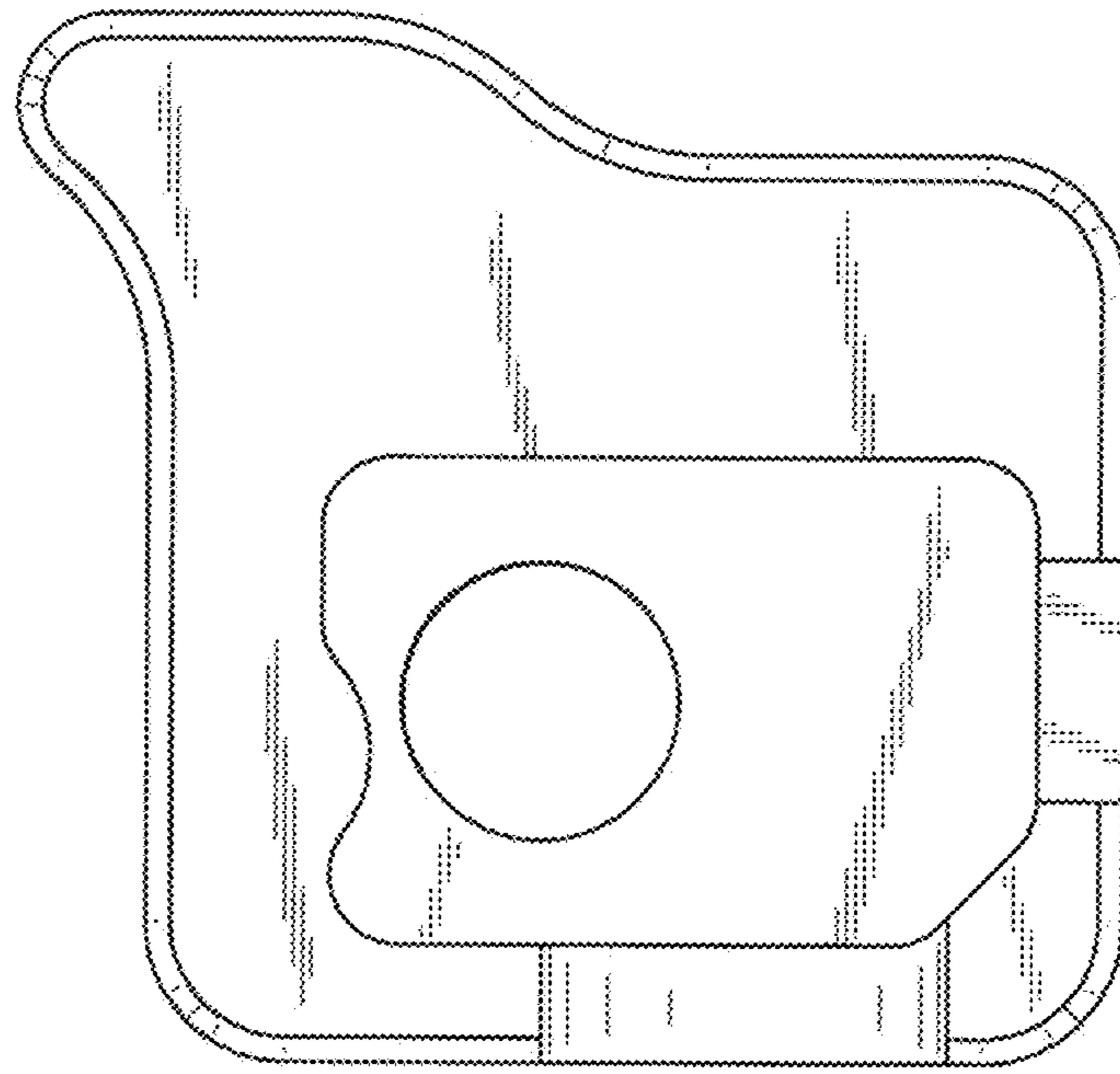


FIG. 2

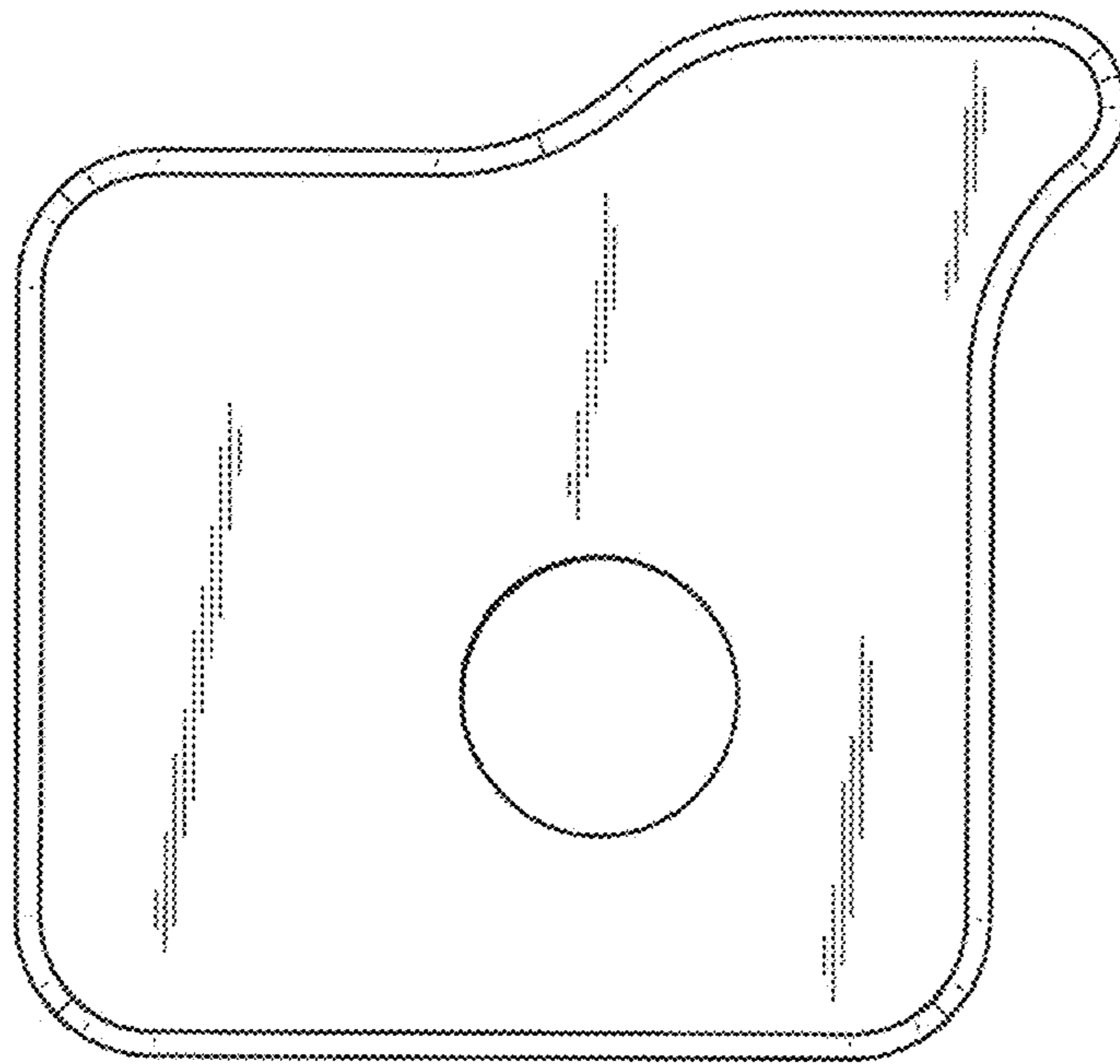


FIG. 3

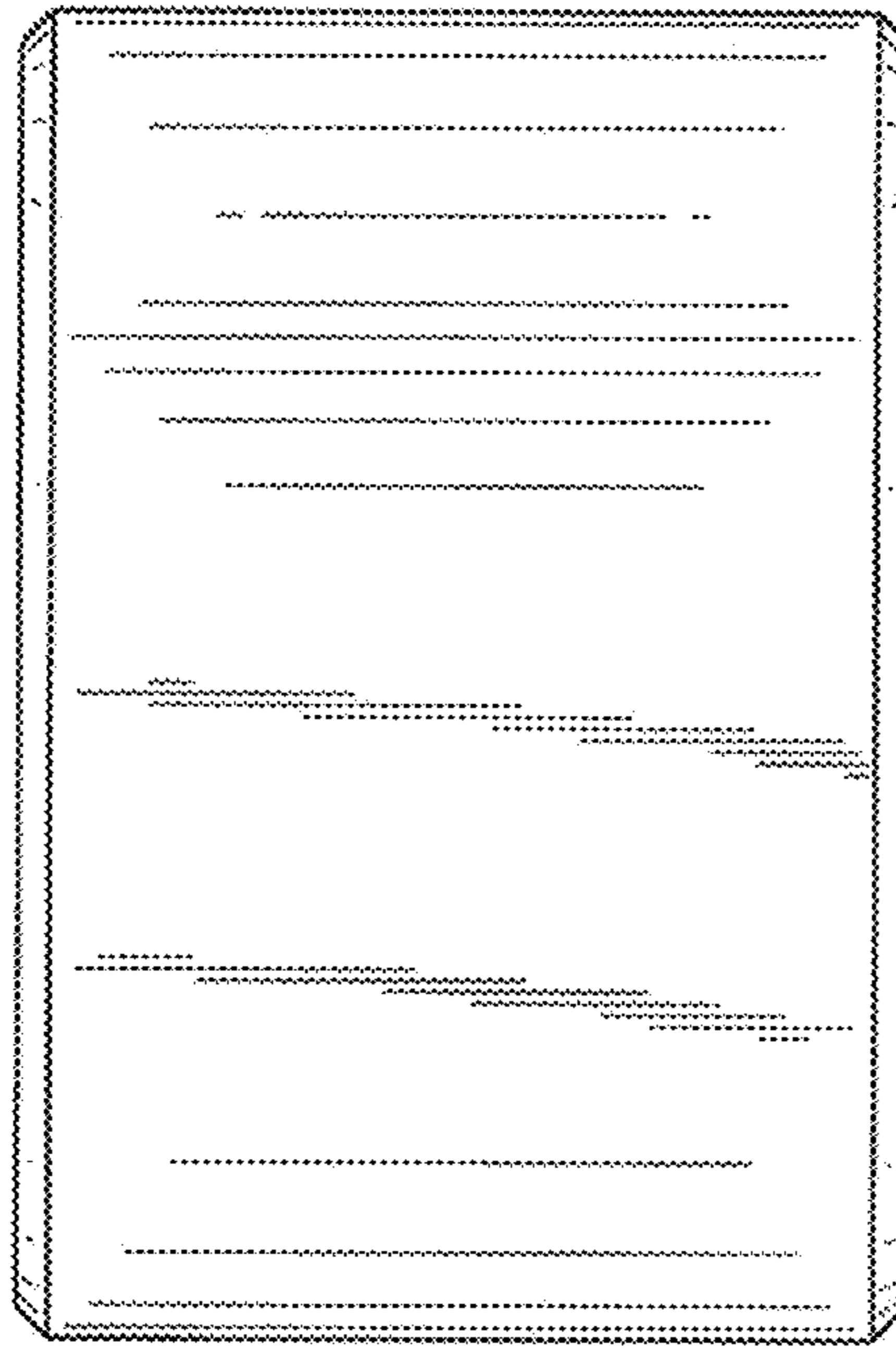


FIG. 4

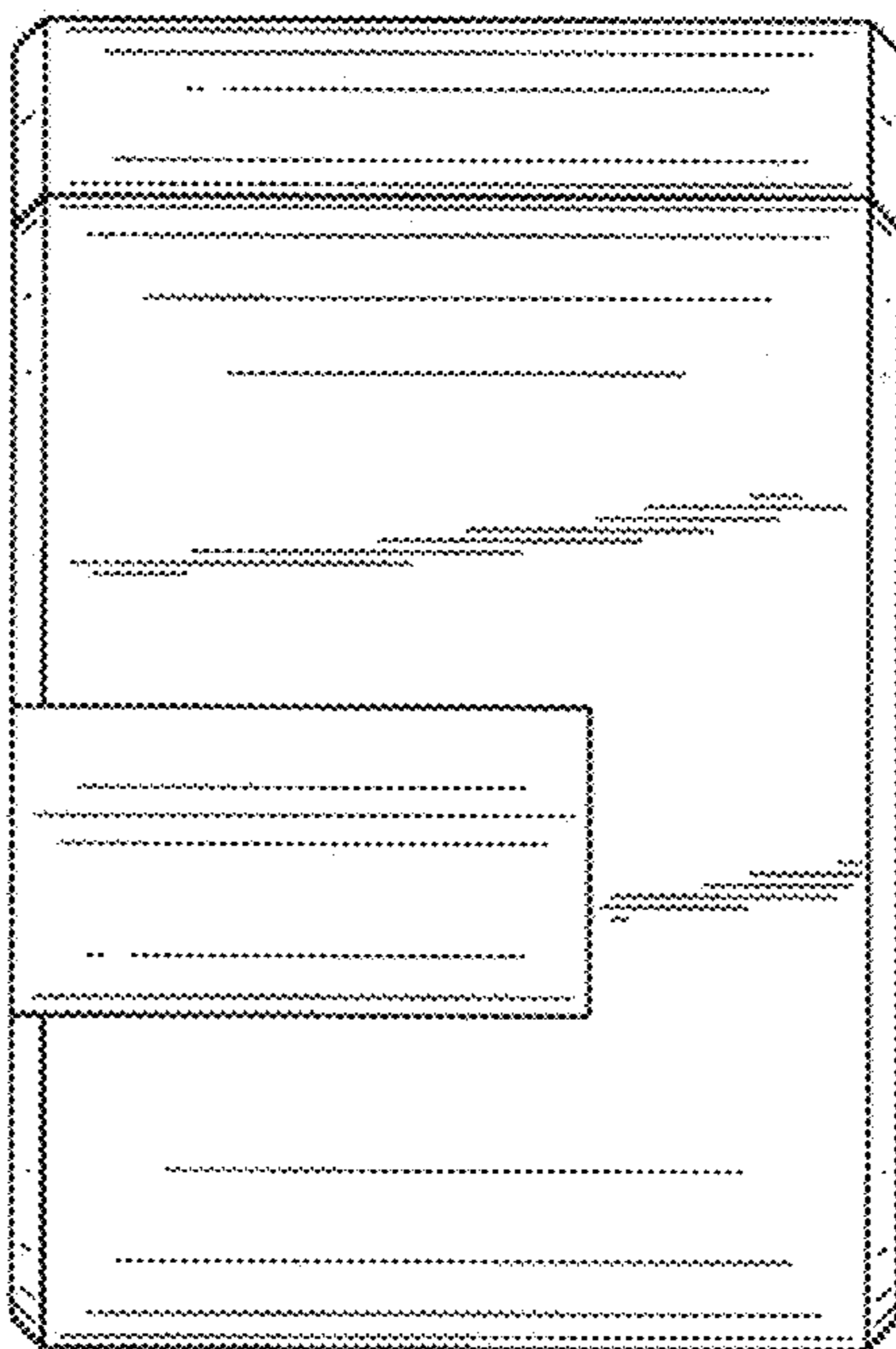


FIG. 5

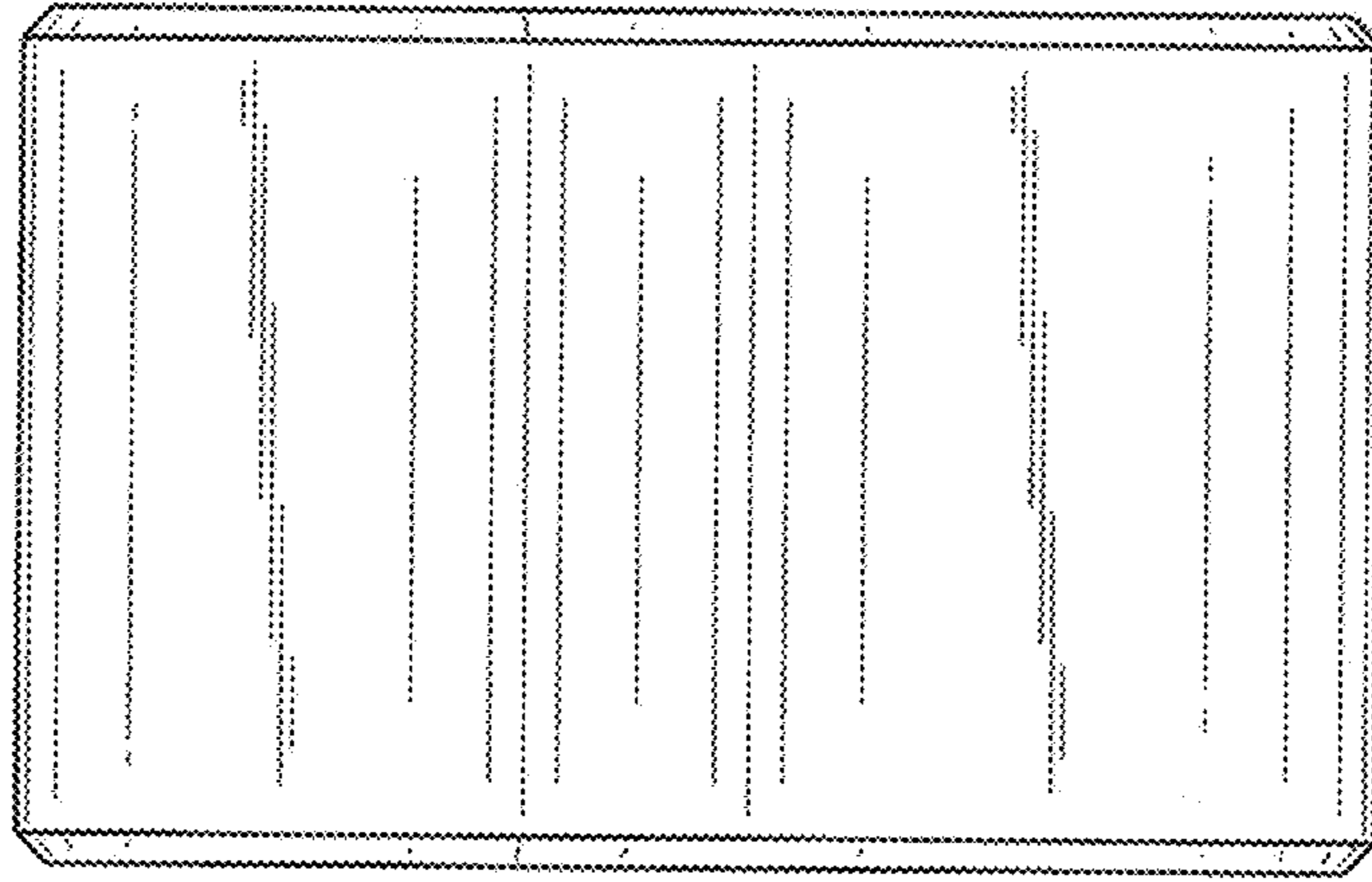


FIG. 6

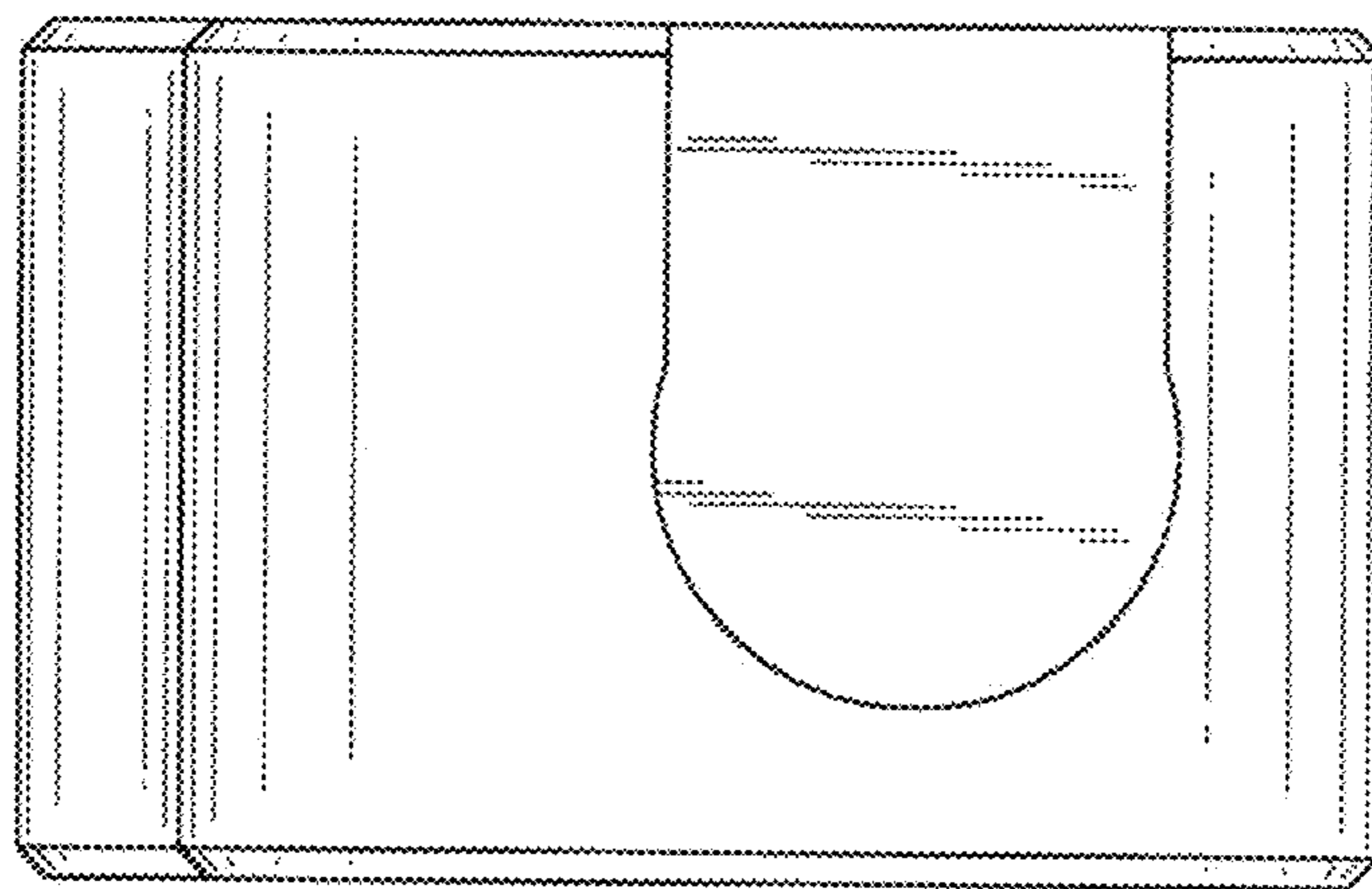


FIG. 7

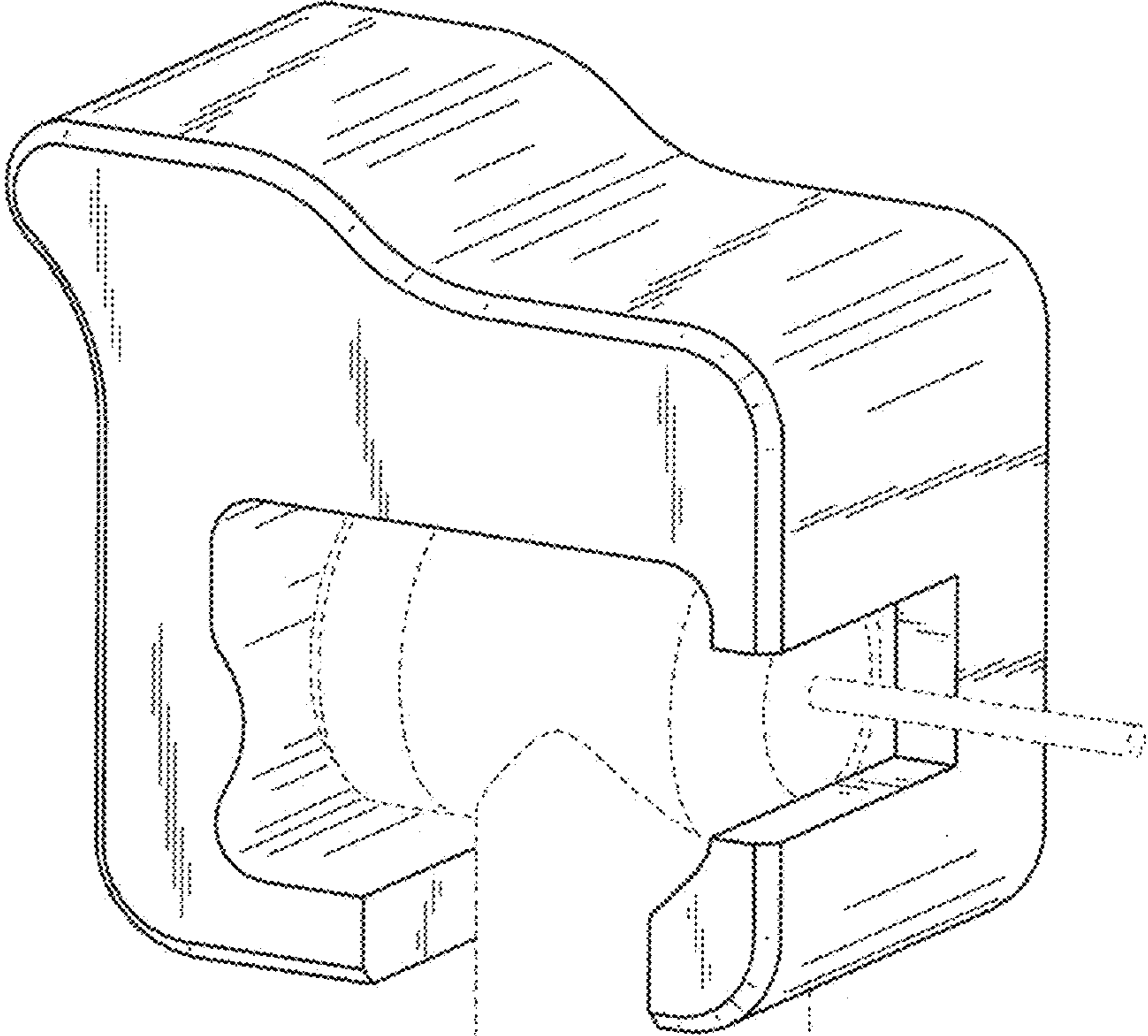


FIG. 8