



US00D823465S

(12) **United States Design Patent** (10) **Patent No.:** **US D823,465 S**  
**Eacock et al.** (45) **Date of Patent:** **\*\* Jul. 17, 2018**

(54) **ENDOSCOPIC TOOL CONNECTOR**

(71) Applicant: **Interscope, Inc.**, Whitinsville, MA (US)

(72) Inventors: **Graham Eacock**, Westborough, MA (US); **Stephen K. Guerrera**, Holliston, MA (US); **Mark Anthony Begley**, West Barnstable, MA (US); **Sarah Kostanski**, Chelmsford, MA (US); **Jeffery Bennith Ryan, Jr.**, Whitinsville, MA (US)

(73) Assignee: **INTERSCOPE, INC.**, Whitinsville, MA (US)

(\*\*) Term: **15 Years**

(21) Appl. No.: **29/545,289**

(22) Filed: **Nov. 11, 2015**

(51) **LOC (11) Cl.** ..... **24-02**

(52) **U.S. Cl.**  
USPC ..... **D24/129**; D24/138

(58) **Field of Classification Search**  
USPC ... D24/110.6, 112, 127, 129, 133, 137, 138, D24/140; D23/262  
CPC ... A61B 1/00121; A61B 1/04; A61B 1/00066; A61B 1/00119; A61B 1/005; A61B 1/0669; A61B 1/00112  
See application file for complete search history.

(56) **References Cited**

**U.S. PATENT DOCUMENTS**

|              |         |                      |         |
|--------------|---------|----------------------|---------|
| D204,670 S * | 5/1966  | Gilson .....         | D24/129 |
| D435,653 S * | 12/2000 | Niedospial, Jr. .... | D24/129 |
| D536,449 S * | 2/2007  | Nakajima .....       | D24/138 |
| D589,618 S * | 3/2009  | Hasebe .....         | D24/133 |
| D593,679 S * | 6/2009  | Bartlett .....       | D24/130 |
| D620,107 S * | 7/2010  | Bartlett .....       | D24/112 |
| D635,668 S * | 4/2011  | Bartlett .....       | D24/112 |
| D720,452 S * | 12/2014 | Jordan .....         | D24/130 |
| D780,916 S * | 3/2017  | Ogura .....          | D24/138 |

|                   |         |                     |                       |
|-------------------|---------|---------------------|-----------------------|
| D784,529 S *      | 4/2017  | Steele .....        | D24/129               |
| 2007/0129705 A1 * | 6/2007  | Trombley, III ..... | A61M 39/10<br>604/523 |
| 2011/0298209 A1 * | 12/2011 | Nguyen .....        | A61M 39/10<br>285/321 |
| 2017/0172396 A1 * | 6/2017  | Nguyen .....        | A61B 1/121            |

**OTHER PUBLICATIONS**

The EndoRotor Mucosal Resection System Procedural Guide. LAB-0002 REV D. Interscope Inc. Date published: 2017.\*  
The EndoRotor Mucosal Resection System Procedural Guide. LAB-0005 REV D. Interscope Inc. Date published: 2017.\*

\* cited by examiner

*Primary Examiner* — Karen E Kearney  
*Assistant Examiner* — Lilyana Bekic

(74) *Attorney, Agent, or Firm* — Shabbi S. Khan; Nikhil T. Pradhan; Foley & Lardner LLP

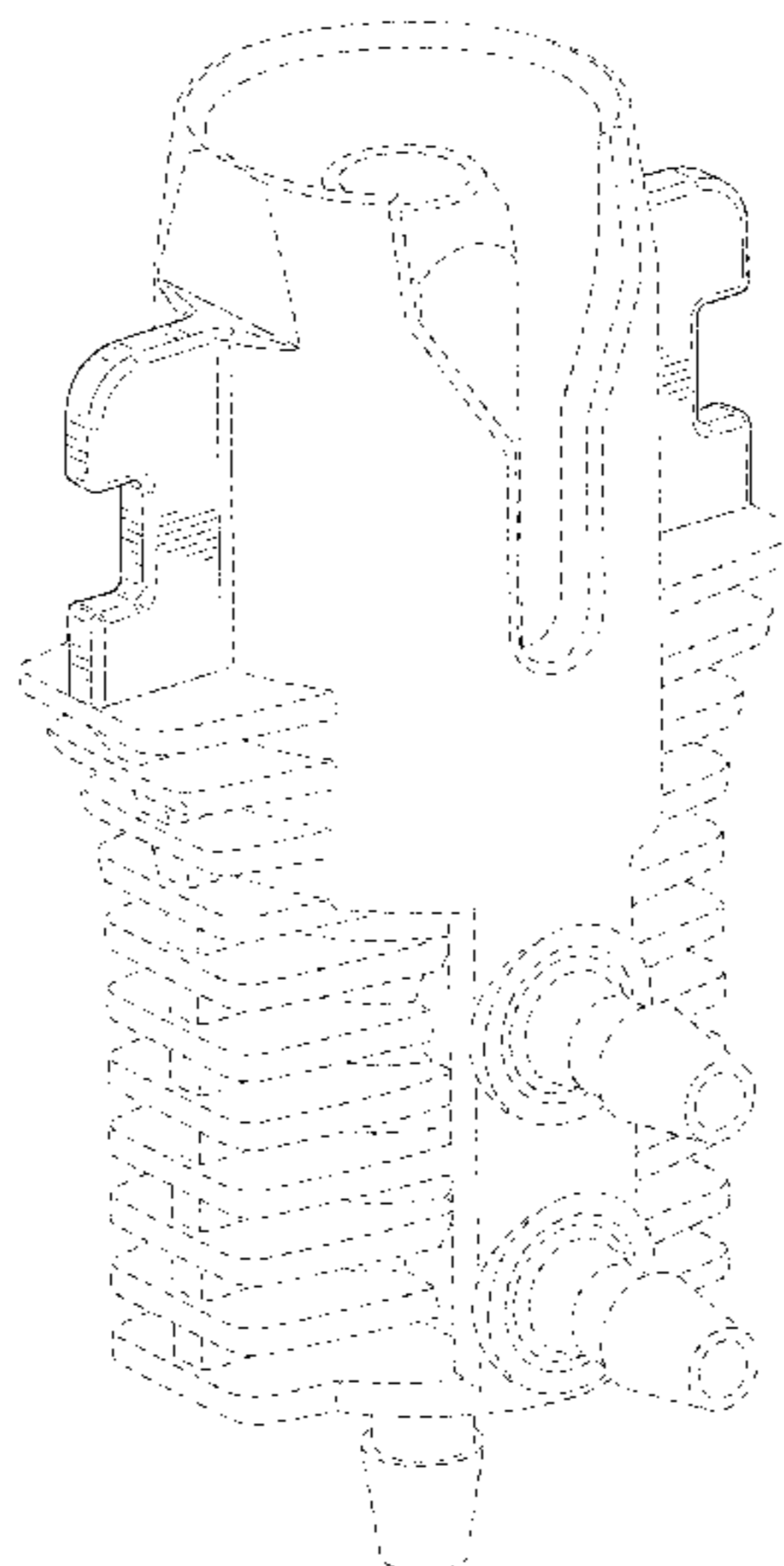
(57) **CLAIM**

We claim the ornamental design for a endoscopic tool connector, as shown and described.

**DESCRIPTION**

FIG. 1 is a front left perspective view of the endoscopic tool connector showing the new design;  
FIG. 2 is a front perspective view thereof;  
FIG. 3 is a front elevation view thereof;  
FIG. 4 is a rear elevation view thereof;  
FIG. 5 is a bottom plan view thereof;  
FIG. 6 is a top plan view thereof;  
FIG. 7 is a left elevation view thereof; and,  
FIG. 8 is a right elevation view thereof.  
The broken lines in the drawings form no part of the claimed design. The dash-dot-dash broken lines depict the boundaries of the claimed design and form no part thereof. The dash-dash broken line illustrate portions of the endoscopic tool connector that form no part of the claimed design.

**1 Claim, 7 Drawing Sheets**



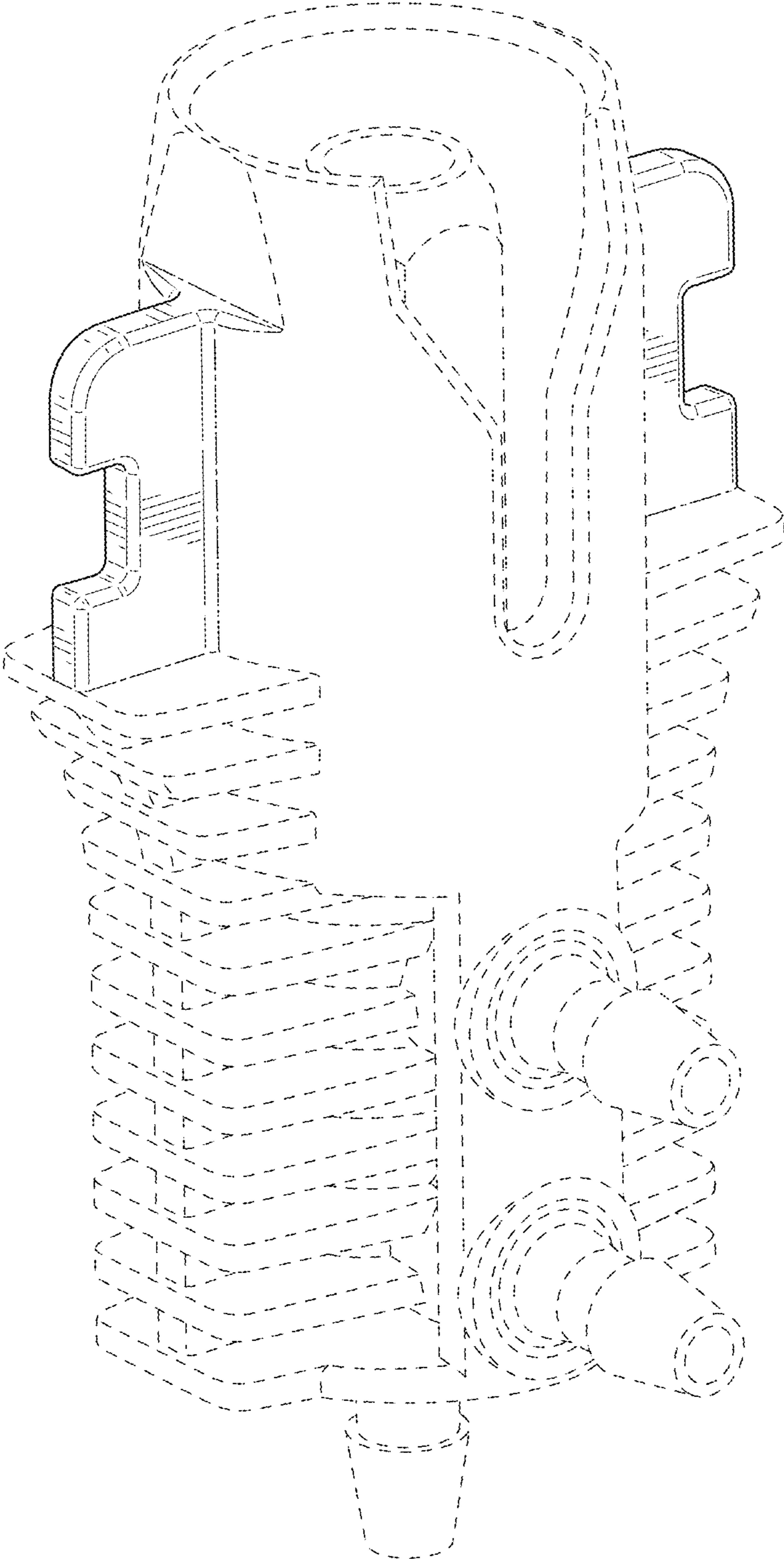


FIG. 1

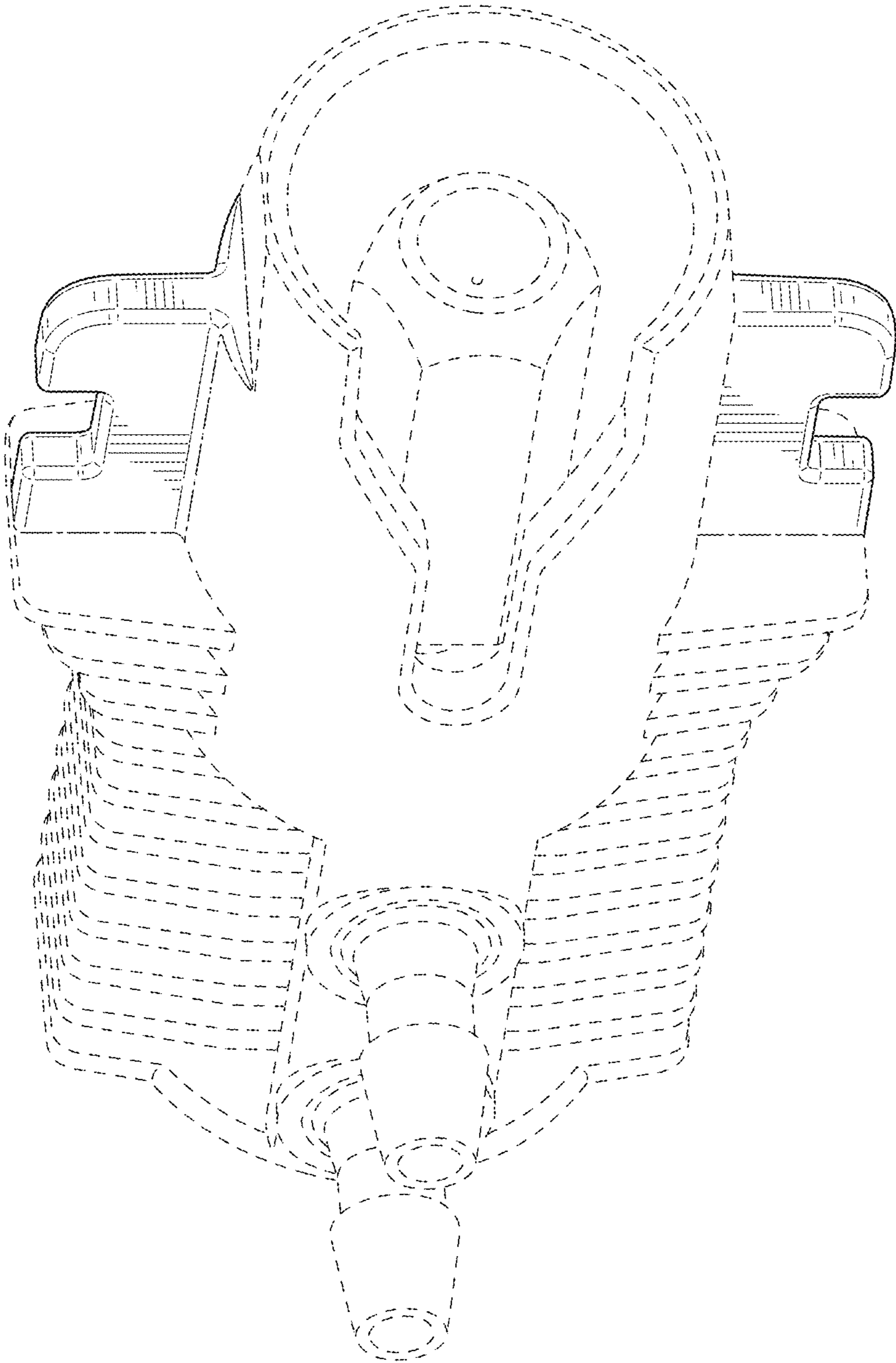


FIG. 2

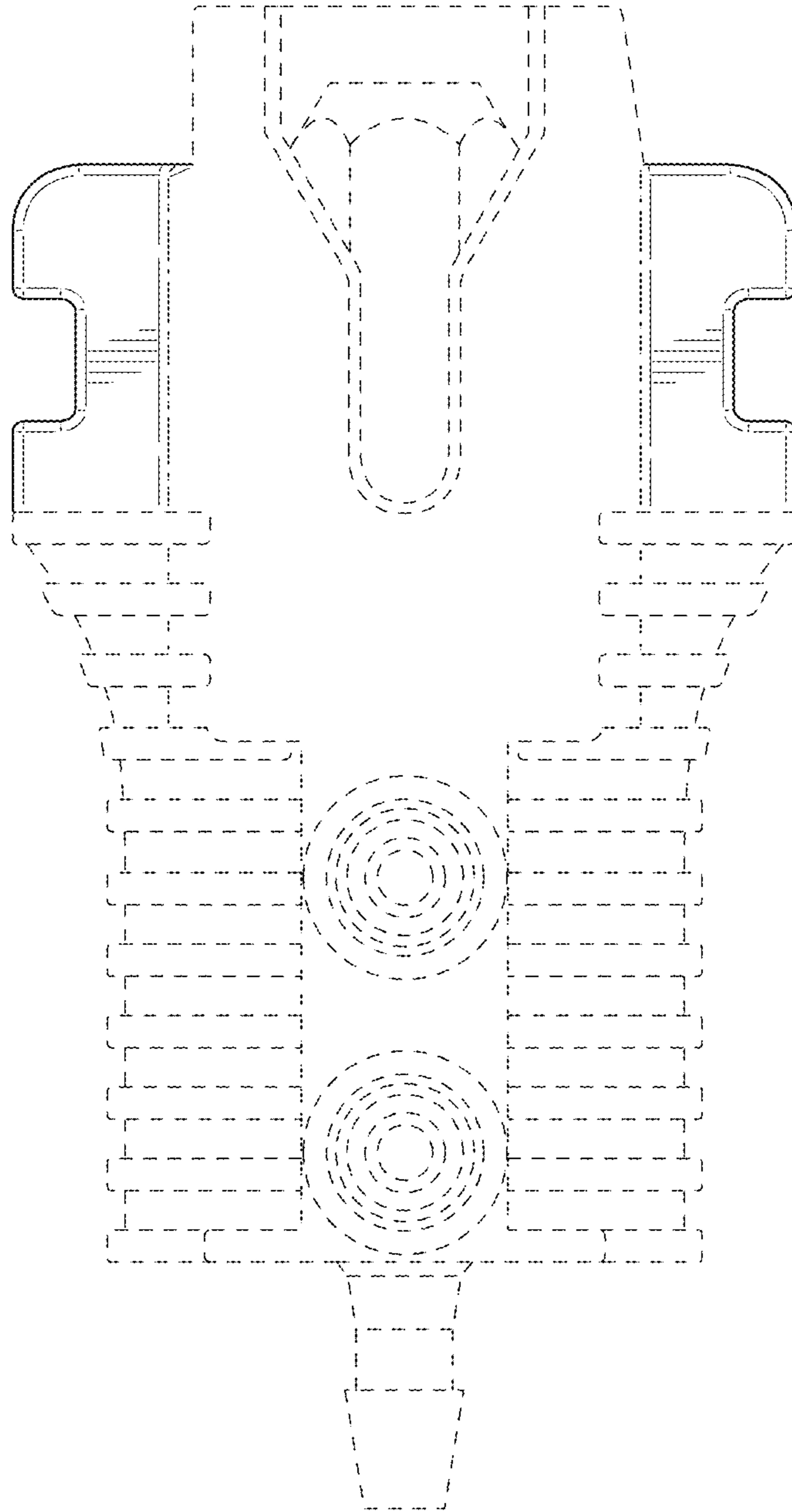


FIG. 3

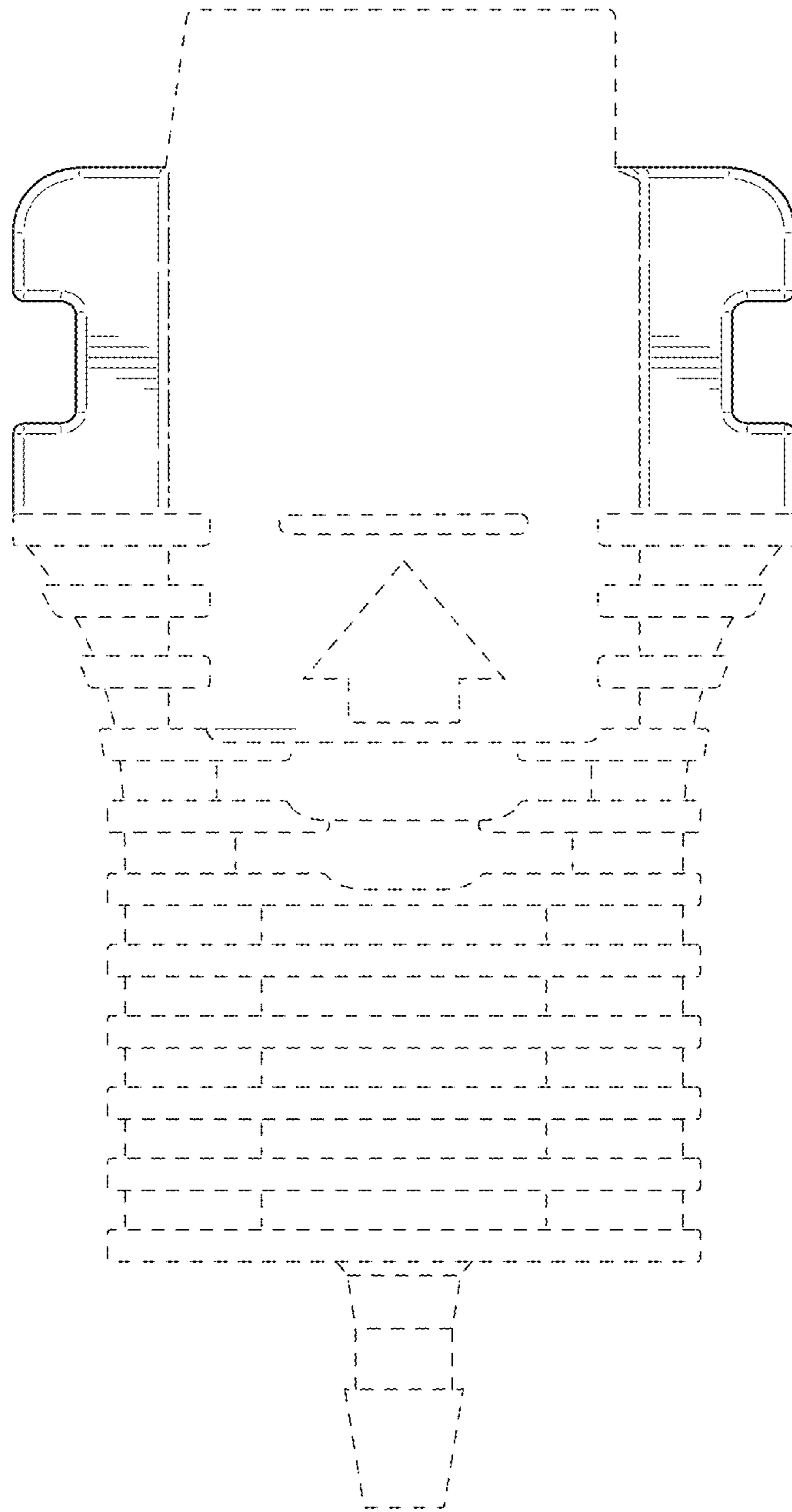


FIG. 4

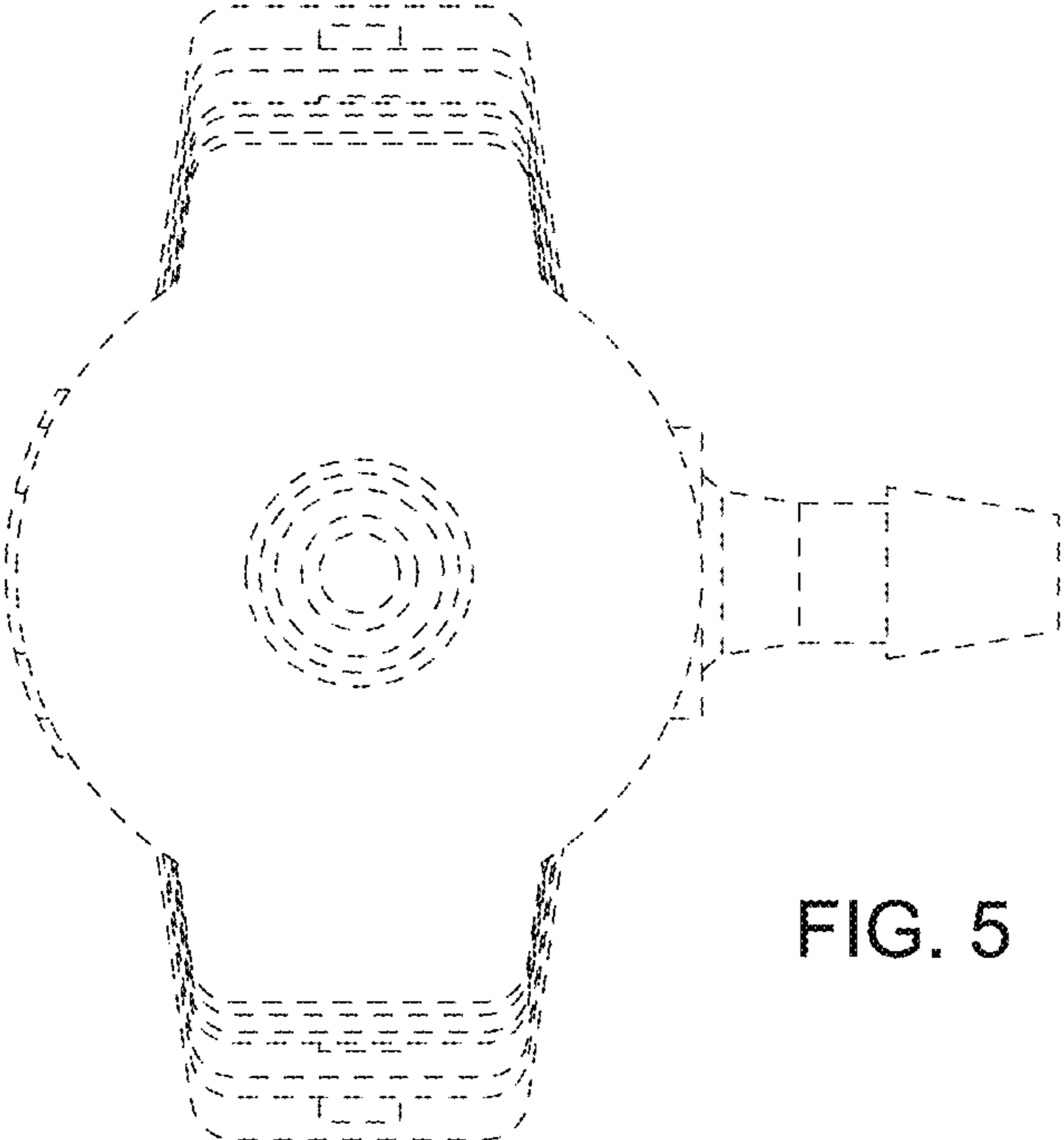


FIG. 5

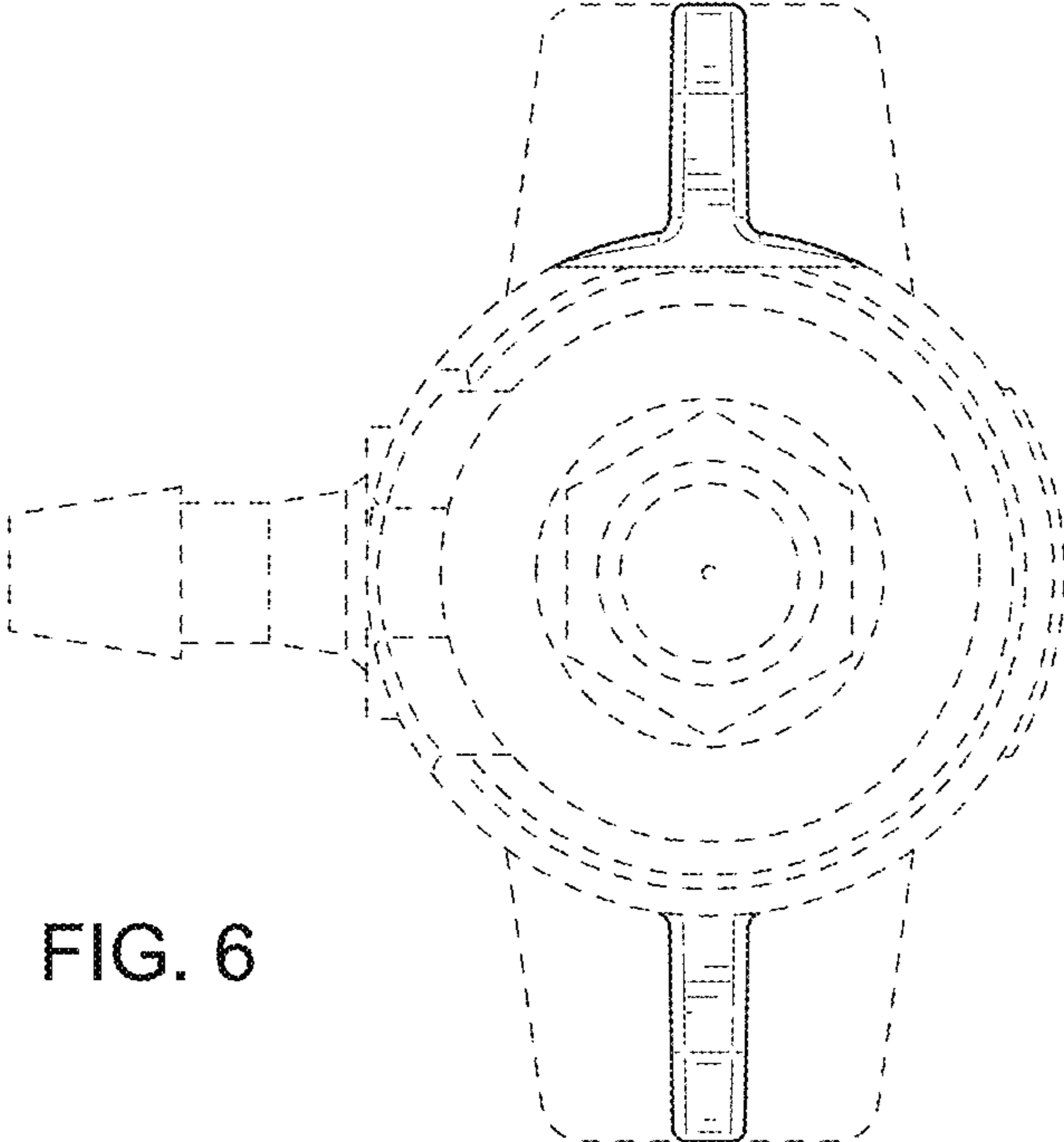


FIG. 6

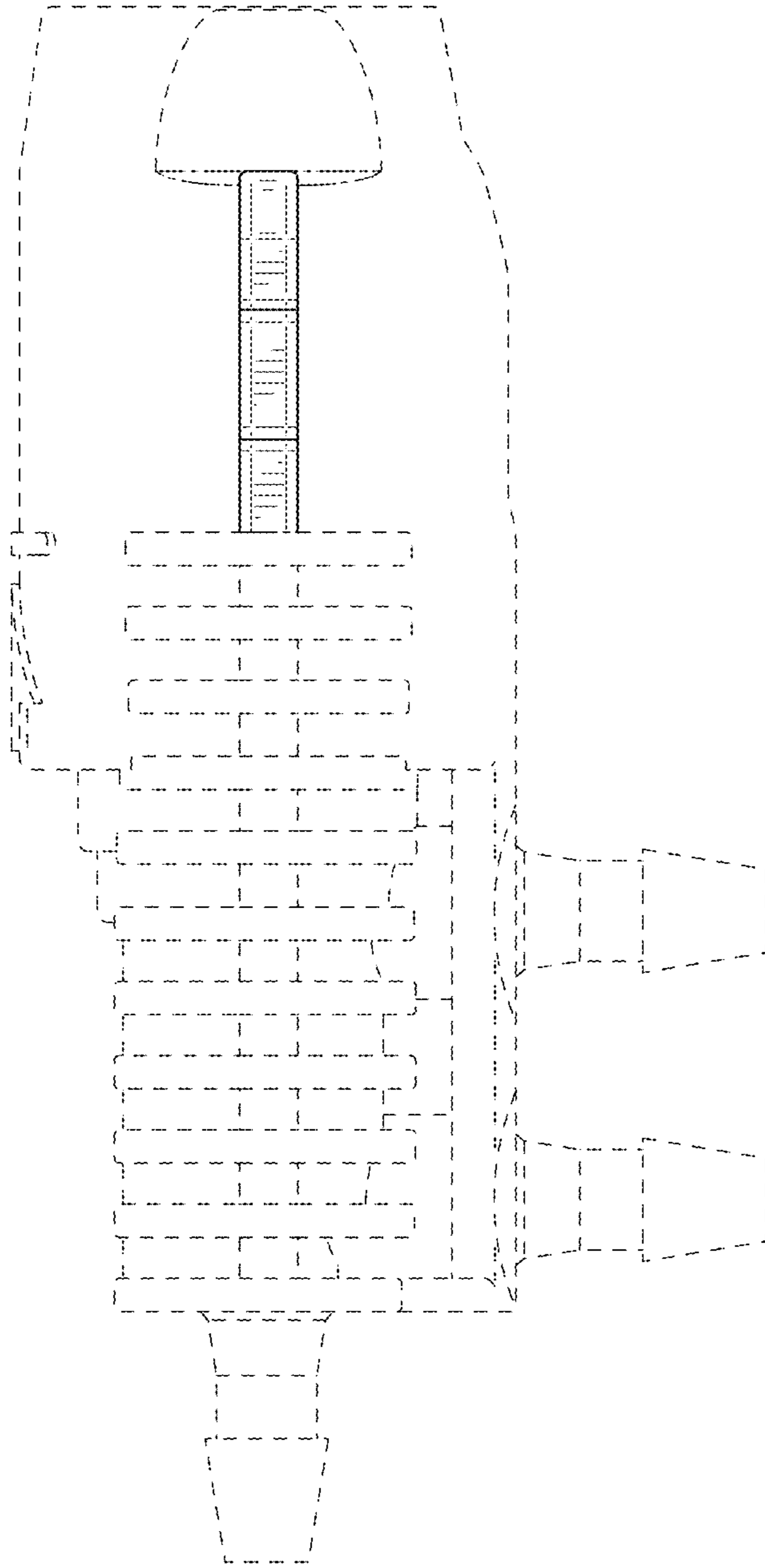


FIG. 7

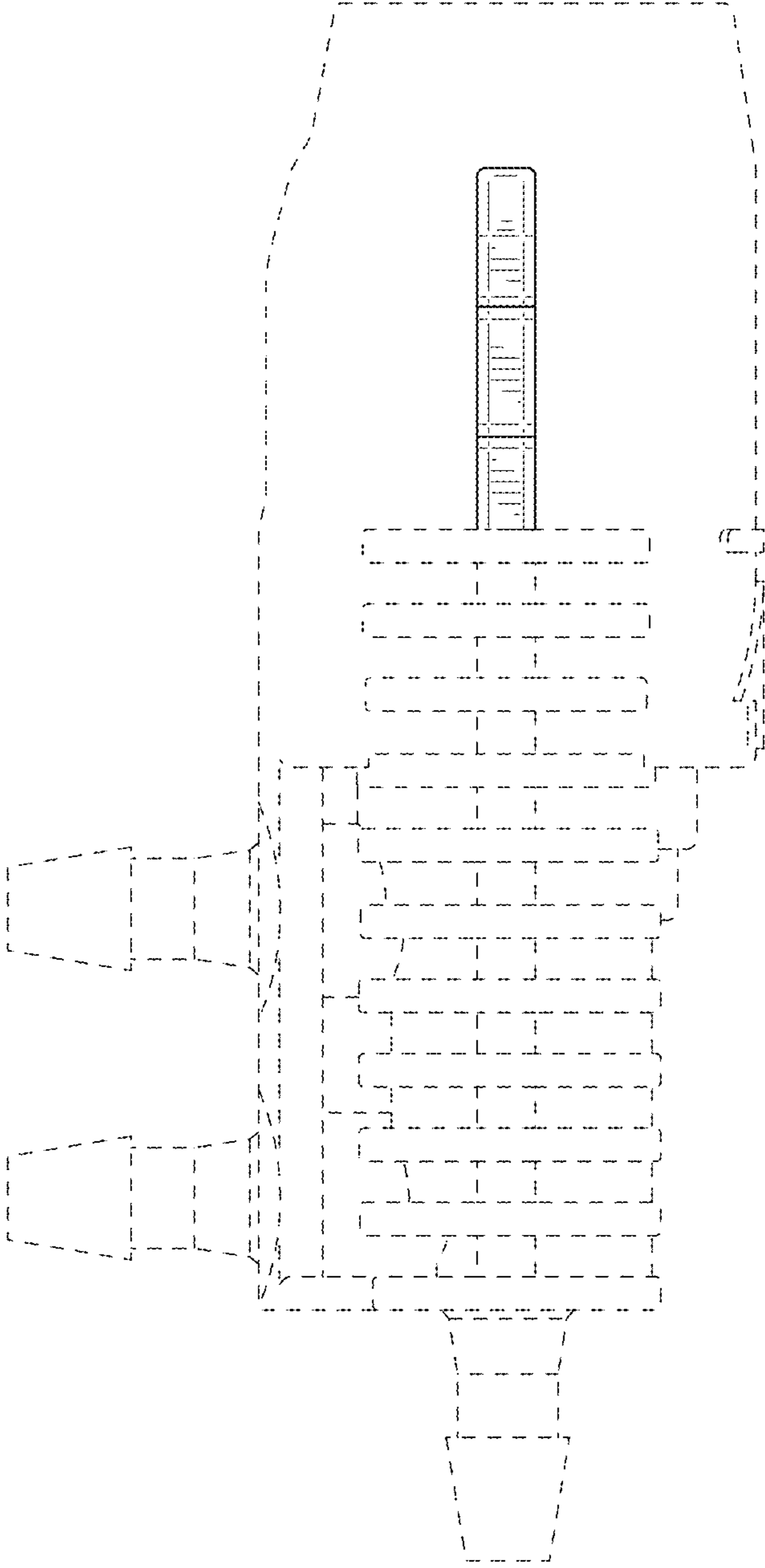


FIG. 8