



US00D823464S

(12) **United States Design Patent**
Fox

(10) **Patent No.:** **US D823,464 S**
(45) **Date of Patent:** **** Jul. 17, 2018**

(54) **DRAIN HOLDER**
(71) Applicant: **Cheryl A. Fox**, Traverse City, MI (US)
(72) Inventor: **Cheryl A. Fox**, Traverse City, MI (US)
(**) Term: **15 Years**
(21) Appl. No.: **29/620,523**
(22) Filed: **Feb. 1, 2017**
(51) **LOC (11) Cl.** **24-02**
(52) **U.S. Cl.**
USPC **D24/128**
(58) **Field of Classification Search**
USPC D24/127-131, 112, 186; 248/121, 125.1,
248/124.1, 129
CPC A61M 5/1415; A61M 2005/1416; A61M
5/1417; A61M 5/1418
See application file for complete search history.

6,790,201 B2 * 9/2004 Meyer A61M 25/02
224/257
D550,354 S * 9/2007 Raya D24/128
7,282,044 B2 * 10/2007 Hudson A45F 3/04
604/174
D716,941 S * 11/2014 Sterling D24/128
D718,438 S * 11/2014 Davis D24/128
8,944,299 B2 * 2/2015 Siew Kuang Choong
A61M 5/1411
224/148.2
2008/0294128 A1 11/2008 Richards
2009/0089913 A1 4/2009 Ehrlickman

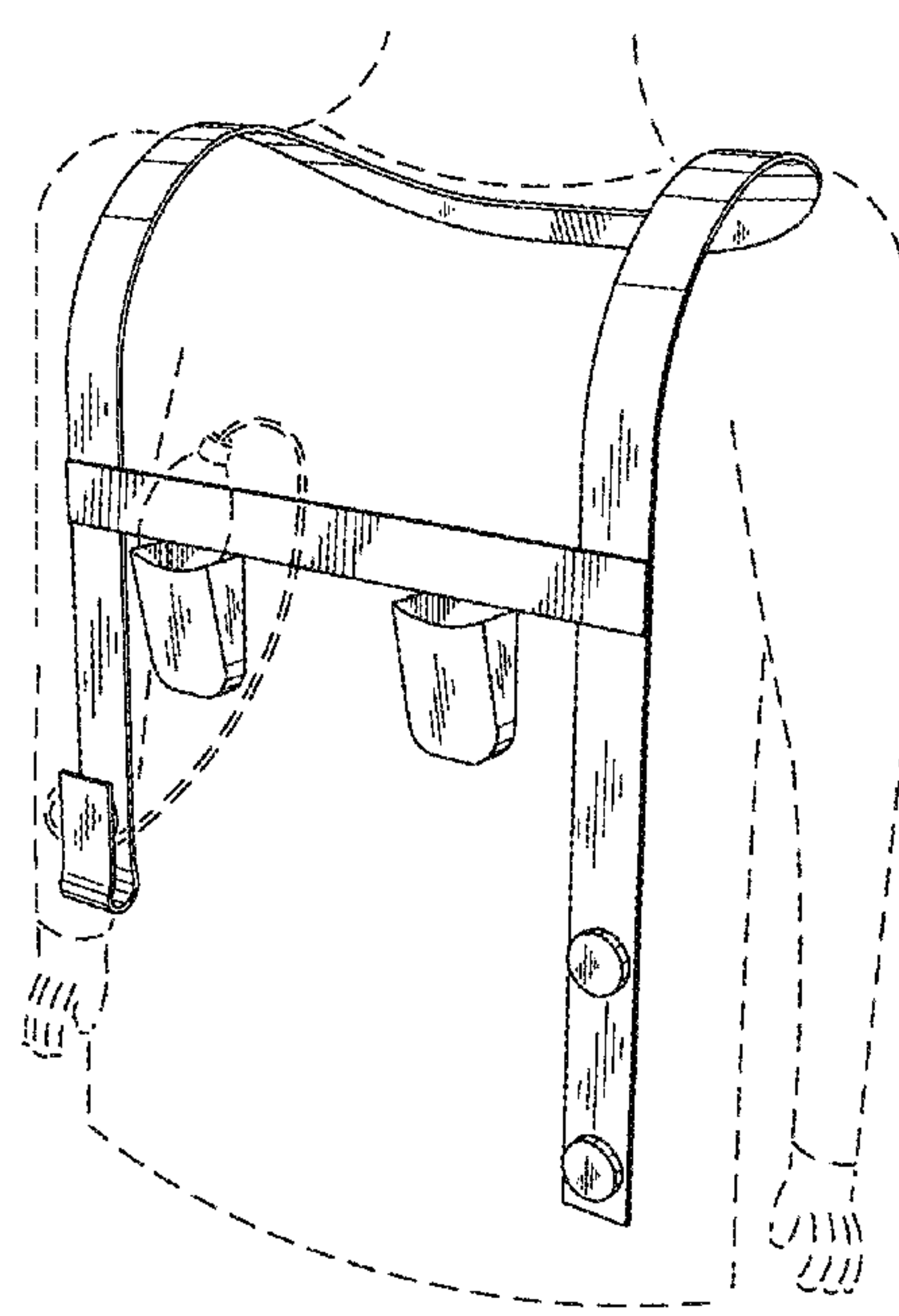
* cited by examiner
Primary Examiner — David Muller
(74) *Attorney, Agent, or Firm* — Paul R. Martin

(57) **CLAIM**
The ornamental design for a drain holder, as shown and described.

(56) **References Cited**
U.S. PATENT DOCUMENTS
2,723,665 A * 11/1955 Goldsmith A61M 5/1415
128/877
3,547,322 A * 12/1970 Dawson A61M 5/1415
224/148.2
4,666,432 A * 5/1987 McNeish A61M 25/02
128/DIG. 26
D380,547 S * 7/1997 Carlsen D24/105
5,676,294 A * 10/1997 Eklund A61M 5/1415
128/DIG. 6
5,755,698 A * 5/1998 Kagan A61M 25/02
128/DIG. 26
6,152,915 A 11/2000 Watson et al.
6,270,485 B1 8/2001 Ekey
D451,604 S * 12/2001 Kasabach D24/186

DESCRIPTION
FIG. 1 is a perspective view of the drain holder of my new design, showing it situated on the body of an individual with a body drainage container placed in a pocket thereof.
FIG. 2. is a front elevational view thereof.
FIG. 3 is a back elevational view thereof.
FIG. 4 is a right side elevational view thereof.
FIG. 5 is a left side elevational view thereof.
FIG. 6 is a bottom plan view thereof; and,
FIG. 7 is a top plan view thereof.
The broken line object in FIG. 1, showing an outline of a human chest, is environmental and forms no part of my new design.

1 Claim, 5 Drawing Sheets



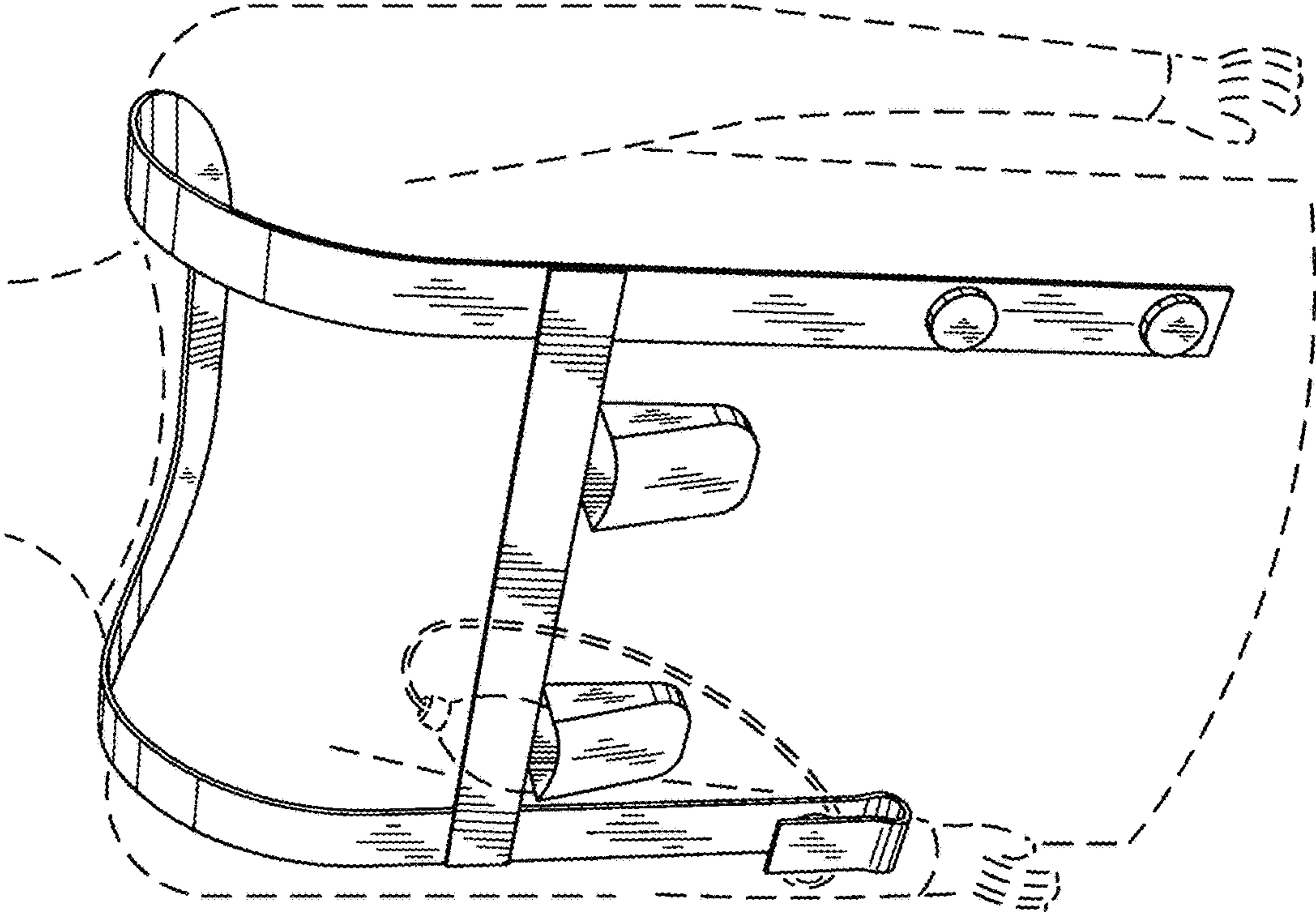


FIG. 1

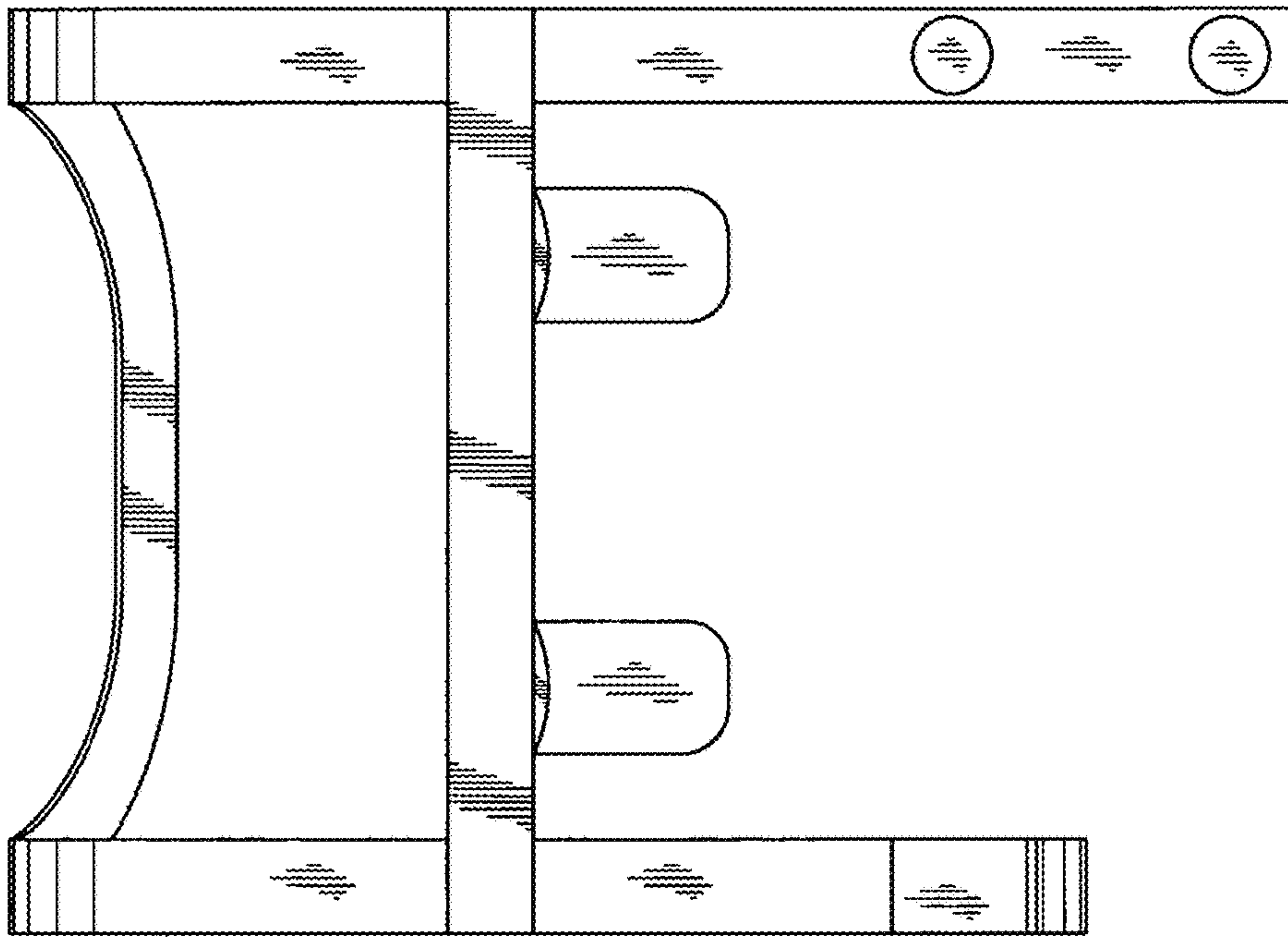


FIG. 2

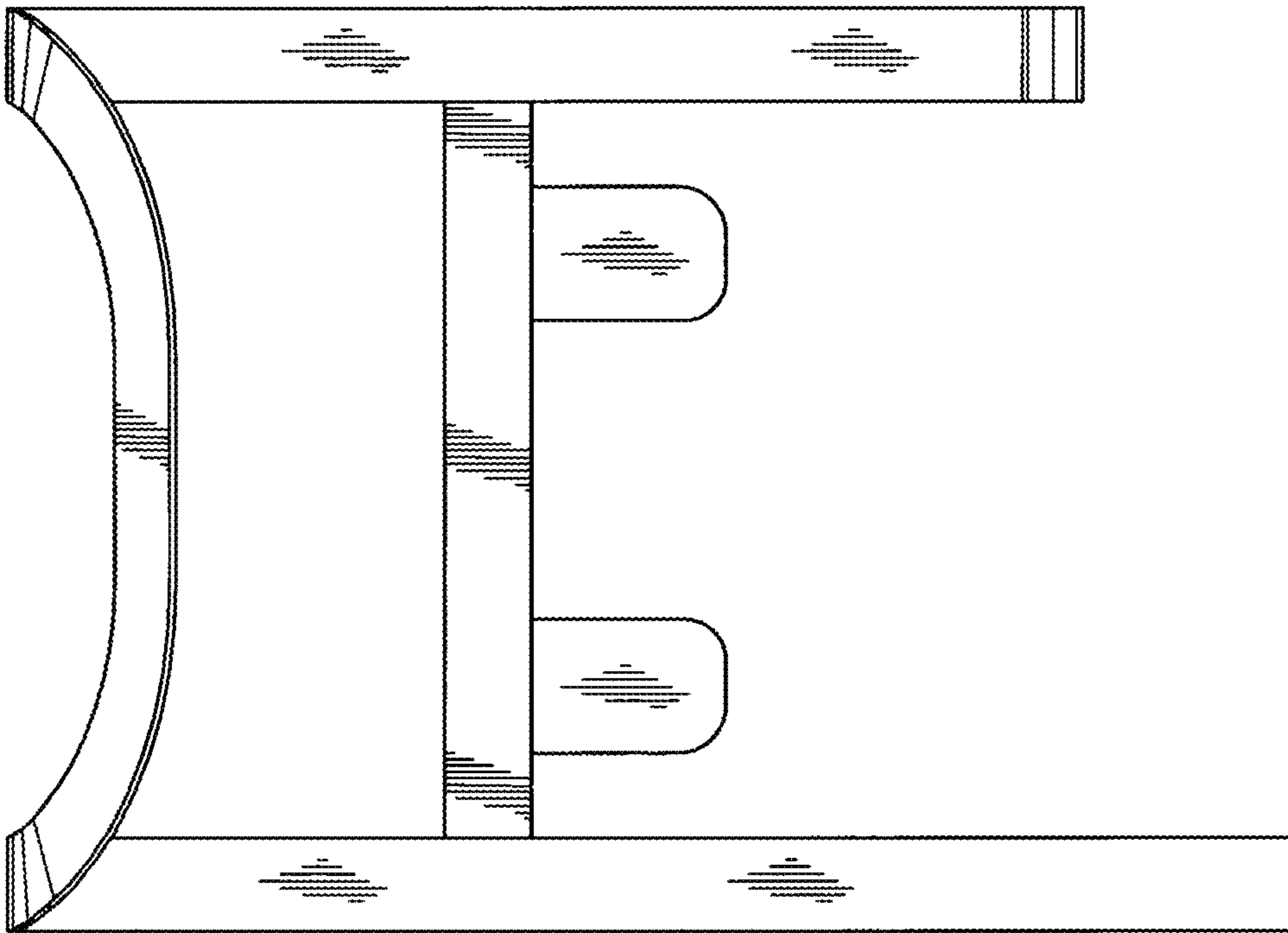


FIG. 3

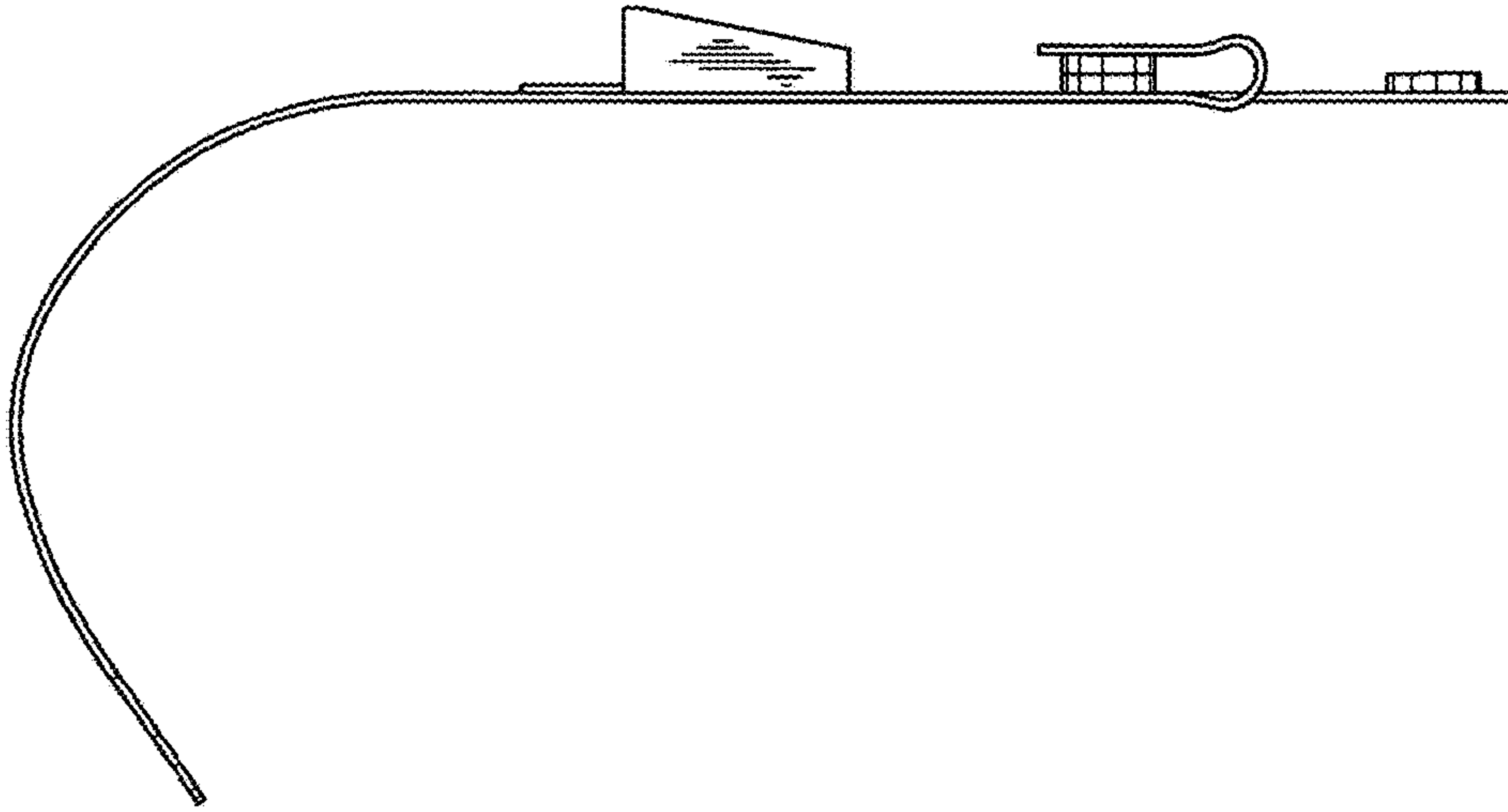


FIG. 5

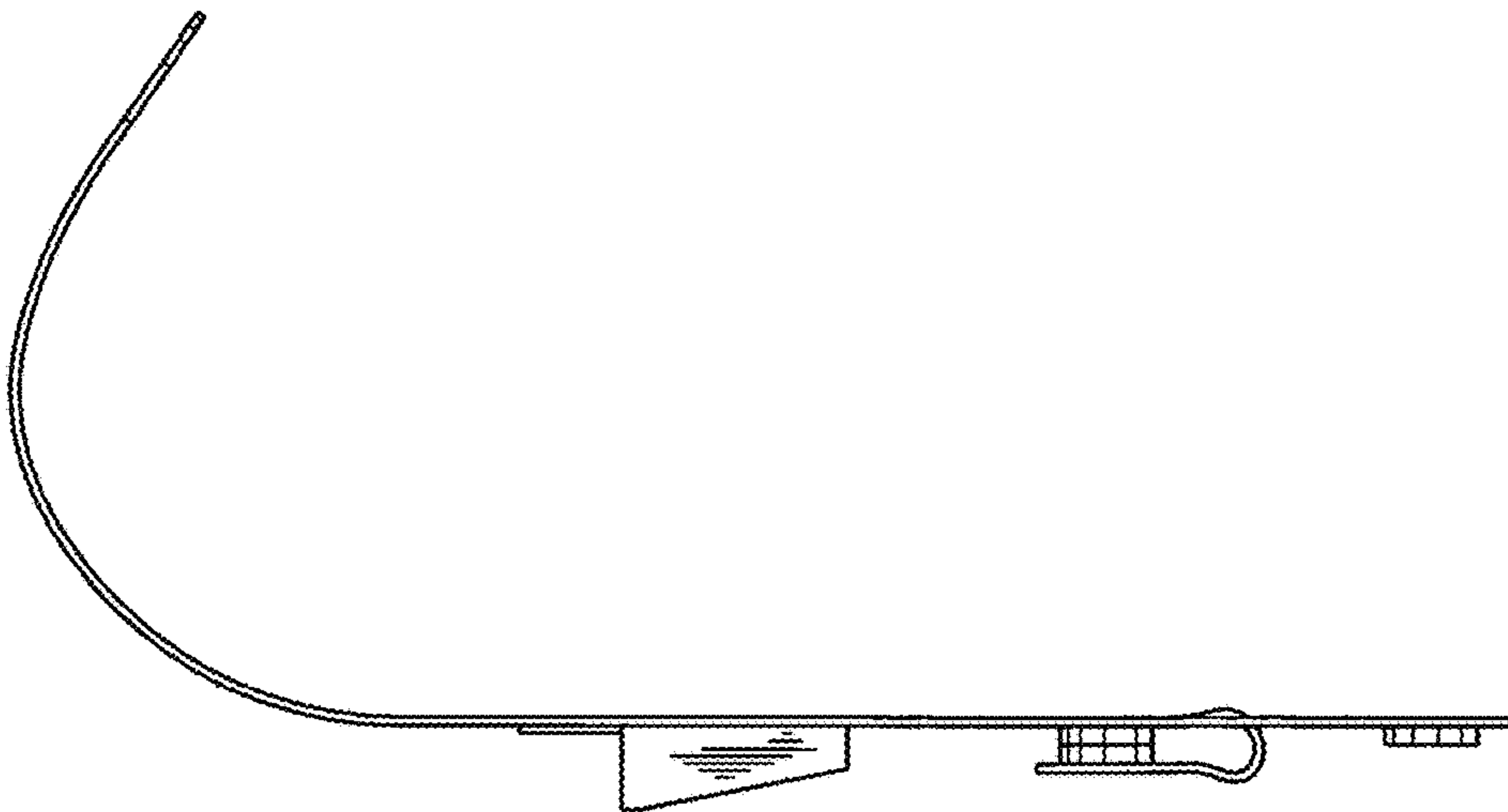


FIG. 4

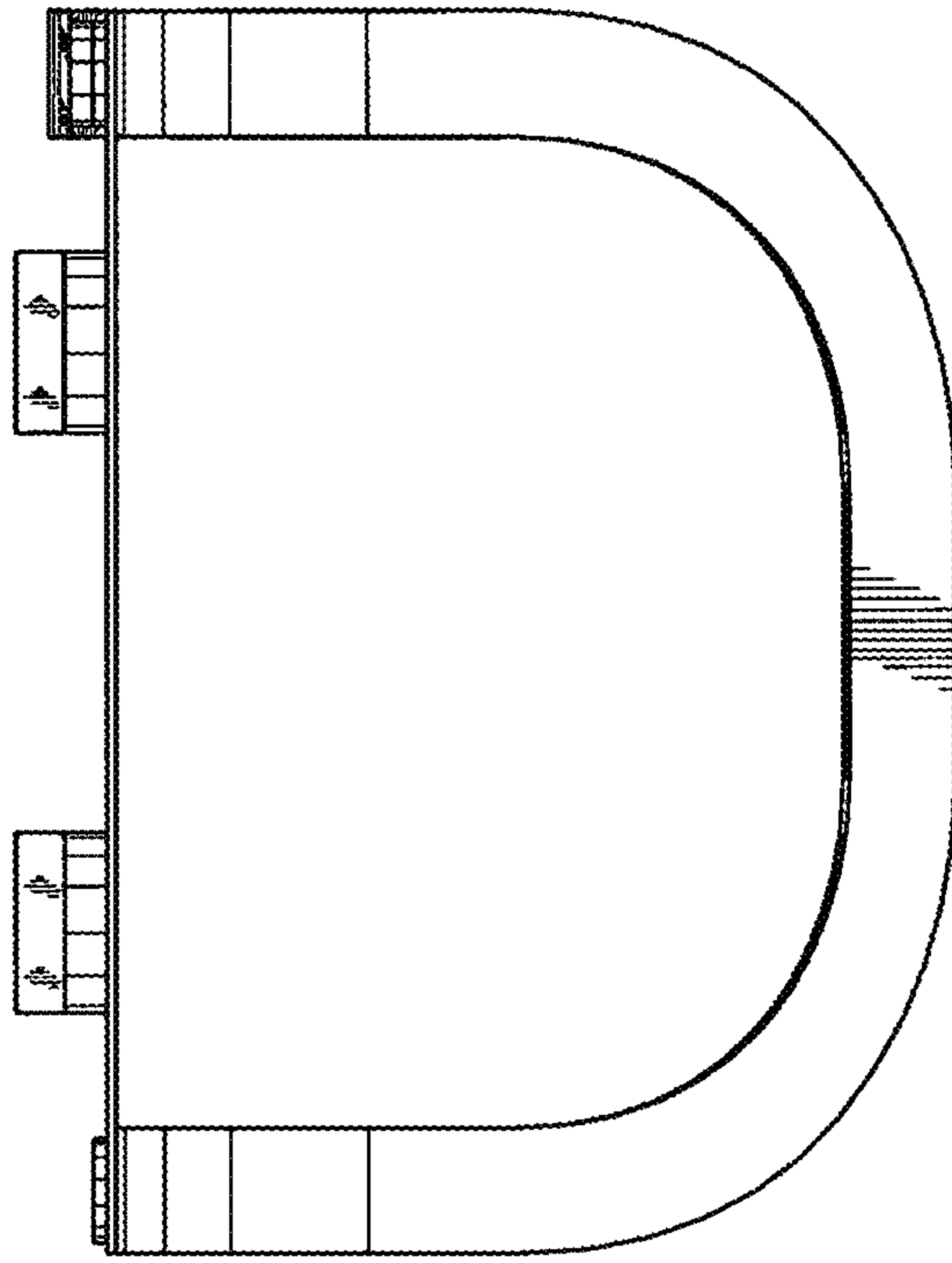


FIG. 6

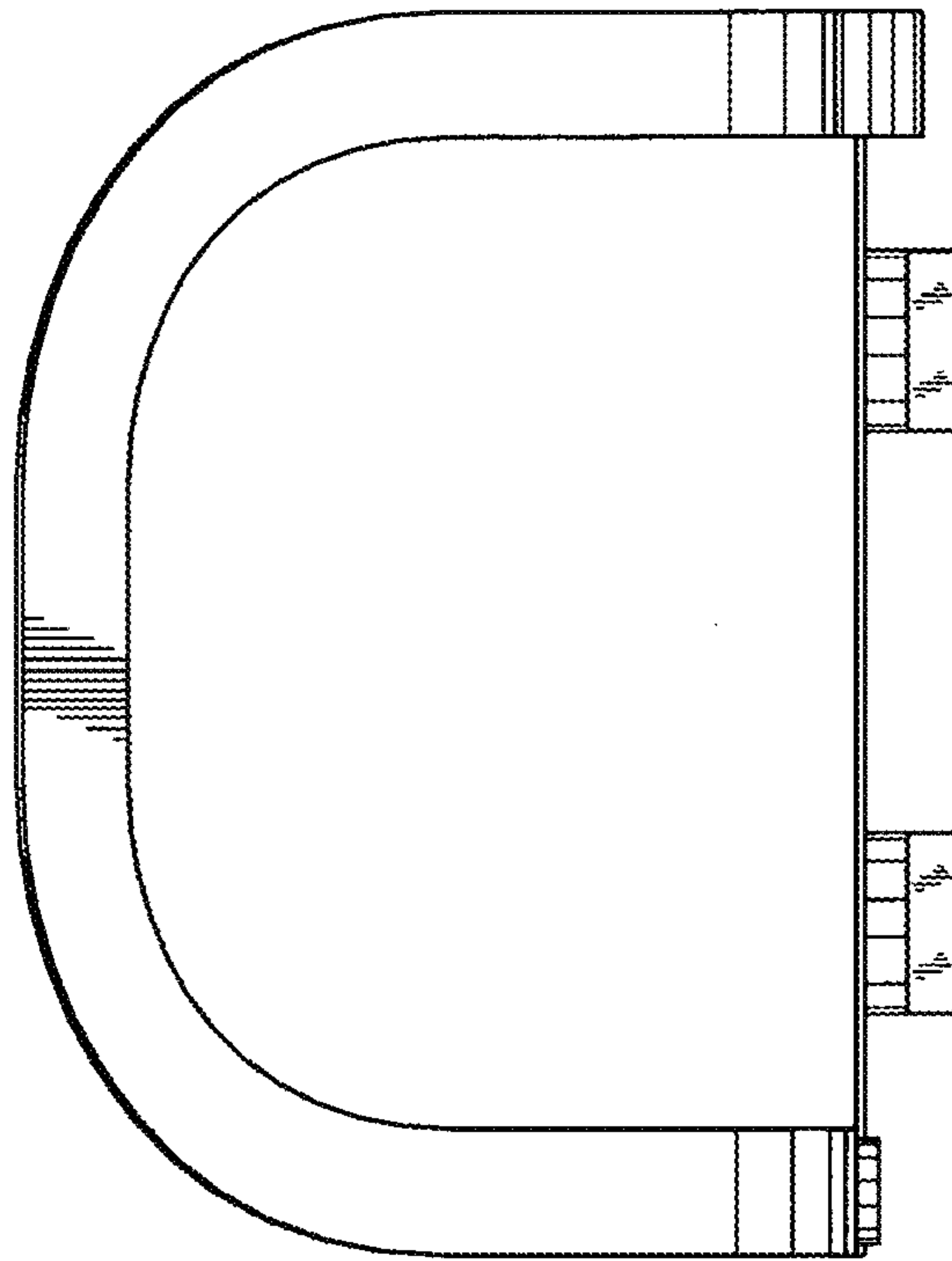


FIG. 7