



US00D823463S

(12) **United States Design Patent** (10) **Patent No.:** **US D823,463 S**
Shaw et al. (45) **Date of Patent:** **** Jul. 17, 2018**

(54) **FRONTAL ATTACHMENT FOR MEDICAL DEVICE**

(71) Applicants: **Retractable Technologies, Inc.**, Little Elm, TX (US); **Thomas J. Shaw**, Frisco, TX (US)

(72) Inventors: **Thomas J. Shaw**, Frisco, TX (US); **Mark Small**, Heavener, OK (US); **Ni Zhu**, Plano, TX (US)

(73) Assignee: **Retractable Technologies, Inc.**, Little Elm, TX (US)

(**) Term: **15 Years**

(21) Appl. No.: **29/570,114**

(22) Filed: **Jul. 5, 2016**

Related U.S. Application Data

(63) Continuation-in-part of application No. 14/020,465, filed on Sep. 6, 2013, which is a continuation-in-part (Continued)

(51) **LOC (11) Cl.** **24-02**

(52) **U.S. Cl.**
USPC **D24/127**

(58) **Field of Classification Search**
USPC D24/112–114, 108, 133, 130, 127, 186;
606/181, 185; 604/264, 272, 187, 181,
604/184, 227

(Continued)

(56) **References Cited**

U.S. PATENT DOCUMENTS

4,466,446 A 8/1984 Baidwan et al.
4,747,831 A 5/1988 Kulli
(Continued)

FOREIGN PATENT DOCUMENTS

CN 1155846 7/1995
EP 0479303 8/1992
EP 1161962 12/2001

Primary Examiner — David Muller

(74) *Attorney, Agent, or Firm* — Ross Barnes LLP; Monty L. Ross

(57) **CLAIM**

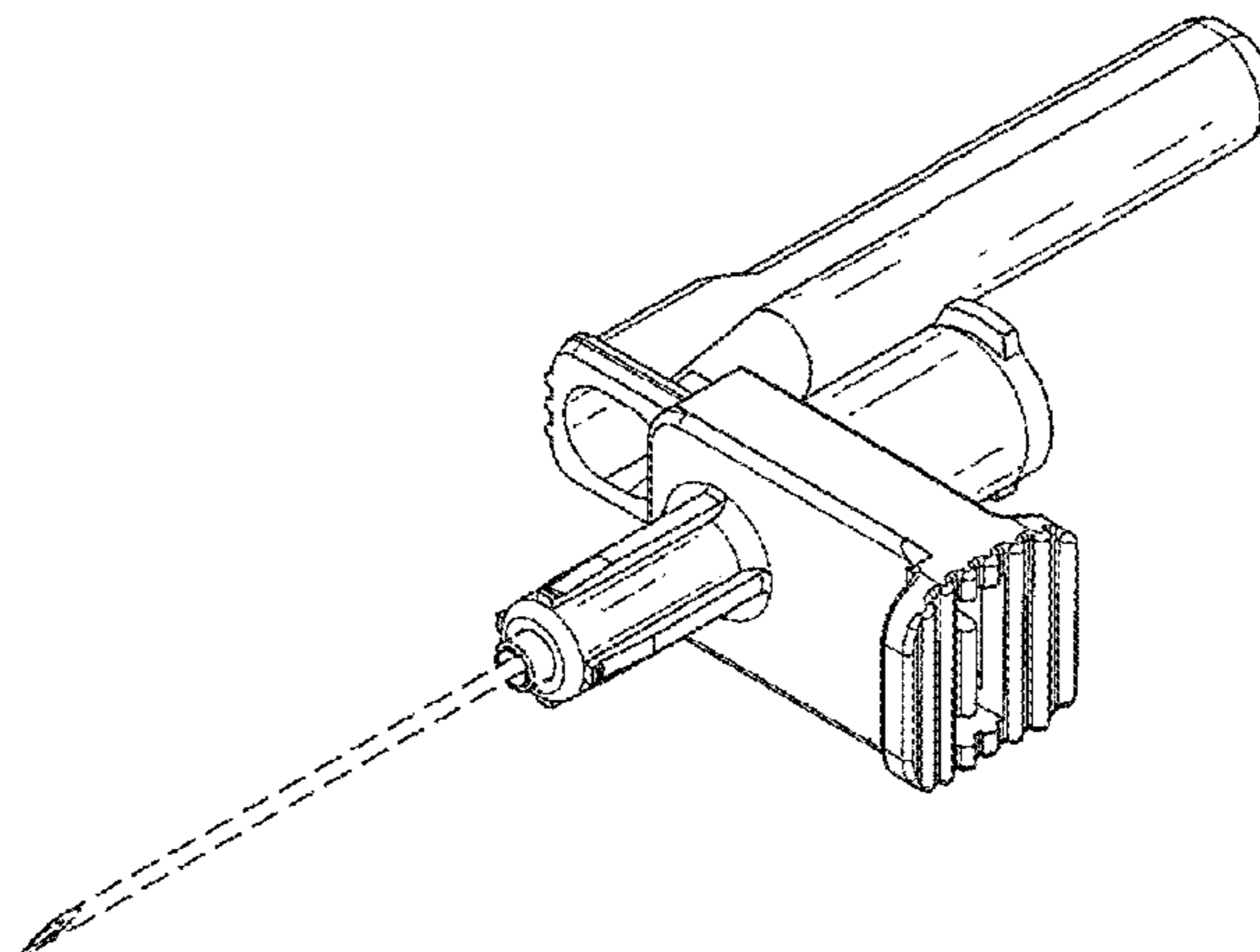
We claim the ornamental design for a frontal attachment for a medical device, as shown and described.

DESCRIPTION

FIG. 1 is a right front perspective view of a frontal attachment for a medical device when the frontal attachment is disposed in a first position, with a forwardly projecting needle shown in phantom outline;
 FIG. 2 is a left front perspective view thereof;
 FIG. 3 is a front elevation view thereof;
 FIG. 4 is a rear elevation view thereof;
 FIG. 5 is right side elevation view thereof;
 FIG. 6 is a left side elevation view thereof;
 FIG. 7 is a top plan view thereof;
 FIG. 8 is a bottom plan view thereof;
 FIG. 9 is a right front perspective view of the frontal attachment of FIG. 1 when the frontal attachment is disposed in a second position and the needle previously shown in phantom outline is not visible;
 FIG. 10 is left front perspective view of the frontal attachment positioned as in FIG. 9;
 FIG. 11 a front elevation view of the frontal attachment positioned as in FIG. 9;
 FIG. 12 is a rear elevation view of the frontal attachment positioned as in FIG. 9;
 FIG. 13 is a right side elevation view of the frontal attachment positioned as in FIG. 9;
 FIG. 14 is left side elevation view of the frontal attachment positioned as in FIG. 9;
 FIG. 15 is a top plan view of the frontal attachment positioned as in FIG. 9; and,
 FIG. 16 is a bottom plan view of the frontal attachment positioned as in FIG. 9.

The broken line showing of parts of the drawings is included for the purpose of illustrating use and environment and forms no part of the claimed design.

1 Claim, 8 Drawing Sheets



Related U.S. Application Data

of application No. 13/714,819, filed on Dec. 14, 2012, now Pat. No. 9,138,545.

(58) **Field of Classification Search**

CPC A61M 5/178; A61M 3/00; A61M 5/20; A61M 5/31; A61M 5/3146; A61M 5/3148; A61M 5/3129; A61M 5/315

See application file for complete search history.

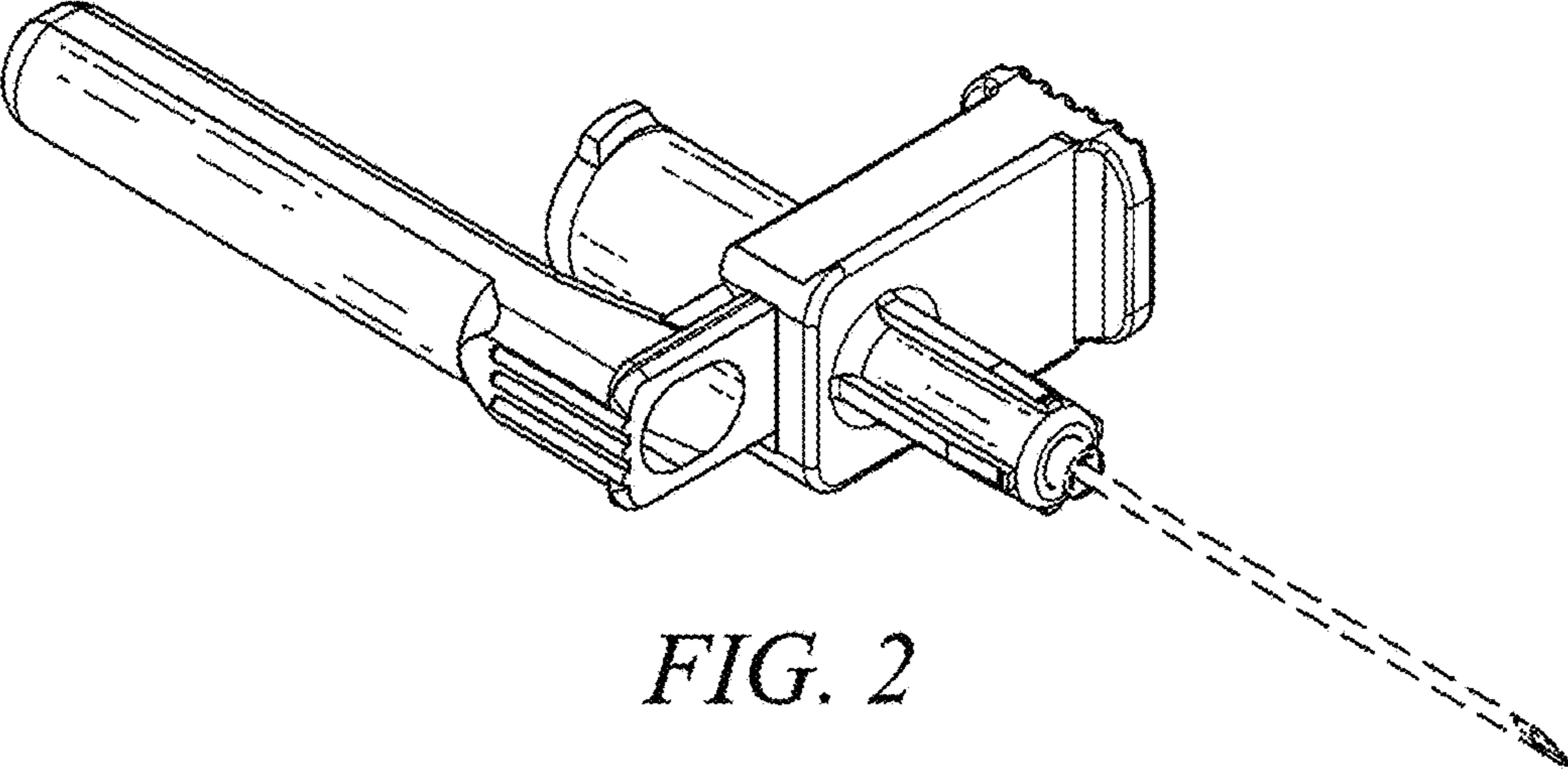
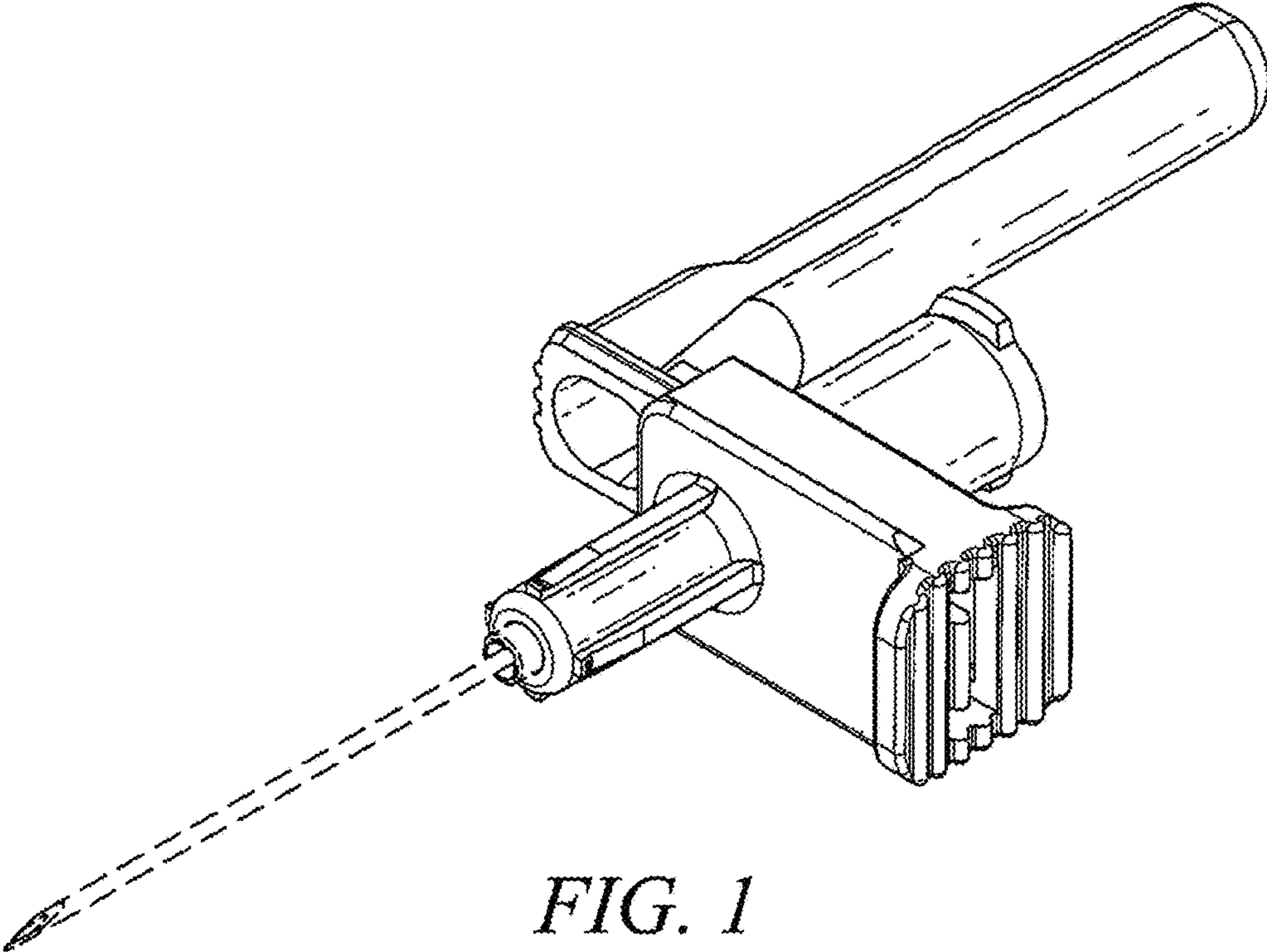
(56) **References Cited**

U.S. PATENT DOCUMENTS

4,813,426 A 3/1989 Haber et al.
 4,813,935 A 3/1989 Haber et al.
 4,941,883 A 7/1990 Venturini
 4,973,316 A 11/1990 Dysarz
 5,163,918 A 11/1992 Sunderland
 5,263,942 A 11/1993 Smedley et al.
 5,298,023 A 3/1994 Haber et al.
 5,312,351 A * 5/1994 Gerrone A61B 17/3417
 604/117
 5,370,628 A 12/1994 Allison et al.
 5,395,337 A 3/1995 Clemens et al.
 5,423,758 A 6/1995 Shaw
 5,445,618 A 8/1995 Adobbati
 5,503,010 A 4/1996 Yamanaka
 5,573,510 A 11/1996 Isaacson
 5,685,863 A 11/1997 Botich et al.
 5,704,920 A 1/1998 Gyure
 5,728,073 A 3/1998 Whisson
 5,779,679 A 7/1998 Shaw
 5,795,339 A 8/1998 Erskine
 5,830,152 A * 11/1998 Tao A61B 10/0233
 600/562
 5,957,887 A 9/1999 Osterlind et al.
 5,964,731 A 10/1999 Kovelman
 6,039,713 A 3/2000 Botich et al.
 6,063,040 A 5/2000 Owen et al.
 D439,975 S * 4/2001 Wilkinson D24/130
 6,210,371 B1 4/2001 Shaw
 6,277,102 B1 8/2001 Carilli
 6,468,250 B2 10/2002 Yang
 6,794,423 B1 9/2004 Li
 6,808,512 B1 10/2004 Lin et al.
 7,351,224 B1 4/2008 Shaw
 D613,398 S * 4/2010 Crawford D24/130

D645,962 S * 9/2011 Shaw D24/130
 D660,420 S * 5/2012 Shaw D24/130
 D663,833 S * 7/2012 Ahn D24/114
 8,292,852 B2 10/2012 Mulholland
 8,343,094 B2 1/2013 Shaw
 9,125,600 B2 * 9/2015 Steube A61B 5/1411
 D748,243 S * 1/2016 Perthu D24/113
 D748,246 S * 1/2016 Perthu D24/114
 D756,507 S * 5/2016 Perthu D24/114
 9,352,096 B2 * 5/2016 Felsovalyi A61M 5/3137
 D766,426 S * 9/2016 Hamann D24/114
 2001/0021827 A1 9/2001 Ferguson et al.
 2002/0062560 A1 6/2002 Yang
 2002/0068907 A1 6/2002 Dysarz
 2003/0078540 A1 4/2003 Saulenas et al.
 2003/0171695 A1 9/2003 Zurcher
 2003/0181871 A1 9/2003 Wilkinson et al.
 2003/0236504 A1 12/2003 Chen
 2004/0015135 A1 1/2004 Wilkinson
 2004/0019329 A1 1/2004 Erskine
 2004/0133172 A1 7/2004 Wilkinson
 2004/0204688 A1 10/2004 Lin et al.
 2005/0004524 A1 1/2005 Newby et al.
 2005/0288607 A1 12/2005 Konrad
 2006/0155244 A1 7/2006 Popov
 2006/0189934 A1 8/2006 Kuracina et al.
 2006/0235354 A1 10/2006 Kaal et al.
 2007/0260189 A1 11/2007 Shaw et al.
 2008/0132851 A1 6/2008 Shaw et al.
 2008/0132854 A1 6/2008 Sharp
 2008/0287881 A1 11/2008 Kiehne
 2008/0319345 A1 12/2008 Swenson
 2009/0198196 A1 8/2009 West et al.
 2009/0306601 A1 12/2009 Shaw et al.
 2010/0000040 A1 1/2010 Shaw et al.
 2010/0003067 A1 1/2010 Shaw et al.
 2010/0241029 A1 9/2010 Mahurkar
 2010/0286604 A1 11/2010 Shaw
 2010/0317999 A1 12/2010 Shaw et al.
 2011/0264037 A1 10/2011 Foshee et al.
 2012/0022464 A1 1/2012 Zivkovic et al.
 2012/0071790 A1 3/2012 Mahurkar
 2012/0071827 A1 3/2012 Zivkovic et al.
 2012/0078225 A1 3/2012 Zivkovic et al.
 2012/0226232 A1 9/2012 Shaw et al.
 2012/0259243 A1 10/2012 Shaw et al.
 2012/0316466 A1 12/2012 Crawford et al.

* cited by examiner



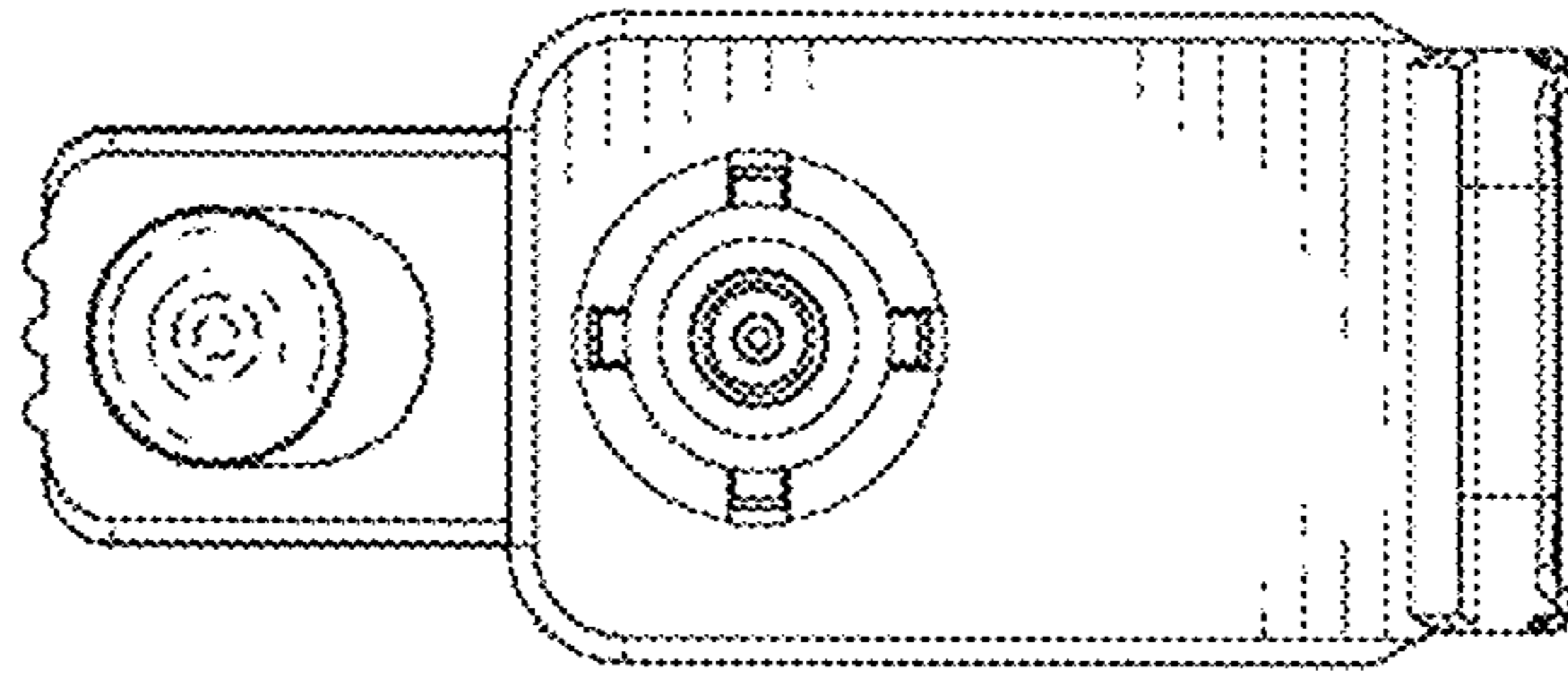


FIG. 3

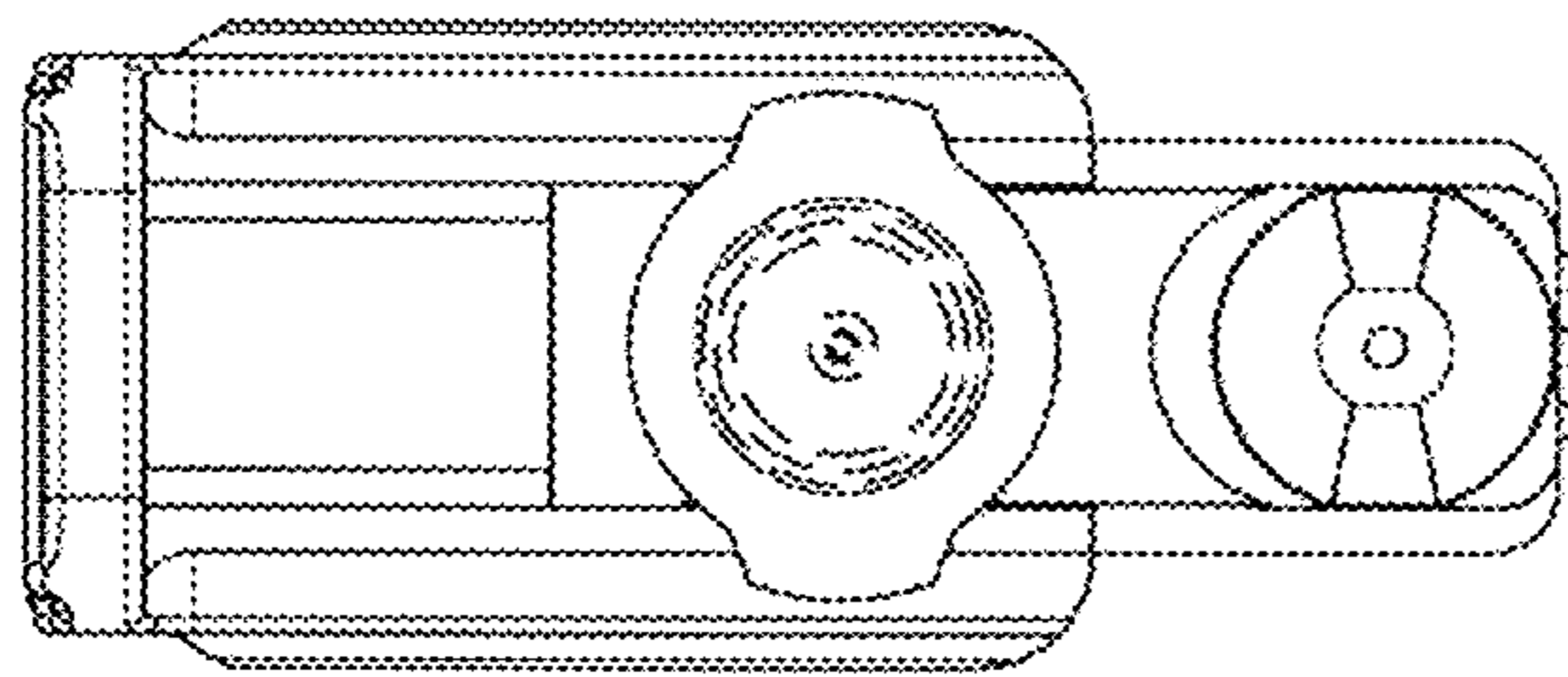


FIG. 4

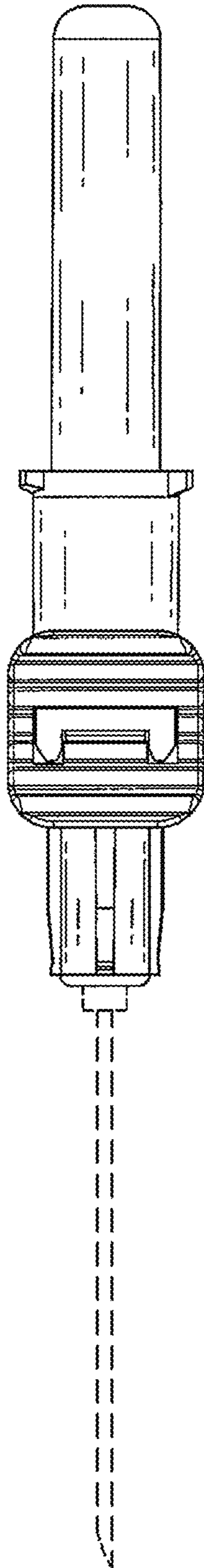


FIG. 5

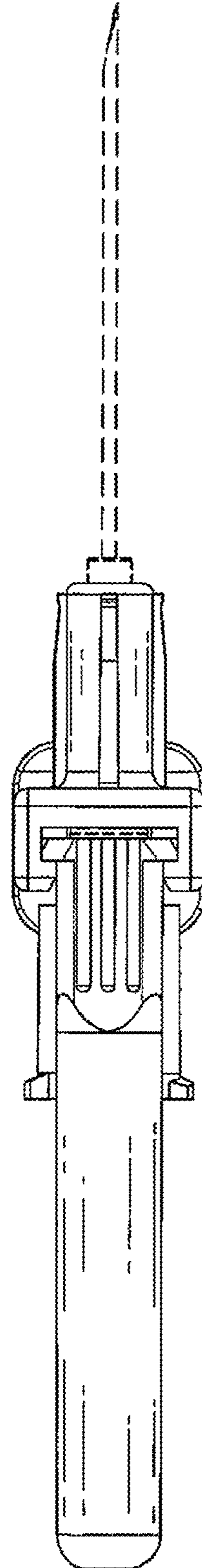


FIG. 6

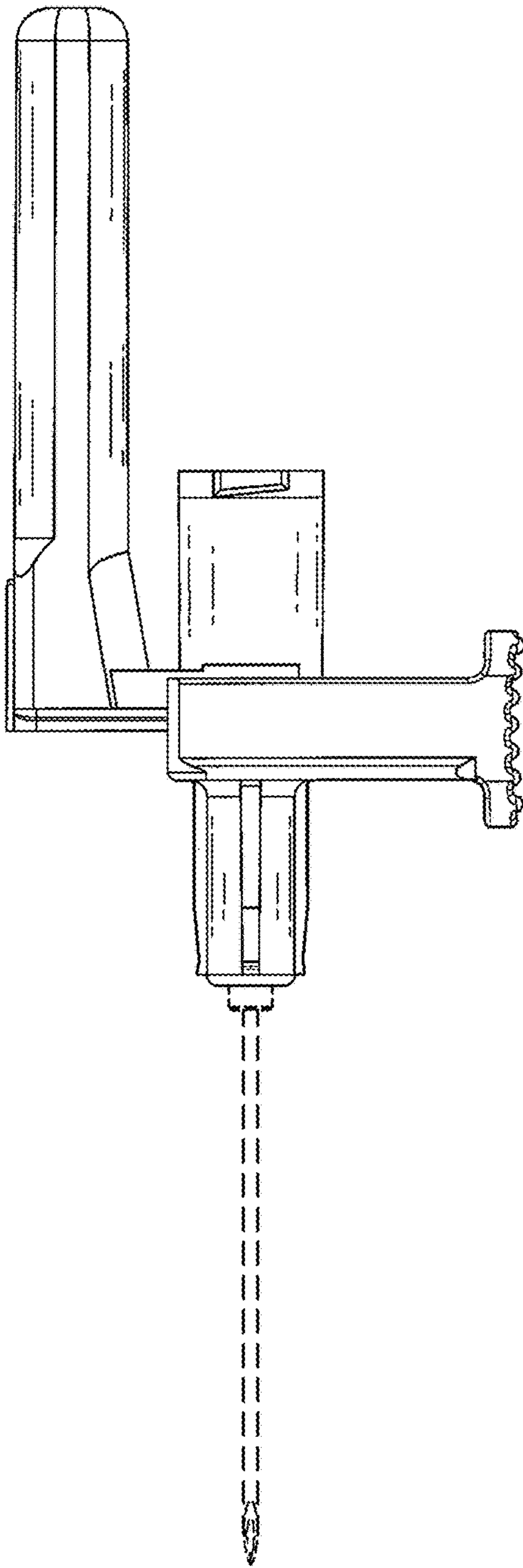


FIG. 7

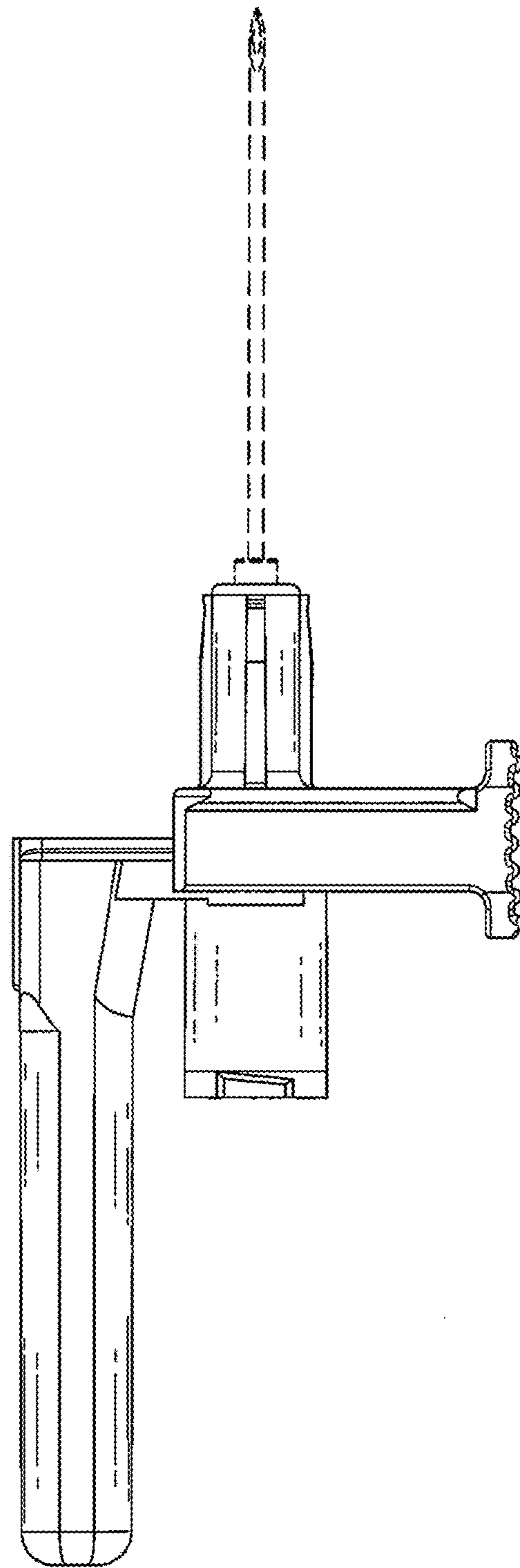


FIG. 8

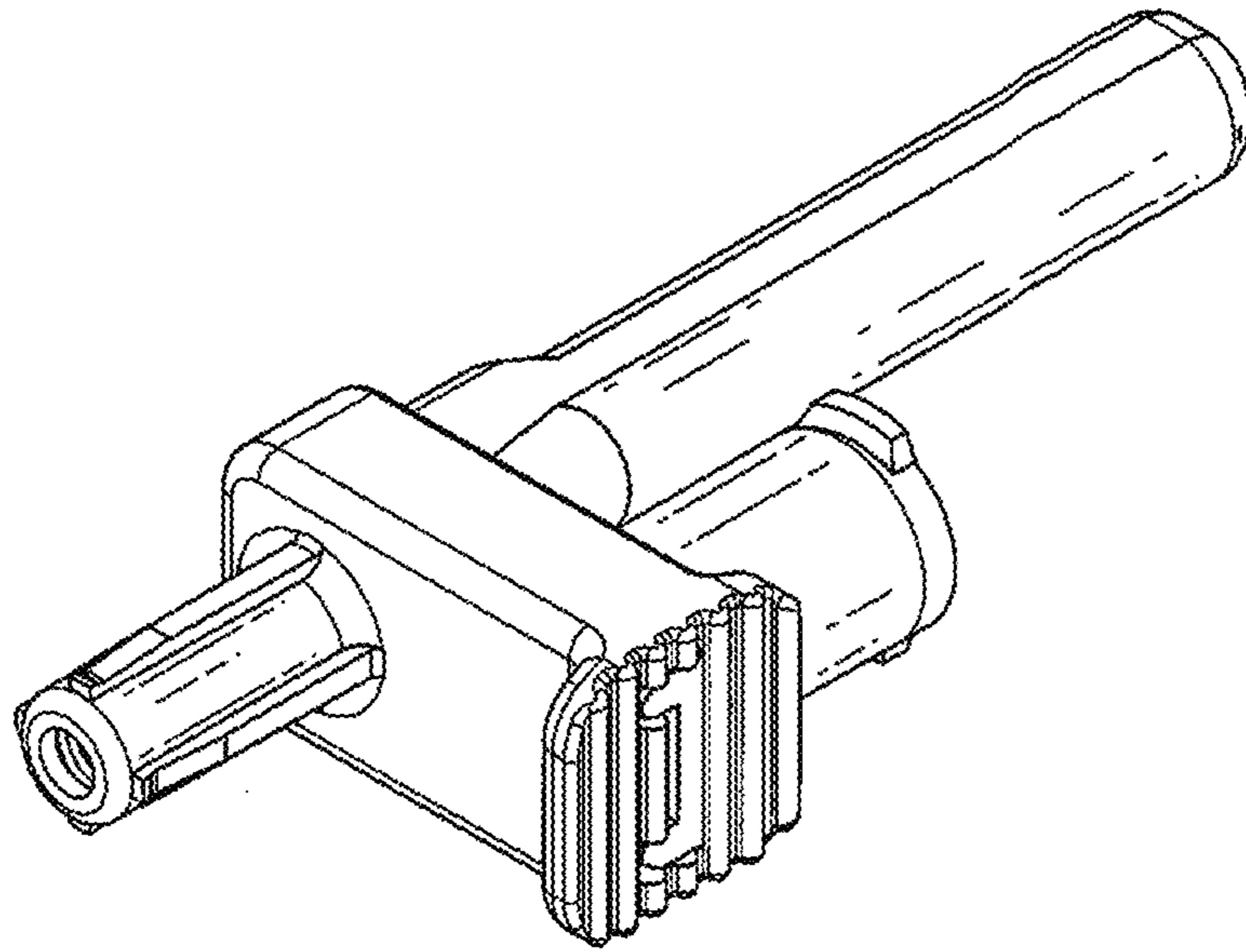


FIG. 9

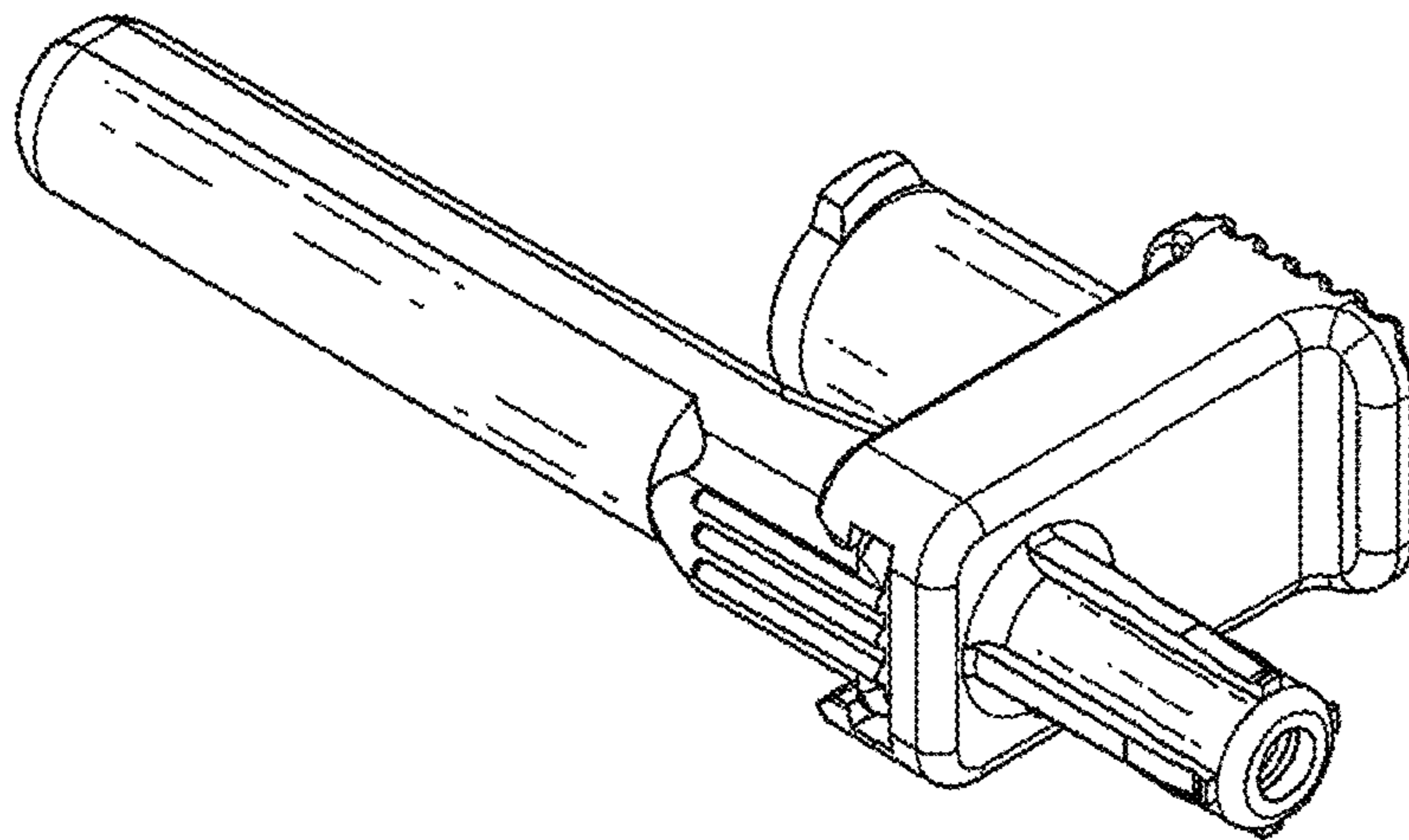


FIG. 10

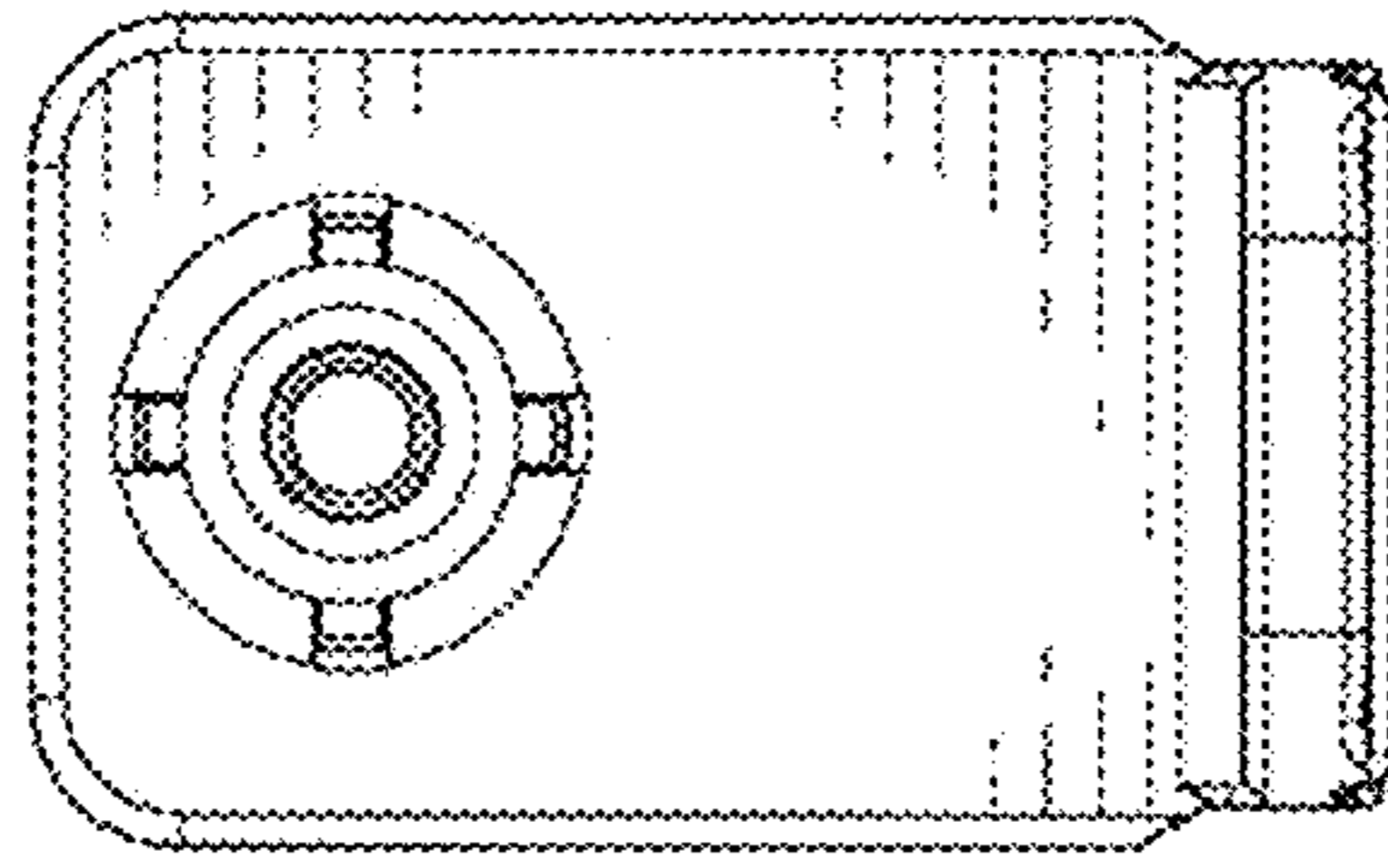


FIG. 11

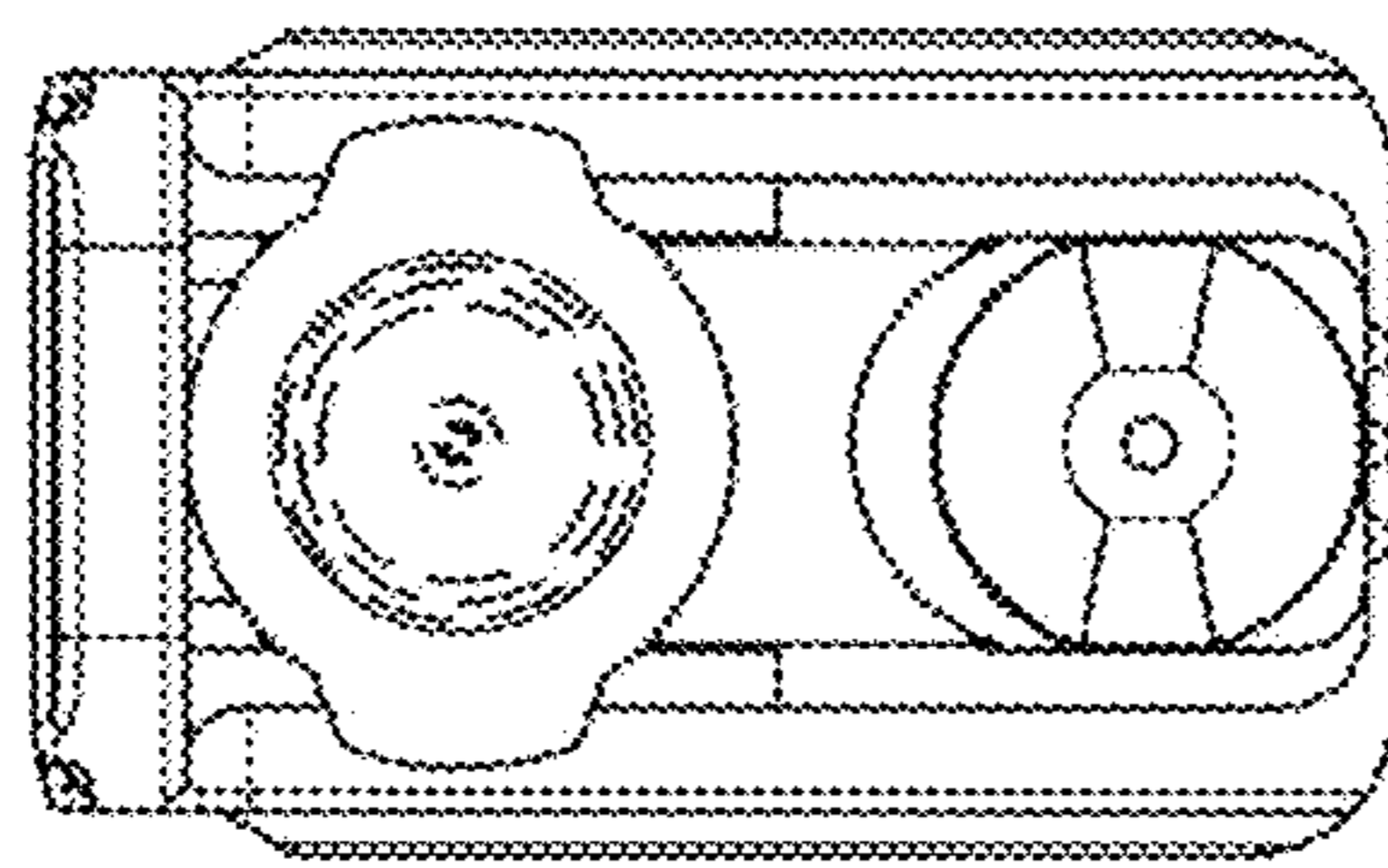


FIG. 12

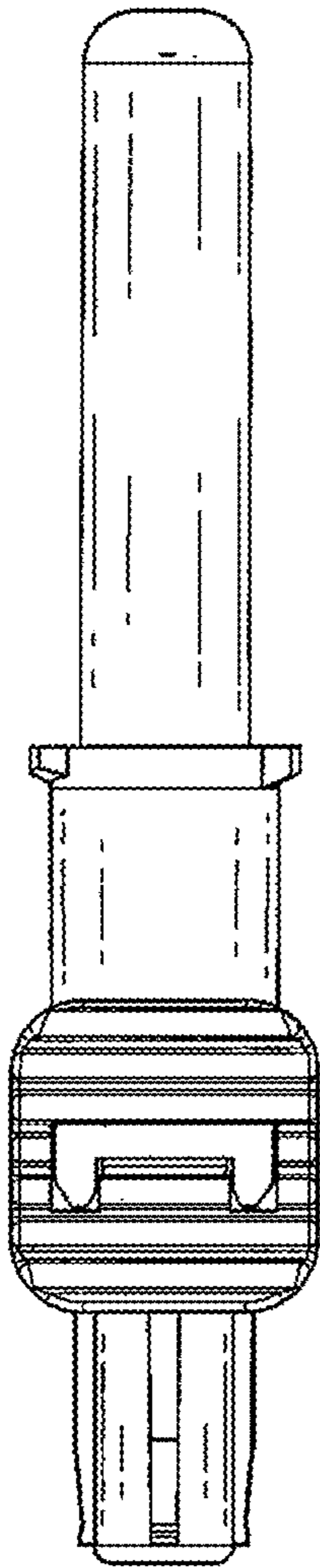


FIG. 13

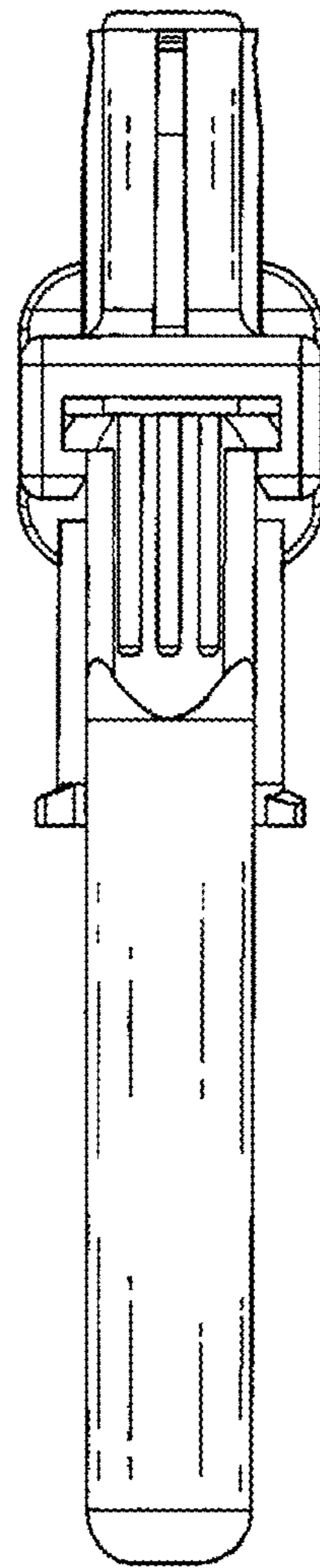


FIG. 14

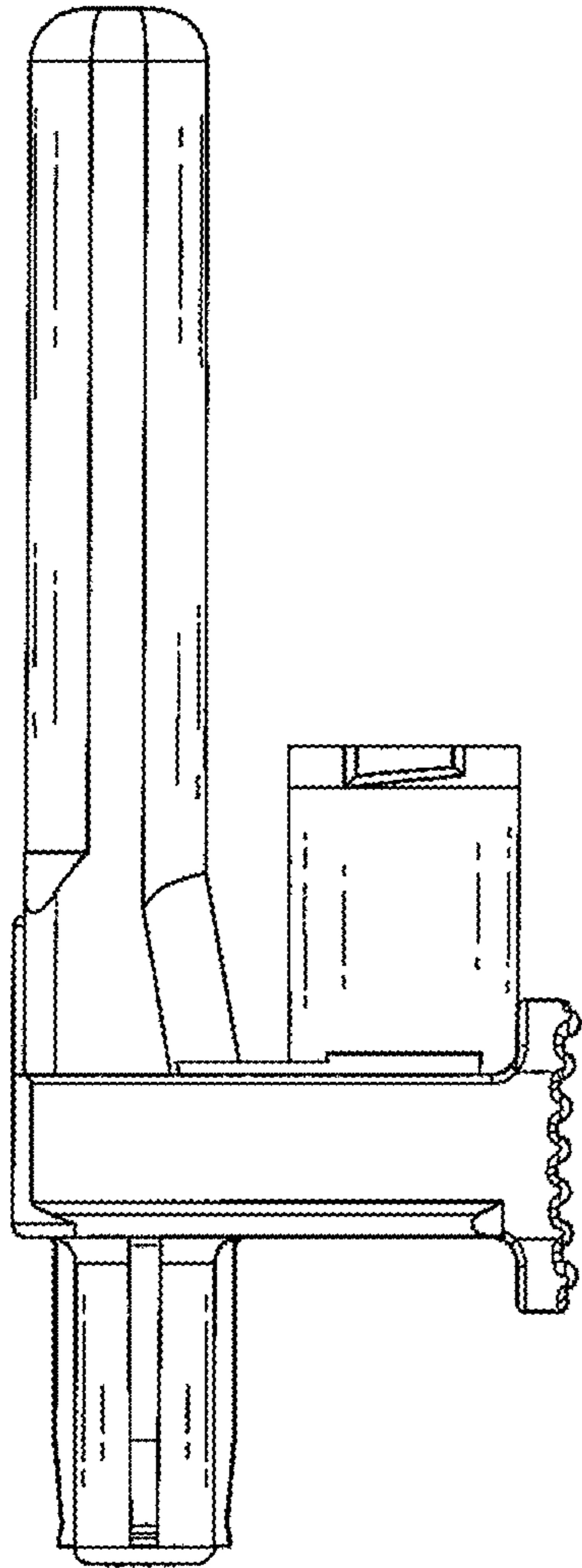


FIG. 15

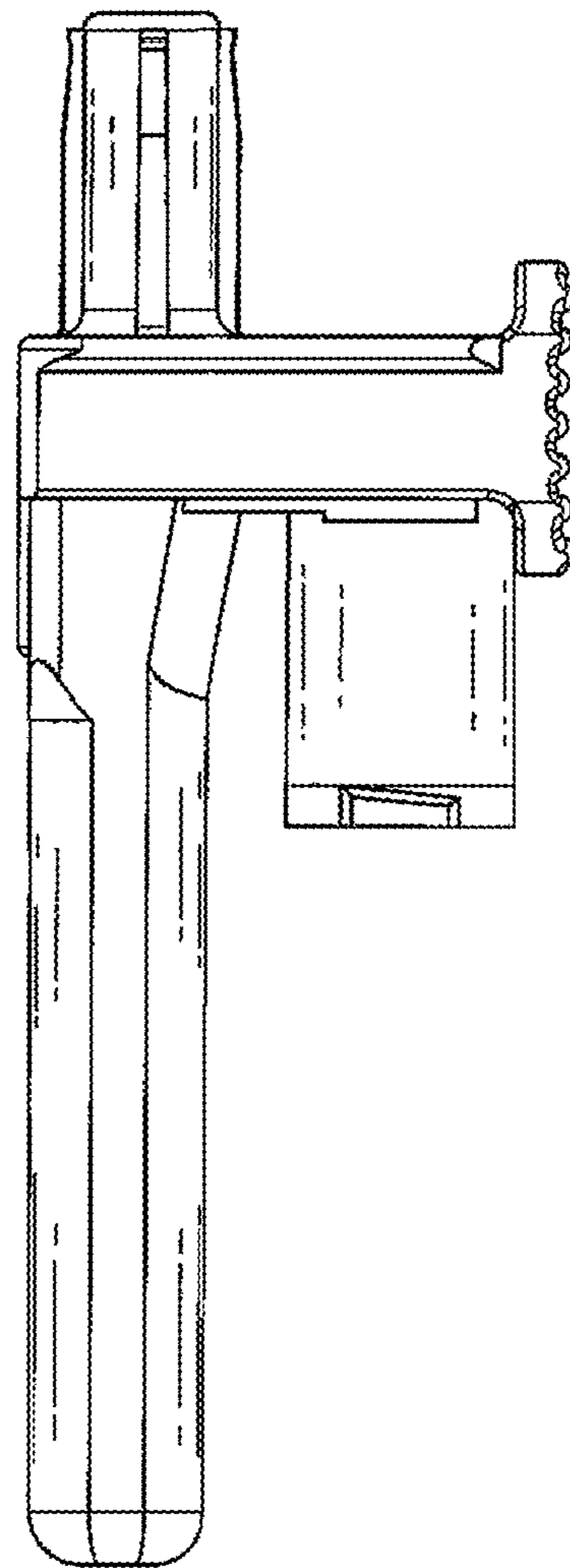


FIG. 16