



US00D823461S

(12) **United States Design Patent** (10) **Patent No.:** **US D823,461 S**
Shaw et al. (45) **Date of Patent:** **** Jul. 17, 2018**

(54) **SLIMLINE SYRINGE WITH OFFSET NEEDLE RETRACTION CHAMBER AND FRONTAL ATTACHMENT**

FOREIGN PATENT DOCUMENTS

CN	1155846	7/1995
EP	0479303	8/1992
EP	1161962	12/2001

(71) Applicants: **Retractable Technologies, Inc.**, Little Elm, TX (US); **Thomas J. Shaw**, Frisco, TX (US)

Primary Examiner — David Muller
(74) *Attorney, Agent, or Firm* — Ross Barnes LLP; Monty L. Ross

(72) Inventors: **Thomas J. Shaw**, Frisco, TX (US); **Mark Small**, Heavener, OK (US); **Ni Zhu**, Plano, TX (US)

(57) **CLAIM**

We claim the ornamental design for a slimline syringe with offset needle retraction chamber and frontal attachment, as shown and described.

(73) Assignee: **Retractable Technologies, Inc.**, Little Elm, TX (US)

DESCRIPTION

(**) Term: **15 Years**

(21) Appl. No.: **29/570,115**

(22) Filed: **Jul. 5, 2016**

Related U.S. Application Data

(63) Continuation-in-part of application No. 14/020,465, filed on Sep. 6, 2013, which is a continuation-in-part (Continued)

(51) **LOC (11) Cl.** **24-02**

(52) **U.S. Cl.**
USPC **D24/114**

(58) **Field of Classification Search**
USPC D24/112–114, 108, 133, 130, 127, 186; 606/181, 185; 604/264, 272, 187, 181, 604/184, 227
(Continued)

(56) **References Cited**

U.S. PATENT DOCUMENTS

4,486,448 A 8/1984 Baidwan et al.
4,747,831 A 5/1988 Kulli
(Continued)

FIG. 1 is a right front perspective view of a slimline syringe with offset needle retraction chamber and frontal attachment when the frontal attachment and a syringe plunger handle are each disposed in a first position, with a forwardly projecting needle shown in phantom outline;
FIG. 2 is a front elevation view thereof;
FIG. 3 is a rear elevation view thereof;
FIG. 4 is a top plan view thereof that is inclined to facilitate placement on the drawing sheet;
FIG. 5 is a bottom plan view thereof that is inclined to facilitate placement on the drawing sheet;
FIG. 6 is a right side elevation view thereof that is inclined to facilitate placement on the drawing sheet;
FIG. 7 is a left side elevation view thereof that is inclined to facilitate placement on the drawing sheet;
FIG. 8 is a right front perspective view of the slimline syringe with offset needle retraction chamber and frontal attachment of FIG. 1 when the frontal attachment and the syringe plunger handle are each disposed in a second position and the needle previously shown in phantom outline is not visible;
FIG. 9 is a front elevation view of the slimline syringe with offset needle retraction chamber and frontal attachment when the frontal attachment and the syringe plunger handle are each disposed in a second position as in FIG. 8 and the needle previously shown in phantom outline is not visible;
FIG. 10 is a rear elevation view;
FIG. 11 is a top plan view;

(Continued)

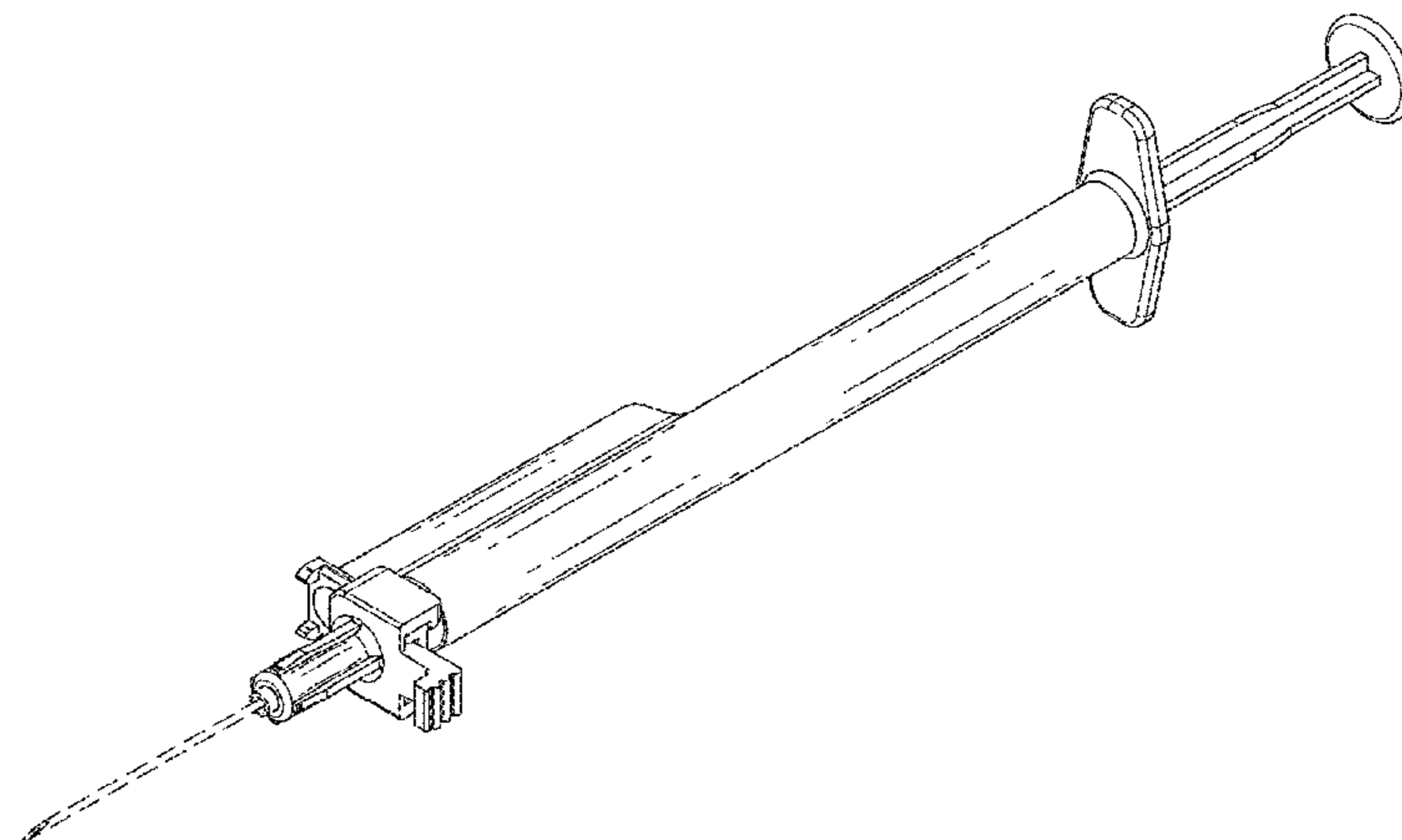


FIG. 12 is a bottom plan view;
 FIG. 13 is a right side elevation view; and,
 FIG. 14 is a left side elevation view.
 The broken line showing of parts of the drawings is included
 for the purpose of illustrating use and environment and
 forms no part of the claimed design.

1 Claim, 10 Drawing Sheets

Related U.S. Application Data

of application No. 13/714,819, filed on Dec. 14, 2012,
 now Pat. No. 9,138,545.

(58) **Field of Classification Search**

CPC A61M 5/178; A61M 3/00; A61M 5/20;
 A61M 5/31; A61M 5/3146; A61M
 5/3129; A61M 5/3148; A61M 5/315
 See application file for complete search history.

(56) **References Cited**

U.S. PATENT DOCUMENTS

4,813,426	A	3/1989	Haber et al.	
4,813,935	A	3/1989	Haber et al.	
4,941,883	A	7/1990	Venturini	
4,973,316	A	11/1990	Dysarz	
D326,154	S *	5/1992	Deguchi	D24/112
5,163,916	A	11/1992	Sunderland	
5,263,942	A	11/1993	Smedley et al.	
5,298,023	A	3/1994	Haber et al.	
5,370,628	A	12/1994	Allison et al.	
5,395,337	A	3/1995	Clemens et al.	
5,423,758	A	6/1995	Shaw	
5,445,618	A	8/1995	Adobbati	
5,503,010	A	4/1996	Yamanaka	
5,573,510	A	12/1996	Isaacson	
5,685,863	A	11/1997	Botich et al.	
5,704,920	A	1/1998	Gyure	
5,728,073	A	3/1998	Whisson	
5,779,679	A	7/1998	Shaw	
D397,434	S *	8/1998	Pike	D24/112
5,795,339	A	8/1998	Erskine	
5,957,887	A	9/1999	Osterlind et al.	
5,964,731	A	10/1999	Kovelman	
6,039,713	A	3/2000	Botich et al.	
6,063,040	A	5/2000	Owen et al.	
6,210,371	B1	4/2001	Shaw	
D445,495	S *	7/2001	Schaefer	D24/108
6,277,102	B1	8/2001	Carilli	

6,468,250	B2	10/2002	Yang	
6,500,153	B1 *	12/2002	Sheppard	A61B 17/3401 604/164.01
D484,239	S *	12/2003	Anderson	D24/112
6,794,423	B1	9/2004	Li	
6,808,512	B1	10/2004	Lin et al.	
D505,200	S *	5/2005	Simpson	D24/114
7,351,224	B1	4/2008	Shaw	
D601,243	S *	9/2009	Bierman	D24/112
D616,985	S *	6/2010	Ade	D24/130
D617,454	S *	6/2010	Shaw	D24/130
D617,893	S *	6/2010	Bierman	D24/112
D657,462	S *	4/2012	Siroky	D24/130
D657,867	S *	4/2012	Effenberger	D24/114
8,292,852	B2	10/2012	Mulholland	
8,343,094	B2	1/2013	Shaw	
D690,417	S *	9/2013	Solomon	D24/114
2001/0021827	A1	9/2001	Ferguson et al.	
2002/0068907	A1	6/2002	Dysarz	
2002/0082560	A1	6/2002	Yang	
2003/0078540	A1	4/2003	Saulenas et al.	
2003/0171695	A1	9/2003	Zurcher	
2003/0181871	A1	9/2003	Wilkinson et al.	
2003/0236504	A1	12/2003	Chen	
2004/0015135	A1	1/2004	Wilkinson	
2004/0019329	A1	1/2004	Erskine	
2004/0133172	A1	7/2004	Wilkinson	
2004/0204888	A1	10/2004	Lin et al.	
2005/0004524	A1	1/2005	Newby et al.	
2005/0288607	A1	12/2005	Konrad	
2006/0155244	A1	7/2006	Popov	
2006/0189934	A1	8/2006	Kuracina et al.	
2006/0235354	A1	10/2006	Kaal et al.	
2007/0260189	A1	11/2007	Shaw et al.	
2008/0132851	A1	6/2008	Shaw et al.	
2008/0132854	A1	6/2008	Sharp	
2008/0287881	A1	11/2008	Kiehne	
2008/0319345	A1	12/2008	Swenson	
2009/0198196	A1	8/2009	West et al.	
2009/0306601	A1	12/2009	Shaw et al.	
2010/0000040	A1	1/2010	Shaw et al.	
2010/0003067	A1	1/2010	Shaw et al.	
2010/0241029	A1	9/2010	Mahurkar	
2010/0286604	A1	11/2010	Shaw	
2010/0317999	A1	12/2010	Shaw et al.	
2011/0264037	A1	10/2011	Foshee et al.	
2012/0022464	A1	1/2012	Zivkovic et al.	
2012/0071790	A1	3/2012	Mahurkar	
2012/0071827	A1	3/2012	Zivkovic et al.	
2012/0078225	A1	3/2012	Zivkovic et al.	
2012/0226232	A1	9/2012	Shaw et al.	
2012/0259243	A1	10/2012	Shaw et al.	
2012/0316466	A1	12/2012	Crawford et al.	

* cited by examiner

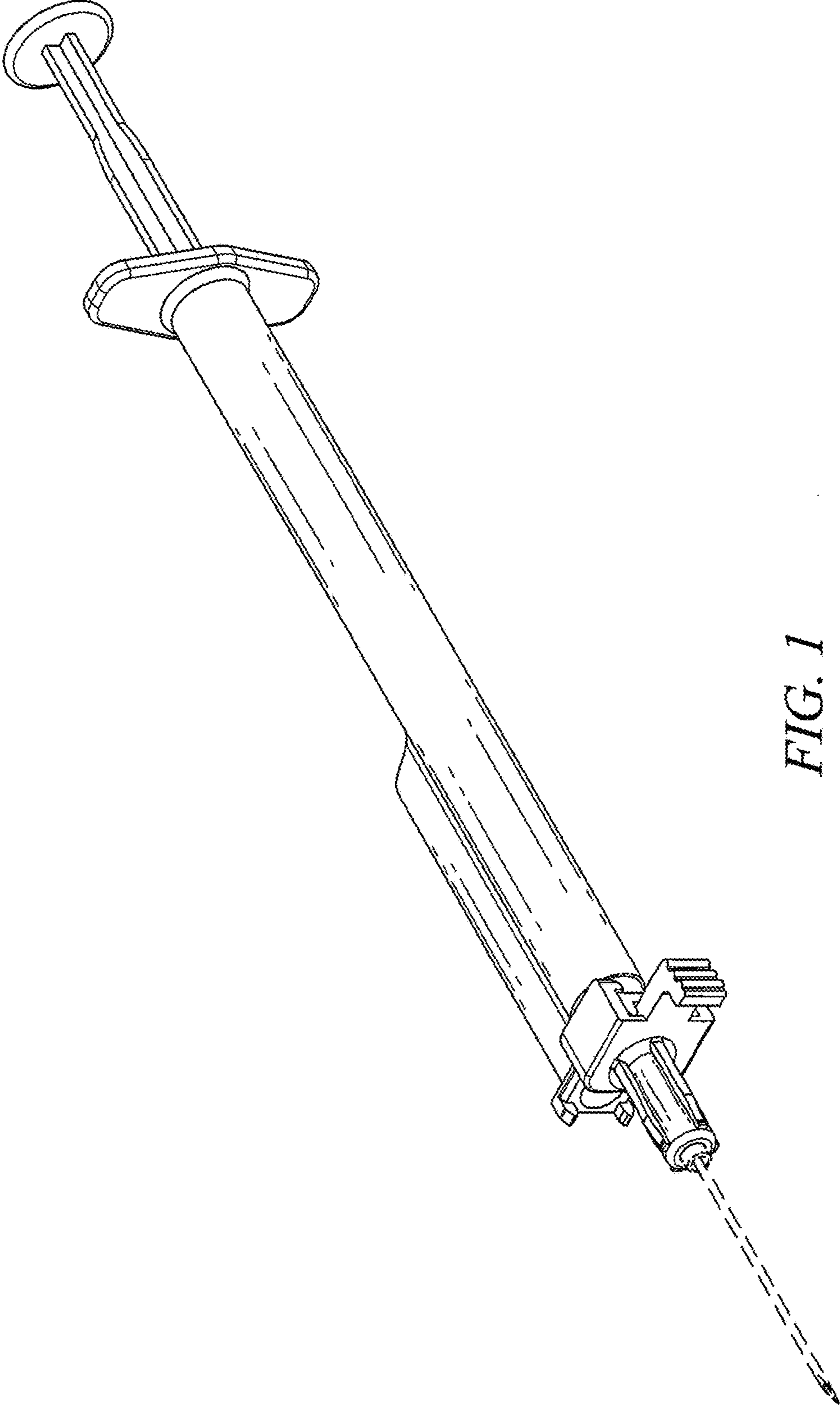


FIG. 1

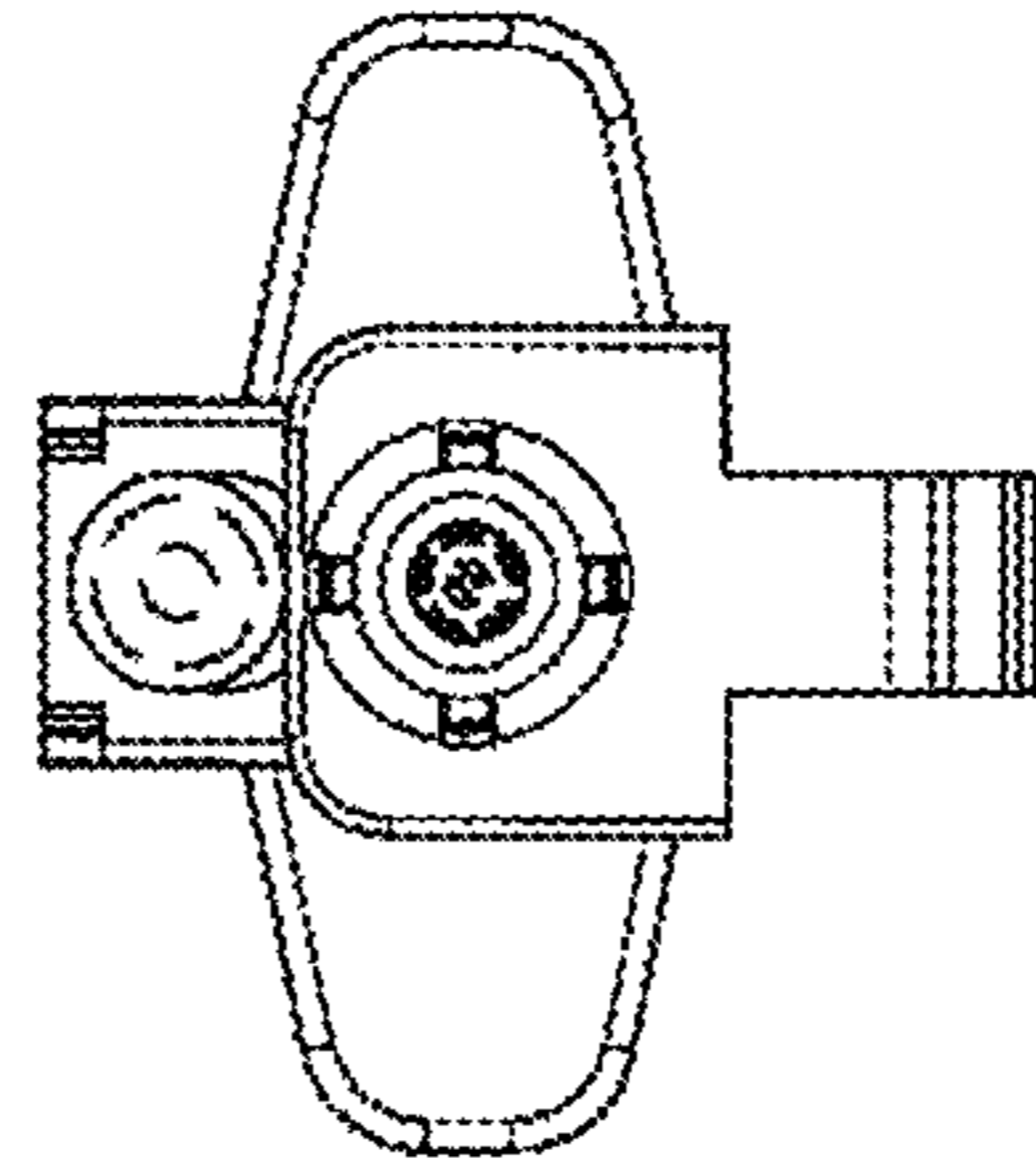


FIG. 2

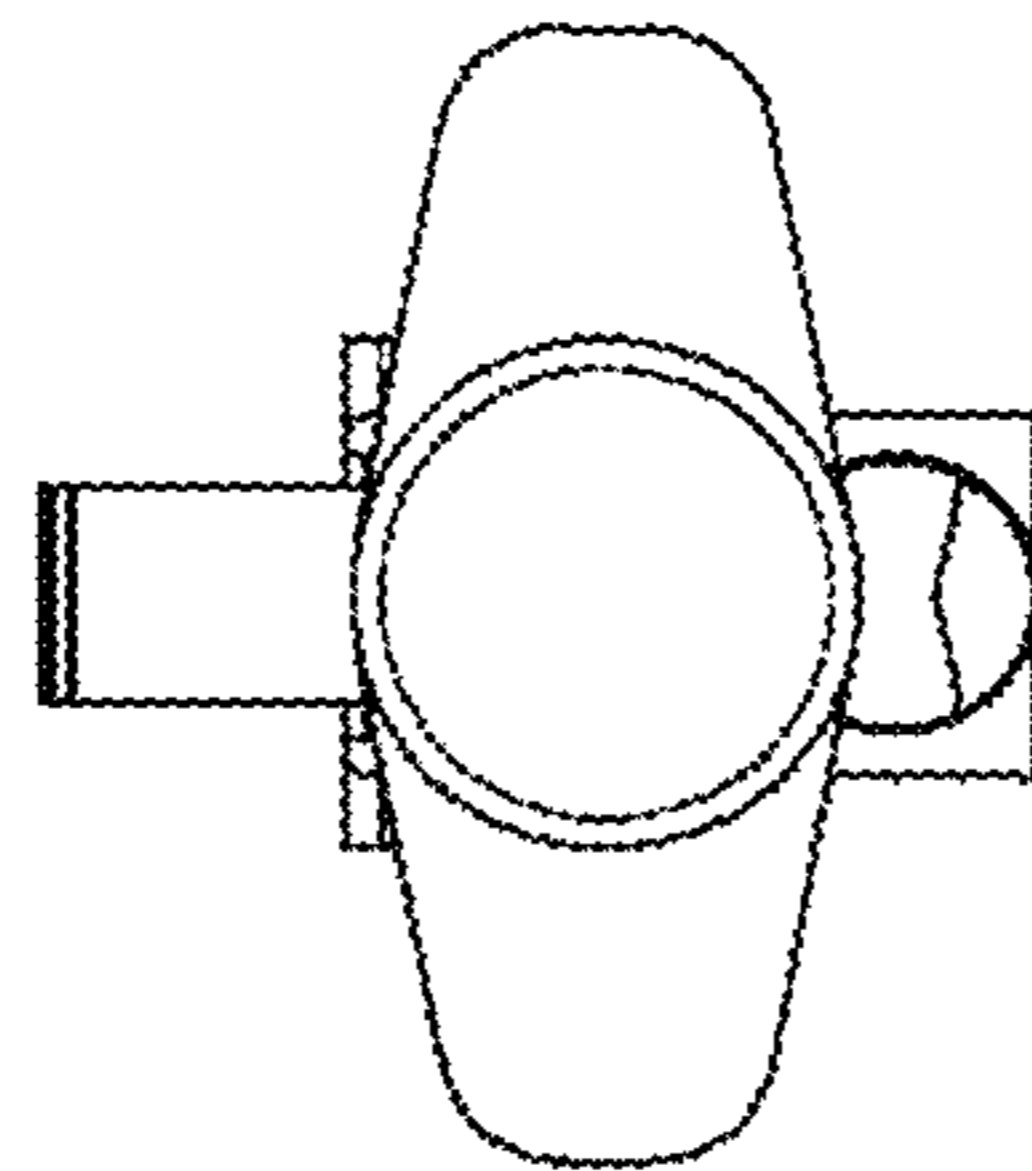


FIG. 3

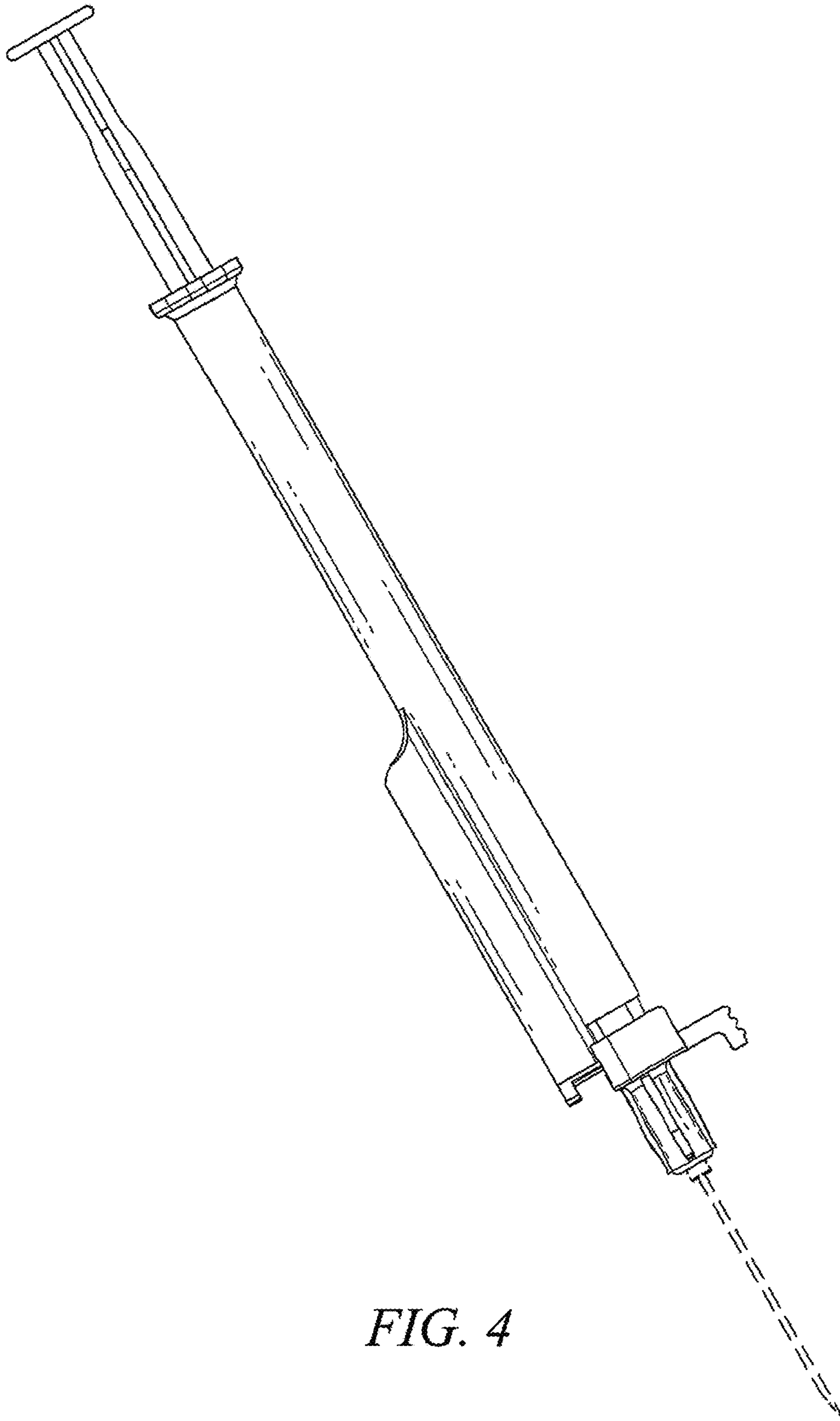


FIG. 4

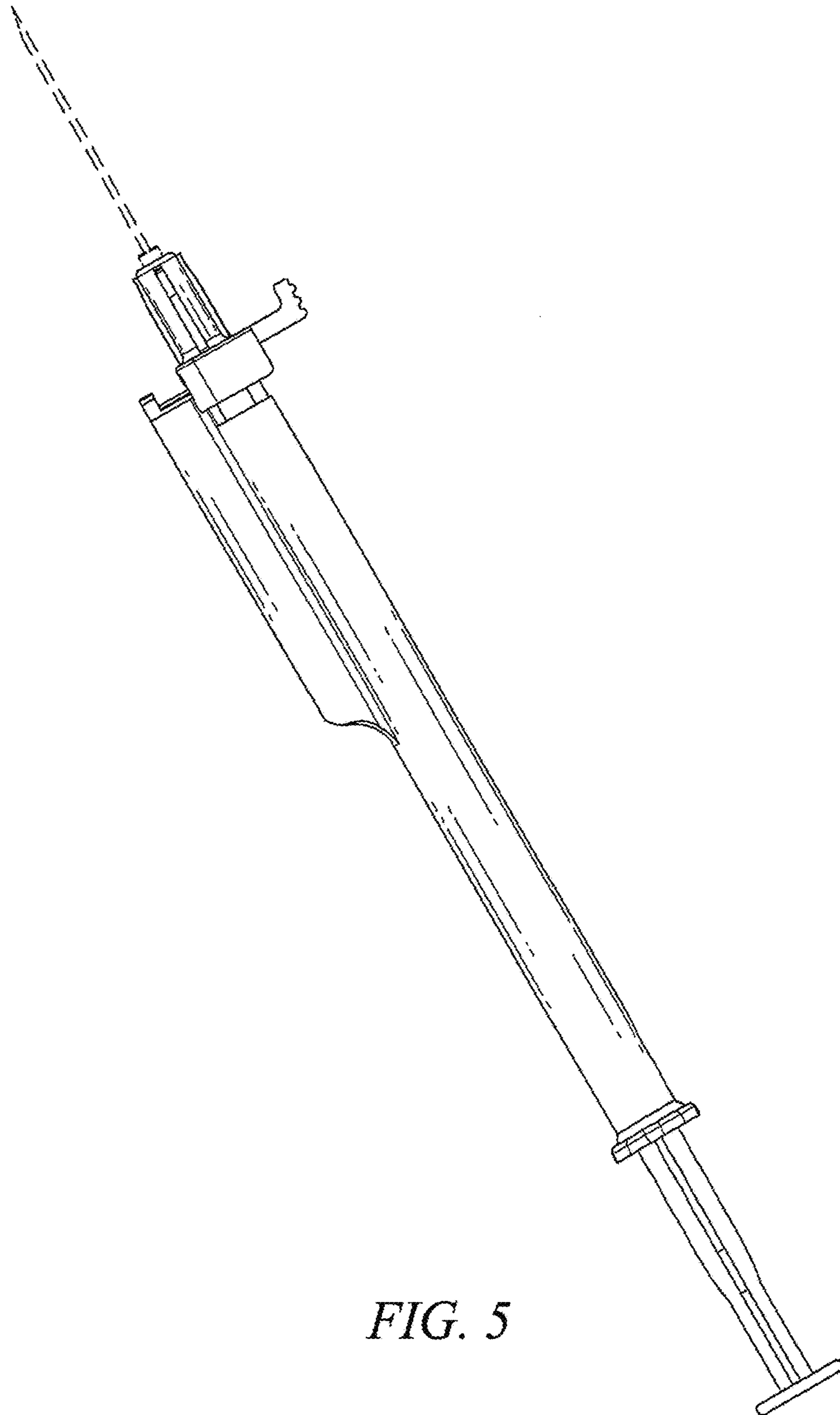


FIG. 5

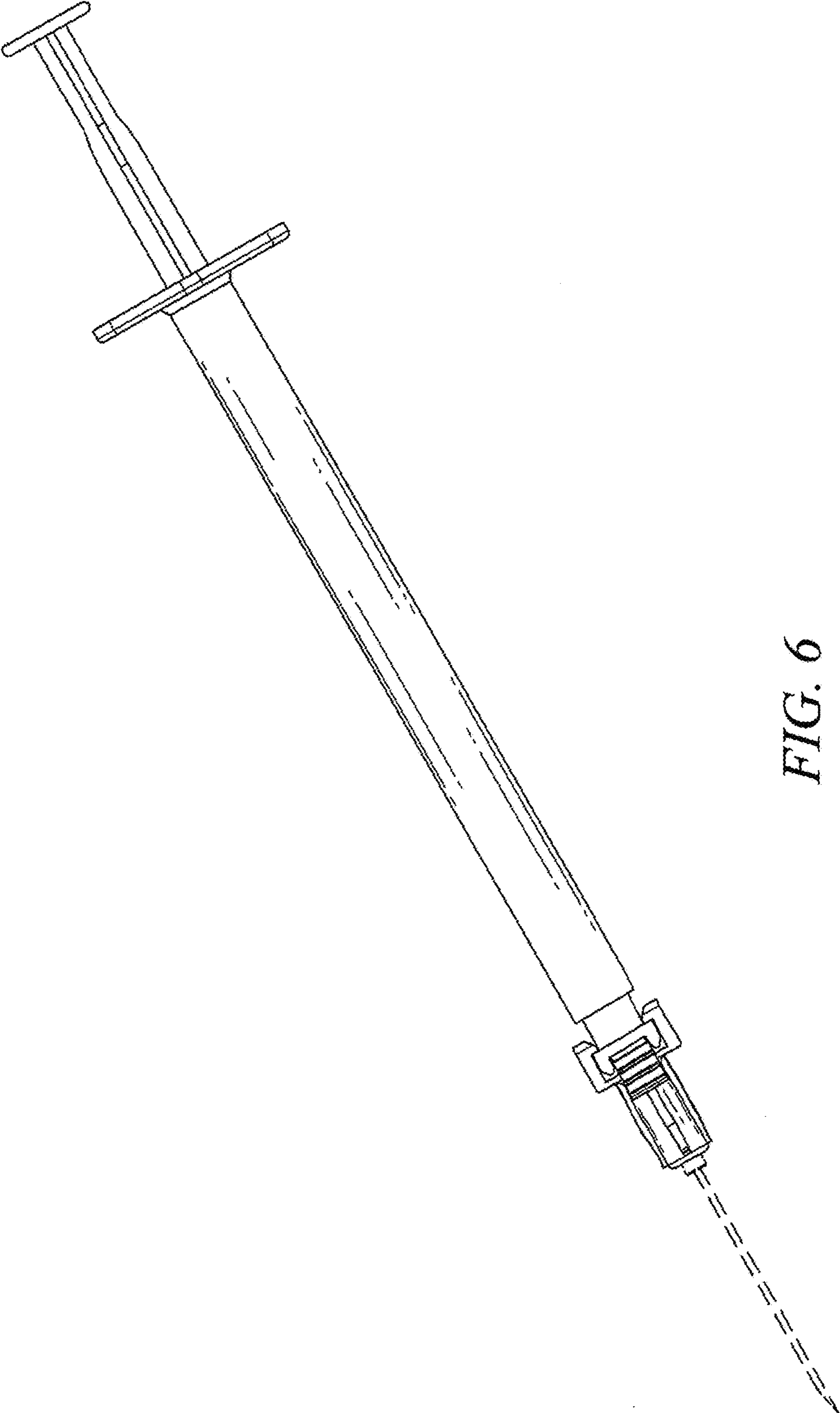


FIG. 6

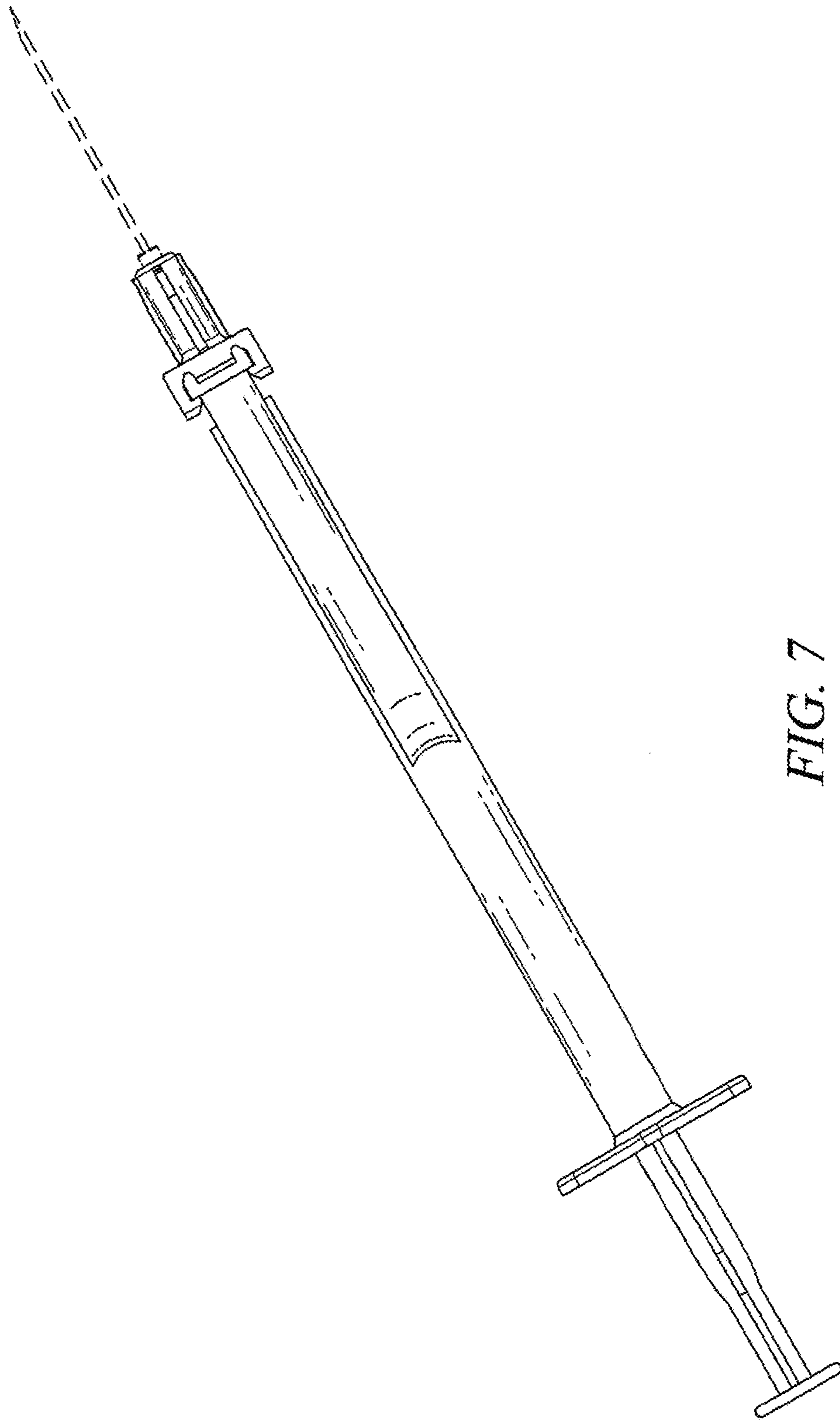


FIG. 7

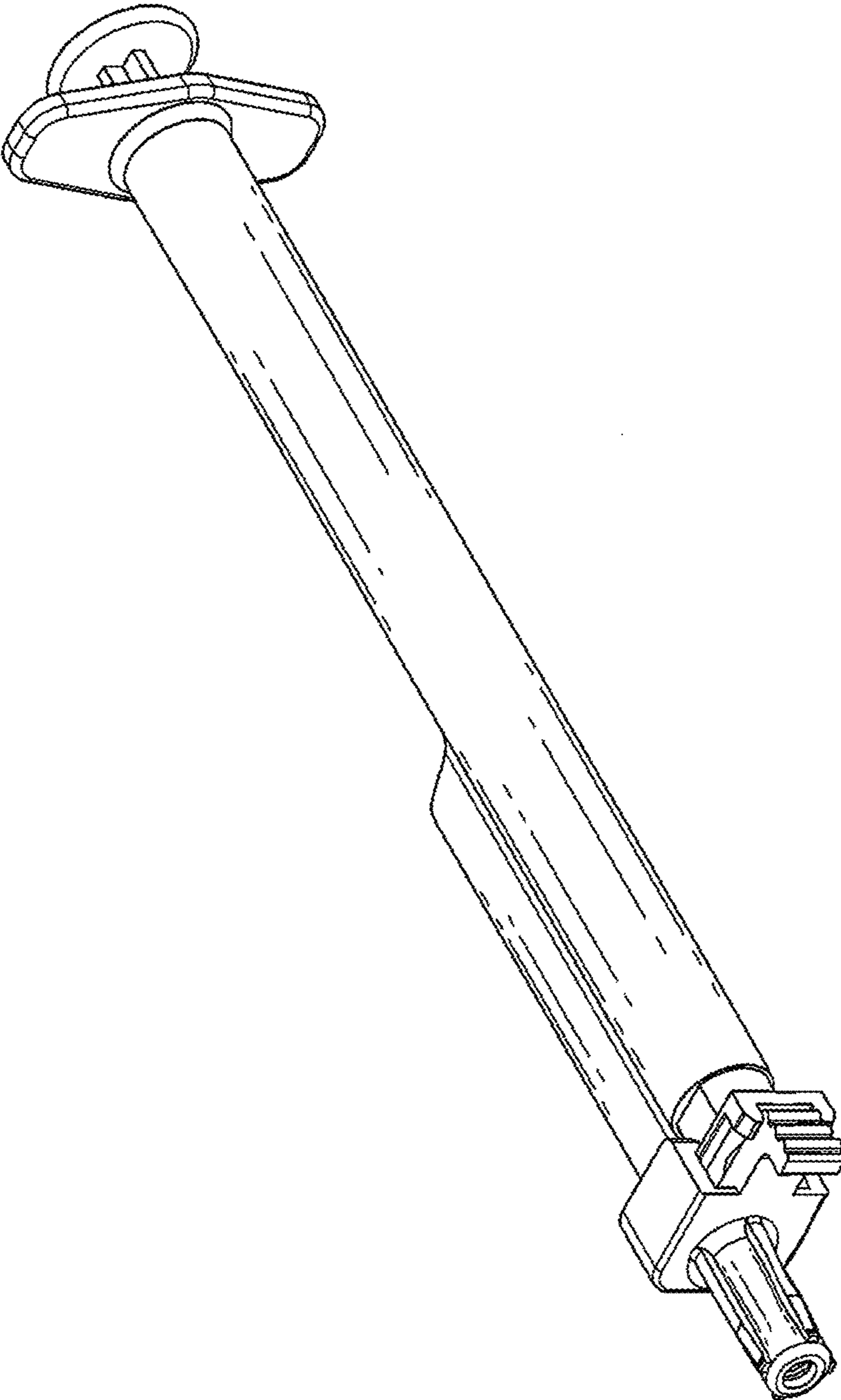


FIG. 8

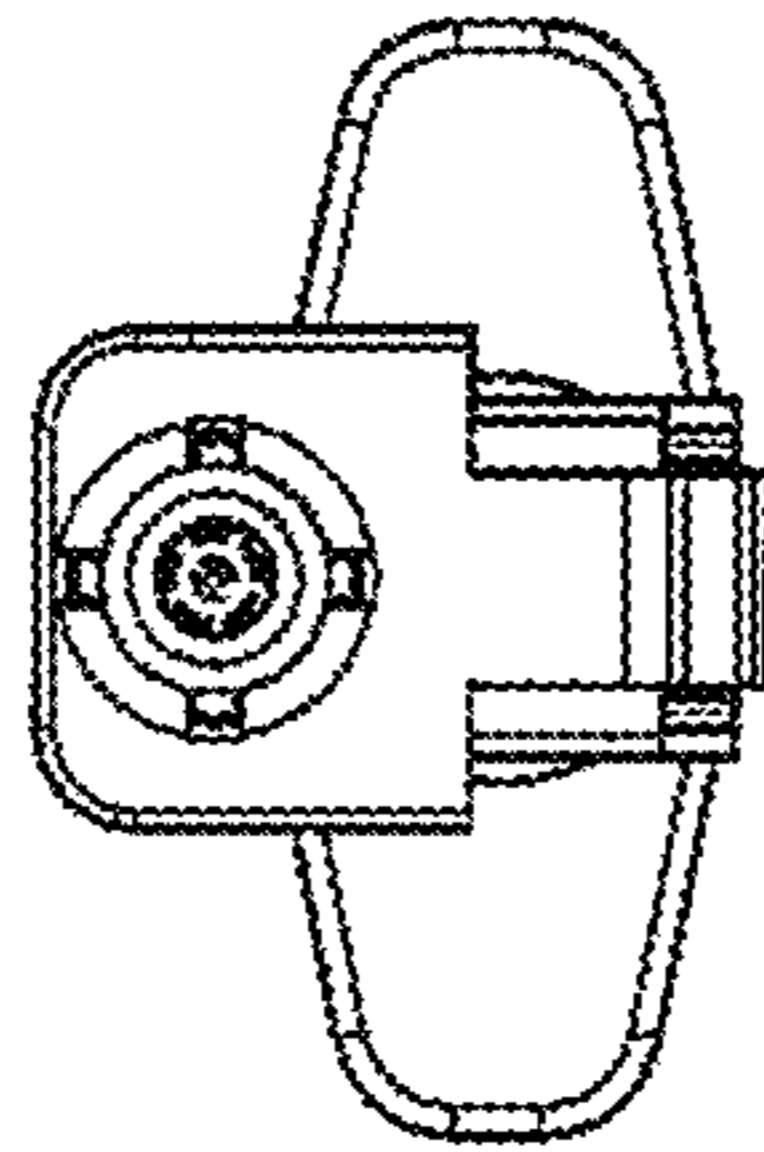


FIG. 9

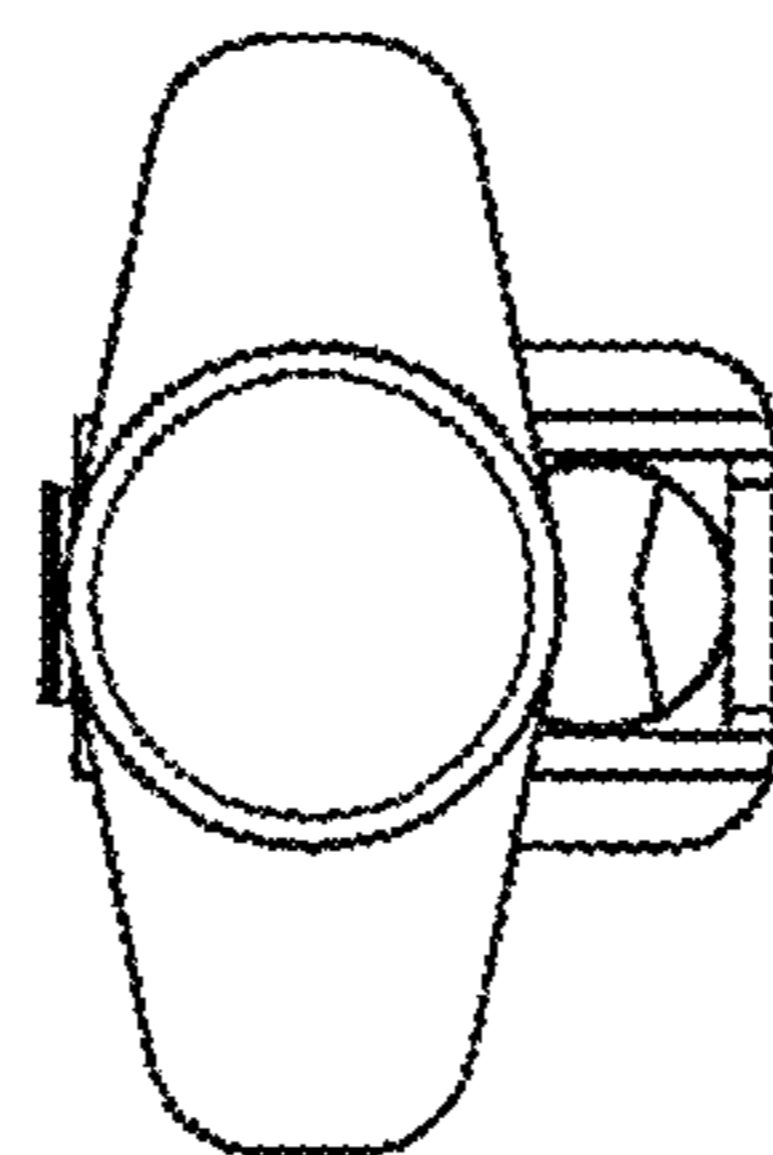


FIG. 10

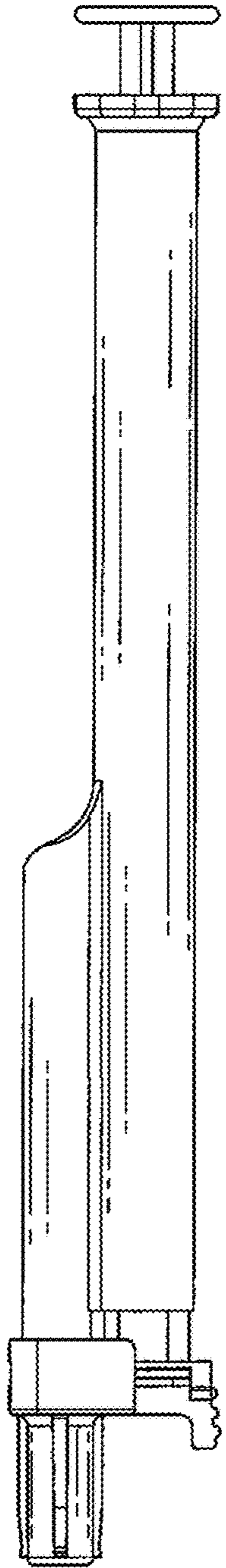


FIG. 11

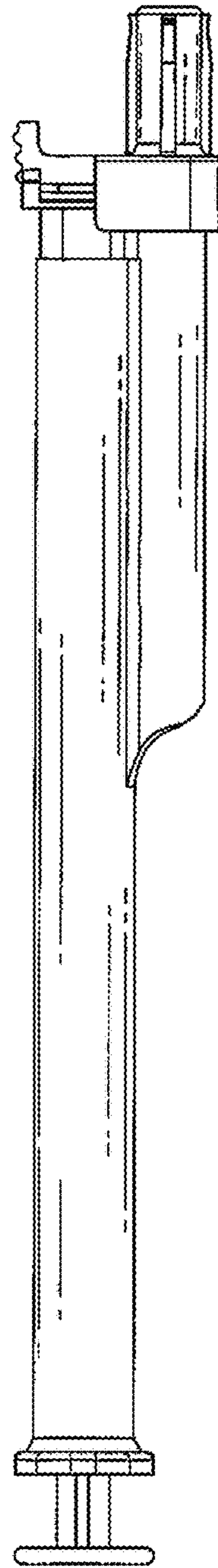


FIG. 12

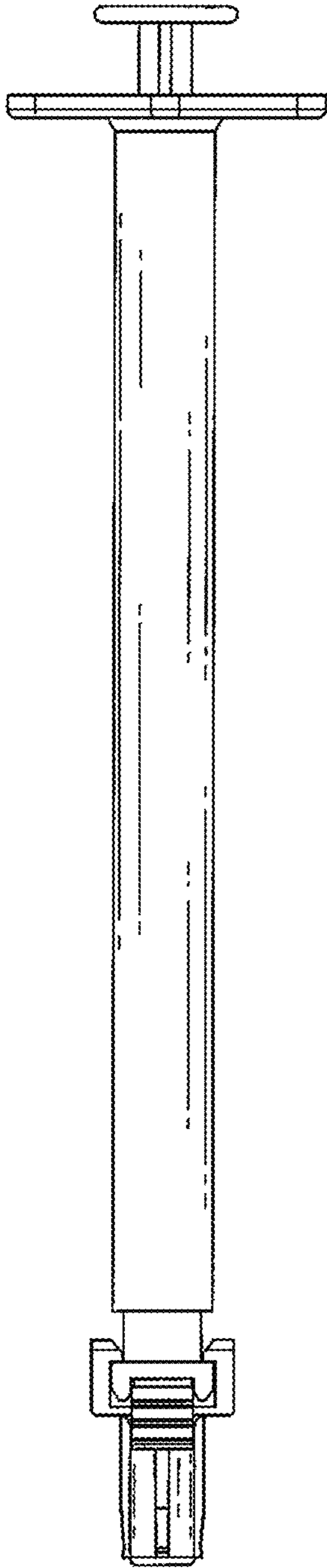


FIG. 13

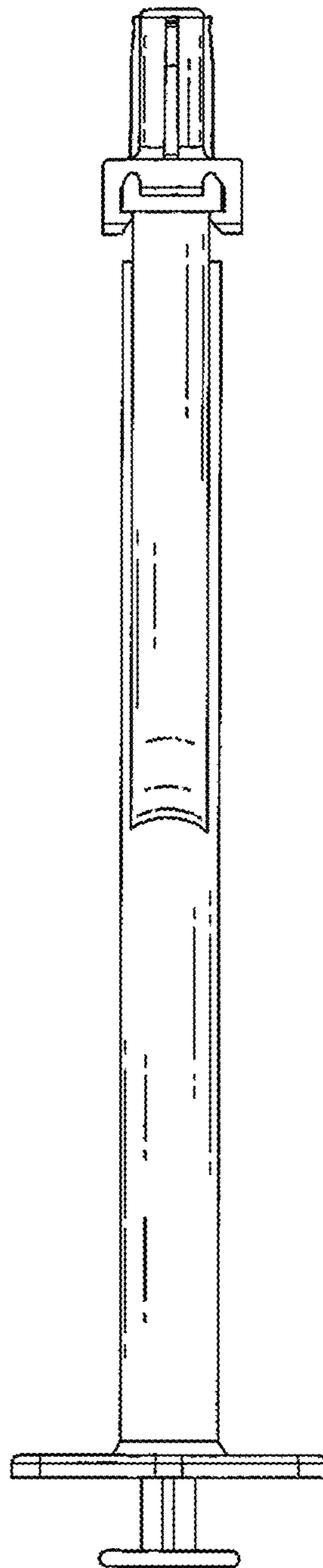


FIG. 14