



US00D823460S

(12) **United States Design Patent** (10) **Patent No.:** **US D823,460 S**
Raghuveer et al. (45) **Date of Patent:** **** Jul. 17, 2018**

(54) ANAL DEVICE	4,801,295 A * 1/1989 Spencer A61M 5/3271 604/110
(71) Applicant: Glenmark Pharmaceuticals S.A., La Chaux-de-Fonds (CH)	D371,057 S * 6/1996 Nicol D24/114 D483,861 S * 12/2003 Law D24/112 D489,819 S * 5/2004 Ford D24/112 6,972,008 B2 * 12/2005 Bills A61C 3/005 604/187
(72) Inventors: A.V.V.P.S. Raghuveer, Andhra Pradesh (IN); Rajendra Shetty, Maharashtra (IN); Prashant Navale, Maharashtra (IN)	D540,908 S * 4/2007 Py D23/213 7,329,241 B2 2/2008 Horvath et al. D610,253 S * 2/2010 Kawamura D24/114 D692,308 S * 10/2013 Baker D24/114 D739,933 S * 9/2015 Ettlin D24/114 2001/0053886 A1 * 12/2001 Caizza A61M 5/3234 604/110
(73) Assignee: GLENMARK PHARMACEUTICALS S.A., La Chaux-de-Fonds (CH)	

(**) Term: **15 Years**

(Continued)

(21) Appl. No.: **29/567,120**

Primary Examiner — David G Muller

(22) Filed: **Jun. 6, 2016**

Assistant Examiner — Nathan M Johnston

(30) **Foreign Application Priority Data**

(74) *Attorney, Agent, or Firm* — Ryan, Mason & Lewis,
LLP

Dec. 8, 2015 (IN) 278160

(51) **LOC (11) Cl.** **24-02**

(52) **U.S. Cl.**
USPC **D24/114**

(58) **Field of Classification Search**
USPC D24/112–114, 133, 186, 104, 127, 130;
606/181, 185; 604/264, 272, 115, 232,
604/187, 158, 164.08, 192, 263, 163, 181,
604/184, 198, 227
CPC A61M 5/31596; A61M 2005/1787; A61M
2005/31508; A61M 5/31511; A61M
2005/3121; A61M 2005/31598; A61M
2005/3123

See application file for complete search history.

(56) **References Cited**

U.S. PATENT DOCUMENTS

4,702,738 A *	10/1987	Spencer	A61M 5/3272	604/198
4,787,891 A *	11/1988	Levin	A61M 5/3287	604/136

(57) **CLAIM**

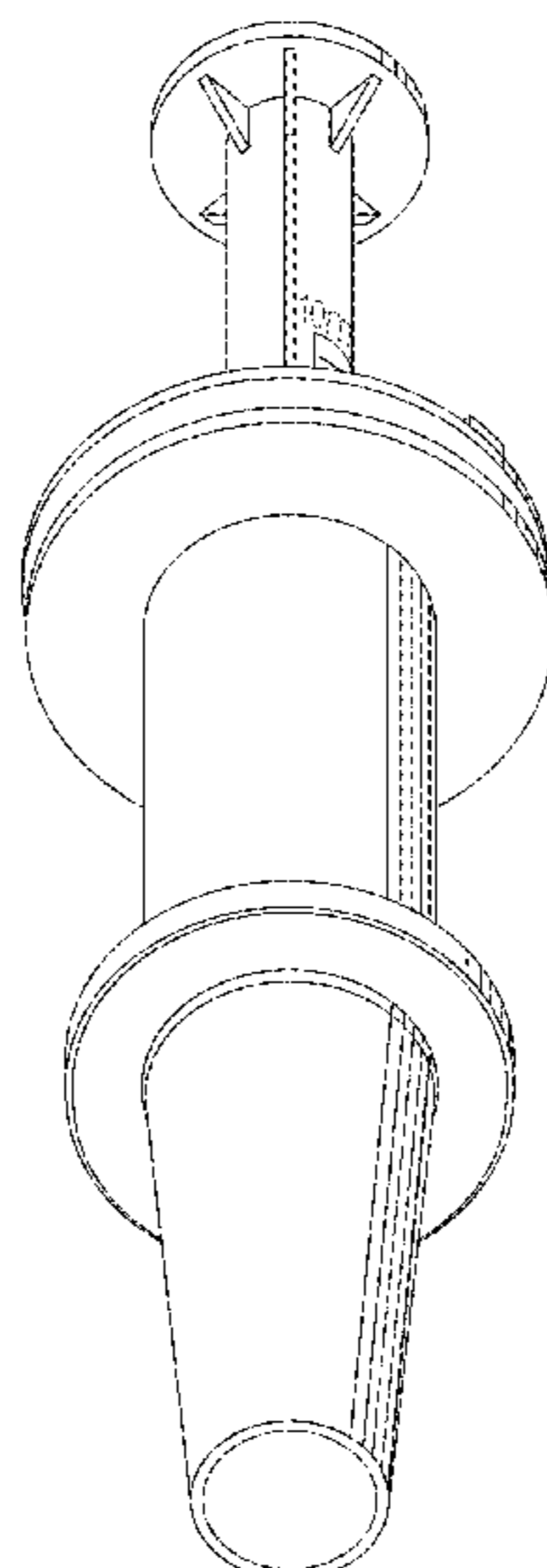
The ornamental design for an anal device, as shown and described.

DESCRIPTION

FIG. 1 is a perspective view of an anal device in accordance with the present design;
 FIG. 2 is an inverted prospective view thereof;
 FIG. 3 is a perspective left side view thereof;
 FIG. 4 is a perspective right side view thereof;
 FIG. 5 is a top plan view thereof;
 FIG. 6 is a bottom view thereof;
 FIG. 7 is a front elevation view thereof;
 FIG. 8 is a rear elevation view thereof;
 FIG. 9 is a right side elevation view thereof; and,
 FIG. 10 is a left side elevation view thereof.

The features shown in broken lines depict environmental subject matter only and form no part of the claimed design.

1 Claim, 9 Drawing Sheets



(56)

References Cited

U.S. PATENT DOCUMENTS

2004/0267210 A1 * 12/2004 Popovsky A61M 5/3257
604/263

2010/0305515 A1 12/2010 Subramanian et al.

* cited by examiner

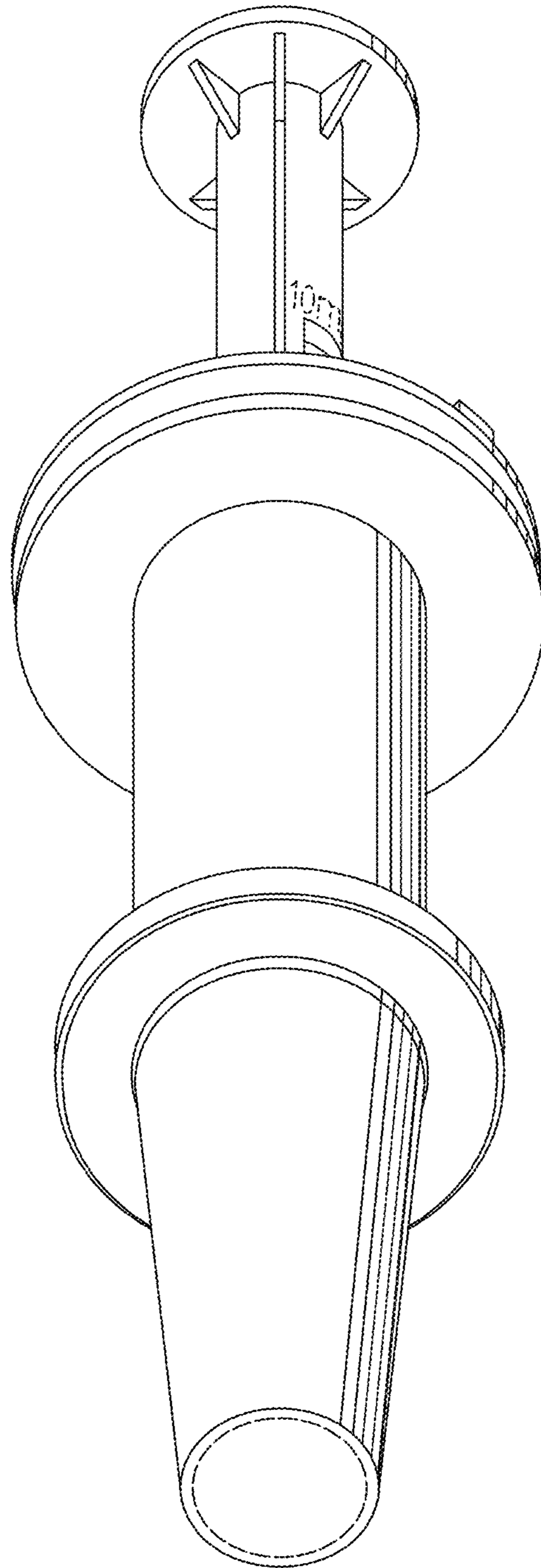


FIG. 1

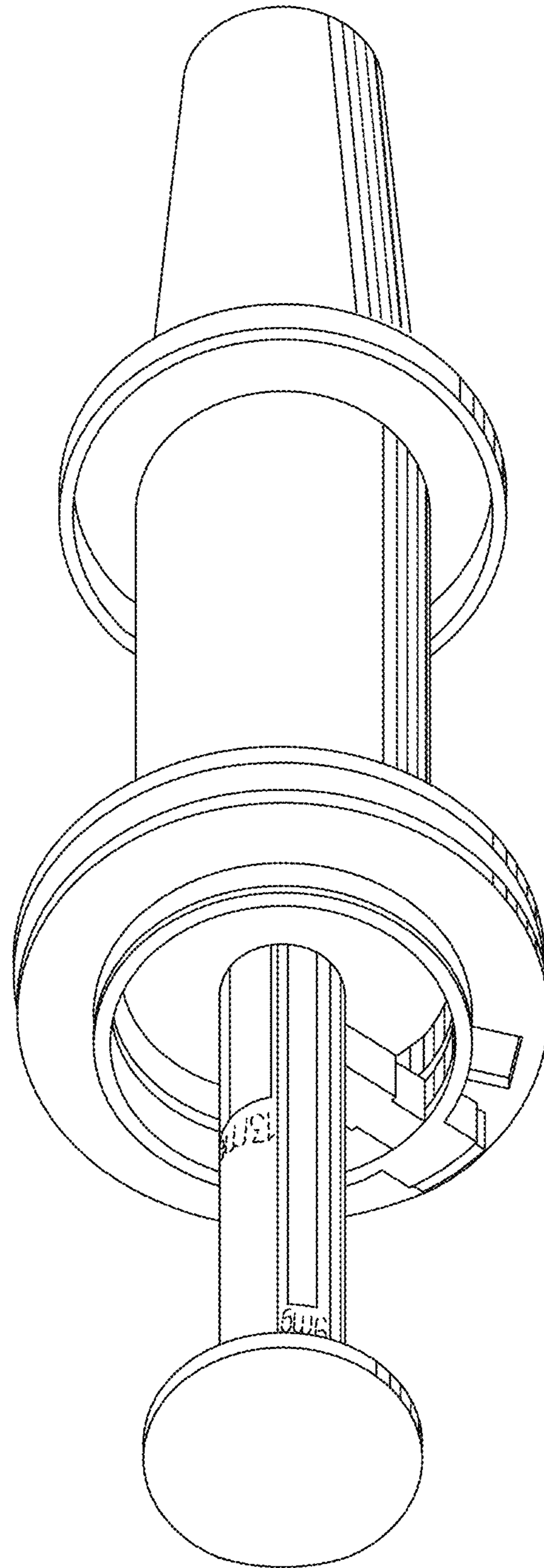


FIG. 2

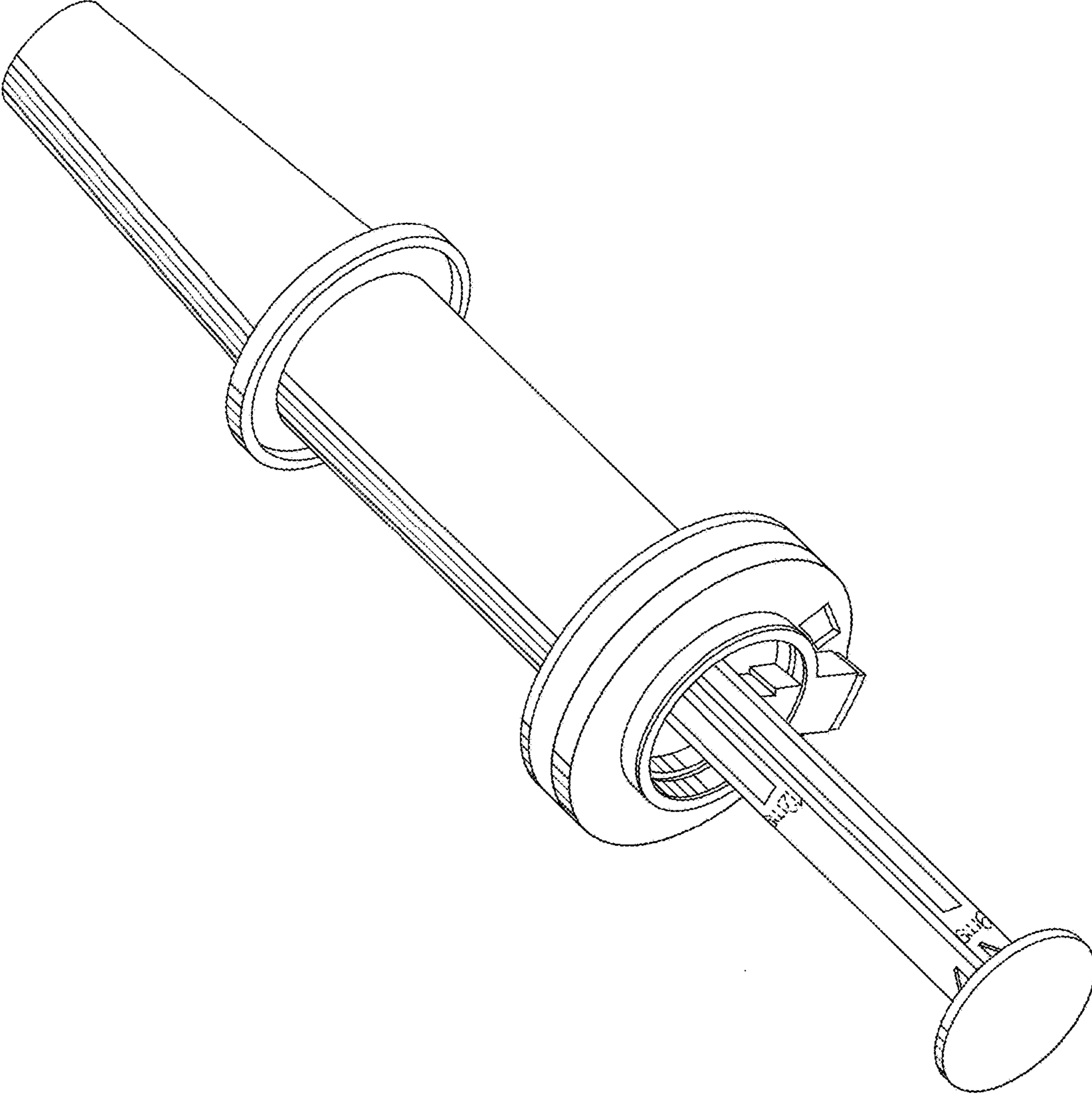


FIG. 3

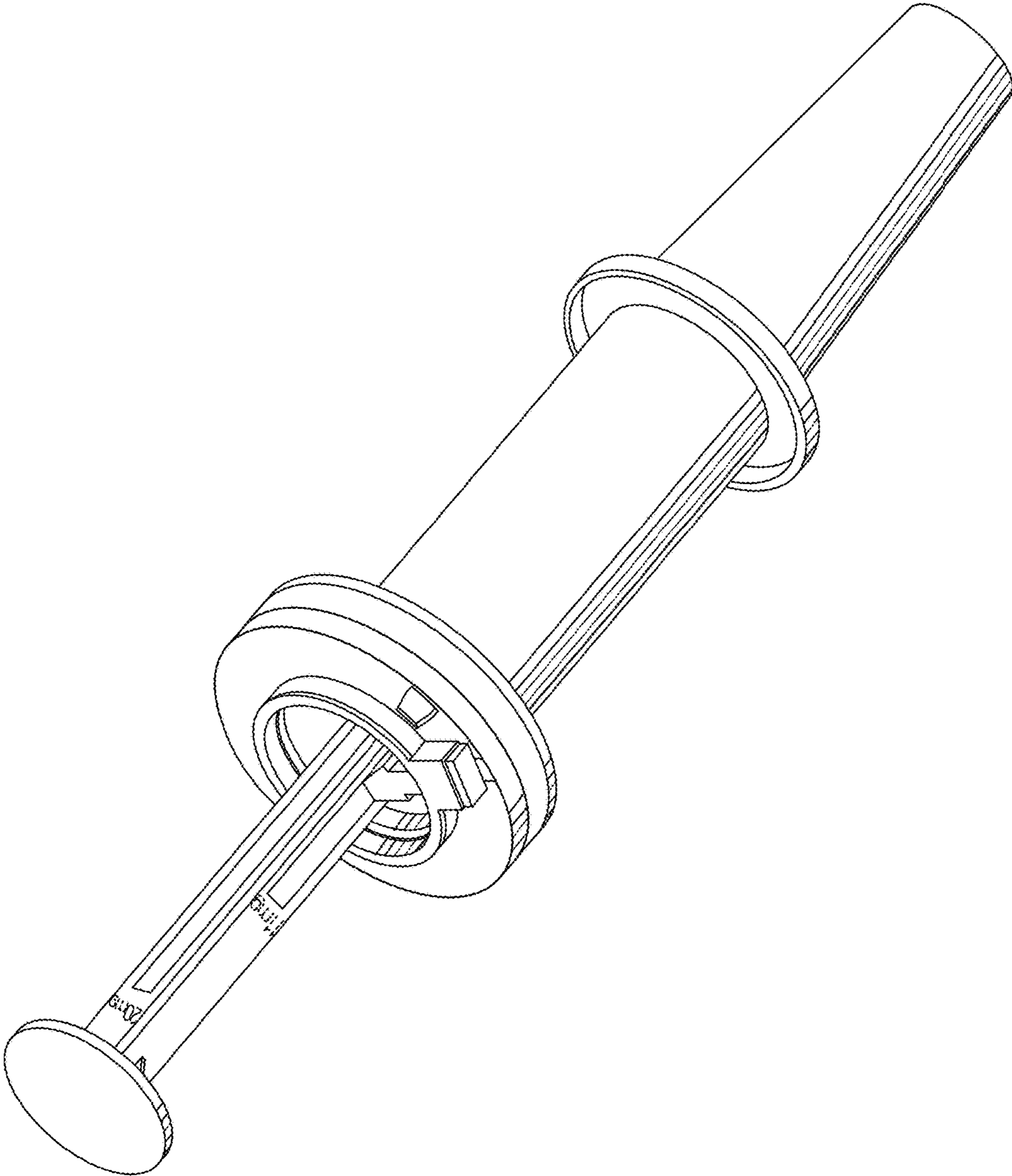


FIG. 4

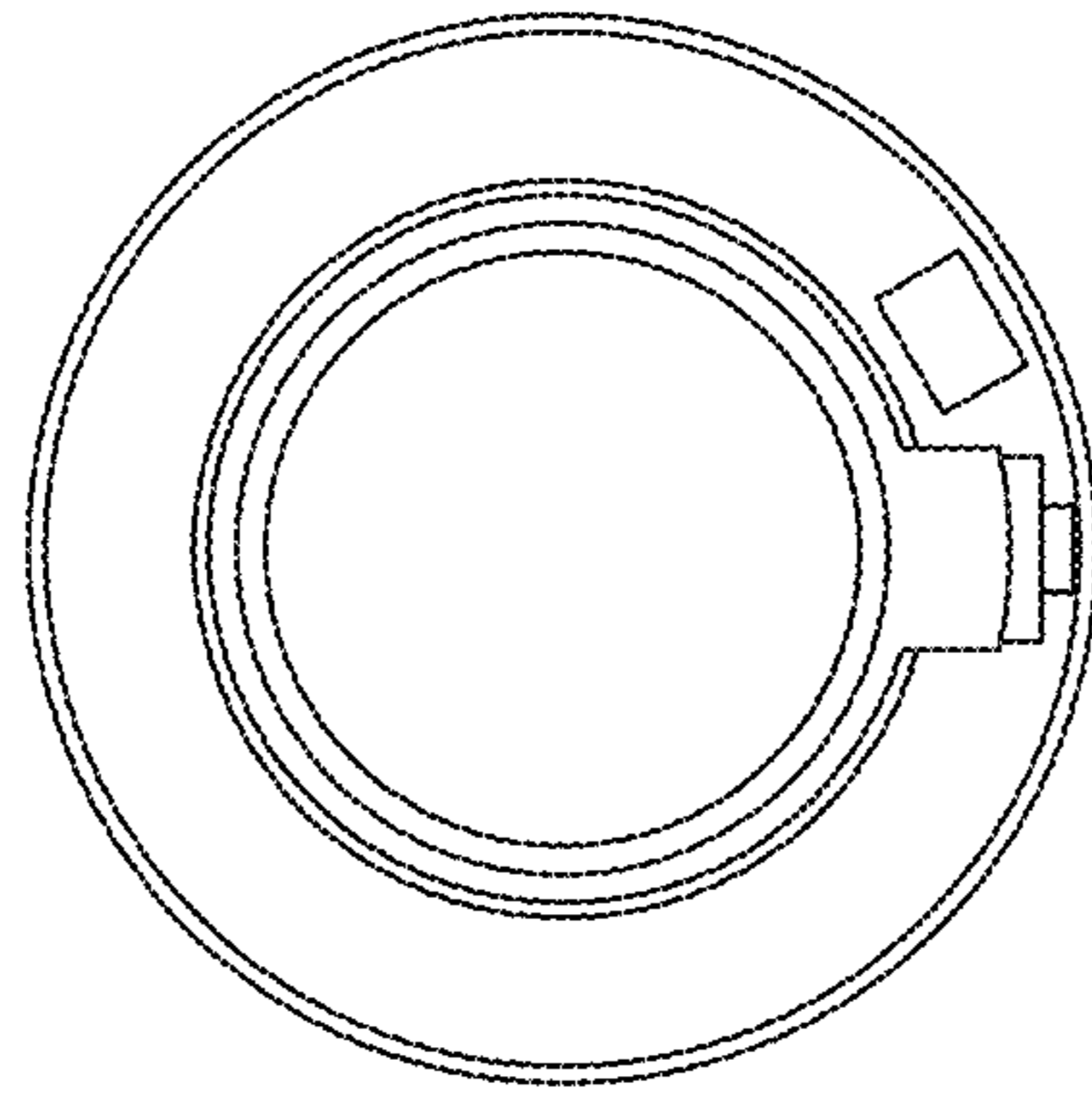


FIG. 5

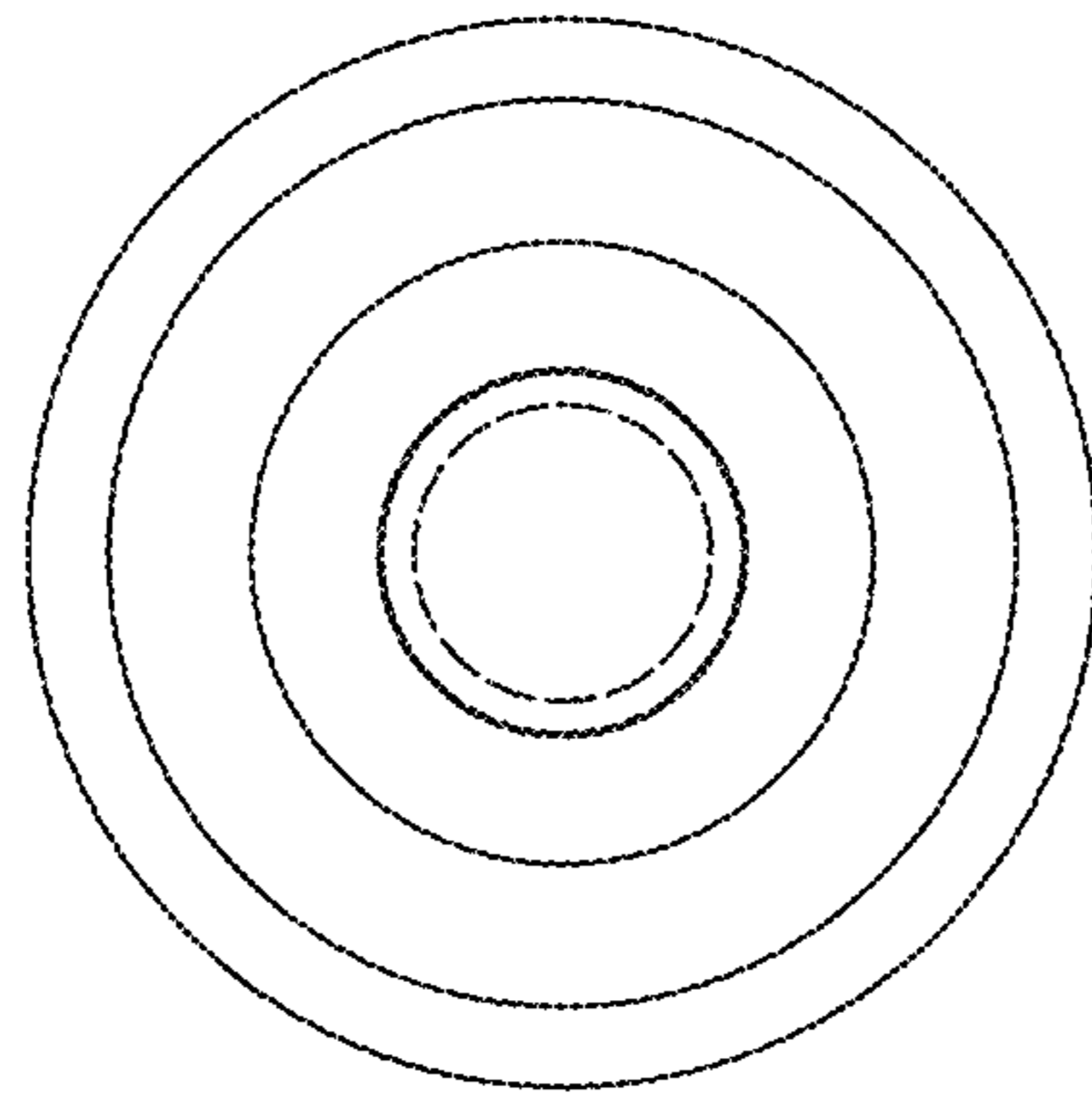


FIG. 6

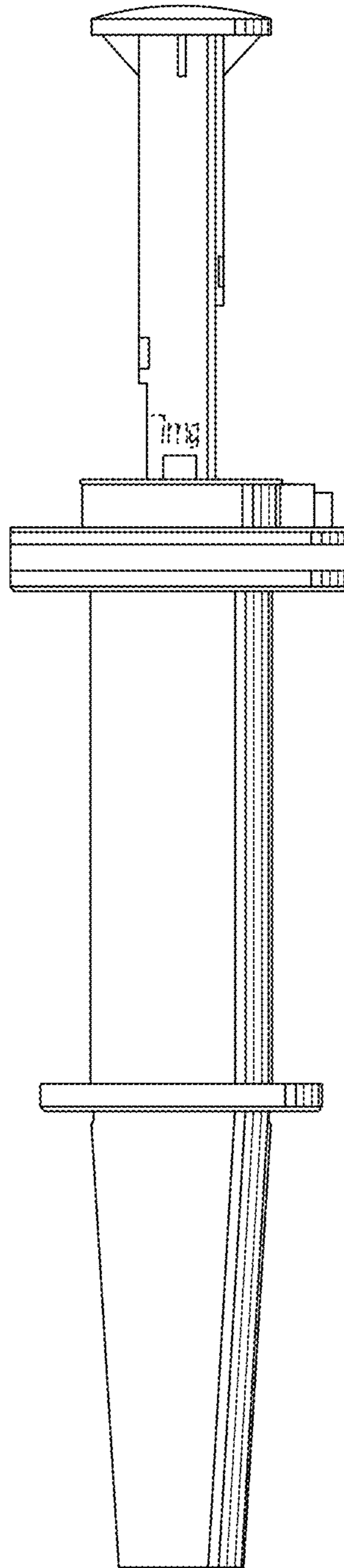


FIG. 7

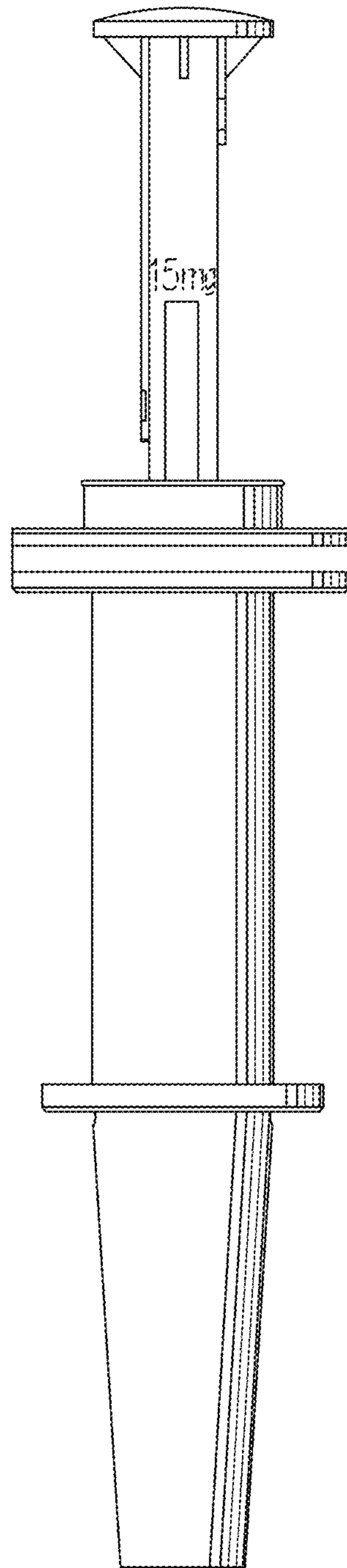


FIG. 8

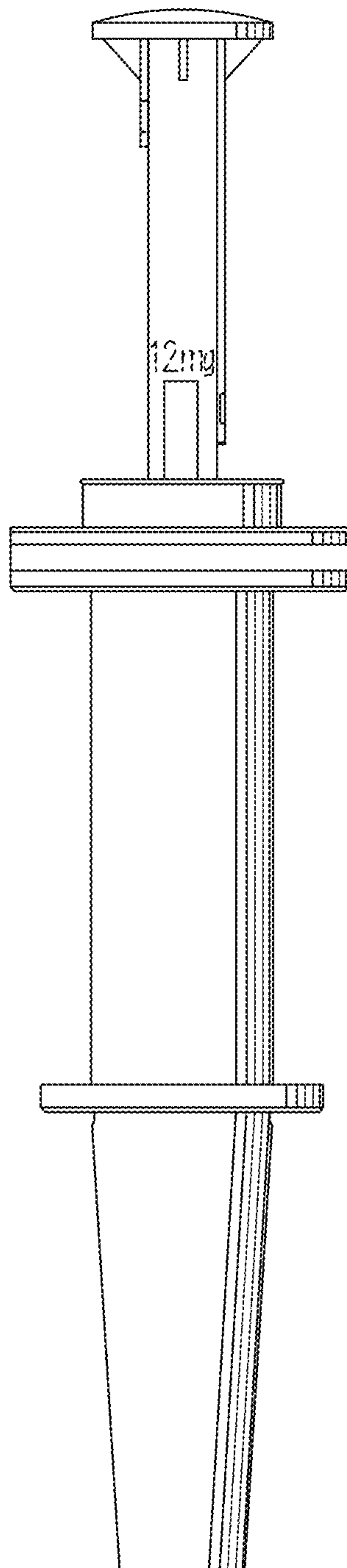


FIG. 9

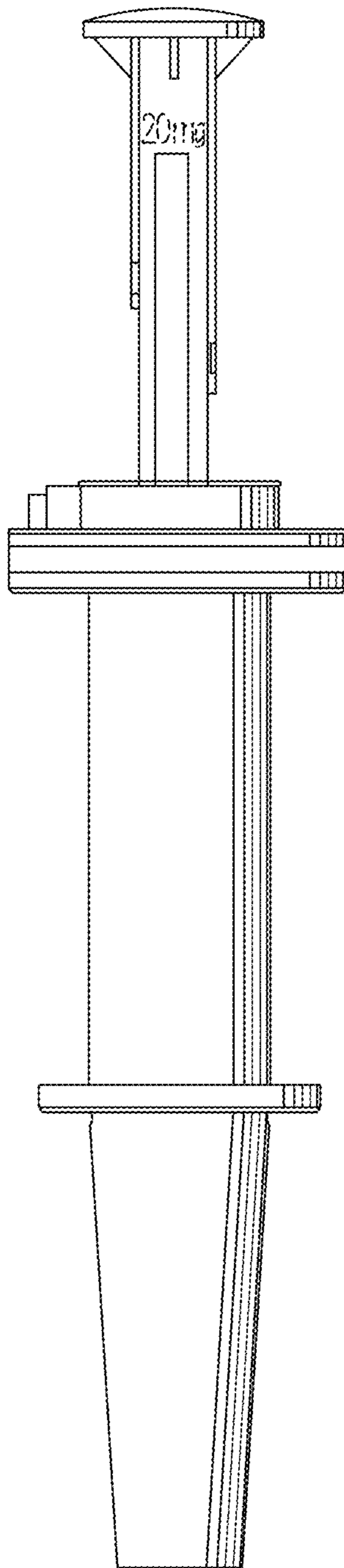


FIG. 10