



US00D823458S

(12) **United States Design Patent** (10) **Patent No.:** **US D823,458 S**  
**Shaw et al.** (45) **Date of Patent:** **\*\* Jul. 17, 2018**

(54) **BLOOD COLLECTION TUBE HOLDER**

(71) Applicants: **Retractable Technologies, Inc.**, Little Elm, TX (US); **Thomas J. Shaw**, Frisco, TX (US)

(72) Inventors: **Thomas J. Shaw**, Frisco, TX (US); **Mark Small**, Heavener, OK (US)

(73) Assignee: **Retractable Technologies, Inc.**, Little Elm, TX (US)

(\*\*) Term: **15 Years**

(21) Appl. No.: **29/587,820**

(22) Filed: **Dec. 15, 2016**

**Related U.S. Application Data**

(63) Continuation-in-part of application No. 15/277,259, filed on Sep. 27, 2016, which is a continuation-in-part of application No. 15/202,118, filed on Jul. 5, 2016.

(51) **LOC (11) Cl.** ..... **24-02**

(52) **U.S. Cl.**  
USPC ..... **D24/112**

(58) **Field of Classification Search**  
USPC ..... D24/112-114, 108, 133, 130, 127, 186; 606/181, 185; 604/264, 272, 187, 181, 604/184, 227  
CPC ..... A61M 5/178; A61M 3/00; A61M 5/31; A61M 5/3146; A61M 5/3129; A61M 5/3148; A61M 5/315; A61M 5/20  
See application file for complete search history.

(56) **References Cited**

**U.S. PATENT DOCUMENTS**

5,810,775 A 9/1998 Shaw  
5,830,152 A \* 11/1998 Tao ..... A61B 10/0233  
600/562  
D439,975 S \* 4/2001 Wilkinson ..... D24/130

D484,976 S \* 1/2004 Wilkinson ..... D24/130  
D506,549 S \* 6/2005 Woods ..... D24/130  
RE39,107 E 5/2006 Shaw  
RE40,755 E \* 6/2009 McWethy ..... D24/130  
D604,839 S \* 11/2009 Crawford ..... D24/130  
D613,398 S \* 4/2010 Crawford ..... D24/130  
D627,065 S \* 11/2010 Ade ..... D24/130  
D645,962 S 9/2011 Shaw et al.  
D651,308 S \* 12/2011 Crawford ..... D24/130  
D660,420 S \* 5/2012 Shaw ..... D24/130  
8,489,927 B2 6/2013 Shaw et al.  
8,496,600 B2 7/2013 Shaw et al.  
D715,428 S \* 10/2014 Baid ..... D24/130  
9,125,600 B2 \* 9/2015 Steube ..... A61B 5/1411  
9,247,899 B2 2/2016 Shaw et al.  
D766,426 S \* 9/2016 Hamann ..... D24/114

\* cited by examiner

*Primary Examiner* — David Muller

(74) *Attorney, Agent, or Firm* — Ross Barnes LLP; Monty L. Ross

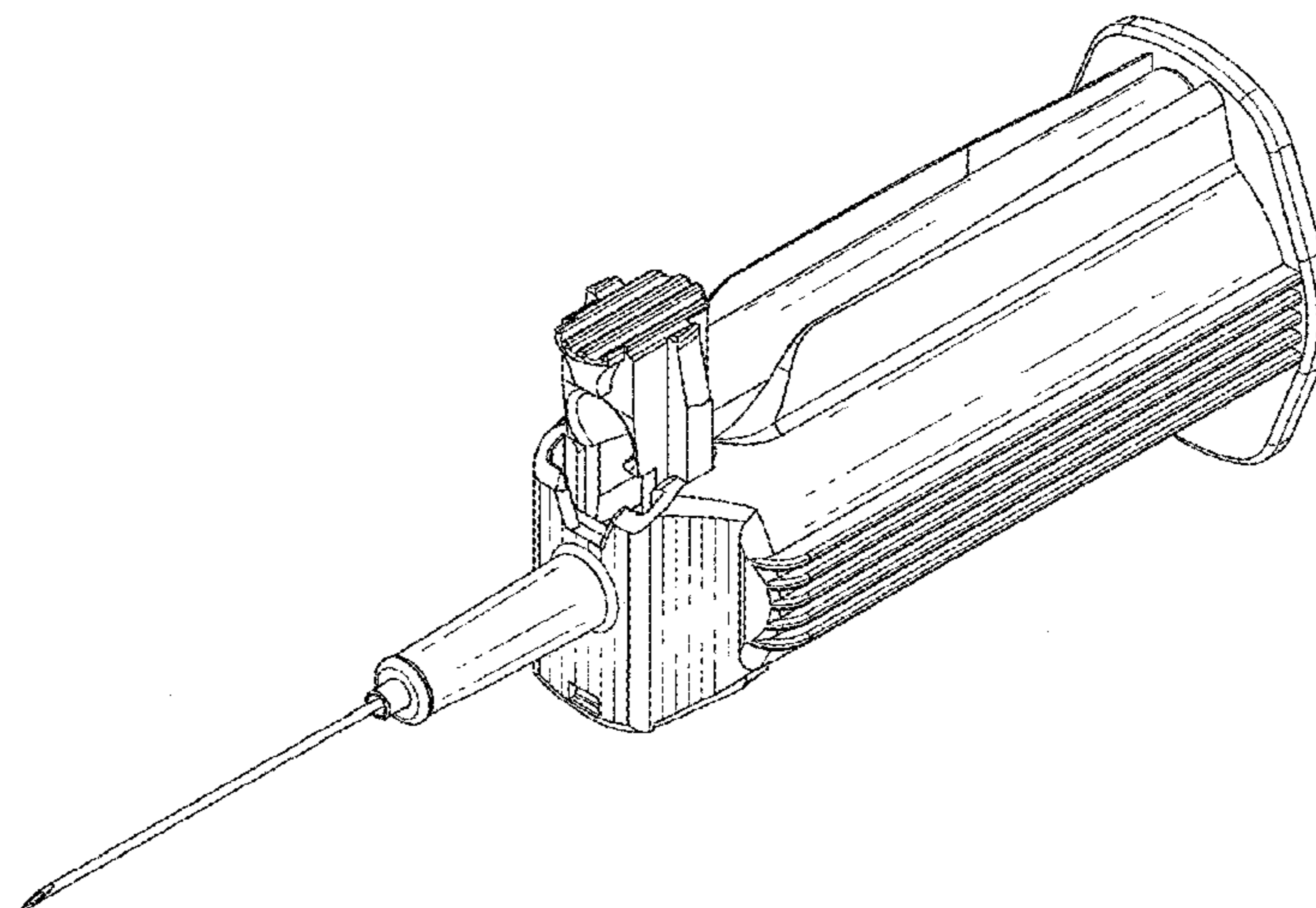
(57) **CLAIM**

We claim the ornamental design for a blood collection tube holder, as shown and described.

**DESCRIPTION**

FIG. 1 is a front perspective view of a blood collection tube holder;  
FIG. 2 is a rear perspective view thereof;  
FIG. 3 is a top plan view thereof;  
FIG. 4 is a bottom plan view thereof;  
FIG. 5 is a front elevation view thereof;  
FIG. 6 is a rear elevation view thereof; and,  
FIG. 7 is a right side elevation view thereof.  
The left side elevation view is a mirror image of the right side.  
The broken line showing of parts of the drawings is included for the purpose of illustrating use and environment and forms no part of the claimed design.

**1 Claim, 5 Drawing Sheets**



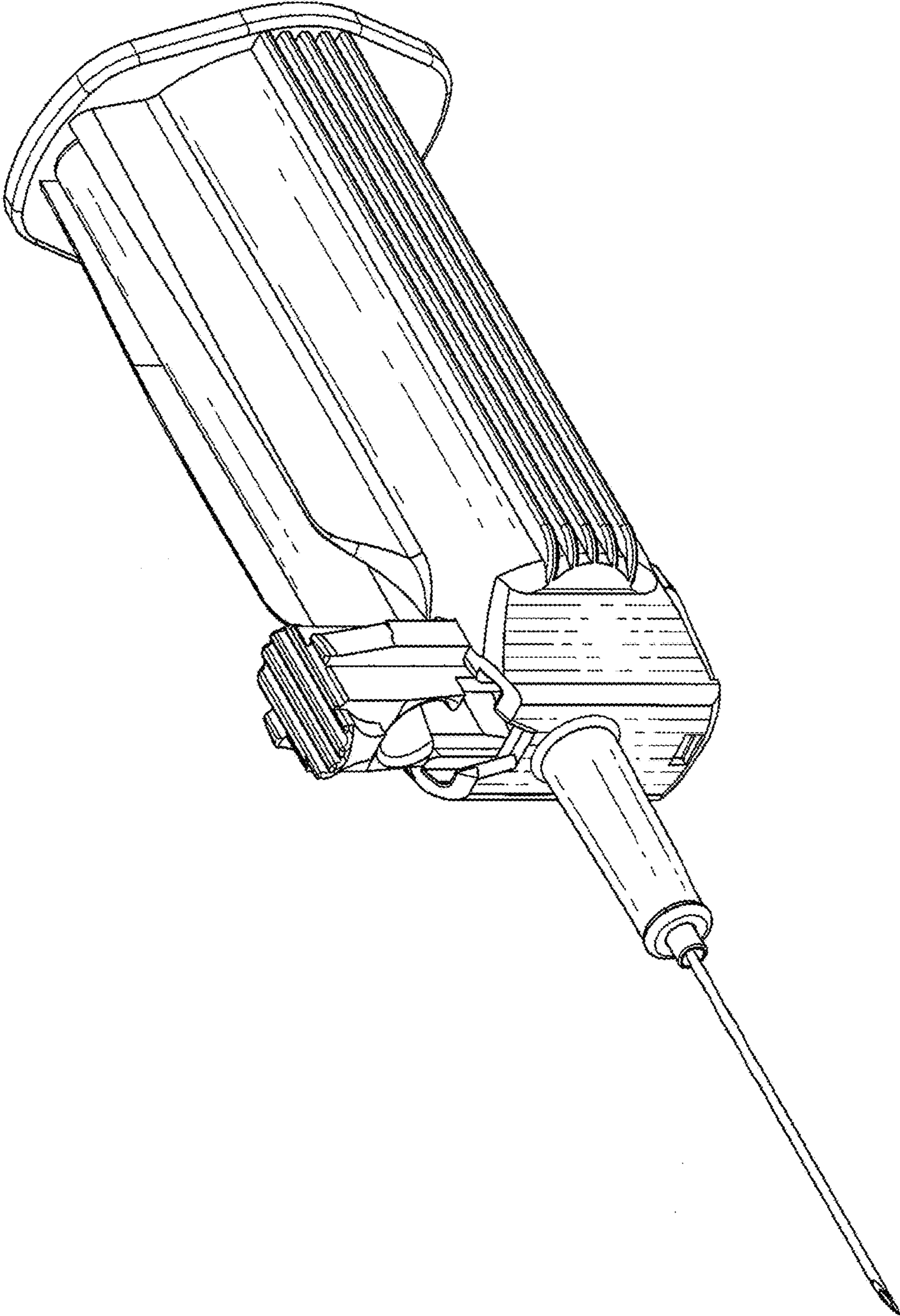


FIG. 1

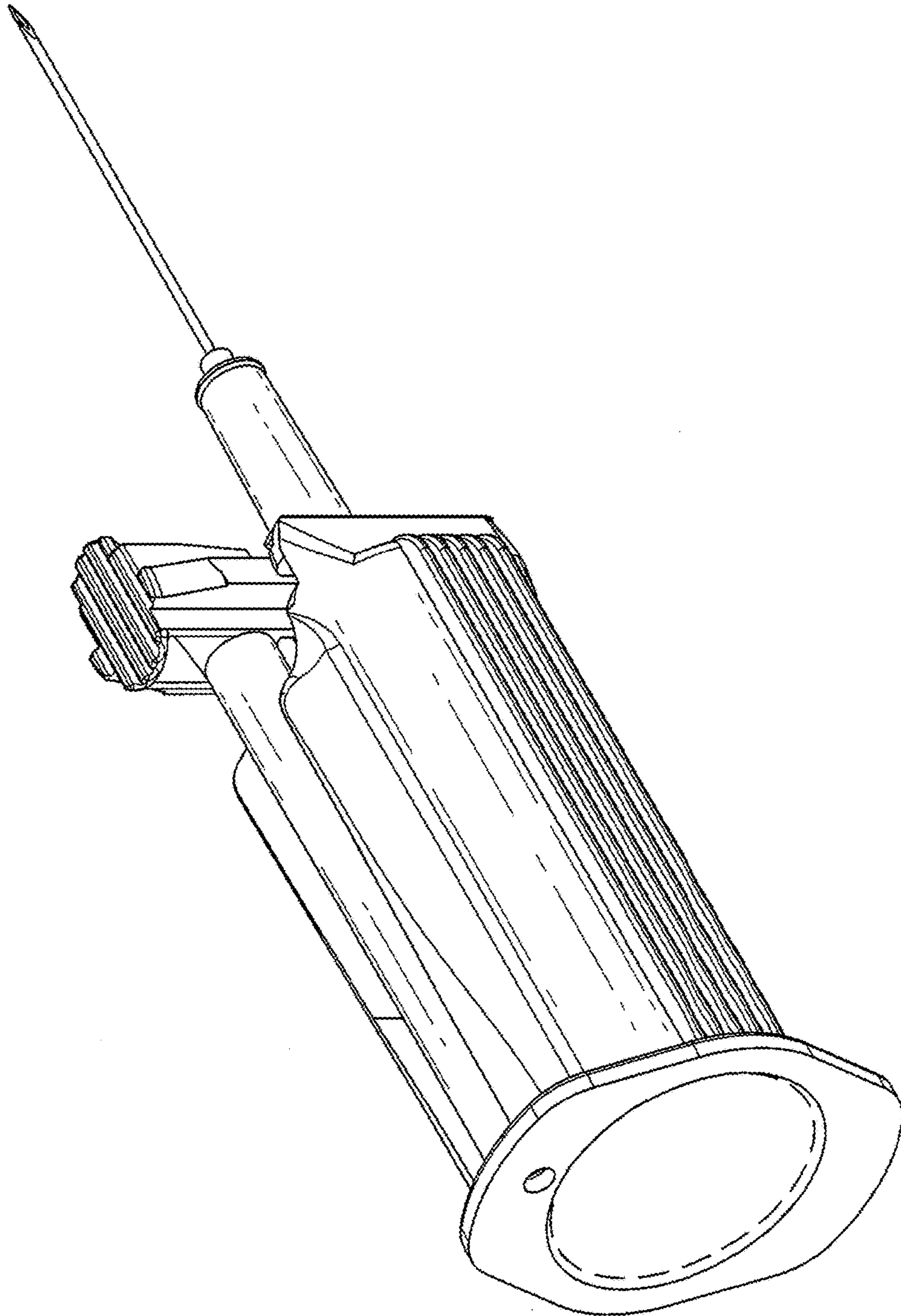


FIG. 2



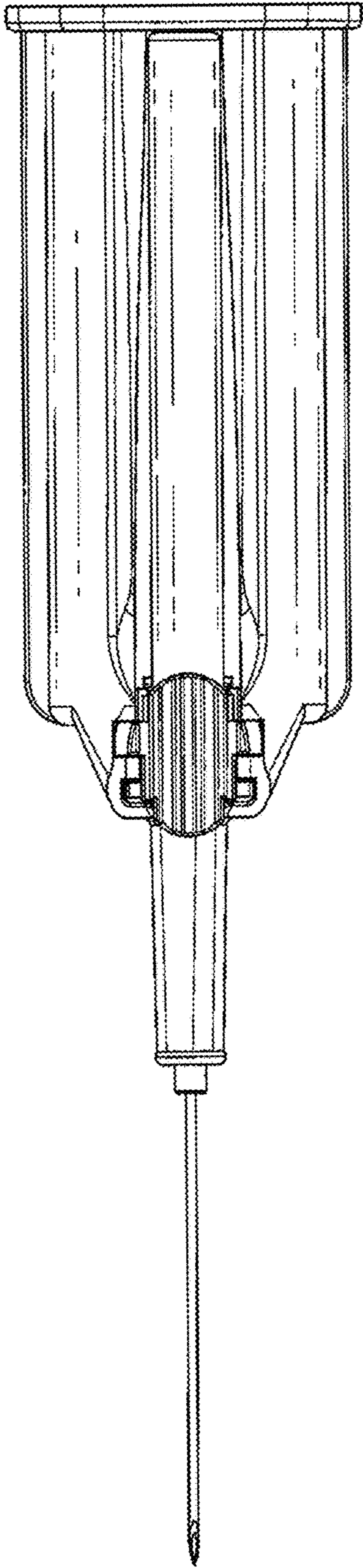


FIG. 3

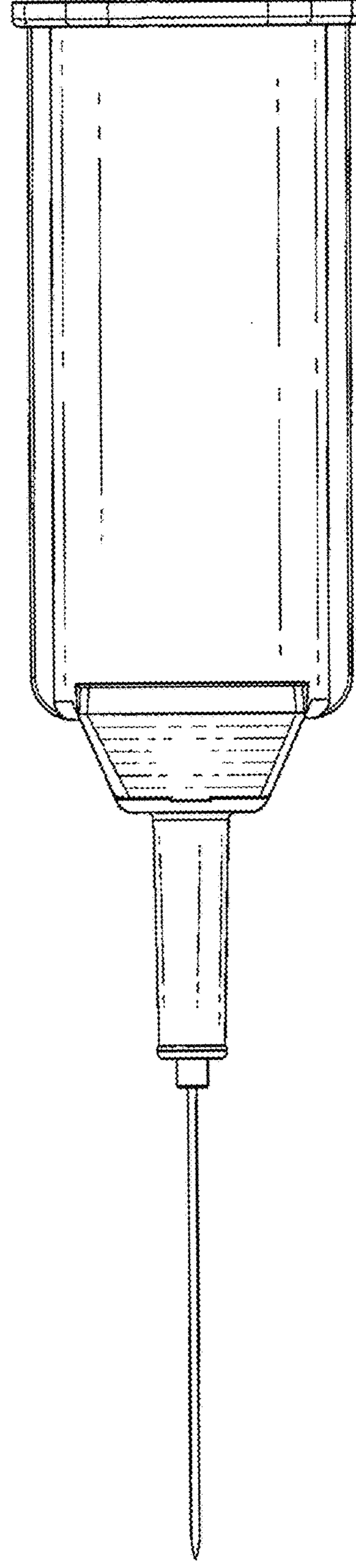
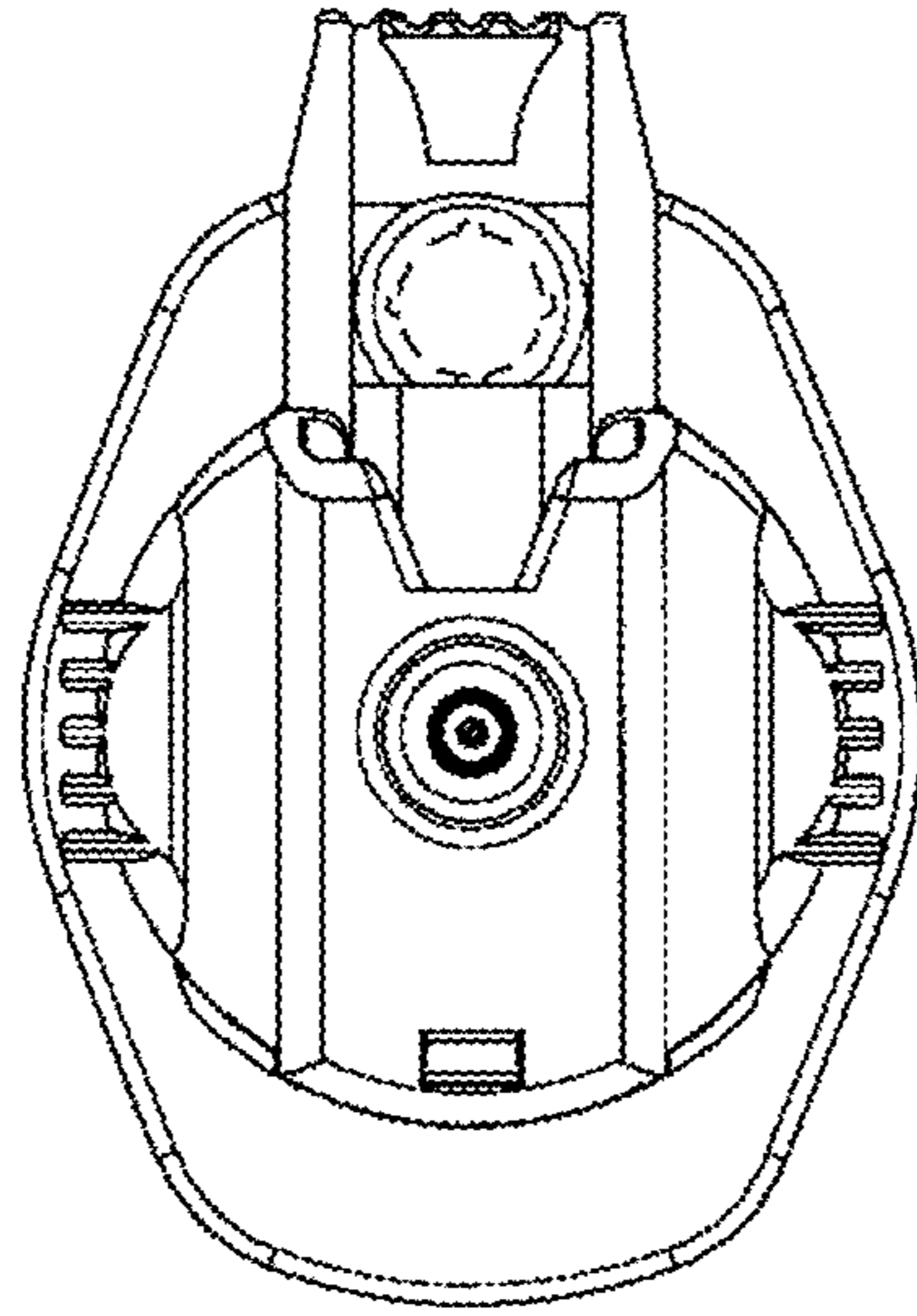
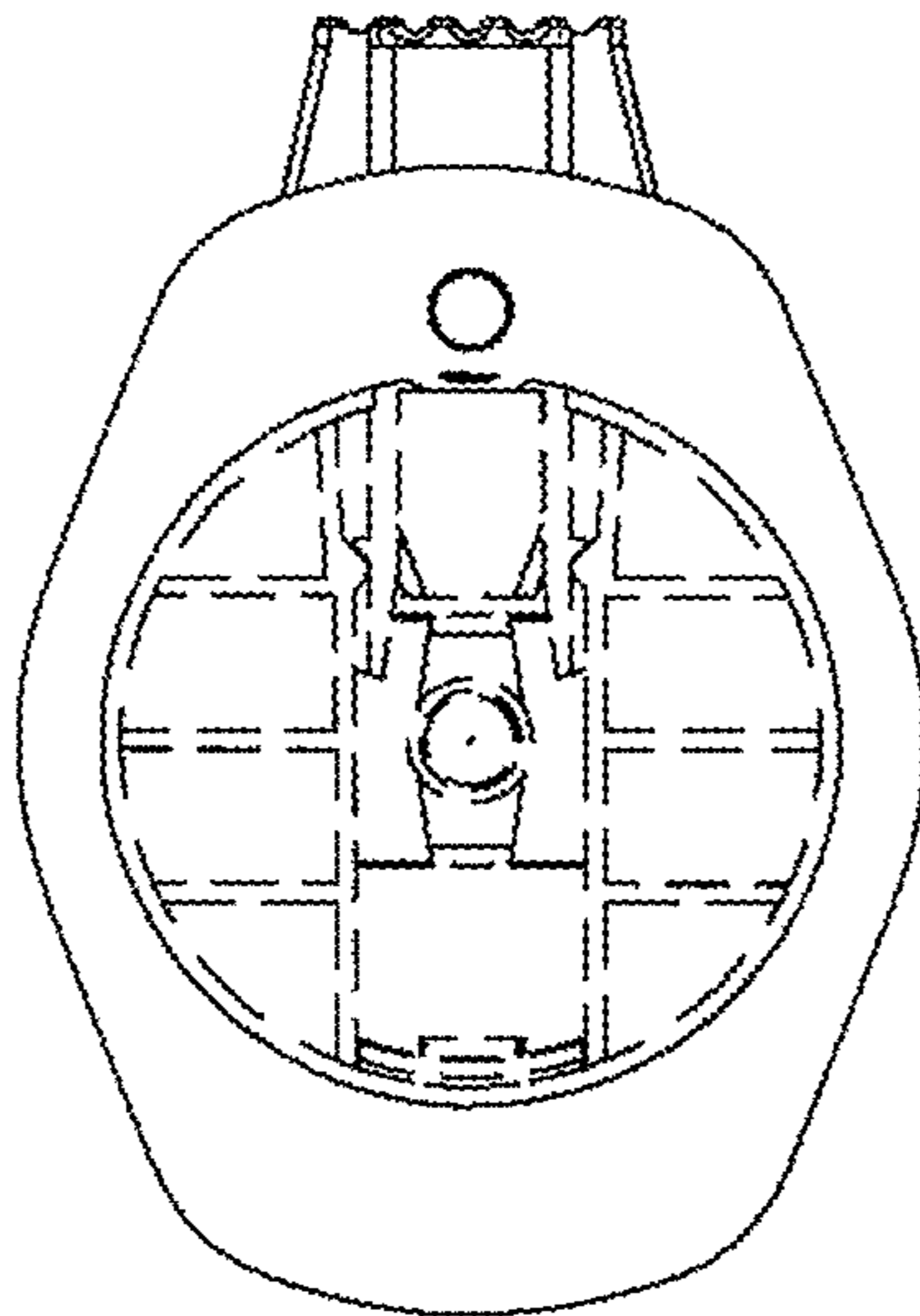


FIG. 4



*FIG. 5*



*FIG. 6*

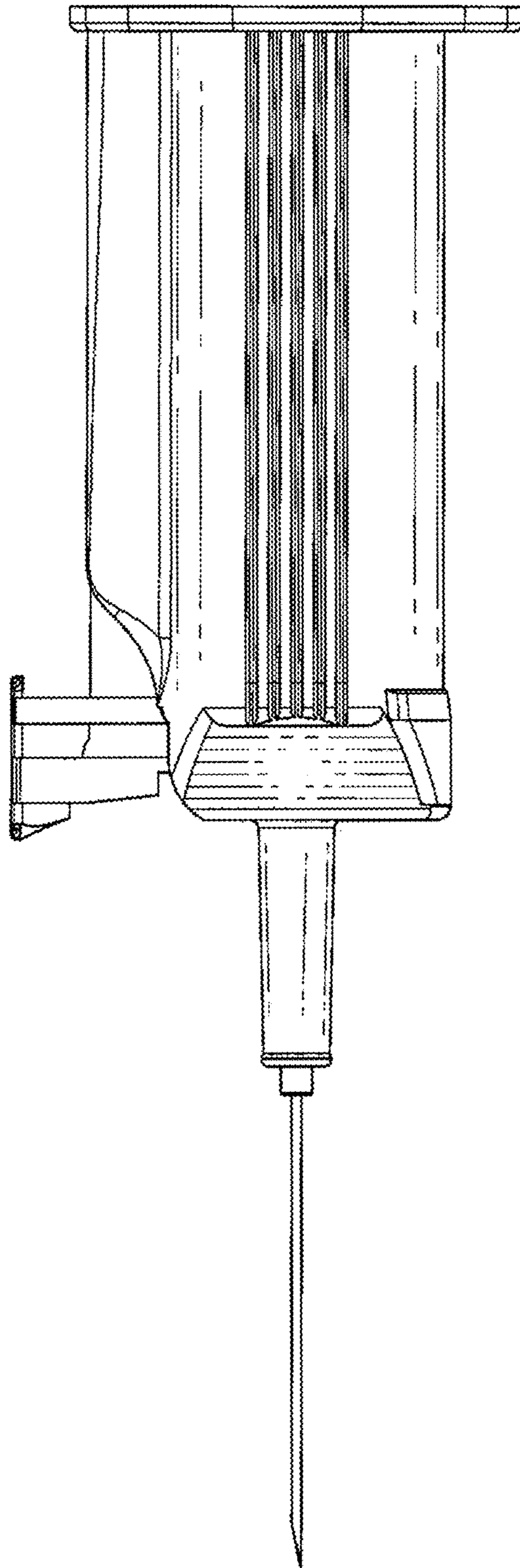


FIG. 7