



US00D823456S

(12) **United States Design Patent**
Lacy et al.

(10) **Patent No.:** **US D823,456 S**
(45) **Date of Patent:** **** Jul. 17, 2018**

- (54) **CONTROL PANEL FOR INFUSION PUMP**
- (71) Applicant: **Smiths Medical ASD, Inc.**, Plymouth, MN (US)
- (72) Inventors: **Christopher Lacy**, Arden Hills, MN (US); **Nancy Bayer**, Arden Hills, MN (US); **Grant Adams**, Anoka, MN (US); **John Kimber**, Blaine, MN (US); **Steven Plager**, Eden Prairie, MN (US); **Jennifer Tsai**, Stillwater, MN (US)
- (73) Assignee: **Smiths Medical ASD, Inc.**, Plymouth, MN (US)

- D363,468 S * 10/1995 Mieki D14/342
- D367,527 S 2/1996 Marston et al.
- D367,528 S 2/1996 Marston et al.
- D390,654 S 2/1998 Alsberg et al.
- D435,021 S * 12/2000 Davis D13/162
- D474,837 S * 5/2003 Gillespie, Jr. D14/371
- D586,463 S 2/2009 Evans et al.
- D669,096 S * 10/2012 Katsura D15/7
- D679,379 S 4/2013 Katsura
- 8,499,108 B2 7/2013 Edwards et al.
- D691,259 S * 10/2013 Estes D24/111
- 9,008,803 B2 4/2015 Blomquist
- D730,514 S 5/2015 Boaz et al.
- 9,314,566 B2 4/2016 Wenger et al.
- D761,741 S * 7/2016 Santiago D13/162
- D765,832 S 9/2016 Hochman et al.
- D766,204 S * 9/2016 Takahata D14/159
- 9,446,186 B2 * 9/2016 Estes A61M 5/14244
- D777,119 S * 1/2017 Lin D13/164
- D787,504 S * 5/2017 Hillman D14/341

(**) Term: **15 Years**
(21) Appl. No.: **29/586,520**

(22) Filed: **Dec. 5, 2016**
(51) **LOC (11) Cl.** **24-02**
(52) **U.S. Cl.**
USPC **D24/111**
(58) **Field of Classification Search**
USPC D13/162, 164; D15/7-9; D24/108, 111, D24/127
CPC A61M 5/142; A61M 5/14228; A61M 5/14244; A61M 5/1413; G06F 19/3468
See application file for complete search history.

(56) **References Cited**

U.S. PATENT DOCUMENTS

- 4,749,109 A 6/1988 Kamen
- 4,756,706 A 7/1988 Kerns et al.
- 4,978,335 A 12/1990 Arthur, III
- D328,952 S * 8/1992 Arioka D10/46
- D344,684 S * 3/1994 Metz D10/103
- D348,101 S * 6/1994 Poli D24/108
- 5,364,364 A 11/1994 Kasvikis et al.
- D360,259 S * 7/1995 Ijiri D24/111

FOREIGN PATENT DOCUMENTS

WO WO 2016/196098 A1 12/2016

Primary Examiner — Selina Sikder

(74) *Attorney, Agent, or Firm* — Patterson Thuent Pedersen, P.A.

(57) **CLAIM**

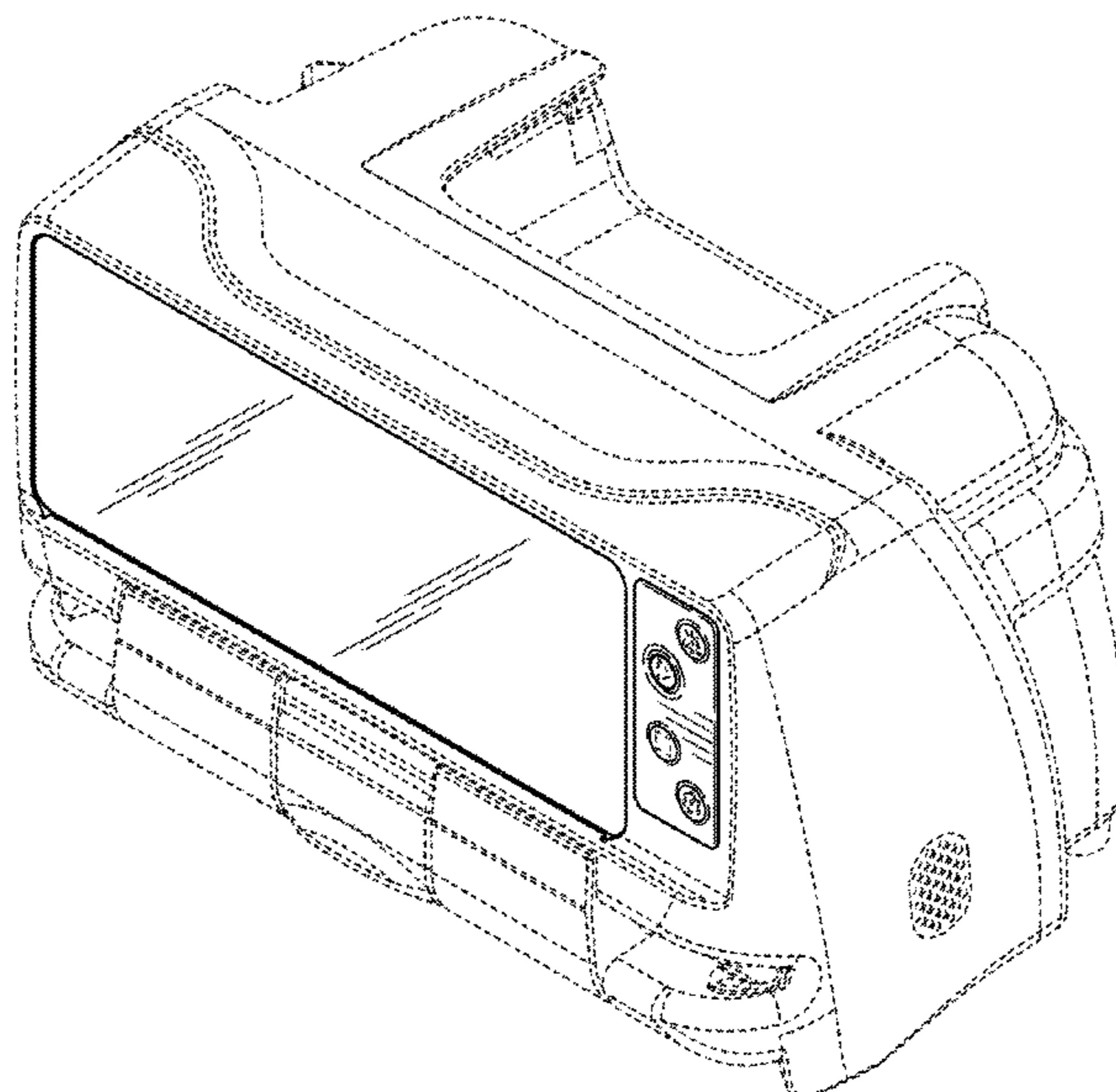
We claim the ornamental design for control panel for infusion pump, as shown and described.

DESCRIPTION

FIG. 1 is a perspective view of the control panel for infusion pump according to an embodiment of the invention; and, FIG. 2 is a front view of the control panel for infusion pump depicted in FIG. 1.

Items shown in broken lines are for illustrative purposes only and form no part of the claimed invention.

1 Claim, 2 Drawing Sheets



(56)

References Cited

U.S. PATENT DOCUMENTS

D793,346 S *	8/2017	Folk	D13/162	2009/0247982 A1	10/2009	Krulevitch et al.	
D800,717 S *	10/2017	Hillman	D14/341	2011/0040247 A1 *	2/2011	Mandro	A61M 5/142 604/66
D801,519 S	10/2017	Sabin et al.		2011/0106318 A1	5/2011	Ledford	
D803,386 S	11/2017	Sabin et al.		2011/0184383 A1	7/2011	Hasegawa	
D803,387 S	11/2017	Bodwell et al.		2012/0083760 A1 *	4/2012	Ledford	A61M 5/14 604/500
2001/0044602 A1 *	11/2001	Angersbach	A61M 5/1413 604/151	2013/0053820 A1 *	2/2013	Estes	A61M 5/1413 604/504
2002/0107476 A1 *	8/2002	Mann	A61M 5/14244 604/67	2014/1020051	7/2014	Agard et al.	
2003/0060765 A1 *	3/2003	Campbell	A61M 5/14244 604/131	2014/0249500 A1 *	9/2014	Estes	A61M 5/14244 604/504
2003/0161744 A1	8/2003	Vilks et al.		2015/0018766 A1 *	1/2015	Nakanishi	A61M 5/14228 604/151
2004/0057855 A1	3/2004	Gerlach et al.		2015/0023808 A1 *	1/2015	Zhu	F04B 39/00 417/63
2004/0167464 A1 *	8/2004	Ireland	A61M 5/14244 604/66	2015/0265768 A1	9/2015	Vazquez et al.	
2007/0073236 A1	3/2007	Merno et al.		2015/0275887 A1 *	10/2015	Koyama	F04B 43/08 417/476
2007/0167912 A1 *	7/2007	Causey	A61M 5/14244 604/131	2015/0314066 A1	11/2015	Shimzu	
2007/0179444 A1	8/2007	Causey et al.		2016/0058939 A1 *	3/2016	Brewer	A61M 5/14244 604/500
2008/0103375 A1 *	5/2008	Kiani	A61B 5/0002 600/323	2016/0228633 A1 *	8/2016	Welsch	A61M 5/142
2008/0281168 A1 *	11/2008	Gibson	A61B 5/0205 600/301	2016/0235910 A1 *	8/2016	Damiano	A61M 5/1413
2008/0294142 A1 *	11/2008	Patel	A61M 5/1413 604/506	2016/0250410 A1 *	9/2016	Traversaz	A61M 5/1415 604/152
2009/1004325	2/2009	Haylor et al.		2017/0100536 A1 *	4/2017	Estes	A61M 5/14244
2009/0069749 A1	3/2009	Miller et al.		2017/0213012 A1	7/2017	O'Scolai et al.	
				2017/0281864 A1 *	10/2017	Searle	G06F 19/3468

* cited by examiner

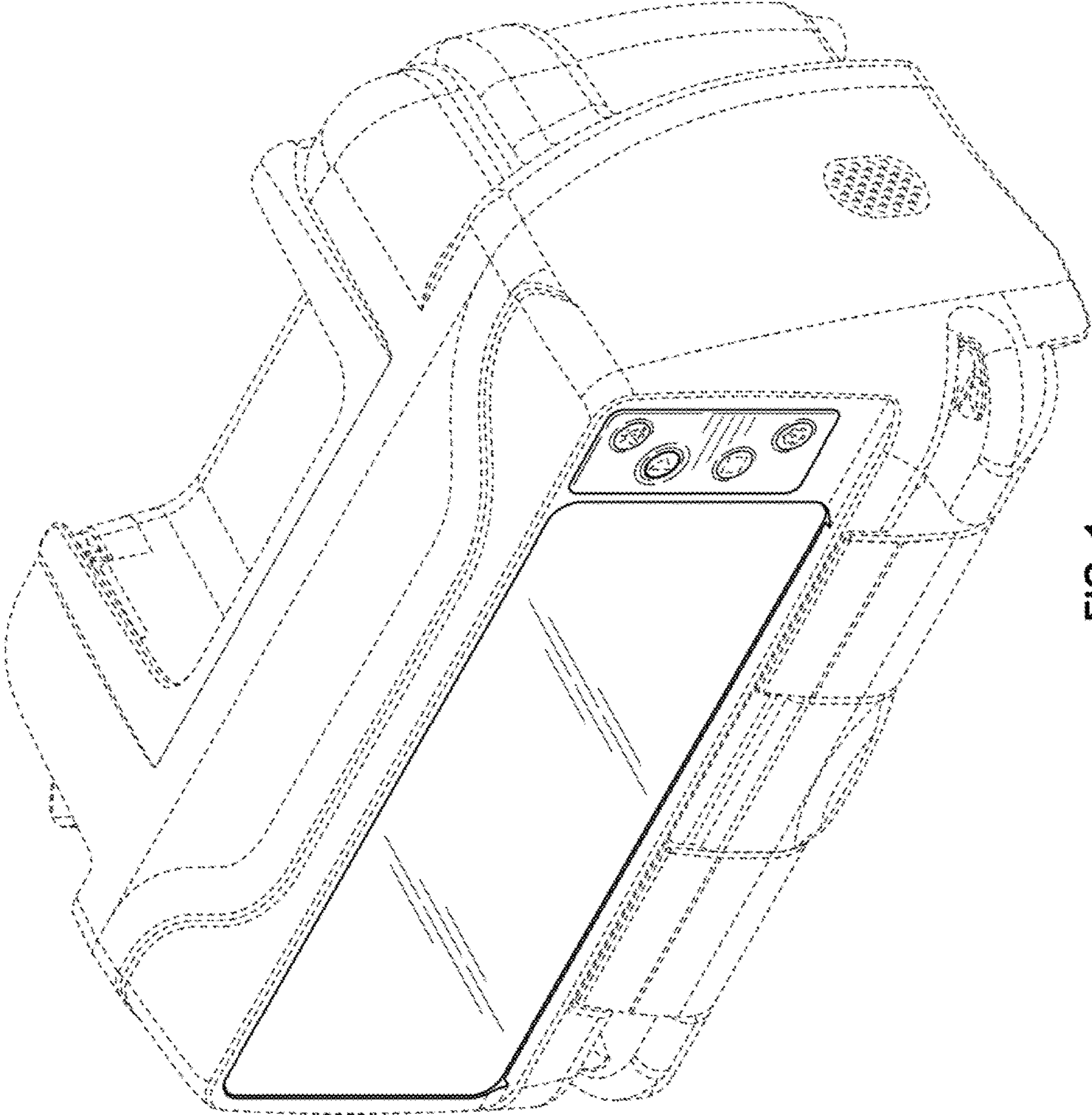


FIG. 1

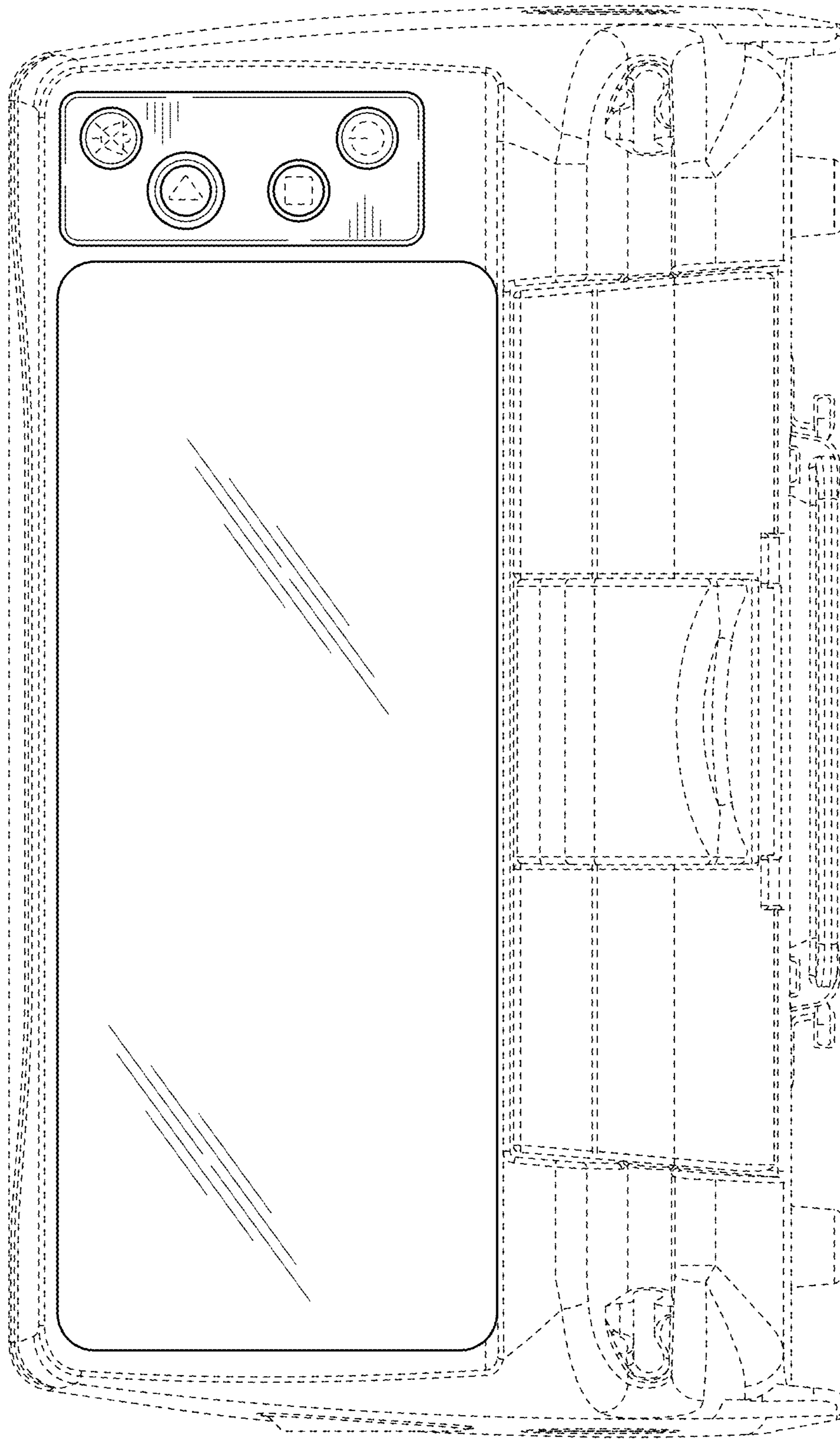


FIG. 2