



US00D823453S

(12) **United States Design Patent** (10) **Patent No.:** **US D823,453 S**
Yu (45) **Date of Patent:** **** Jul. 17, 2018**

(54) **FAN GRILL**
(71) Applicant: **Steven Yu**, City Of Industry, CA (US)
(72) Inventor: **Steven Yu**, City Of Industry, CA (US)
(**) Term: **15 Years**
(21) Appl. No.: **29/564,629**
(22) Filed: **May 13, 2016**
(51) **LOC (11) Cl.** **23-03**
(52) **U.S. Cl.**
USPC **D23/412**
(58) **Field of Classification Search**
USPC D23/370–403, 411–418, 499; D13/179
CPC F04D 29/38; F04D 29/4206; F24H 3/0417
See application file for complete search history.

(56) **References Cited**

U.S. PATENT DOCUMENTS

D304,230 S *	10/1989	Wang	D23/386
D312,124 S *	11/1990	Coup	D23/382
D323,708 S *	2/1992	Wang	D23/382
RE34,551 E *	2/1994	Coup	F04D 29/703
				415/121.2
D398,983 S *	9/1998	Keller	D23/381
D413,664 S *	9/1999	Keller	D23/381
D424,681 S *	5/2000	Lozzio	D23/378
D424,683 S *	5/2000	Bellil	D23/381
D440,648 S *	4/2001	Lee	D23/382
D447,552 S *	9/2001	Lee	D23/382
D451,190 S *	11/2001	Chen	D23/412
D451,595 S *	12/2001	Chen	D23/382
D457,618 S *	5/2002	Lee	D23/382
D537,514 S *	2/2007	Chiang	D23/380
D538,421 S *	3/2007	Russak	D23/382
D541,929 S *	5/2007	Russak	D23/411
D605,280 S *	12/2009	Chen	D23/382
D617,440 S *	6/2010	Ching	D23/382
D663,411 S *	7/2012	Naya	D23/411

D674,476 S *	1/2013	Junkel	D23/370
D675,310 S *	1/2013	Zhu	D23/370
D680,209 S *	4/2013	Yen	D23/328
D684,681 S *	6/2013	Herbst	D23/382
D685,459 S *	7/2013	Pan	D23/370
D688,368 S *	8/2013	Ediger	D23/382
D734,845 S *	7/2015	Xu	D23/370
D755,134 S *	5/2016	Andre	D13/179
D760,370 S *	6/2016	Herbst	D23/370
D768,838 S *	10/2016	Ritch	D23/324
D776,250 S *	1/2017	Muller	D23/390
2015/0159891 A1 *	6/2015	Chan	F24F 7/007
				165/59

* cited by examiner

Primary Examiner — Cathron C Brooks

Assistant Examiner — Sharon S Oum

(74) *Attorney, Agent, or Firm* — Rabin & Berdo, P.C.

(57) **CLAIM**

The ornamental design for a fan grill, as shown and described.

DESCRIPTION

FIG. 1 is a perspective view of a fan grill showing my new design;

FIG. 2 is a front view thereof;

FIG. 3 is a rear view thereof;

FIG. 4 is a left side view thereof;

FIG. 5 is a right side view thereof;

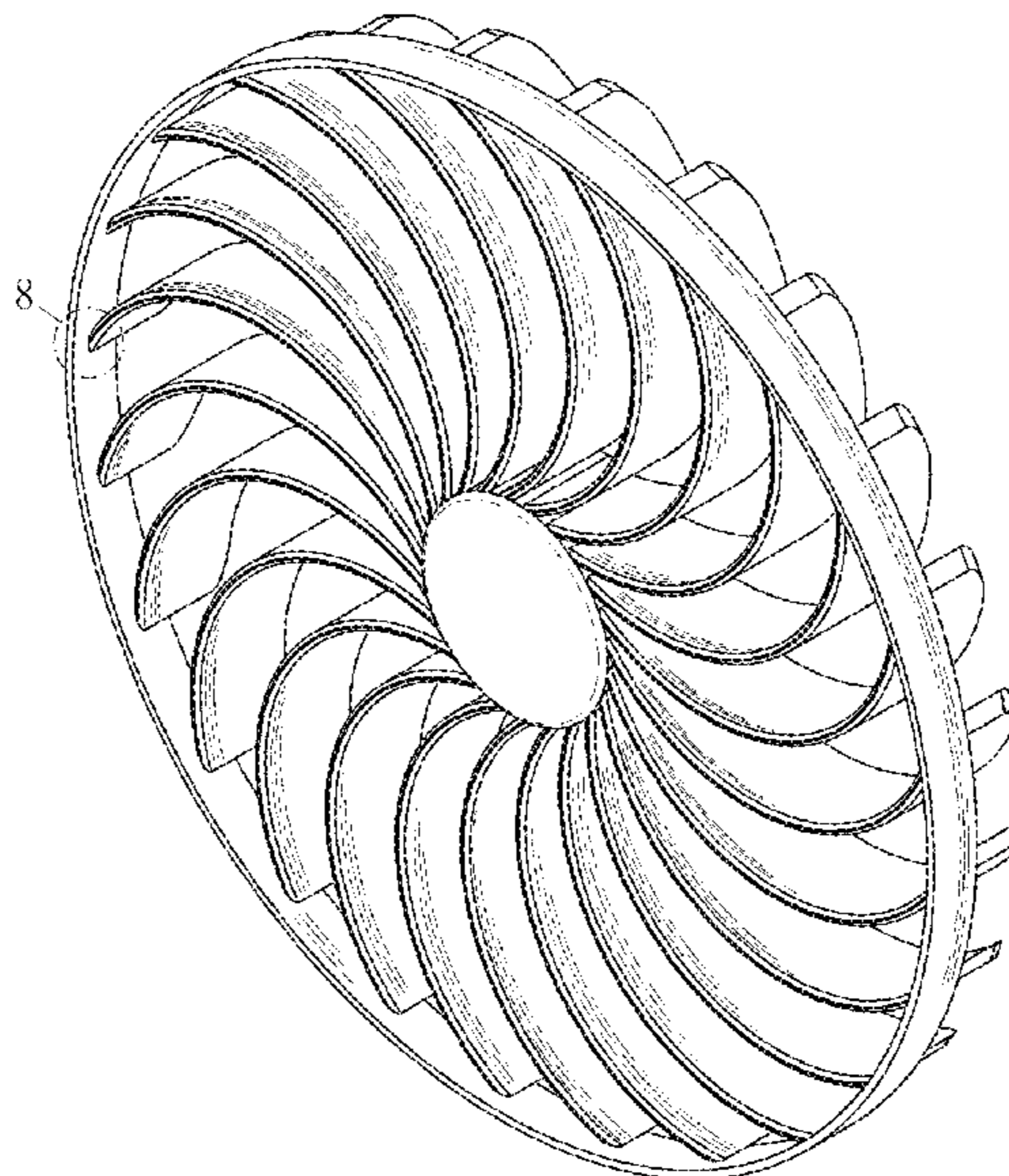
FIG. 6 is a top view thereof;

FIG. 7 is a bottom view thereof; and,

FIG. 8 is a partial enlarged view of the fan grill, taken from circle 8 of FIG. 1.

The broken lines shown in the drawings are included for the purpose of illustrating portions of the fan grill that form no part of the claimed design.

1 Claim, 6 Drawing Sheets



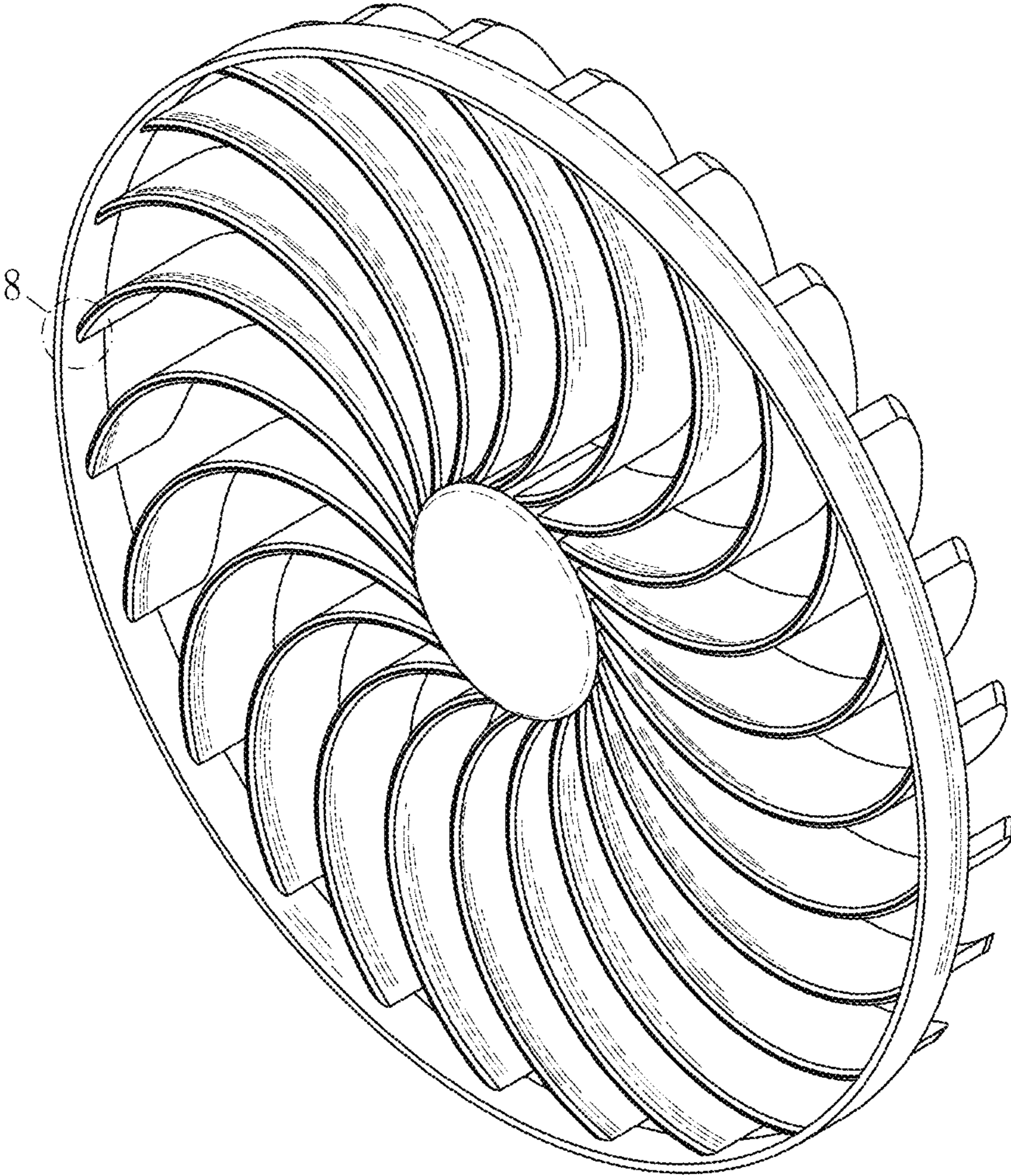


FIG. 1

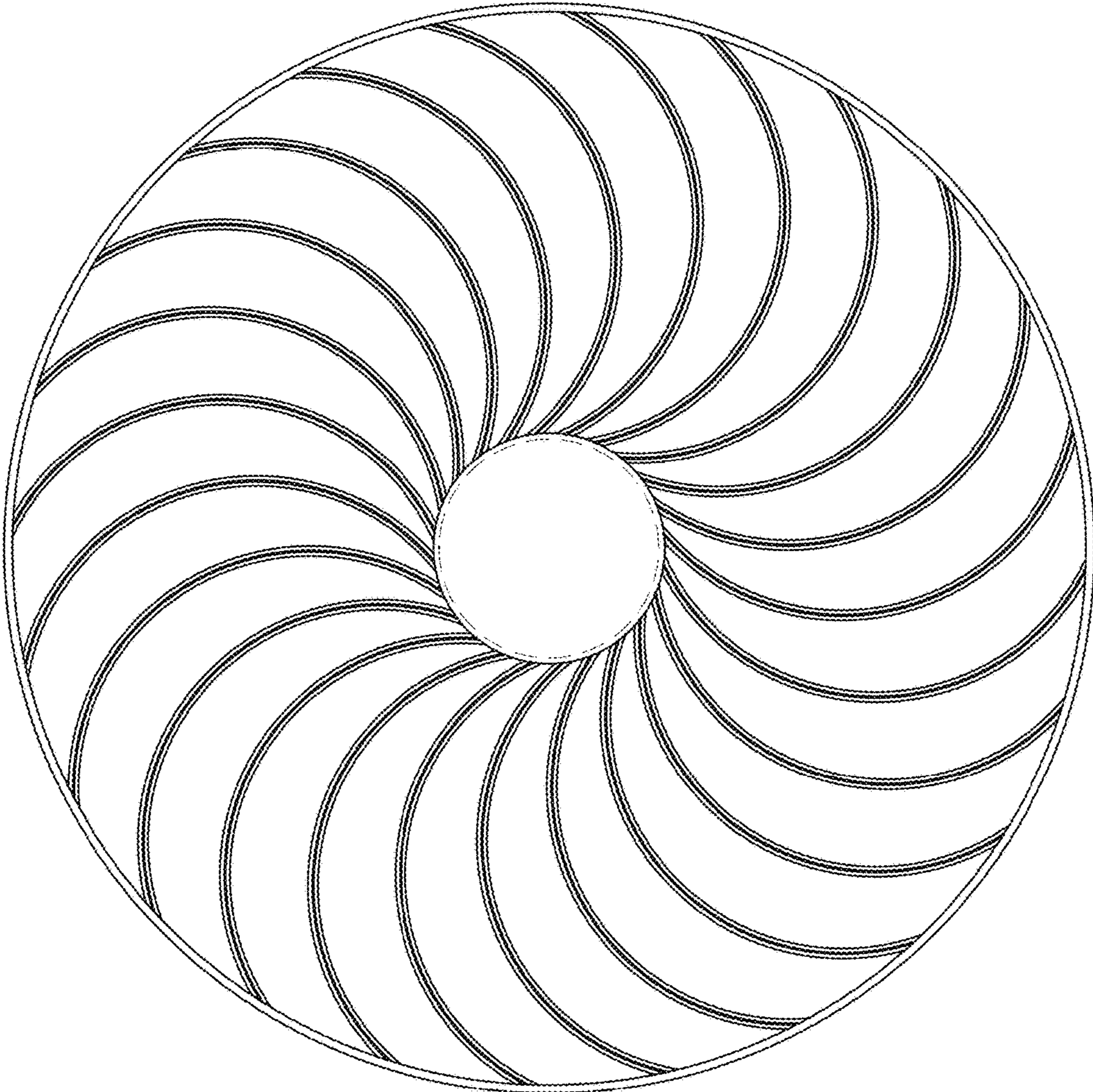


FIG. 2

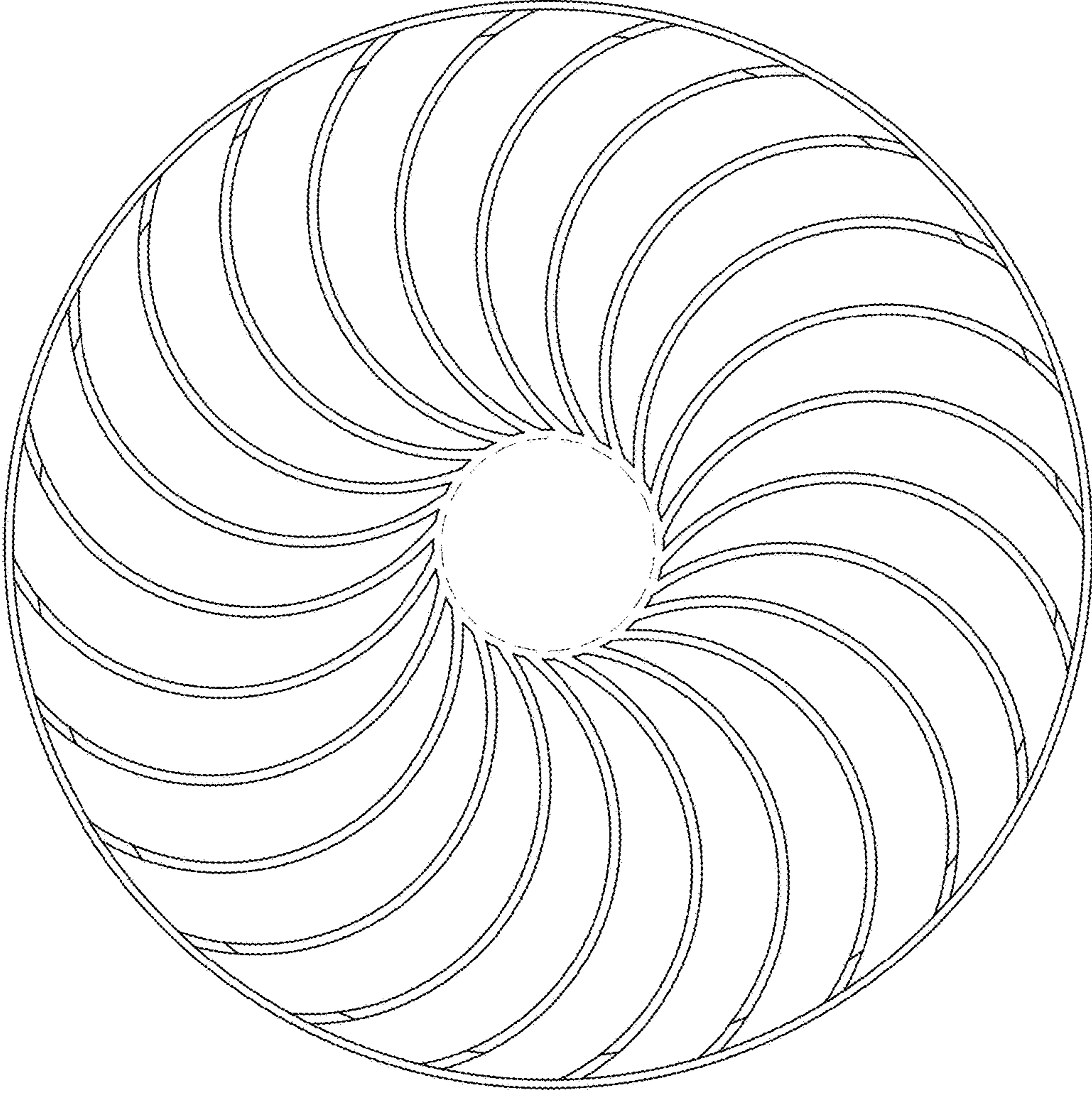


FIG. 3

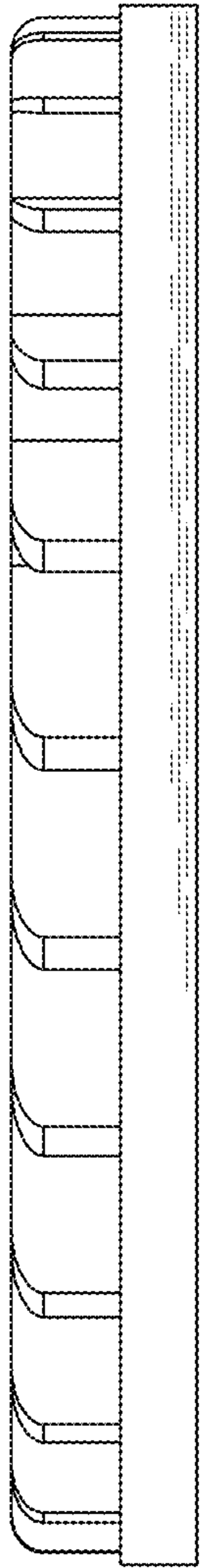


FIG. 4

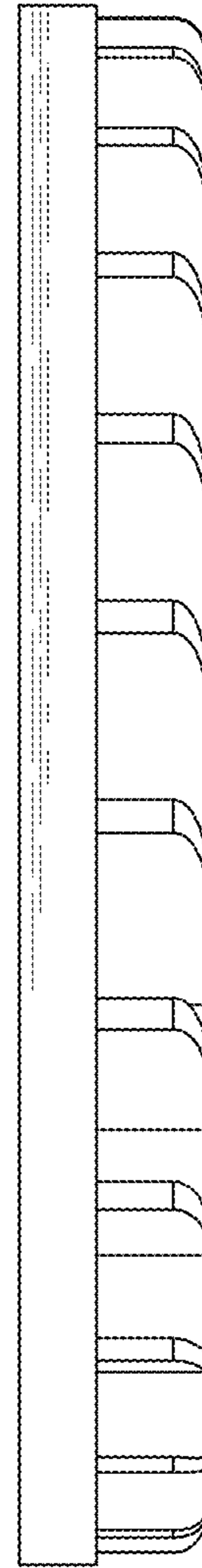


FIG. 5

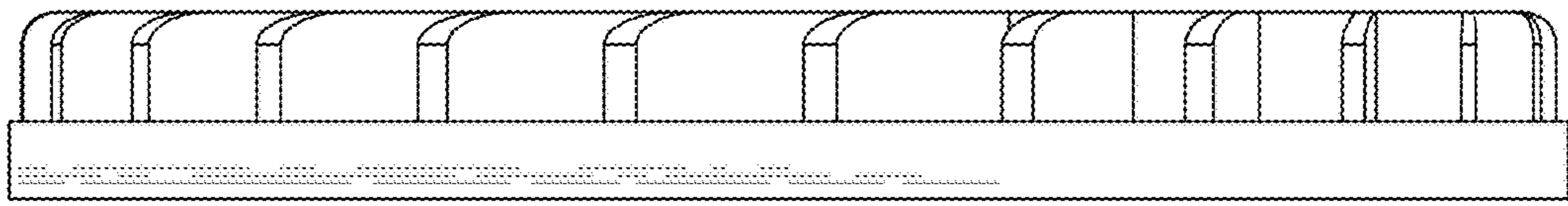


FIG. 6

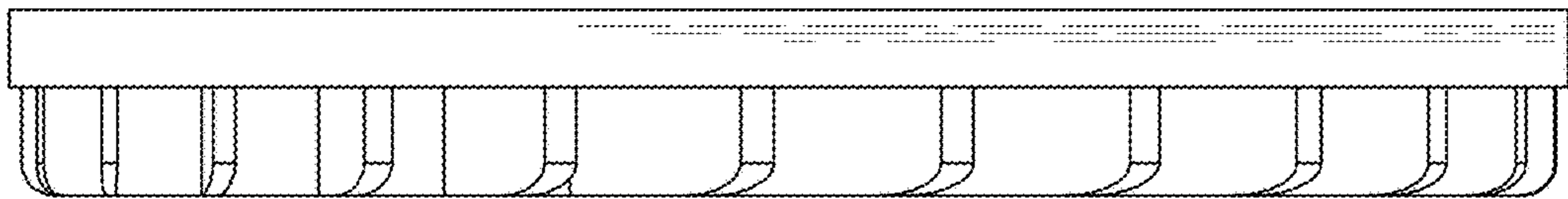


FIG. 7

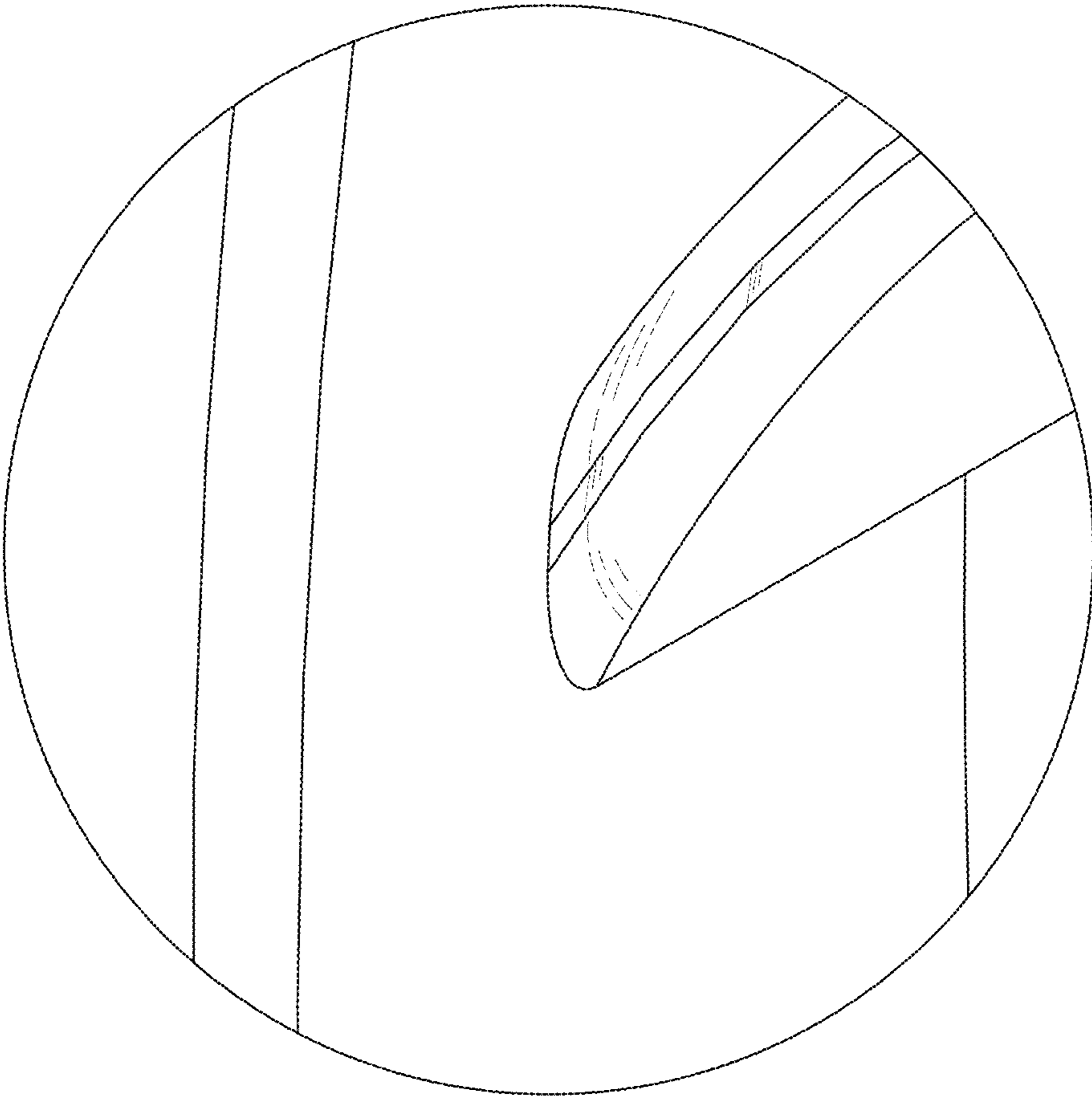


FIG. 8