



US00D823452S

(12) **United States Design Patent** (10) **Patent No.:** **US D823,452 S**
Rasmussen (45) **Date of Patent:** **** Jul. 17, 2018**

(54) **VENTILATOR BLADE**
(71) Applicant: **NOVENCO A/S**, Naestved (DK)
(72) Inventor: **Martin Rasmussen**, Naestved (DK)
(73) Assignee: **NOVENCO A/S**, Naestved (DK)
(**) Term: **15 Years**
(21) Appl. No.: **29/541,422**
(22) Filed: **Oct. 2, 2015**

6,026,330 A 2/2000 Chuang
6,238,185 B1 5/2001 Horng
D453,827 S 2/2002 Kuo et al.
D486,905 S 2/2004 Wang
D507,343 S 7/2005 Chiu et al.
D507,641 S 7/2005 Chiu et al.
D509,584 S 9/2005 Li et al.
D510,998 S 10/2005 Parker et al.
D555,782 S 11/2007 Parker et al.
D556,892 S 12/2007 Chen
D558,324 S 12/2007 Hong
D559,968 S 1/2008 Lee et al.

(Continued)

Related U.S. Application Data

(62) Division of application No. 29/484,618, filed on Mar. 11, 2014, now Pat. No. Des. 743,018, which is a division of application No. 29/466,787, filed on Sep. 11, 2013, now Pat. No. Des. 704,323, which is a division of application No. 29/439,734, filed on Dec. 14, 2012, now Pat. No. Des. 692,119, which is a division of application No. 29/426,860, filed on Jul. 11, 2012, now Pat. No. Des. 683,840, which is a division of application No. 29/359,477, filed on Apr. 12, 2010, now Pat. No. Des. 665,895.

Foreign Application Priority Data

Oct. 13, 2009 (EP) 001622945
(51) **LOC (11) Cl.** **23-04**
(52) **U.S. Cl.**
USPC **D23/379**
(58) **Field of Classification Search**
USPC D23/377, 379, 385, 411, 413; 23/379,
23/385; 416/5
CPC H02K 1/00; B21D 53/78; B21C 23/16;
B29D 99/0025; B23K 2201/001
See application file for complete search history.

References Cited

U.S. PATENT DOCUMENTS

5,320,493 A 6/1994 Shih et al.
5,624,234 A 4/1997 Neely et al.

OTHER PUBLICATIONS

Jun. 9, 2017 Office Action issued in U.S. Appl. No. 29/541,418.
Dec. 30, 2016 Office Action issued in U.S. Appl. No. 29/541,418.

Primary Examiner — Randall H Gholson
(74) *Attorney, Agent, or Firm* — Oliff PLC

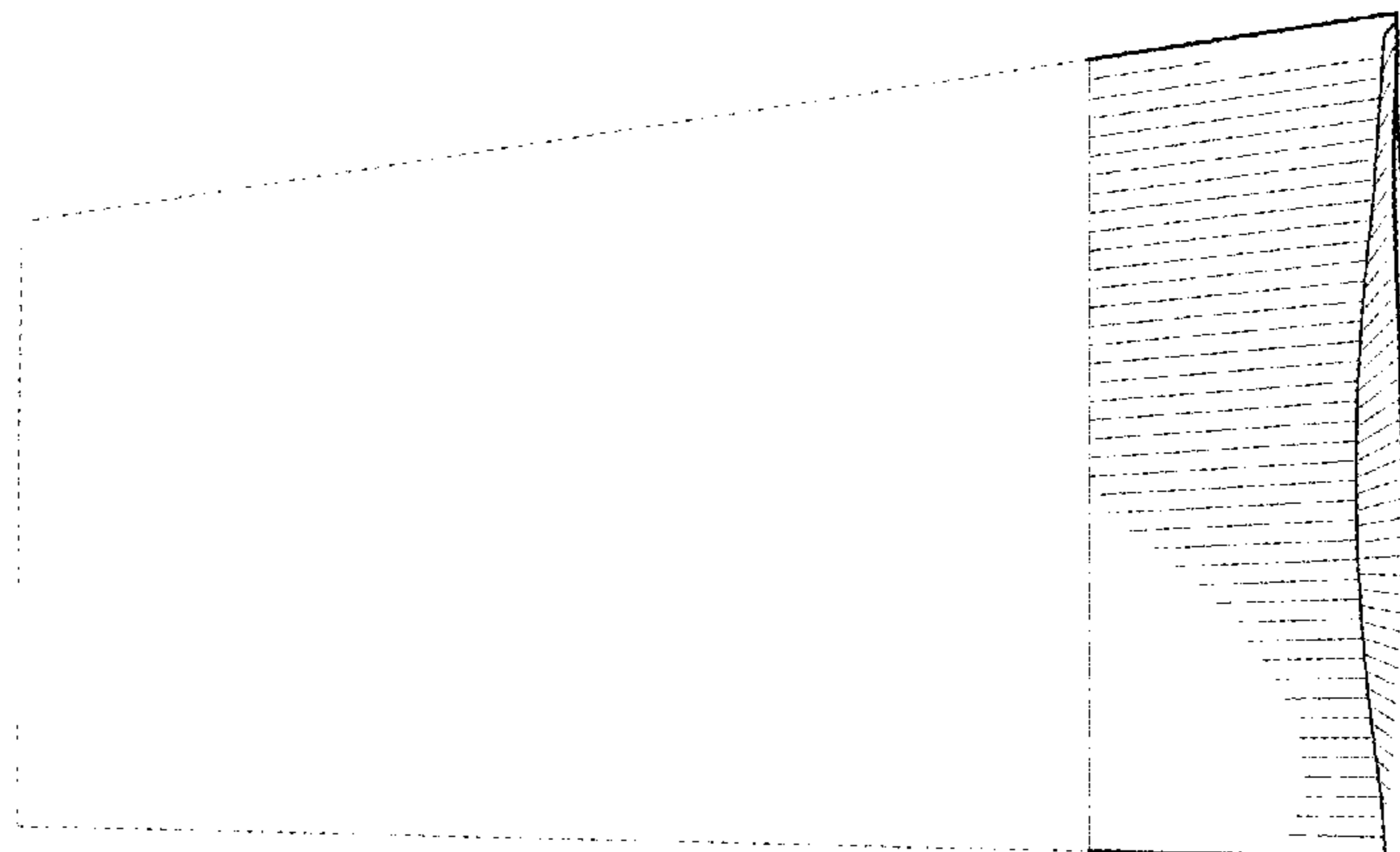
(57) **CLAIM**

The ornamental design for a ventilator blade, as shown and described.

DESCRIPTION

FIG. 1 is a front view of a ventilator blade.
FIG. 2 is a right side view of the ventilator blade.
FIG. 3 is a bottom view of the ventilator blade.
FIG. 4 is a left side view of the ventilator blade.
FIG. 5 is a top view of the ventilator blade.
FIG. 6 is a front perspective view of the ventilator blade; and,
FIG. 7 is a front, top, left side perspective view of the ventilator blade.
The broken lines immediately adjacent the claimed areas represent the bounds of the claimed design while all other broken lines are directed to environment and are for illustrative purposes only; the broken lines form no part of the claimed design.

1 Claim, 7 Drawing Sheets



(56)

References Cited

U.S. PATENT DOCUMENTS

D560,789 S	1/2008	Lee et al.
D561,888 S	2/2008	Yang et al.
D566,829 S	4/2008	Parker et al.
D570,471 S	6/2008	Iwase et al.
D570,999 S	6/2008	Harman et al.
D571,000 S	6/2008	Bei et al.
D576,265 S	9/2008	Bucher et al.
D583,461 S	12/2008	Allen
D585,130 S	1/2009	Harman et al.
D590,489 S	4/2009	Bucher et al.
D599,461 S	9/2009	Ertze
D600,340 S	9/2009	Parker et al.
7,789,126 B2	9/2010	Lofland et al.
7,850,513 B1	12/2010	Parker et al.
D632,383 S	2/2011	Kandell et al.
D633,195 S	2/2011	Stagg
D634,833 S	3/2011	Stagg
D645,134 S	9/2011	Lee et al.
8,123,475 B2	2/2012	Yang et al.
D665,895 S	8/2012	Rasmussen
D668,606 S	10/2012	Lee
D672,863 S	12/2012	Romero Carreras
D683,840 S	6/2013	Rasmussen
D692,119 S	10/2013	Rasmussen

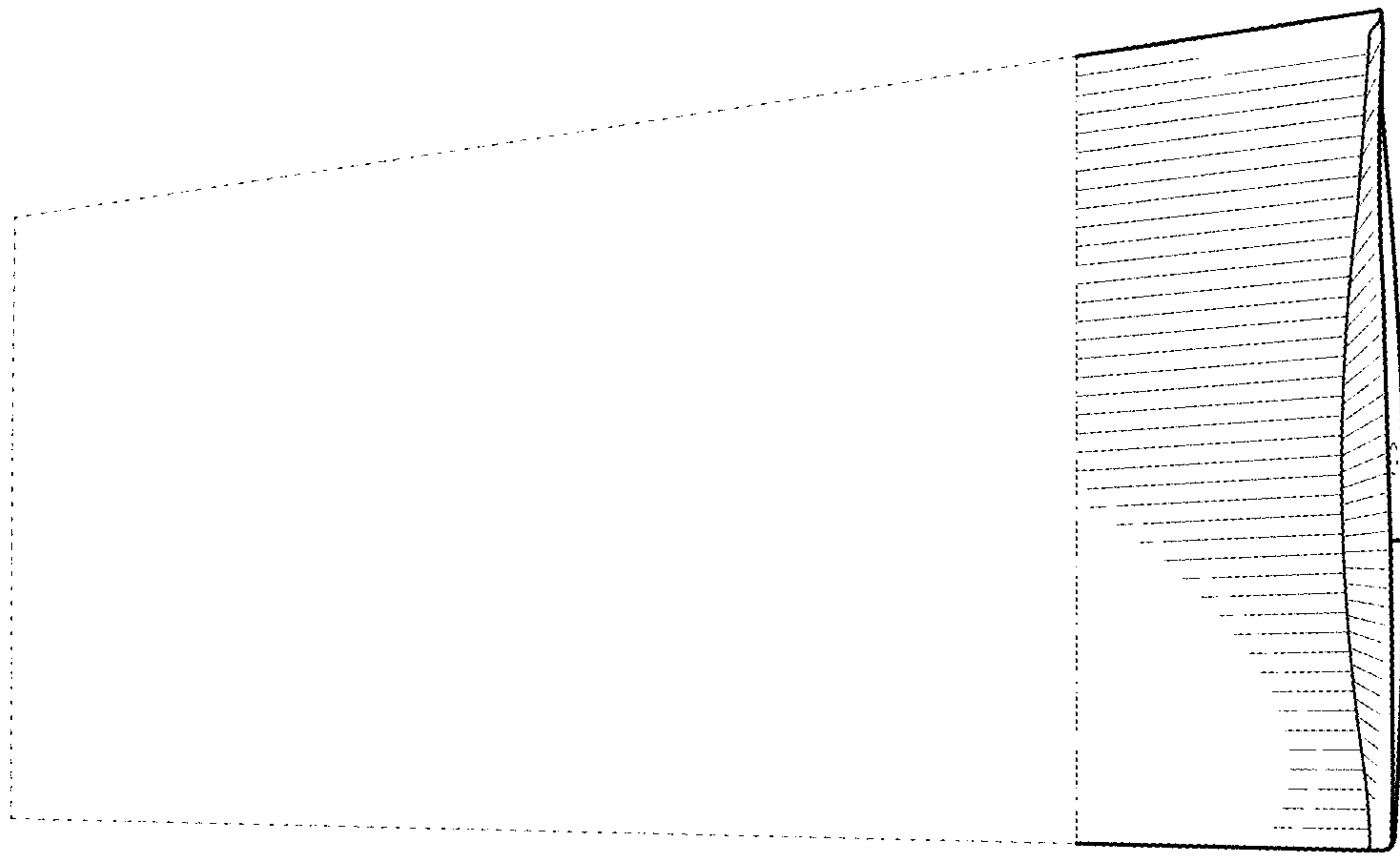


FIG. 1

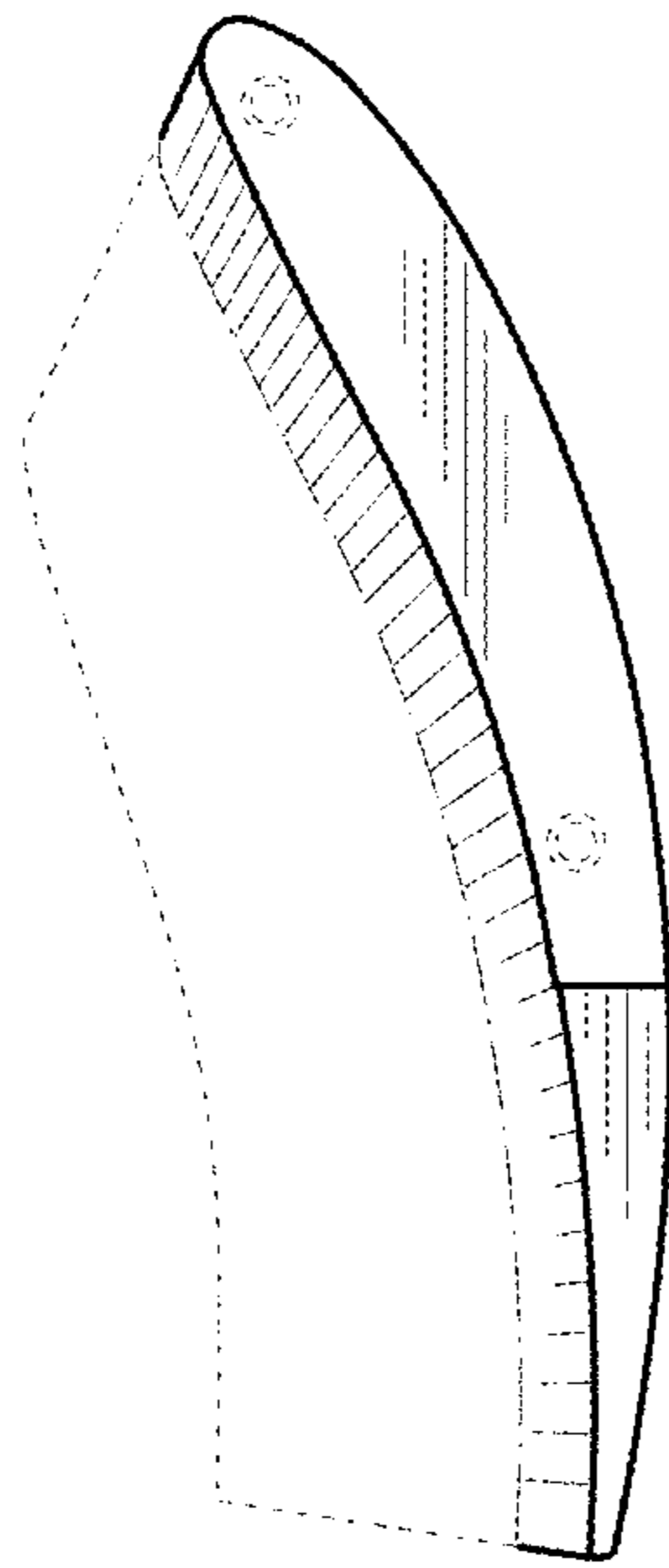


FIG. 2

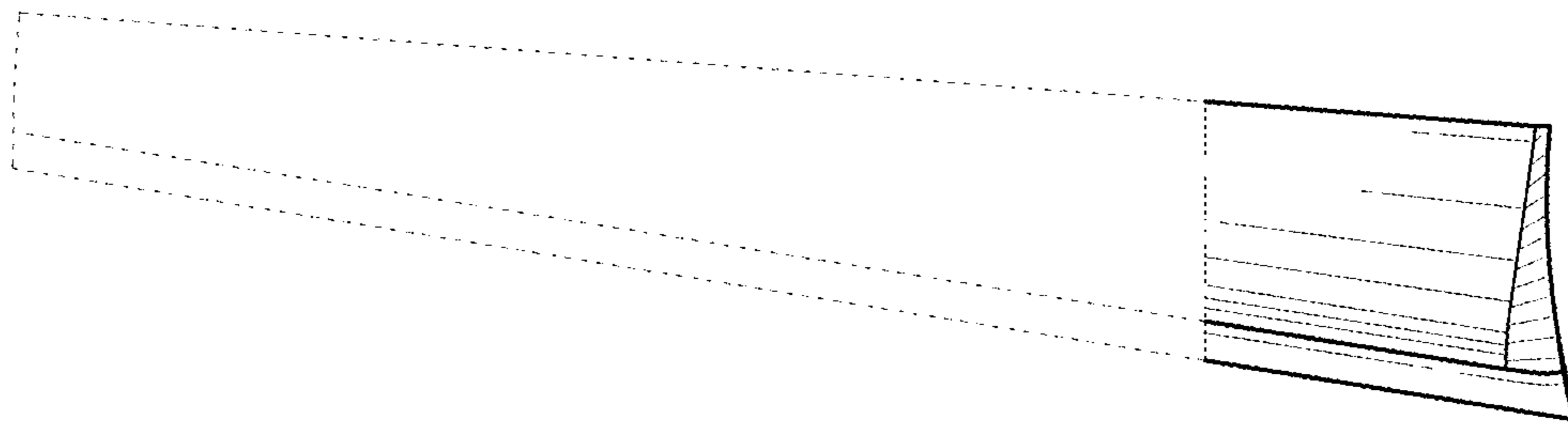


FIG. 3

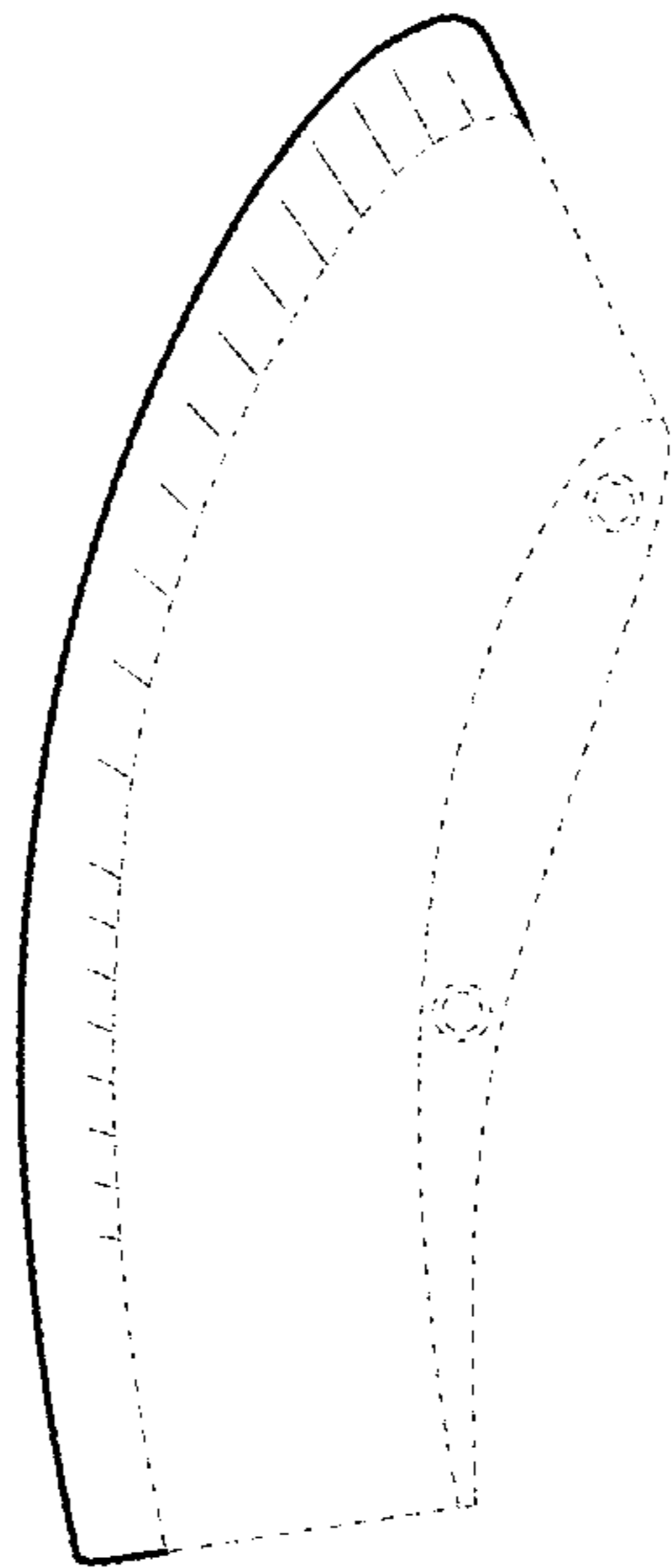


FIG. 4

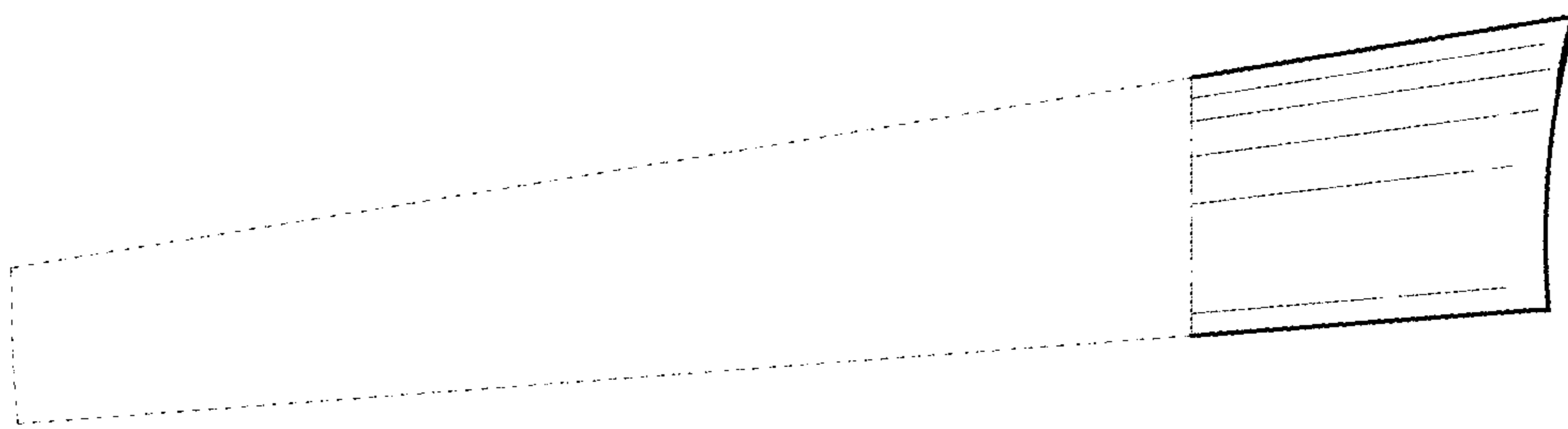


FIG. 5

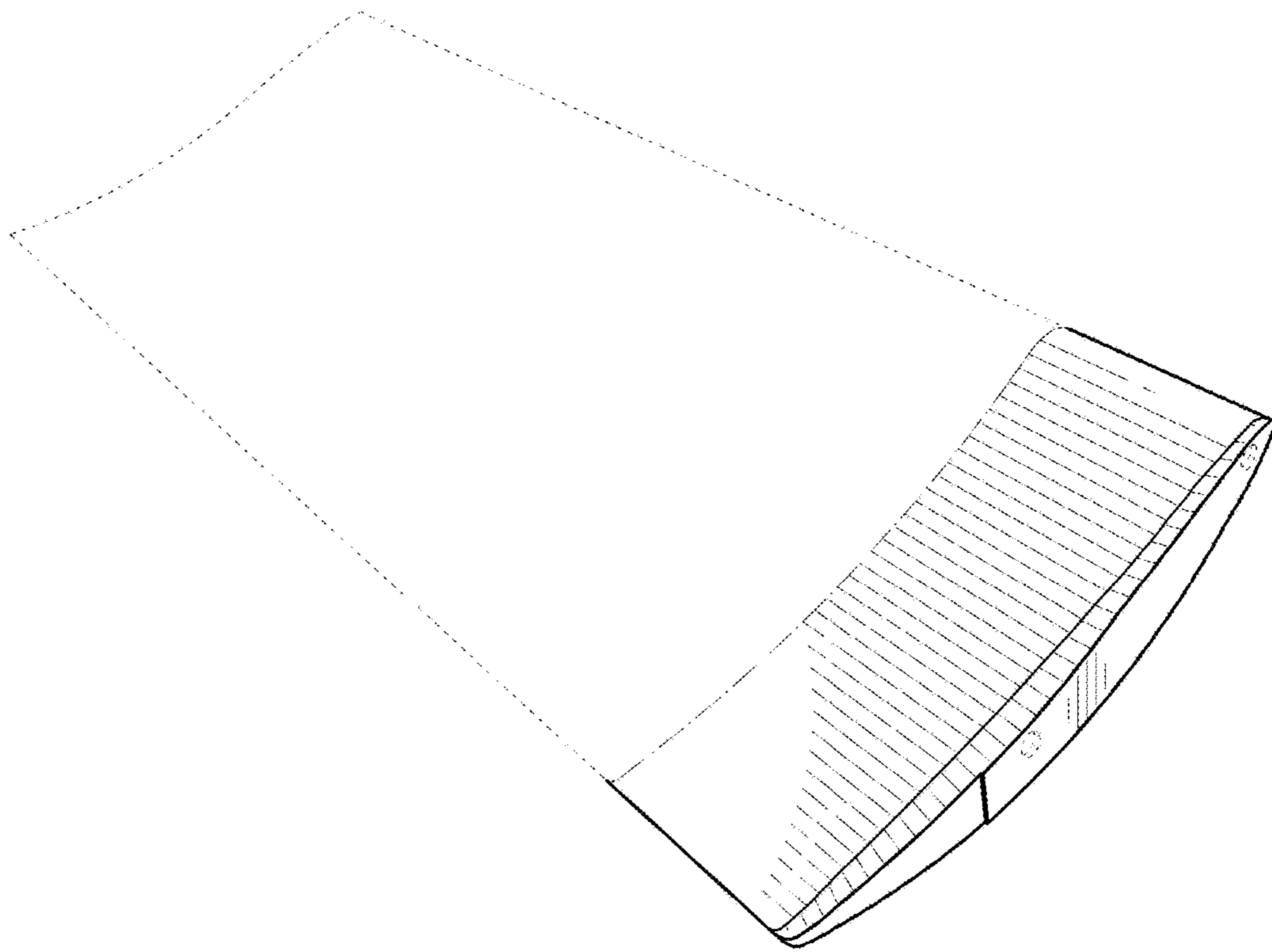


FIG. 6

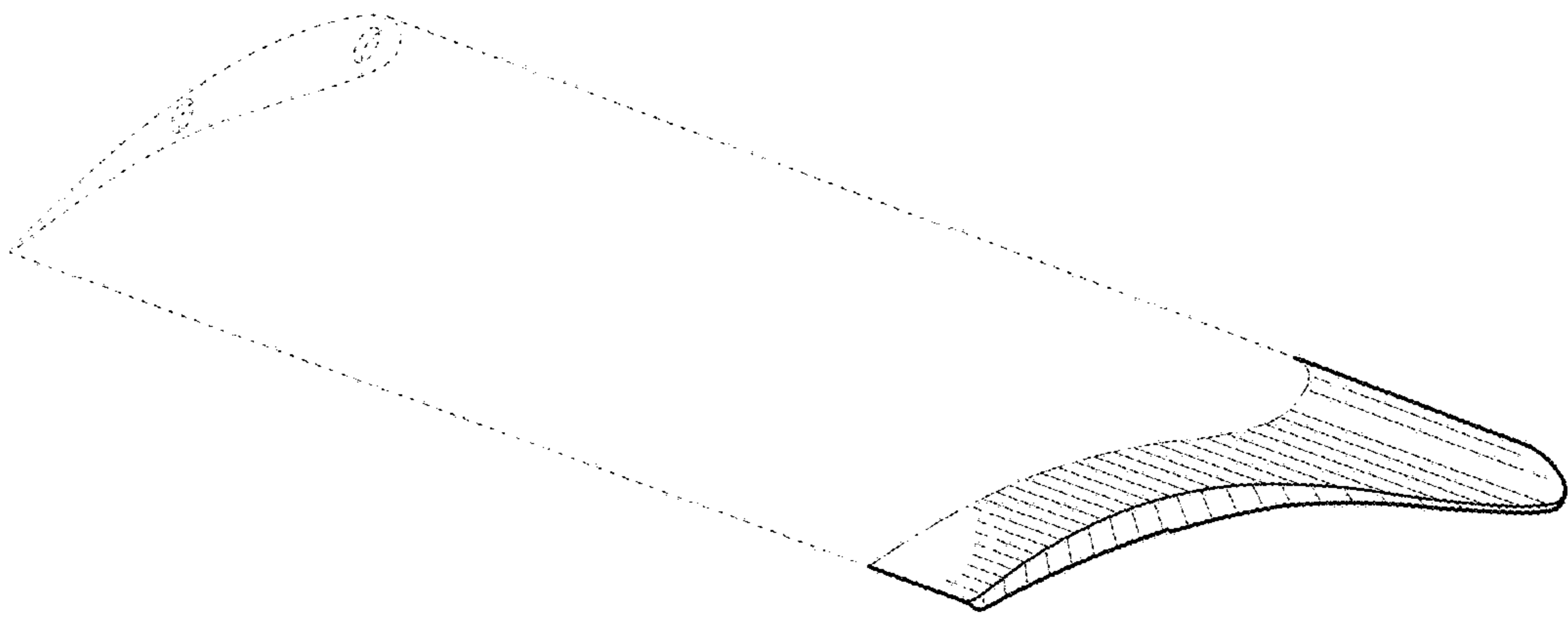


FIG. 7