



US00D823450S

(12) **United States Design Patent**  
**Seo et al.**

(10) **Patent No.:** **US D823,450 S**  
(45) **Date of Patent:** **\*\* Jul. 17, 2018**

(54) **HUMIDIFIER SUPPORT**  
(71) Applicant: **MIRO CO., LTD.**, Incheon (KR)  
(72) Inventors: **Dong Jin Seo**, Incheon (KR); **Yong Ju Oh**, Incheon (KR); **Min Seok Kim**, Incheon (KR); **Jeong Won Lee**, Incheon (KR)  
(73) Assignee: **MIRO CO., LTD.**, Incheon (KR)  
(\*\*) Term: **15 Years**

D465,568 S *	11/2002	Petherbridge .....	D24/110
D586,905 S *	2/2009	Fisher .....	D24/110
D590,494 S *	4/2009	Lithgow .....	D24/110
D590,495 S *	4/2009	Lulla .....	D24/110
D626,208 S *	10/2010	Clements .....	D23/365
D665,491 S *	8/2012	Goel .....	D15/144
D684,256 S *	6/2013	Menezes .....	D24/110
D698,909 S *	2/2014	Chou .....	D23/366
D753,279 S *	4/2016	Li .....	D23/366
D766,417 S *	9/2016	Lane .....	D23/366
D768,843 S *	10/2016	Honeyball .....	D23/386
D773,628 S *	12/2016	Gobber .....	D23/366
D790,679 S *	6/2017	Miller .....	D23/356

\* cited by examiner

(21) Appl. No.: **29/595,058**  
(22) Filed: **Feb. 24, 2017**

*Primary Examiner* — Rosemary K Tarcza  
*Assistant Examiner* — Christy M Nemeth  
(74) *Attorney, Agent, or Firm* — Novick, Kim & Lee, PLLC; Sang Ho Lee

(30) **Foreign Application Priority Data**

Aug. 24, 2016 (KR) ..... 30-2016-0041428

(51) **LOC (11) Cl.** ..... **23-04**  
(52) **U.S. Cl.**  
USPC ..... **D23/358**

(57) **CLAIM**

We claim the ornamental design for a humidifier support, as shown and described.

(58) **Field of Classification Search**  
USPC ..... D23/355, 356, 357–366, 352, 369, 332, D23/333, 335, 336, 342, 351, 367  
CPC .. A61L 9/16; A61L 9/22; B01D 47/00; B01D 47/027; B01D 2221/02; B01D 2259/4508; B03C 3/155; B03C 3/368; F24F 3/16; F24F 13/20; F24F 13/28; F24F 2001/0096; F24F 3/1405; F24F 3/1603  
See application file for complete search history.

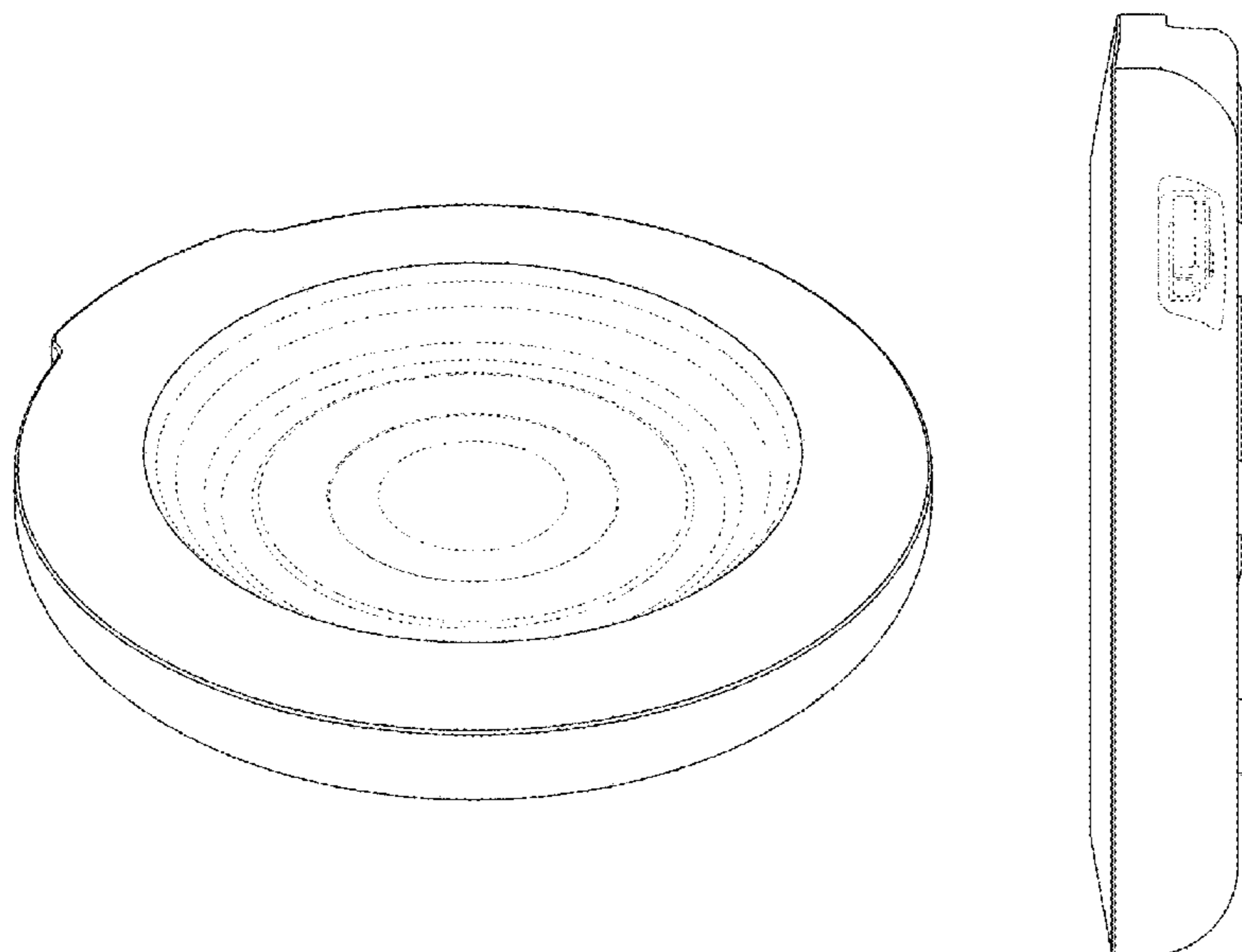
**DESCRIPTION**

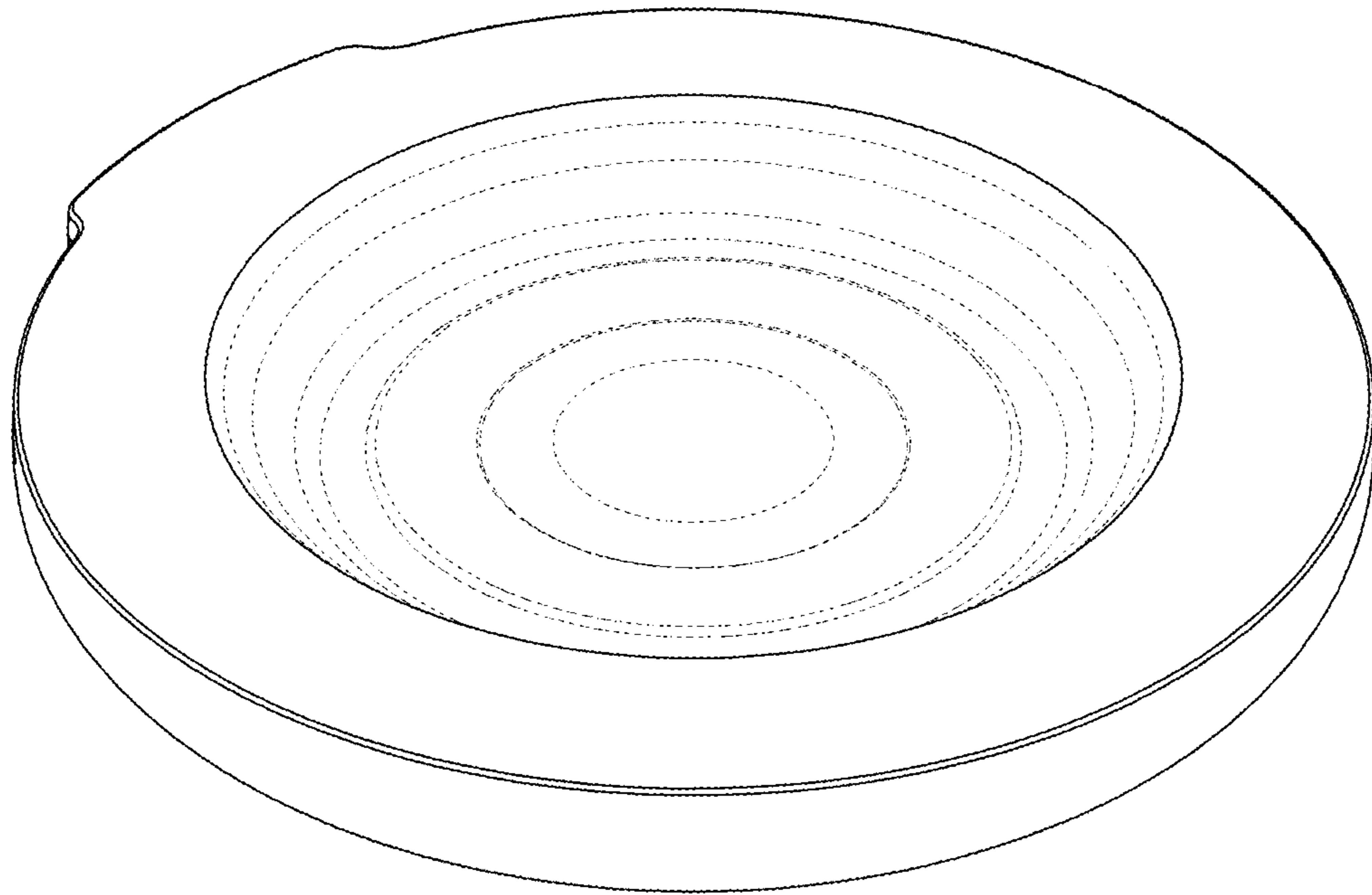
FIG. 1 is a perspective view of a humidifier support according to our new design;  
FIG. 2 is a front elevational view thereof;  
FIG. 3 is a rear elevational view thereof;  
FIG. 4 is a left side elevational view thereof;  
FIG. 5 is a right side elevational view thereof;  
FIG. 6 is a top plan view thereof; and,  
FIG. 7 is a bottom plan view thereof.  
The broken lines in the drawings are for the purpose of illustrating portions of the humidifier support that form no part of the claimed design.

(56) **References Cited**  
U.S. PATENT DOCUMENTS

D289,920 S \* 5/1987 O'Neil, Jr. .... D23/366  
D451,180 S \* 11/2001 Hoare ..... D23/356

**1 Claim, 5 Drawing Sheets**





**FIG. 1**

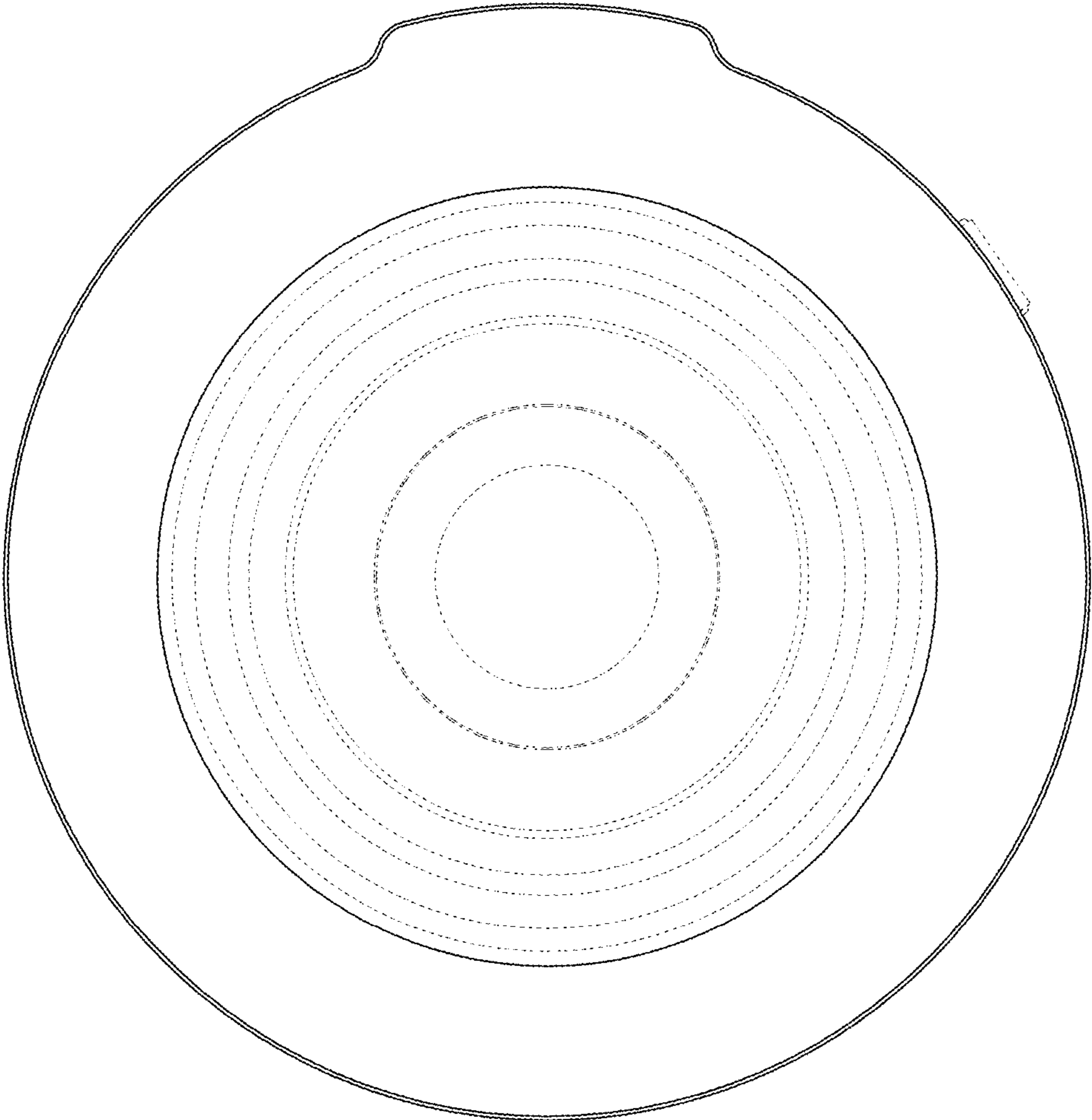


FIG. 2

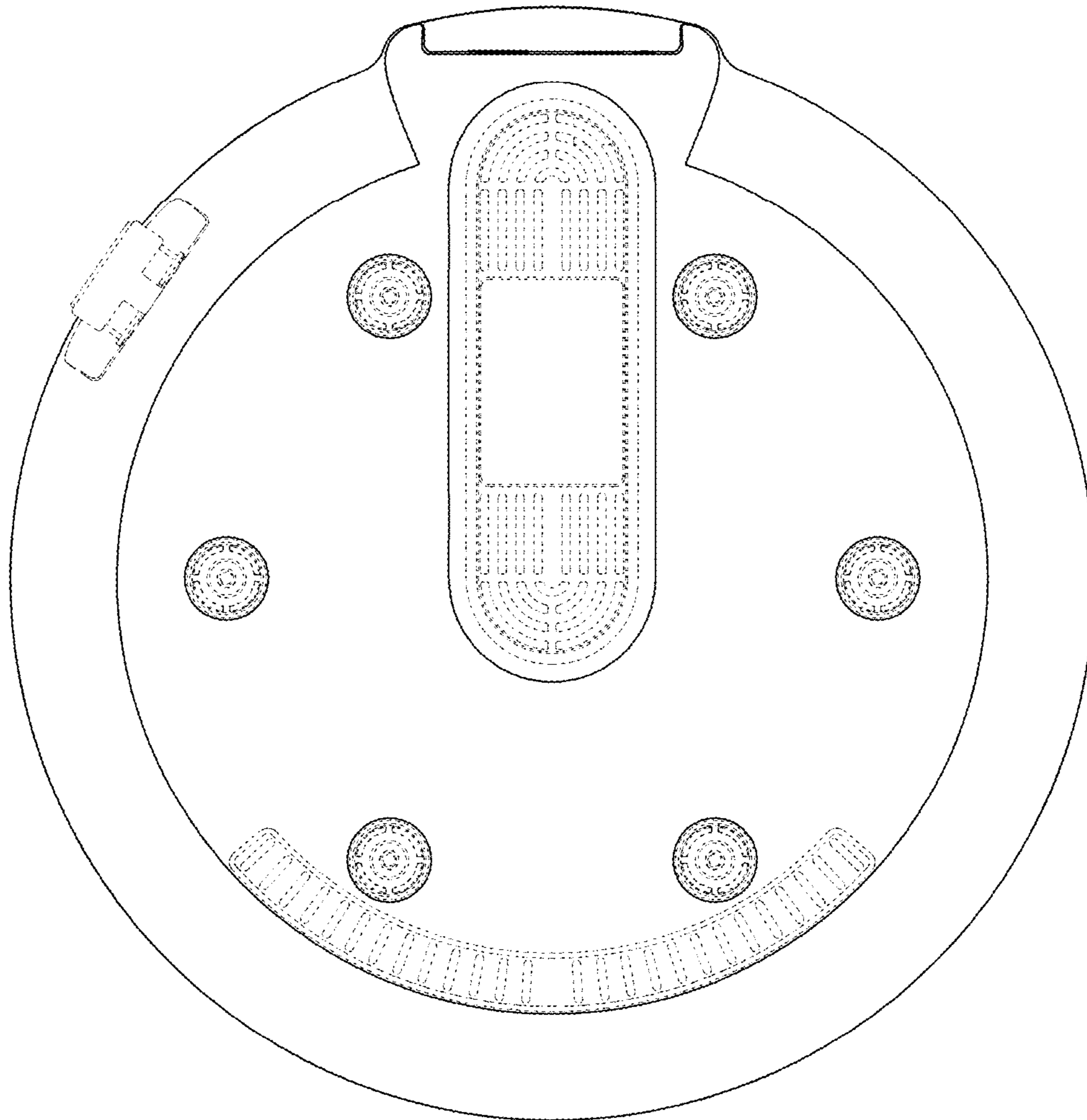


FIG. 3

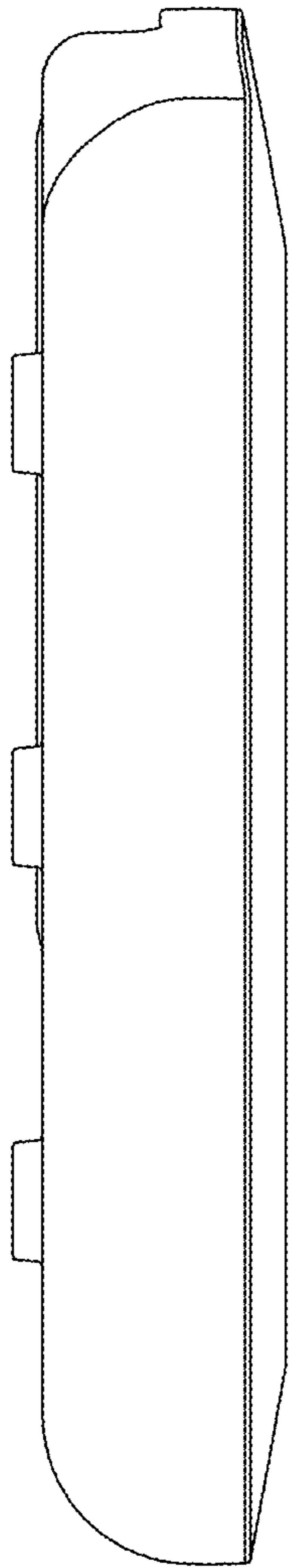


FIG. 4

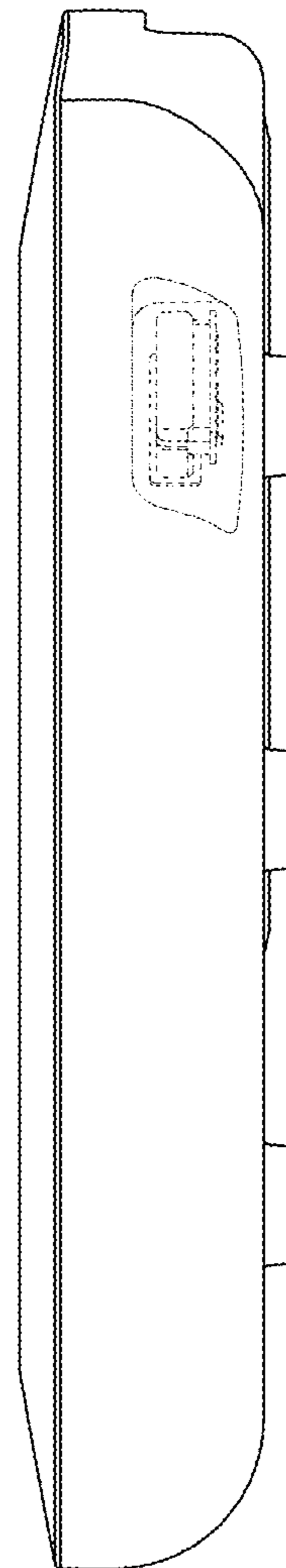


FIG. 5

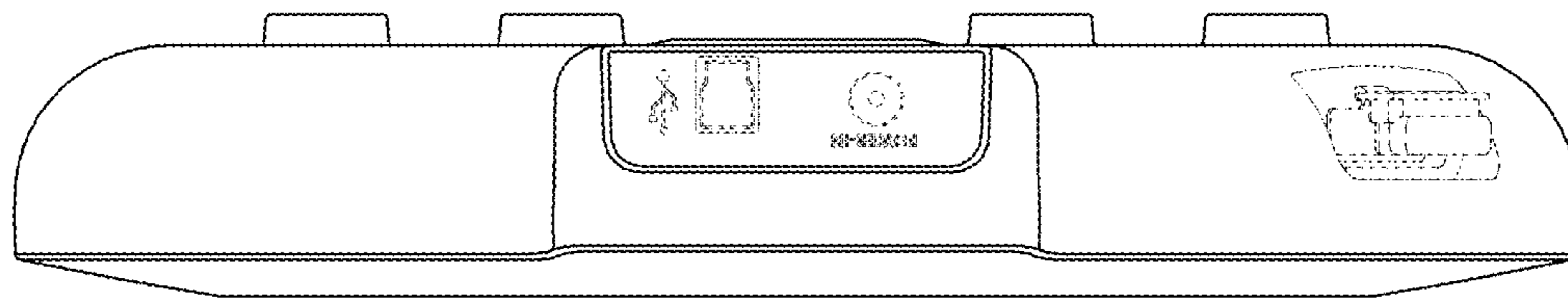


FIG. 6

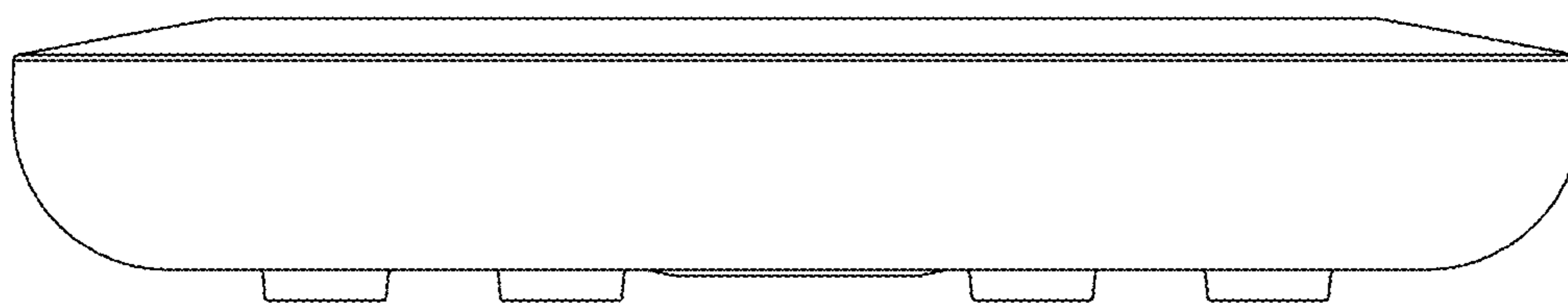


FIG. 7