



US00D823447S

(12) **United States Design Patent** (10) **Patent No.:** **US D823,447 S**
Licini (45) **Date of Patent:** **** Jul. 17, 2018**

(54) **SHOWER WALL**
(71) Applicant: **Kohler Co.**, Kohler, WI (US)
(72) Inventor: **Frederic Licini**, L'Etang la Ville (FR)
(73) Assignee: **KOHLER CO.**, Kohler, WI (US)
(**) Term: **15 Years**
(21) Appl. No.: **29/565,189**
(22) Filed: **May 18, 2016**
(51) **LOC (11) Cl.** **23-01**
(52) **U.S. Cl.**
USPC **D23/305**
(58) **Field of Classification Search**
USPC D23/228, 303-305, 283, 249-250, 252,
D23/254; D8/300, 307-308, 310
(Continued)

(56) **References Cited**
U.S. PATENT DOCUMENTS
3,737,107 A * 6/1973 Wright E03C 1/06
239/208
4,048,767 A * 9/1977 Ferich A47K 3/281
52/220.7
(Continued)

Primary Examiner — Robert A Delehanty
(74) *Attorney, Agent, or Firm* — Foley & Lardner LLP

(57) **CLAIM**
I claim the ornamental design for a shower wall, as shown and described.

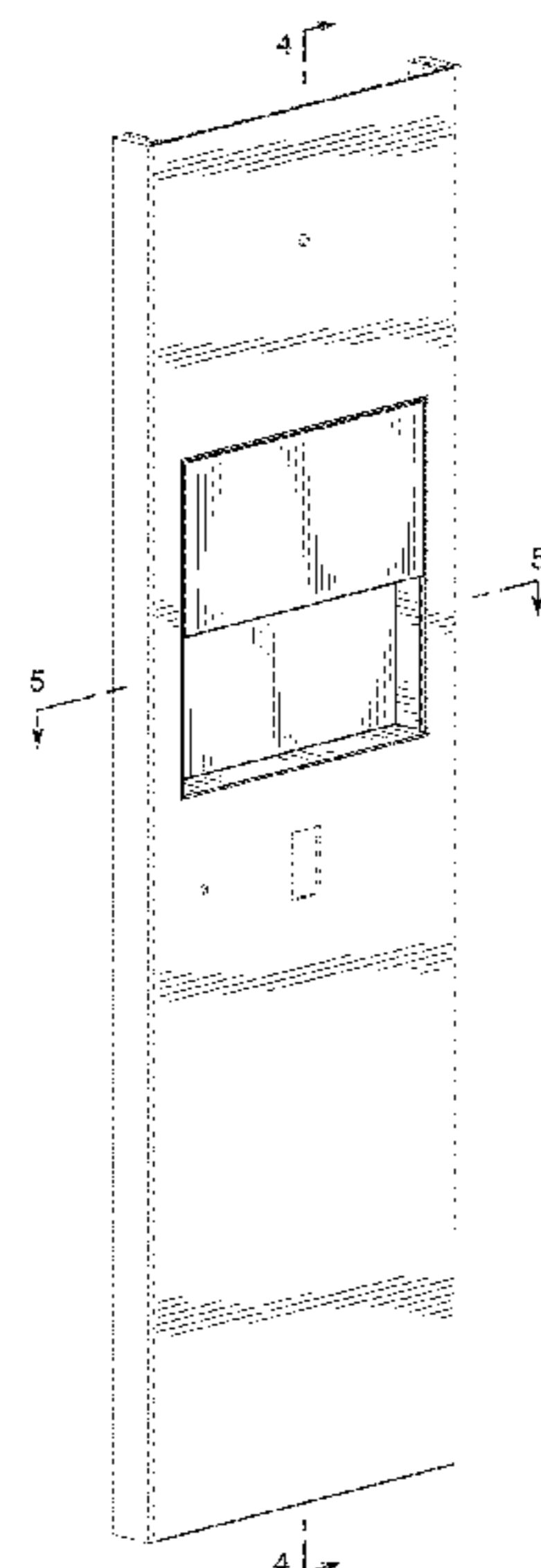
DESCRIPTION

FIG. 1 is a perspective view of an embodiment of the claimed design including a shower wall;

FIG. 2 is a front view of the claimed design shown in FIG. 1;
FIG. 3 is a side view of the claimed design shown in FIG. 1;
FIG. 4 is a cross-sectional view of the claimed design shown in FIG. 1, taken along line 4-4 in FIG. 1;
FIG. 5 is another cross-sectional view of the claimed design shown in FIG. 1, taken along line 5-5 in FIG. 1;
FIG. 6 is a bottom view of the claimed design shown in FIG. 1;
FIG. 7 is a rear view of the claimed design shown in FIG. 1;
FIG. 8 is a perspective view of another embodiment of the claimed design including a shower wall;
FIG. 9 is a front view of the claimed design shown in FIG. 8;
FIG. 10 is a side view of the claimed design shown in FIG. 8;
FIG. 11 is a cross-sectional view of the claimed design shown in FIG. 8, taken along line 11-11 in FIG. 8;
FIG. 12 is another cross-sectional view of the claimed design shown in FIG. 8, taken along line 12-12 in FIG. 8;
FIG. 13 is a bottom view of the claimed design shown in FIG. 8; and,
FIG. 14 is a rear view of the claimed design shown in FIG. 8.

The ornamental design that is claimed is shown in the drawings as solid lines and surfaces having surface shading. The broken lines in the drawings are for illustrative purposes only and form no part of the claimed design. For example, broken lines formed by equal length dashes show unclaimed portions of the design. Broken lines formed of unequal length dashes (i.e., dash-dot) show boundaries between either claimed and unclaimed portions of the design or between unclaimed and unclaimed portions of the design. Break lines having a jagged element are not part of the claimed design and show unspecified lengths of the portion are possible. Such break lines illustrate a symbolic break in length, and the appearance of any portion of the article between the break lines forms no part of the claimed design.

1 Claim, 10 Drawing Sheets



(58) **Field of Classification Search**

CPC Y10T 137/9464

See application file for complete search history.

(56) **References Cited**

U.S. PATENT DOCUMENTS

5,303,519 A * 4/1994 Mustee A47K 3/283
52/34
D541,394 S * 4/2007 Toyohara D23/304
D598,522 S * 8/2009 Schoenherr D23/254
D648,825 S * 11/2011 Ando D23/304
D689,983 S * 9/2013 Wilson D23/304
D787,017 S * 5/2017 Tseng D23/228
9,677,256 B2 * 6/2017 Wilson E03C 1/0408

* cited by examiner

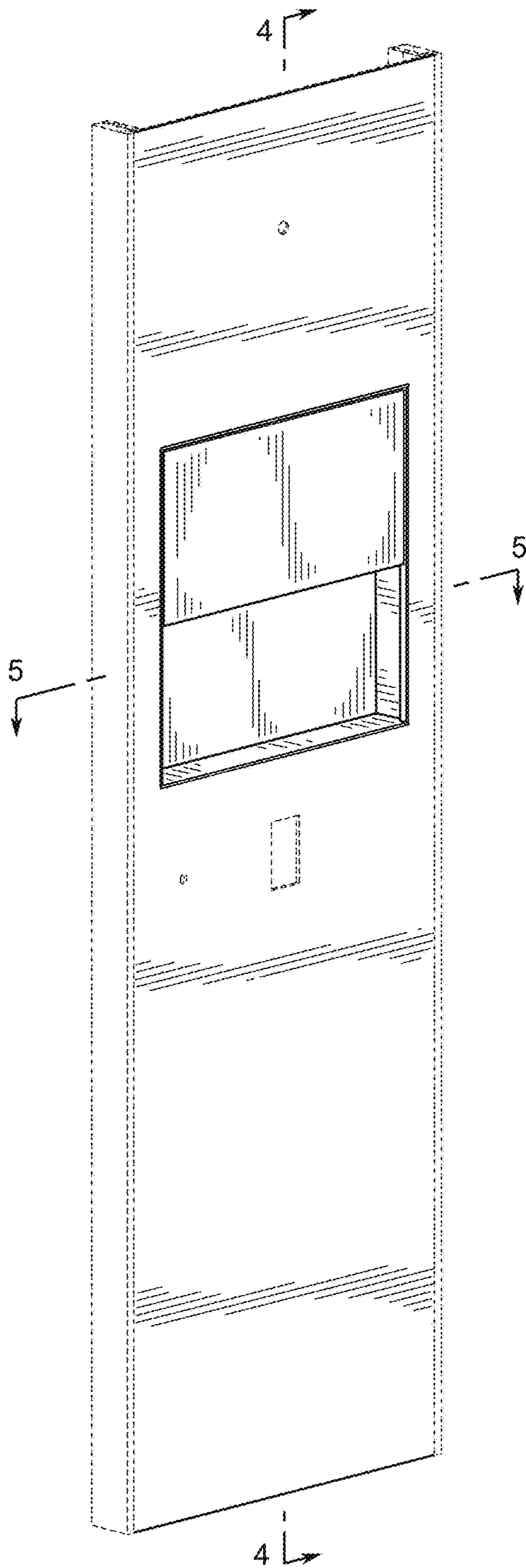


FIG. 1

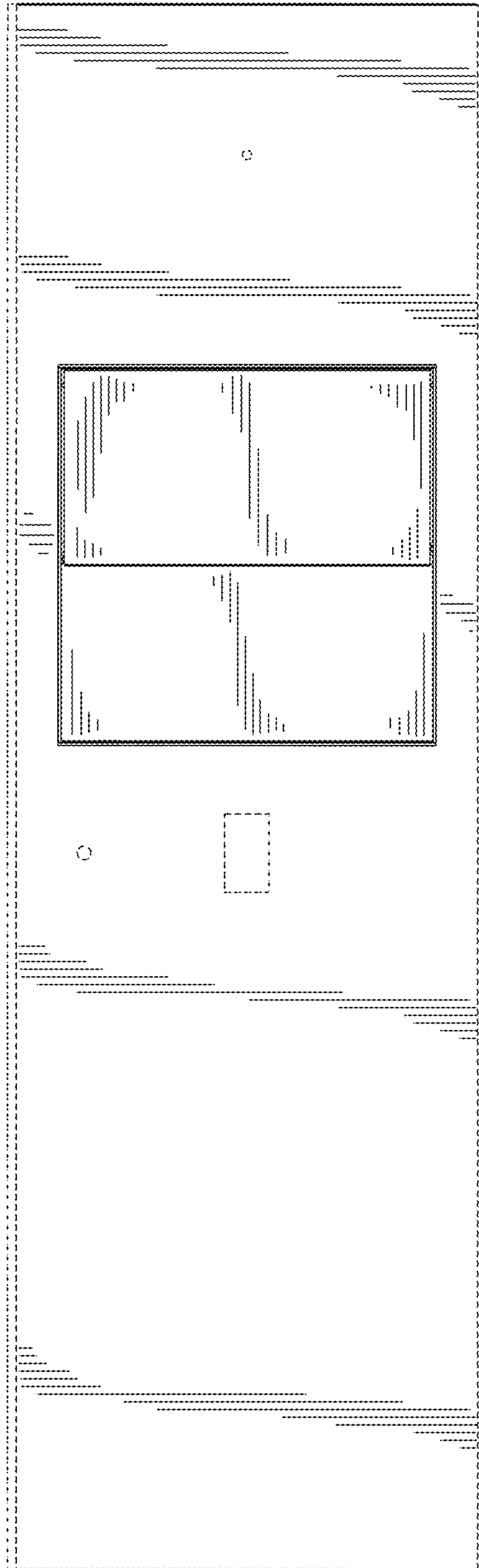


FIG. 2

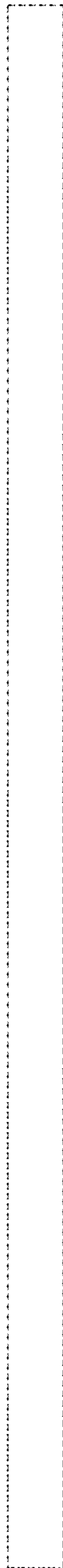


FIG. 3

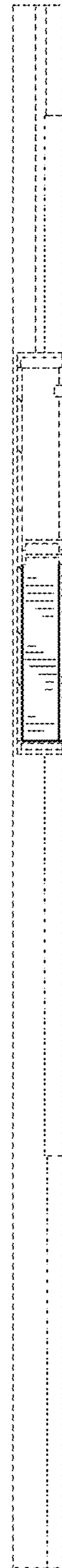


FIG. 4

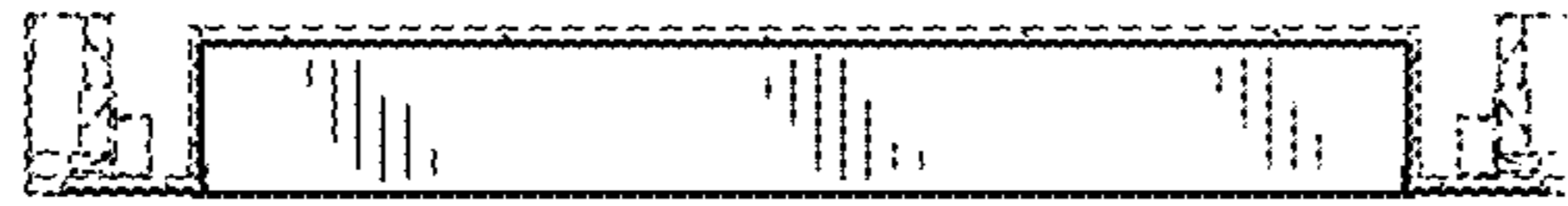


FIG. 5

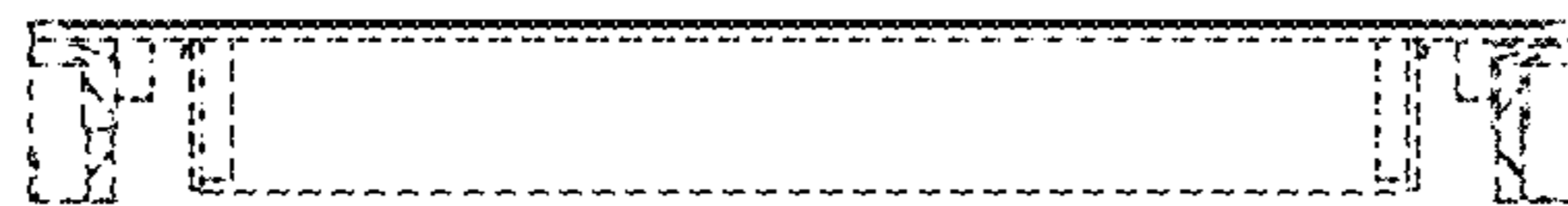


FIG. 6

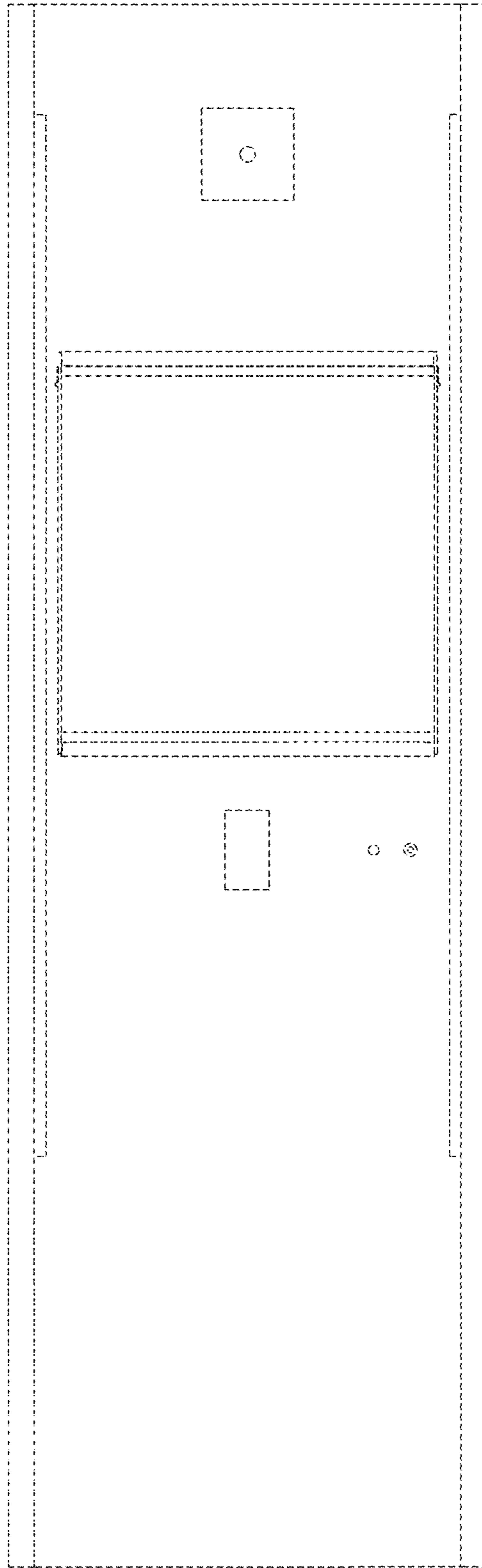


FIG. 7

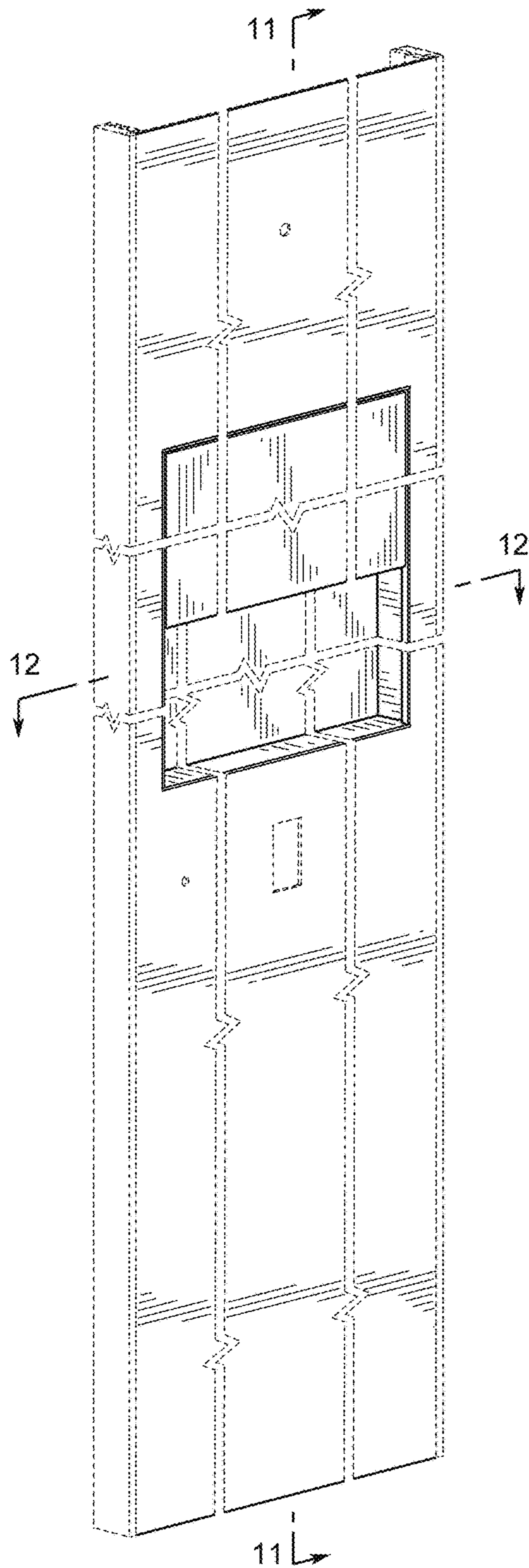


FIG. 8

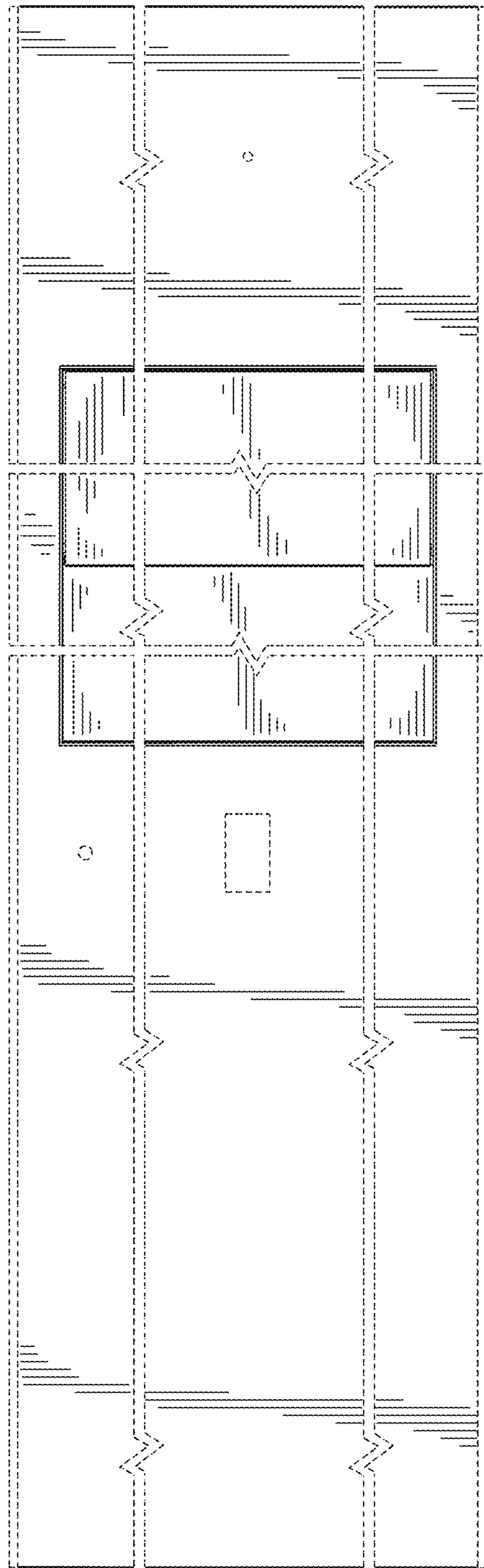


FIG. 9

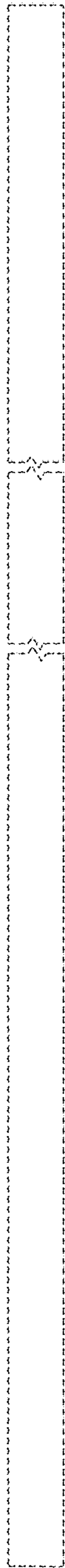


FIG. 10



FIG. 11

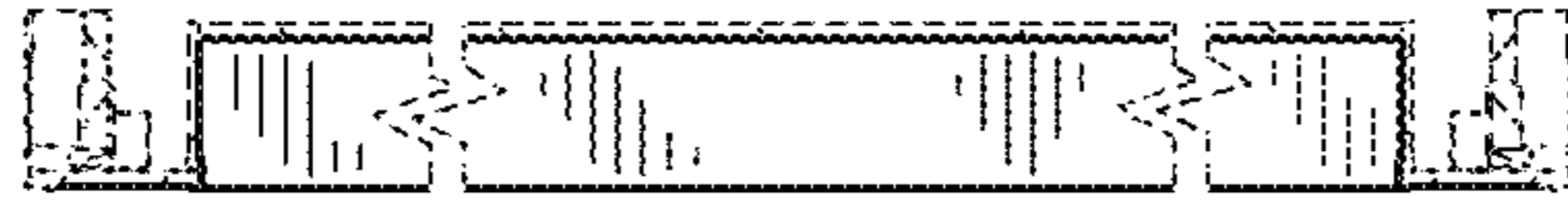


FIG. 12



FIG. 13

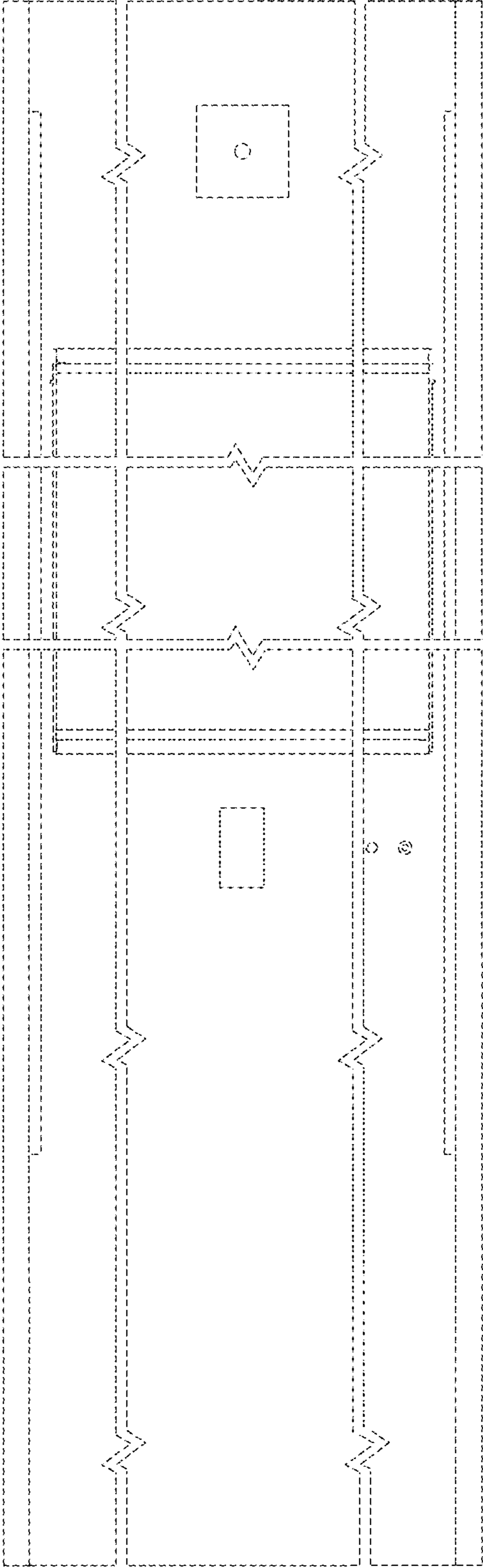


FIG. 14