



US00D823446S

(12) **United States Design Patent** (10) **Patent No.:** **US D823,446 S**  
**Garrels et al.** (45) **Date of Patent:** **\*\* Jul. 17, 2018**

(54) **TOILET**  
(71) Applicant: **Kohler Co.**, Kohler, WI (US)  
(72) Inventors: **Clayton Garrels**, Kohler, WI (US);  
**Adam Moller**, Sheboygan, WI (US)

D693,910 S 11/2013 Bates et al.  
D702,331 S 4/2014 Garland  
D703,796 S \* 4/2014 McKeone ..... D23/300  
D745,125 S \* 12/2015 Fullerton, Jr. .... D23/301  
D763,416 S \* 8/2016 Goad ..... D23/301  
D812,730 S \* 3/2018 Garrels ..... D23/309

(73) Assignee: **KOHLER CO.**, Kohler, WI (US)  
(\*\*) Term: **15 Years**

**OTHER PUBLICATIONS**

Kohler's 2016 Price Book "Fixture" pp. 314-347.

(21) Appl. No.: **29/624,372**

\* cited by examiner

(22) Filed: **Oct. 31, 2017**

*Primary Examiner* — Brandon Michael Rosati

*Assistant Examiner* — John A Voytek

(74) *Attorney, Agent, or Firm* — Foley & Lardner LLP

**Related U.S. Application Data**

(62) Division of application No. 29/592,372, filed on Jan. 30, 2017, now Pat. No. Des. 812,730.

(57) **CLAIM**

We claim the ornamental design for a toilet, as shown and described.

(51) **LOC (11) Cl.** ..... **23-02**

**DESCRIPTION**

(52) **U.S. Cl.**

USPC ..... **D23/300**

(58) **Field of Classification Search**

USPC ..... D23/295-301, 303, 309, 313

CPC ..... A47K 11/02; A47K 11/026; A47K 11/00;

A47K 13/00; E03D 11/18; E03D 5/10;

E03D 13/00

See application file for complete search history.

FIG. 1 is a perspective view of an embodiment of the claimed design;

FIG. 2 is a front view of the design shown in FIG. 1;

FIG. 3 is a top view of the design shown in FIG. 1;

FIG. 4 is a side view of the design shown in FIG. 1;

FIG. 5 is another side view of the design shown in FIG. 1;

FIG. 6 is a perspective view of another embodiment of the claimed design;

FIG. 7 is a front view of the design shown in FIG. 6;

FIG. 8 is a top view of the design shown in FIG. 6;

FIG. 9 is a side view of the design shown in FIG. 6; and,

FIG. 10 is another side view of the design shown in FIG. 6.

In the drawings, the broken lines depict environmental subject matter only and form no part of the claimed design.

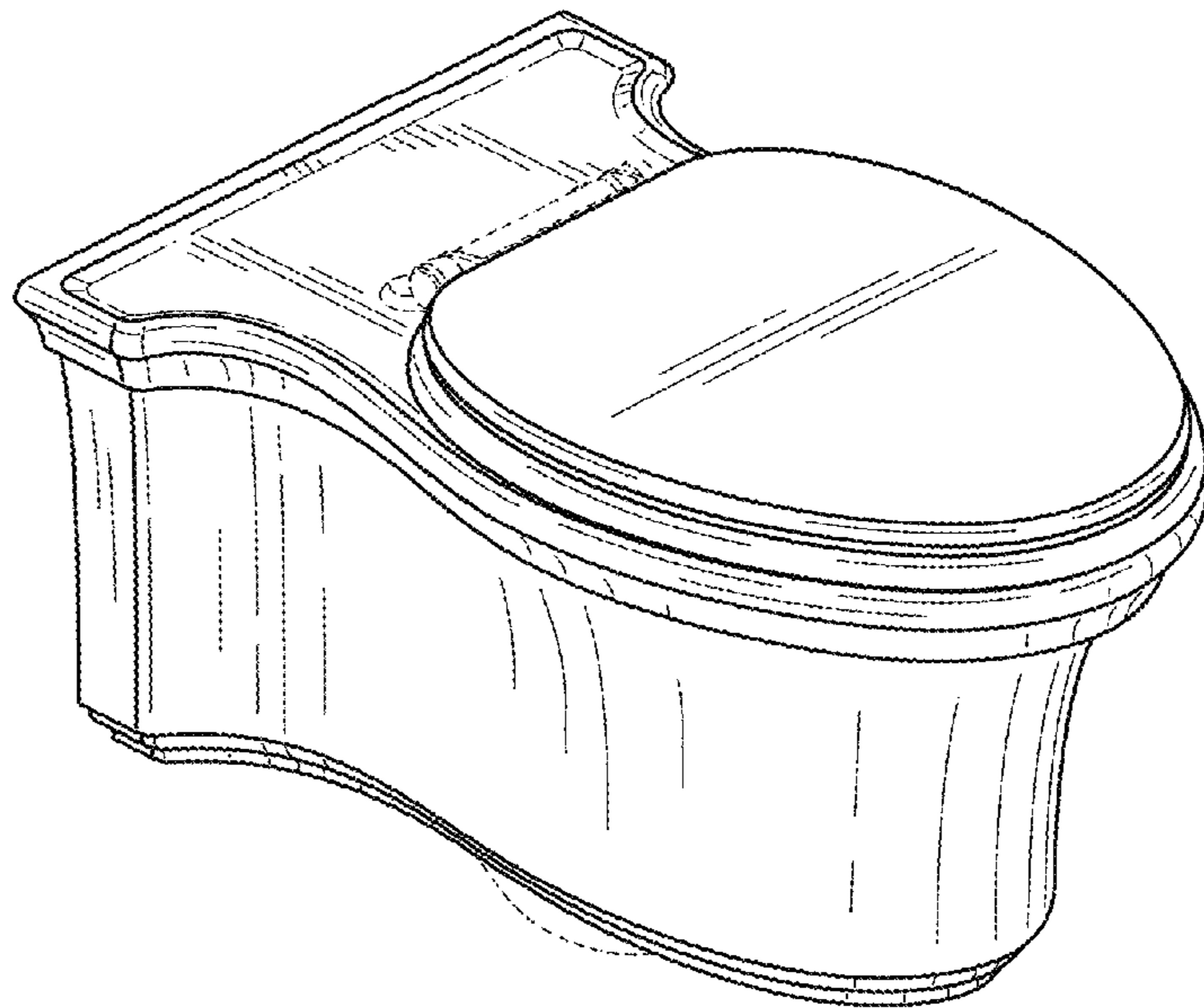
The dot and dashed lines indicate a boundary between the claimed and unclaimed portion of the design.

(56) **References Cited**

**U.S. PATENT DOCUMENTS**

D354,341 S 1/1995 Kohler, Jr.  
D483,448 S 12/2003 Ruxchaivan  
D520,613 S 5/2006 Soulier  
D536,428 S 2/2007 Kohler, Jr. et al.  
D621,487 S 8/2010 Toyohara  
D641,456 S 7/2011 Bickerstaffe  
D656,229 S \* 3/2012 Wang ..... D23/295  
D658,278 S 4/2012 Wang

**1 Claim, 6 Drawing Sheets**



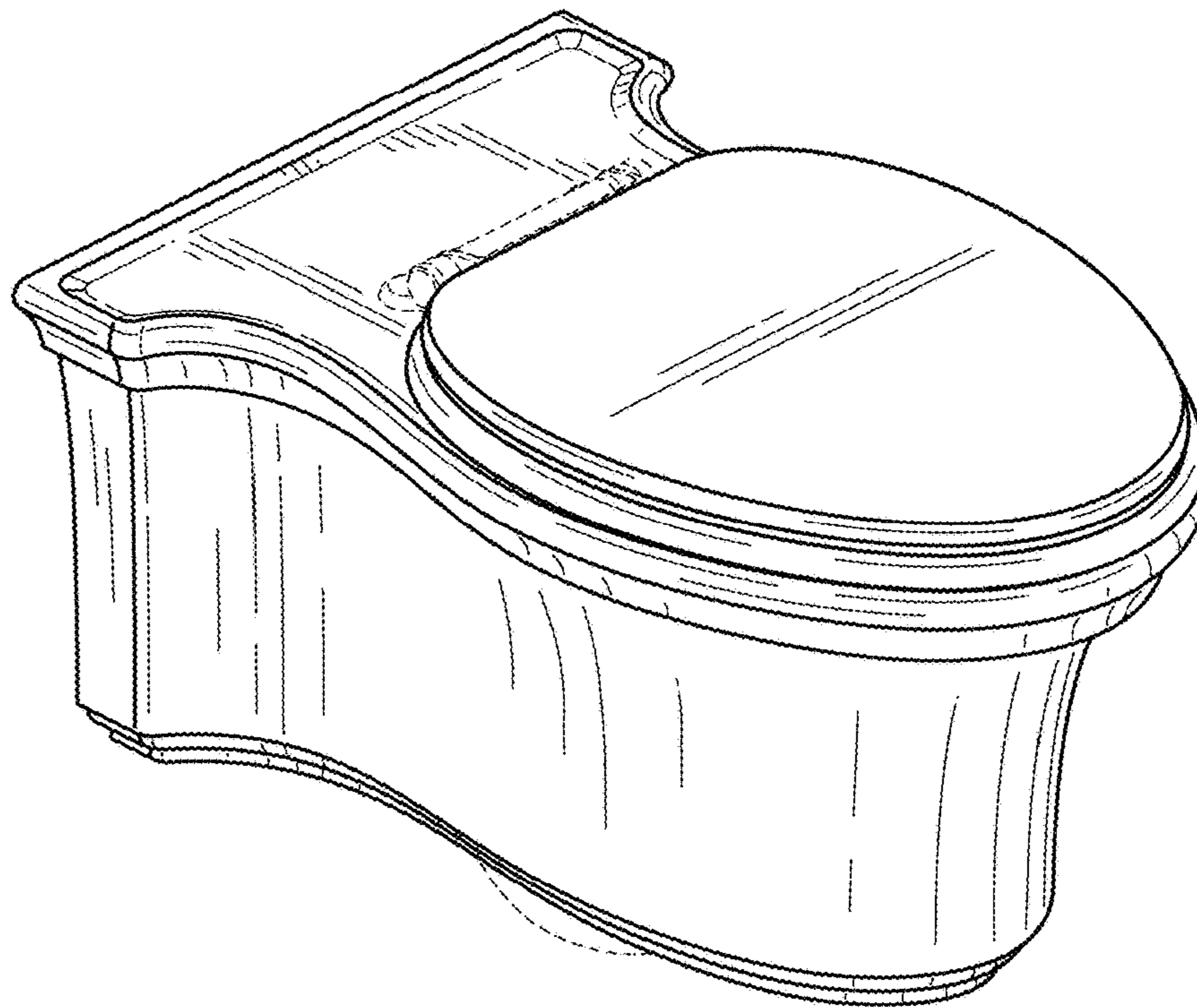


FIG. 1

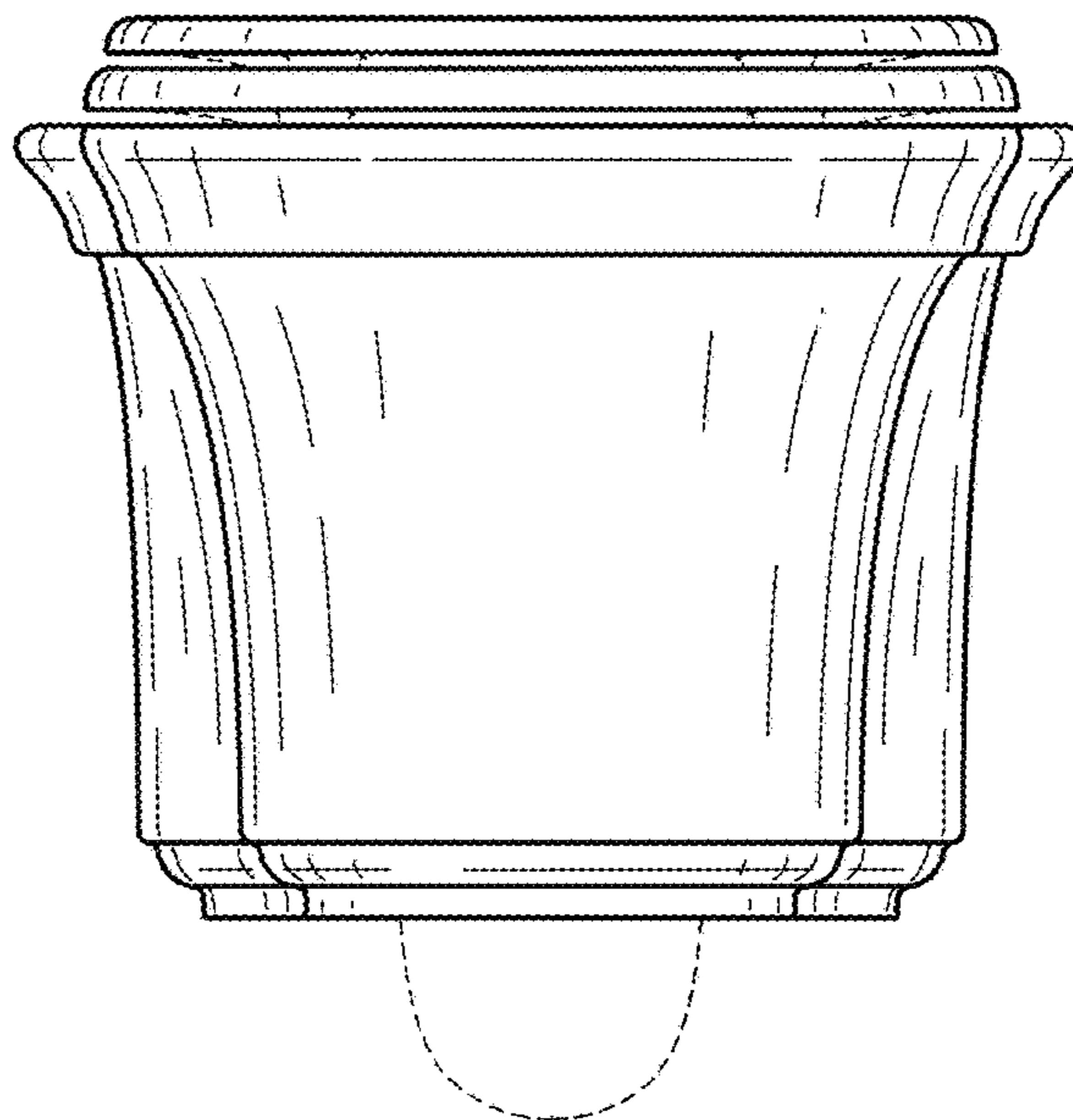


FIG. 2

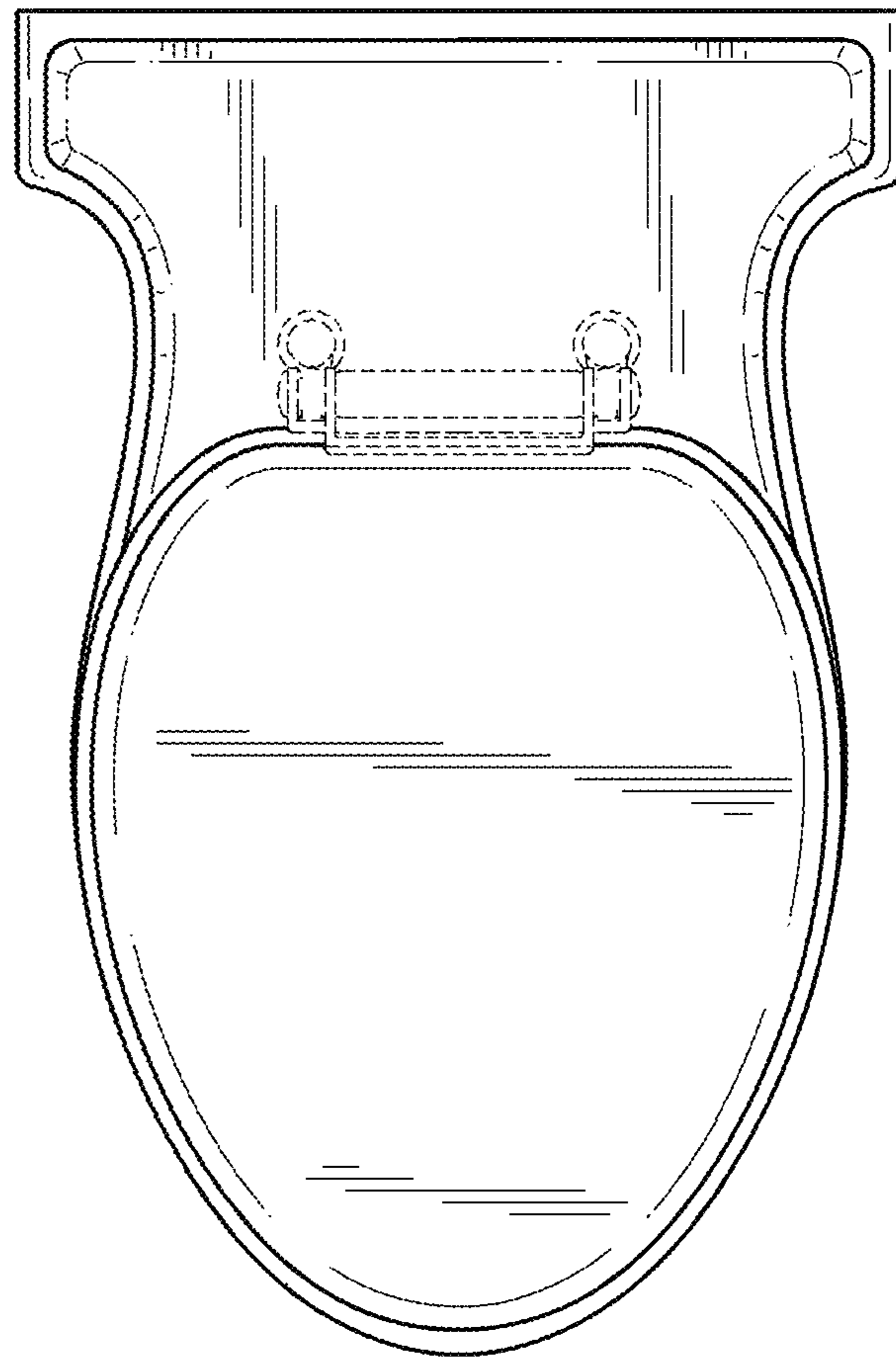


FIG. 3

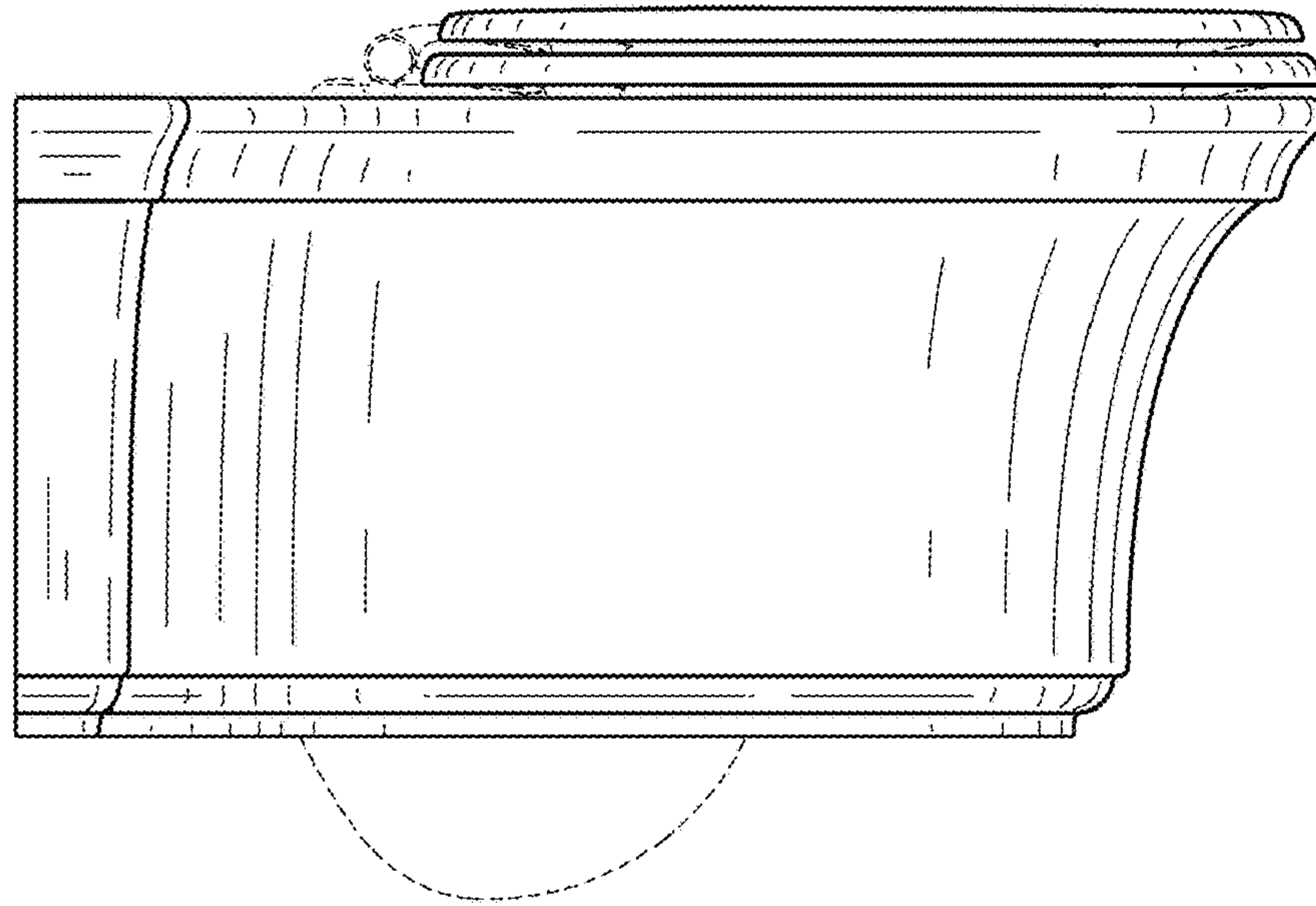


FIG. 4

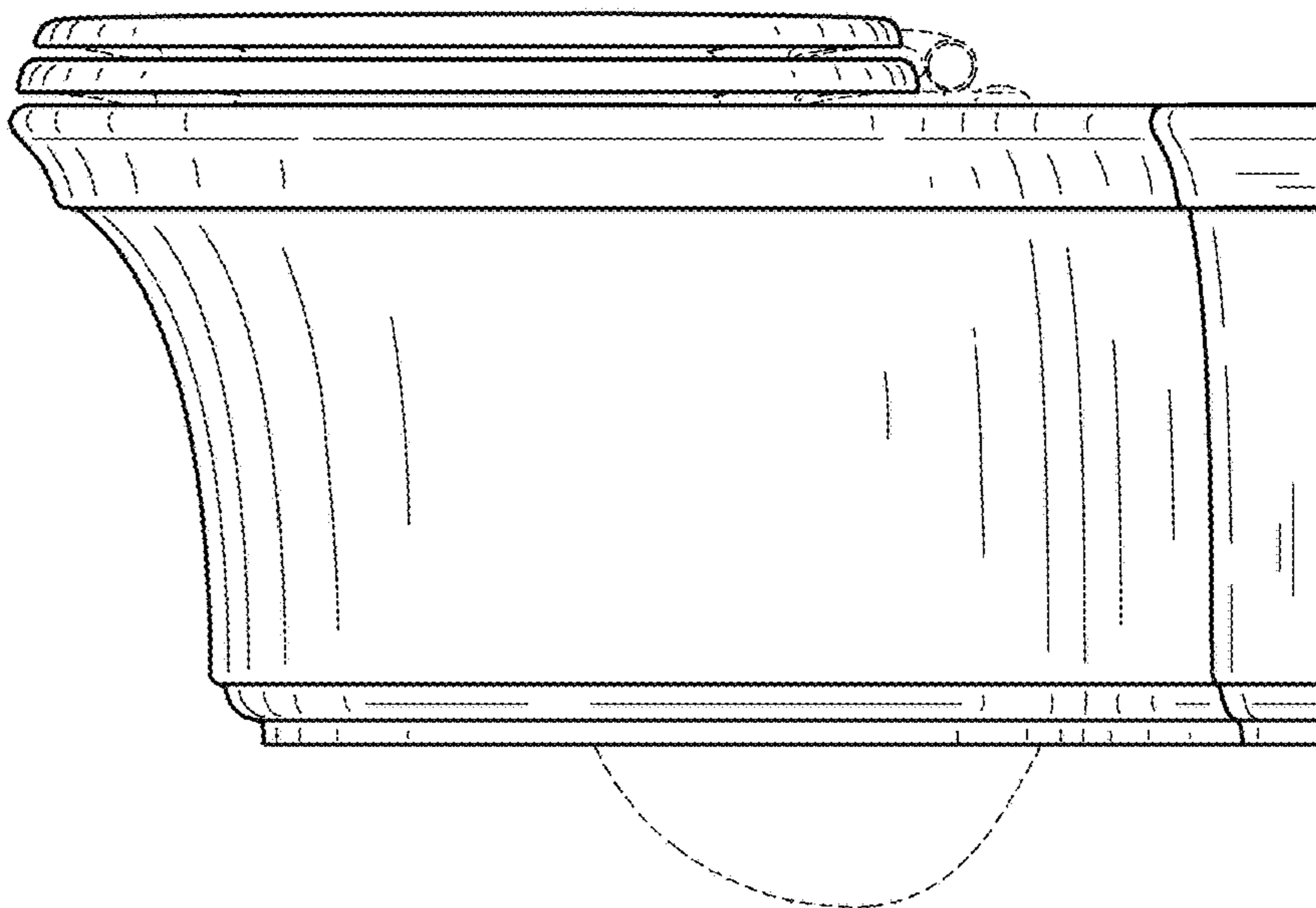


FIG. 5

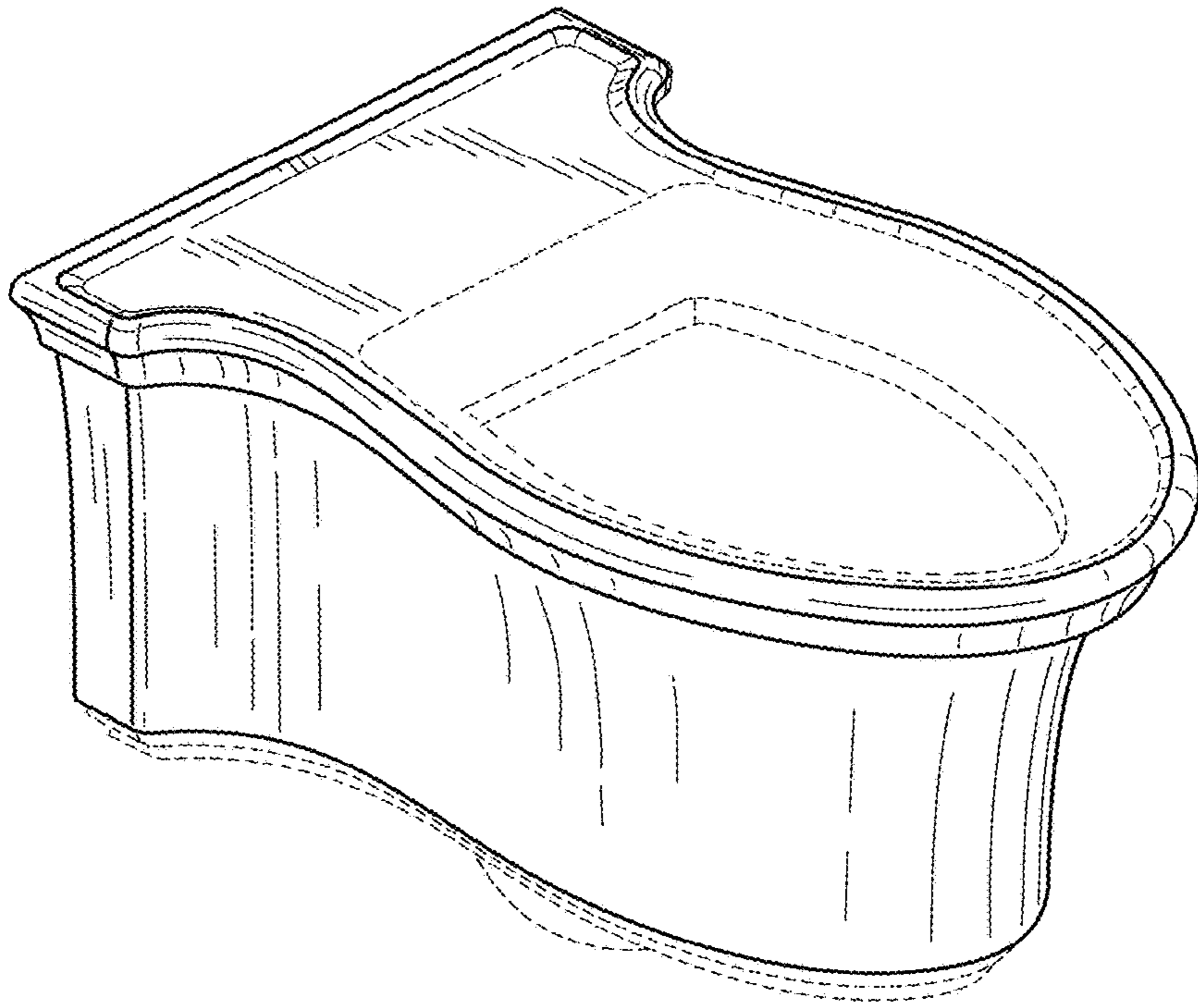


FIG. 6

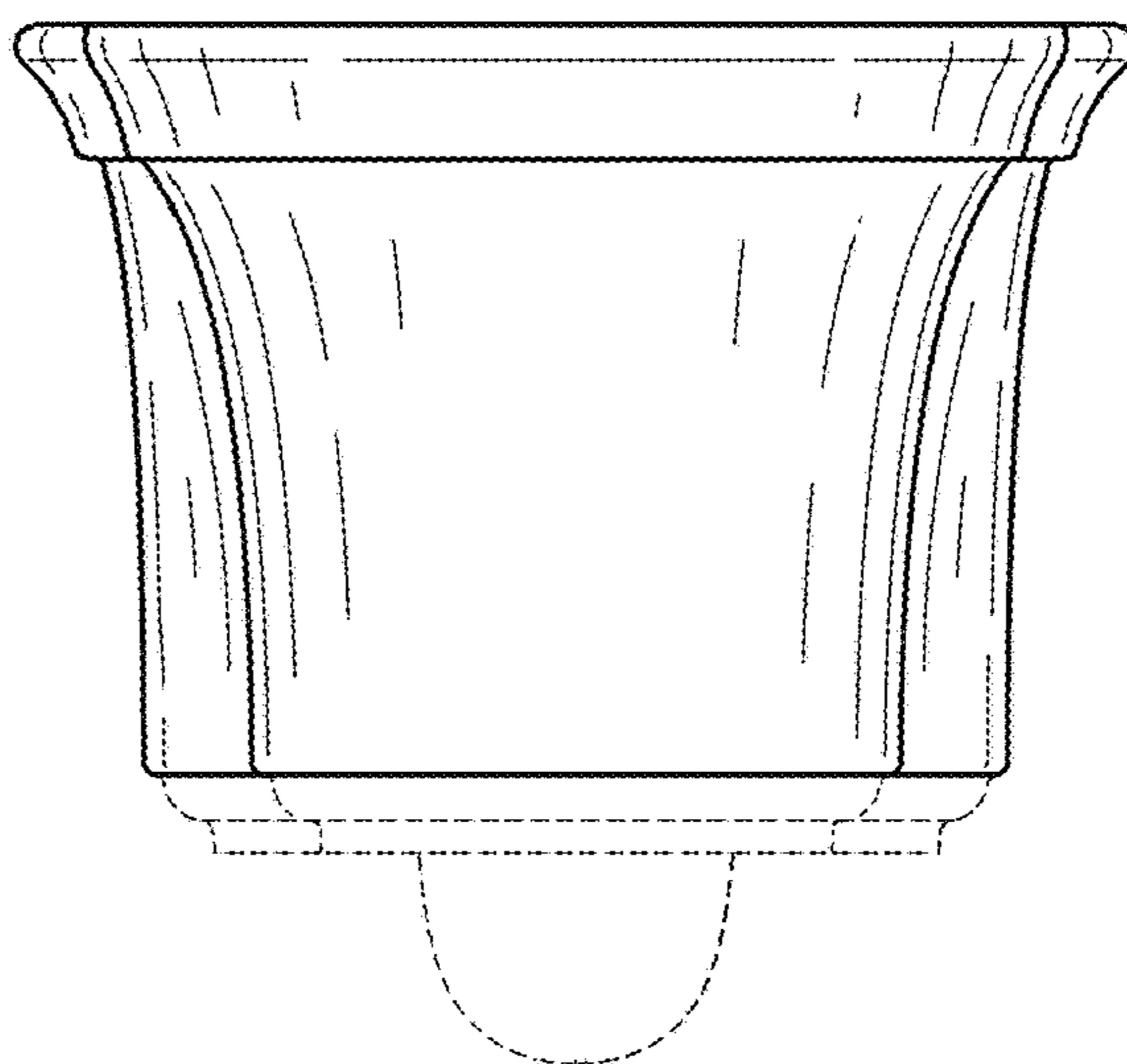


FIG. 7

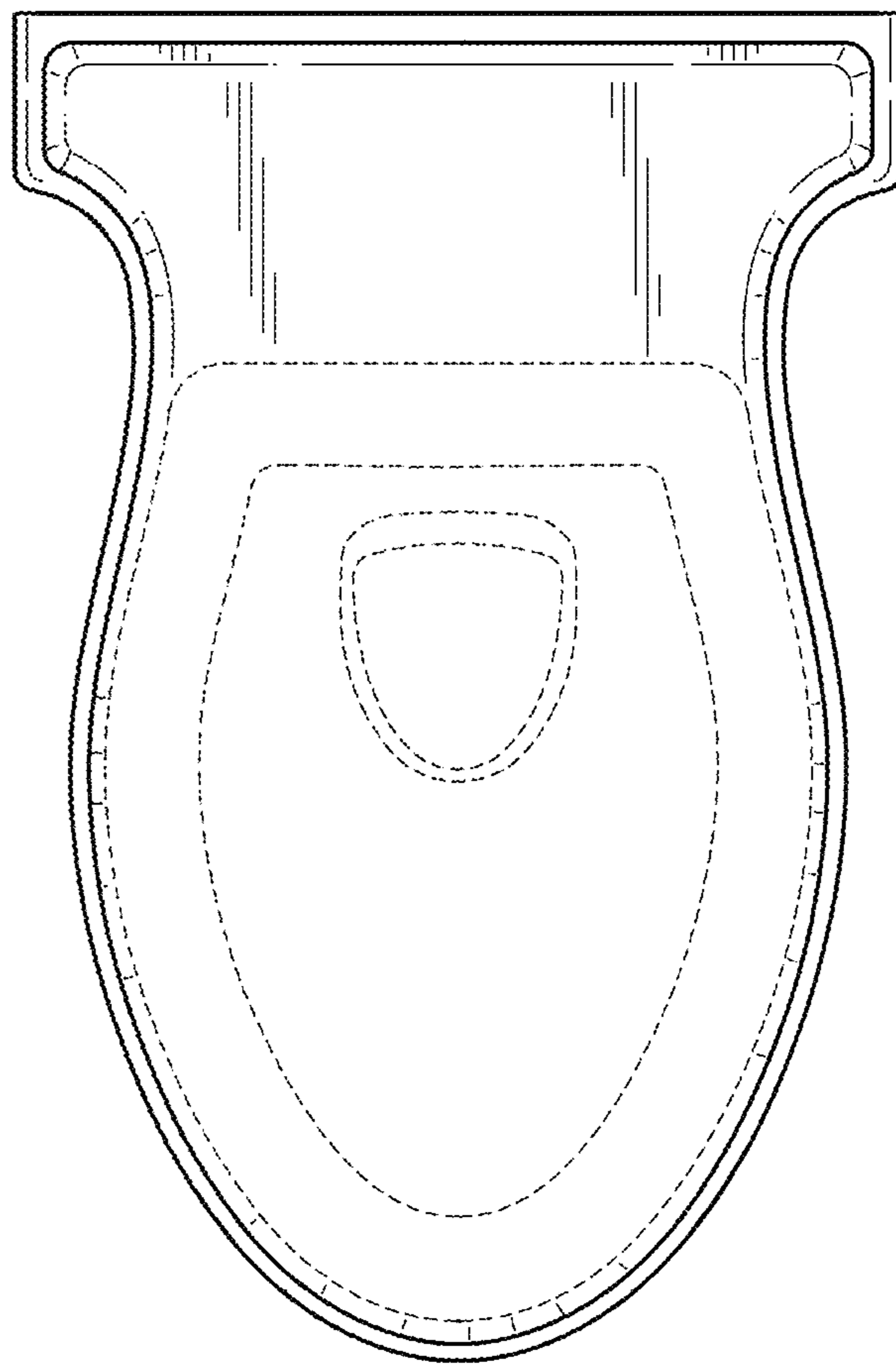


FIG. 8

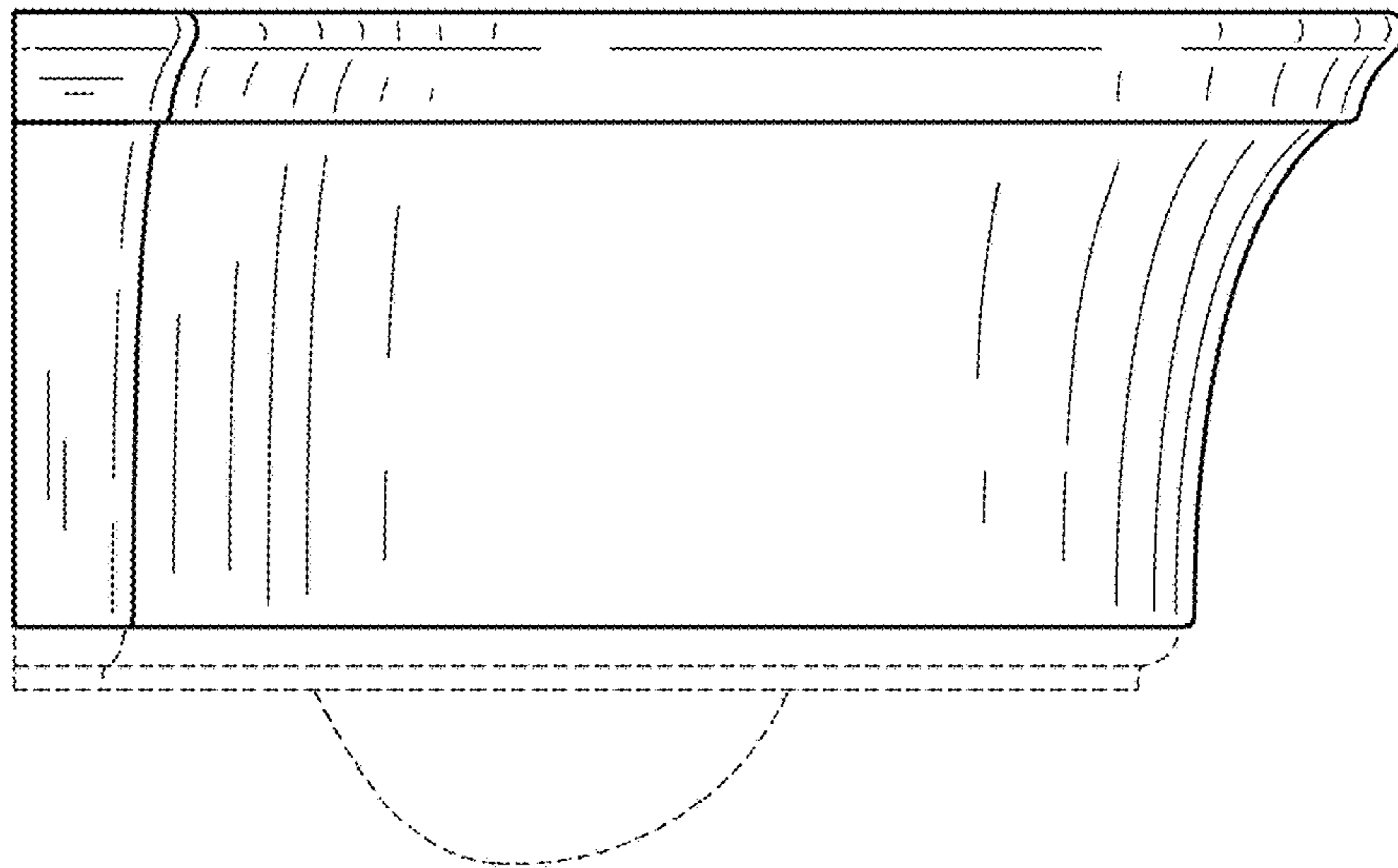


FIG. 9

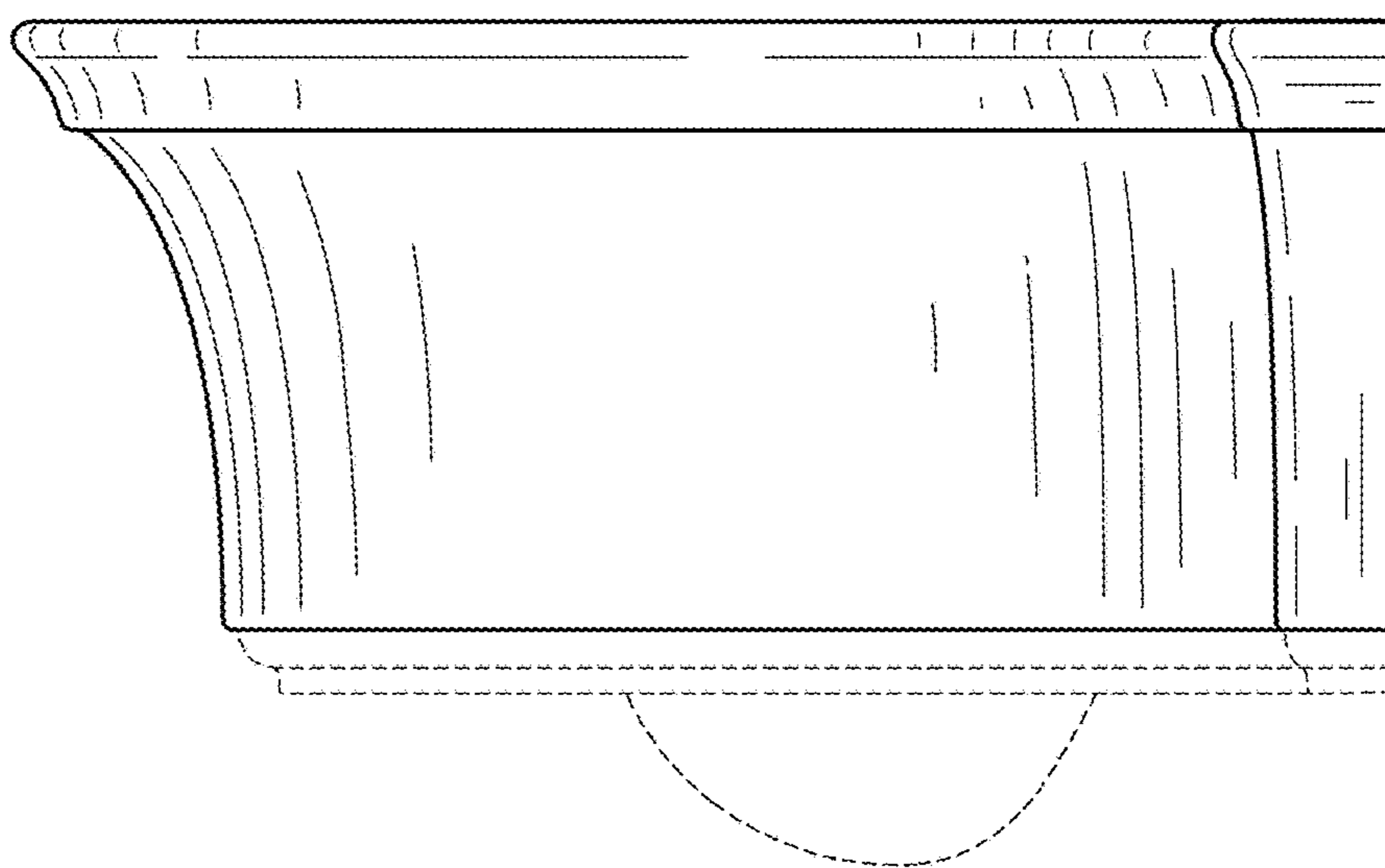


FIG. 10