



US00D823443S

(12) **United States Design Patent** (10) **Patent No.:** **US D823,443 S**  
**Bancroft et al.** (45) **Date of Patent:** **\*\* Jul. 17, 2018**

(54) **PIPE COUPLING**

(71) Applicant: **Victaulic Company**, Easton, PA (US)  
 (72) Inventors: **Philip Wayne Bancroft**, Belvidere, NJ (US); **Matthew A. Bowman**, Palmer, PA (US); **Kathryn E. Yovanovich**, Nazareth, PA (US); **Alan M. Yesavage**, Lenhartsville, PA (US)  
 (73) Assignee: **Victaulic Company**, Easton, PA (US)  
 (\*\*) Term: **15 Years**

(21) Appl. No.: **29/579,337**  
 (22) Filed: **Sep. 29, 2016**  
 (51) **LOC (11) Cl.** ..... **23-01**  
 (52) **U.S. Cl.**  
 USPC ..... **D23/262**  
 (58) **Field of Classification Search**  
 USPC ..... D23/259, 262–266, 233–237, 386;  
 D13/133; 285/31, 24, 27, 121.1, 123.3,  
 285/148.22, 347, 199, 179, 179.1,  
 285/180–182, 132.2, 132.15, 124.2,  
 285/135.4, 369, 372, 373, 417, 305;  
 137/12, 47, 220, 804, 37, 103, 109, 113,  
 137/120, 140, 155; 251/82, 142, 149,  
 251/149.8, 147, 148; D8/249, 382,  
 D8/394–397, 359, 363; 165/154–155,  
 165/164, 181; 138/111–112, 114  
 CPC . F16L 33/23; F16L 33/28; F16L 33/00; F16L  
 33/01; F16L 41/00; F16L 41/06; F16L  
 55/18; F16L 17/00; F16L 23/00; F16L  
 21/02; F16L 21/06; F16L 9/18; F16L  
 9/20; F16L 39/005; F16L 21/005; F16L  
 37/144; E03C 1/26; E03C 1/28; E03C  
 1/262; E03C 1/122; E03C 1/292; F16J  
 15/22; F16J 1/005; F28D 7/103; F28D  
 7/106; F28F 1/24; F28F 1/32; B29C  
 33/123

See application file for complete search history.

(56) **References Cited**

U.S. PATENT DOCUMENTS

D283,486 S *	4/1986	Fogel .....	D8/396
D438,783 S *	3/2001	Elliott .....	F16L 23/10 D8/396
D583,444 S *	12/2008	Nagle .....	D23/262
D590,925 S *	4/2009	Nagle .....	D23/262
D597,635 S *	8/2009	Dole .....	D23/262
D598,076 S *	8/2009	Dole .....	D23/262
D600,326 S *	9/2009	Gibb .....	D23/265
D616,533 S *	5/2010	Bowman .....	D23/262
D618,312 S *	6/2010	Madara .....	D23/262

(Continued)

*Primary Examiner* — Eric L Goodman  
*Assistant Examiner* — Amy C Wierenga  
 (74) *Attorney, Agent, or Firm* — John A. Chionchio, Esq.

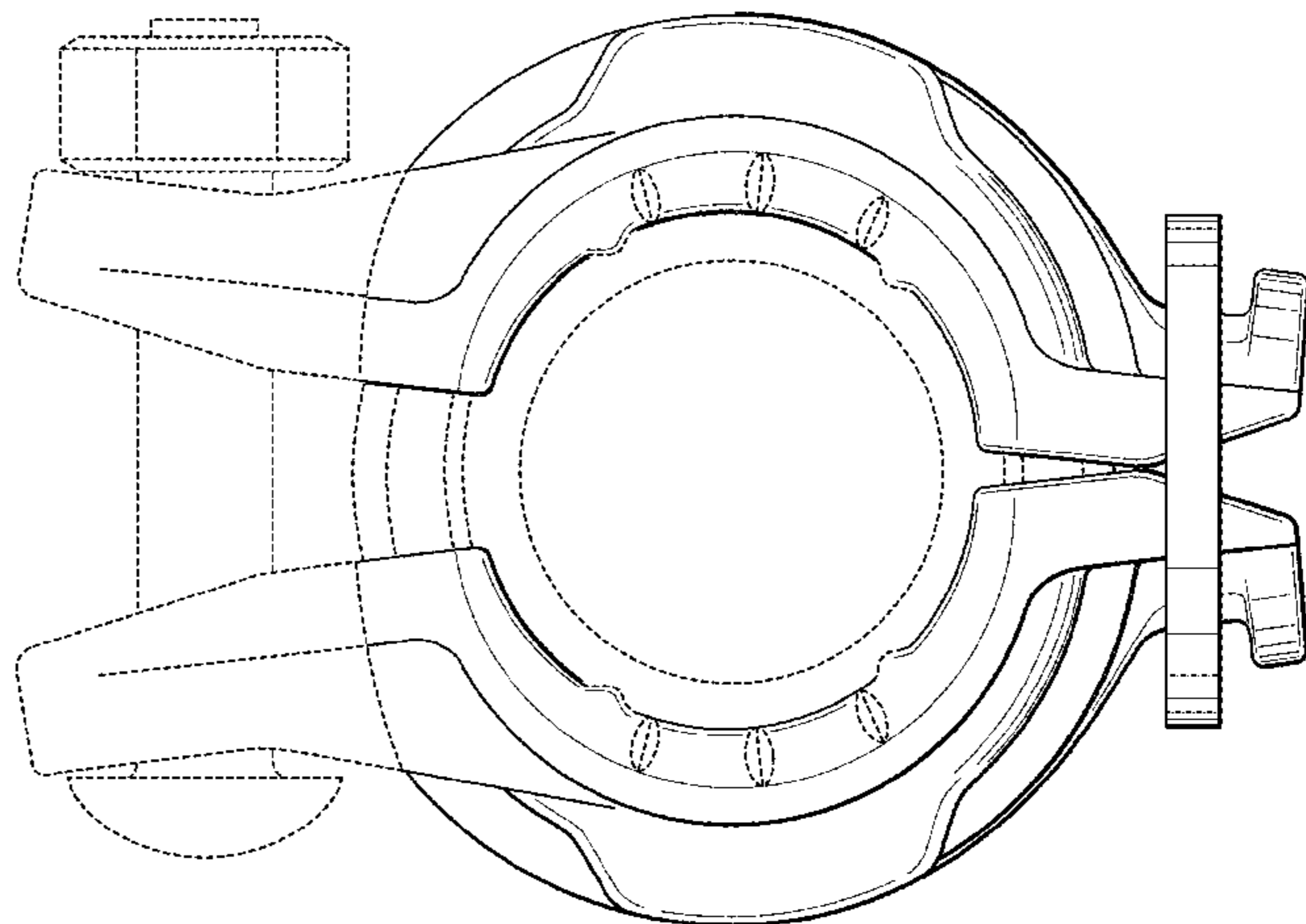
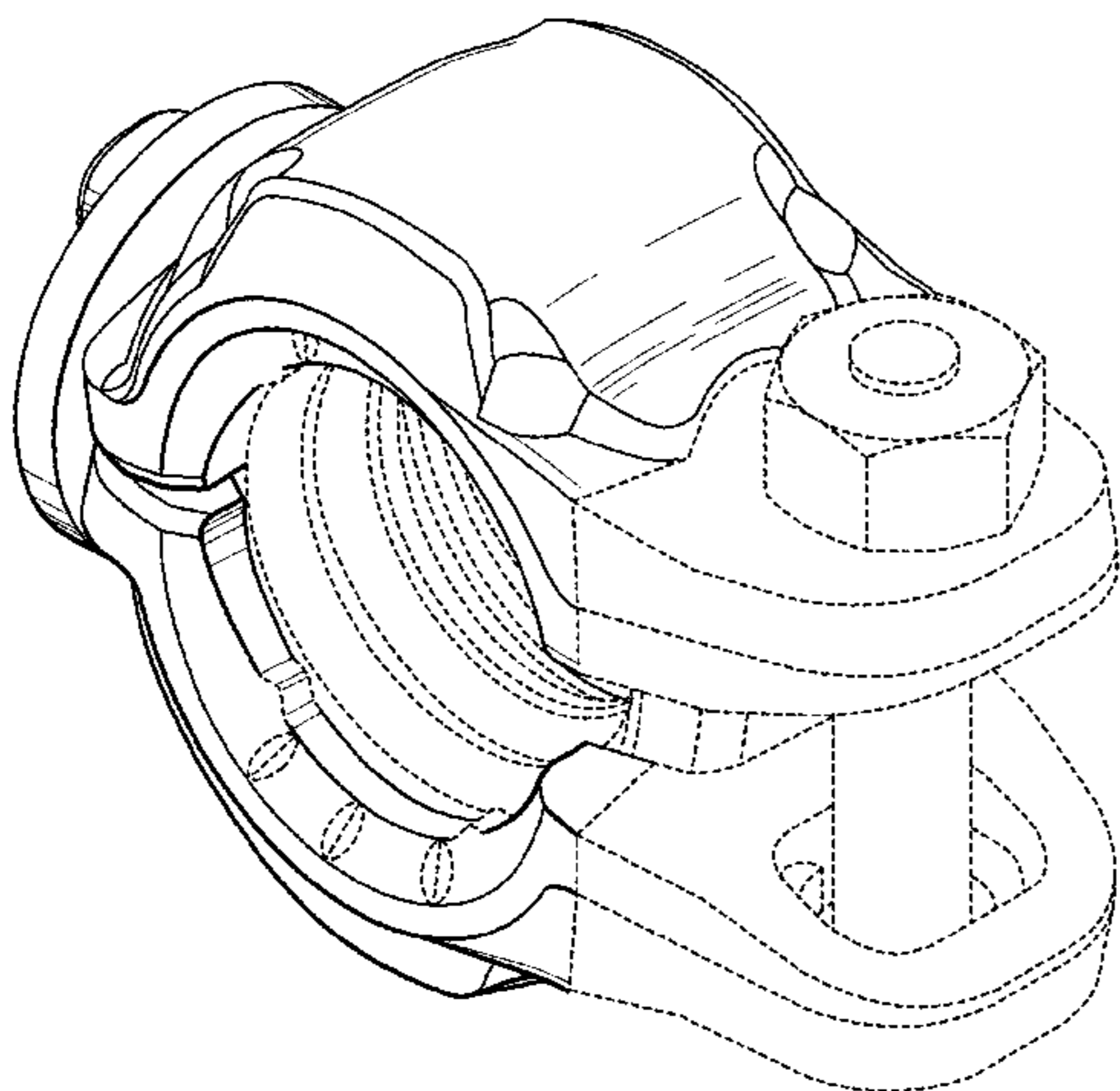
(57) **CLAIM**

We claim the ornamental design for a pipe coupling, as shown and described.

**DESCRIPTION**

FIG. 1 is an isometric view of our design for a pipe coupling; FIG. 2 is a top view of the design for the pipe coupling shown in FIG. 1; FIG. 3 is a bottom view of the design for the pipe coupling shown in FIG. 1; FIG. 4 is a left side view of the design for the pipe coupling shown in FIG. 1, the right side view being a mirror image thereof; FIG. 5 is a front view of the design for the pipe coupling shown in FIG. 1; and, FIG. 6 is a rear view of the design for the pipe coupling shown in FIG. 1.  
 The broken lines shown in the figures illustrate portions of the pipe coupling that form no part of the claimed design.

**1 Claim, 4 Drawing Sheets**



(56)

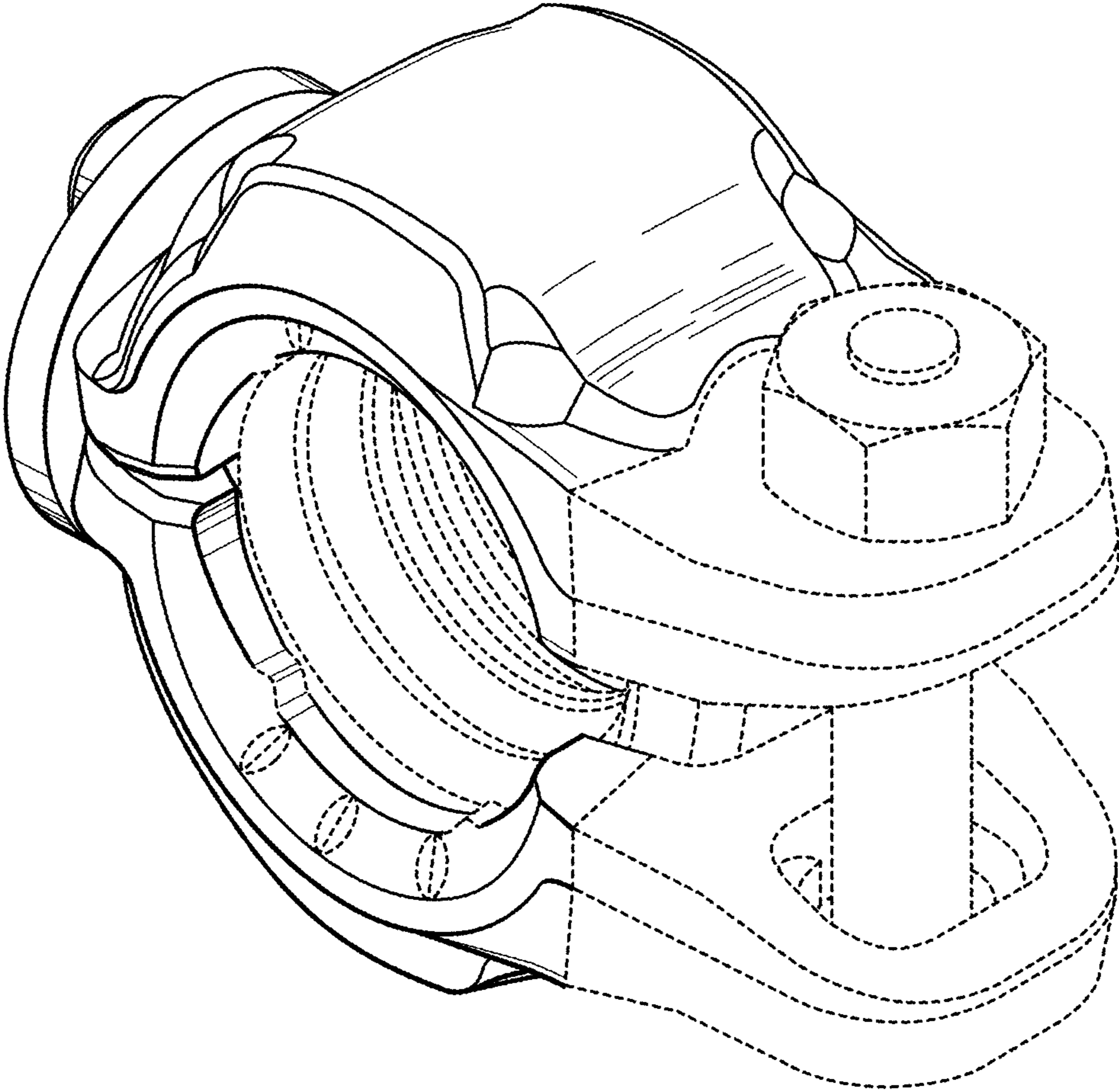
**References Cited**

U.S. PATENT DOCUMENTS

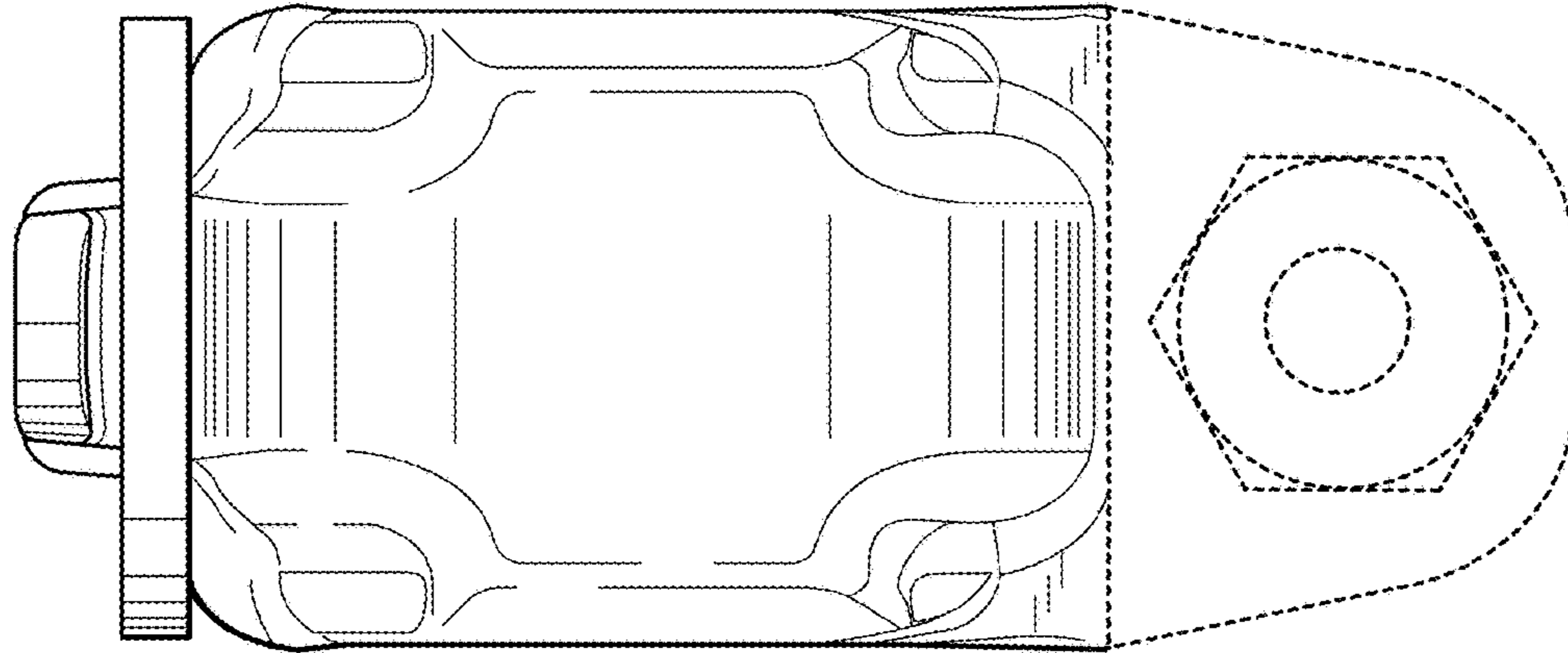
D625,784	S	*	10/2010	Bowman	.....	D23/262
D625,785	S	*	10/2010	Madara	.....	D23/262
D625,786	S	*	10/2010	Bowman	.....	D23/262
D625,788	S	*	10/2010	Madara	.....	D23/262
D626,200	S	*	10/2010	Bowman	.....	D23/262
D629,078	S	*	12/2010	Dole	.....	D23/262
D629,080	S	*	12/2010	Dole	.....	D23/262
D680,630	S	*	4/2013	Beagen, Jr.	.....	D23/262
D700,835	S	*	3/2014	Langlois	.....	D8/396
D794,440	S	*	8/2017	Papafagos	.....	D8/396
2012/0256415	A1	*	10/2012	Dole	.....	F16L 17/04 285/337
2014/0327238	A1	*	11/2014	Bowman	.....	F16L 17/04 285/112

\* cited by examiner

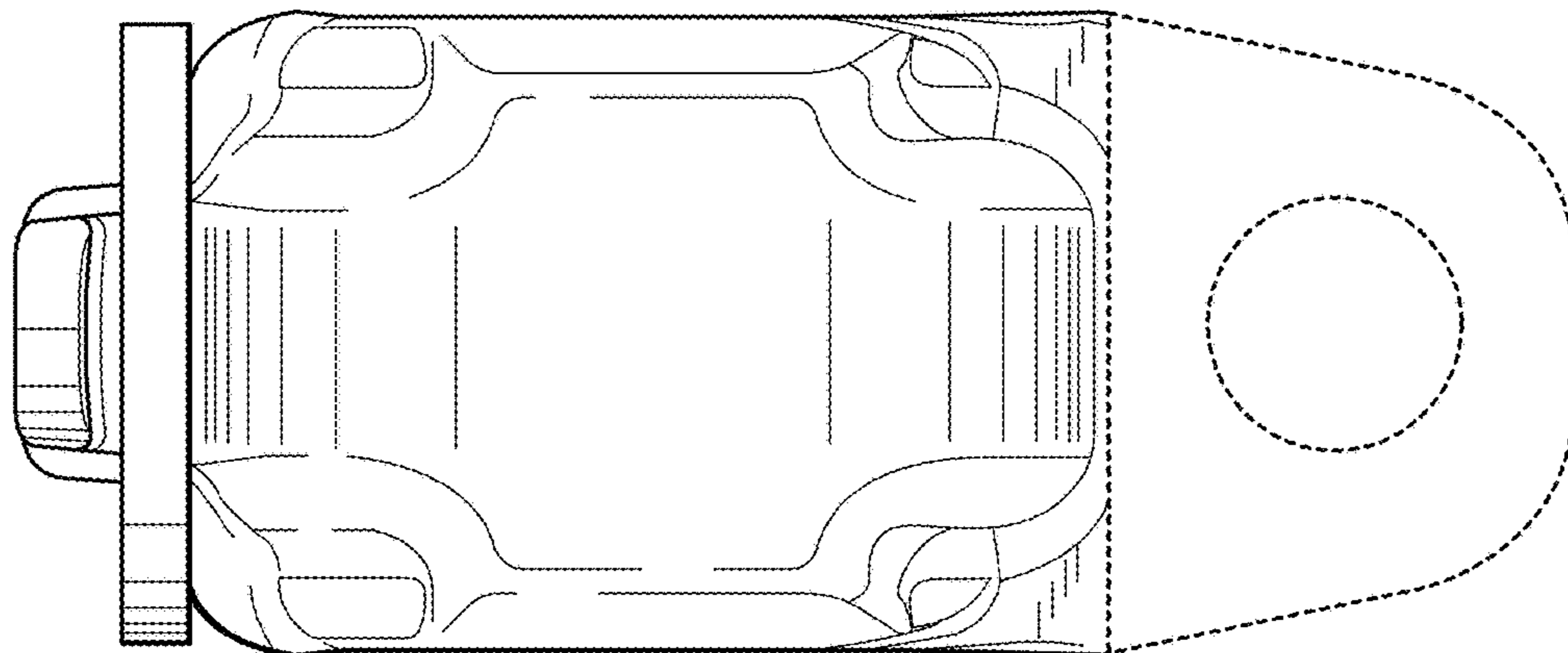
**FIG. 1**



**FIG. 2**

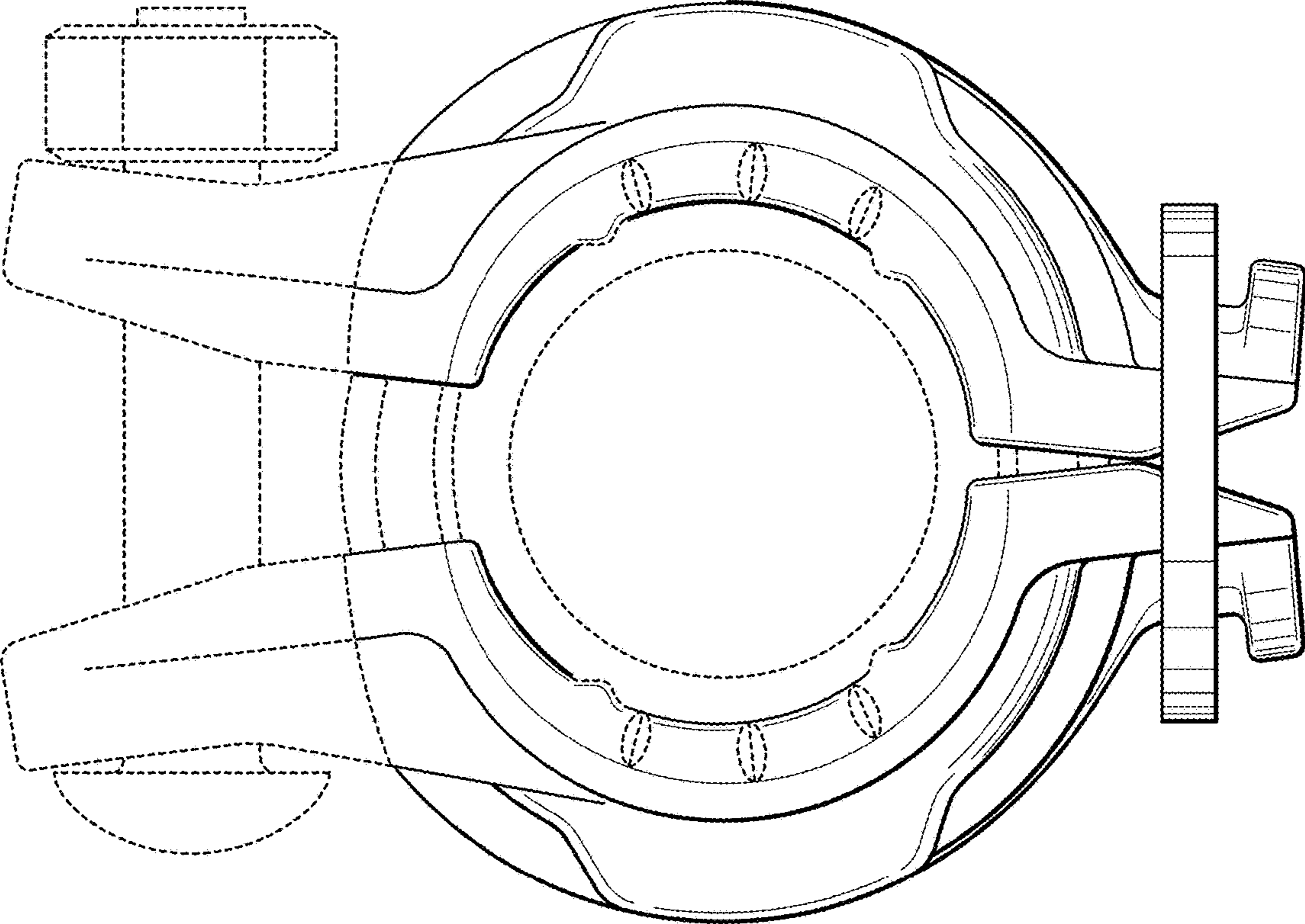


**FIG. 3**

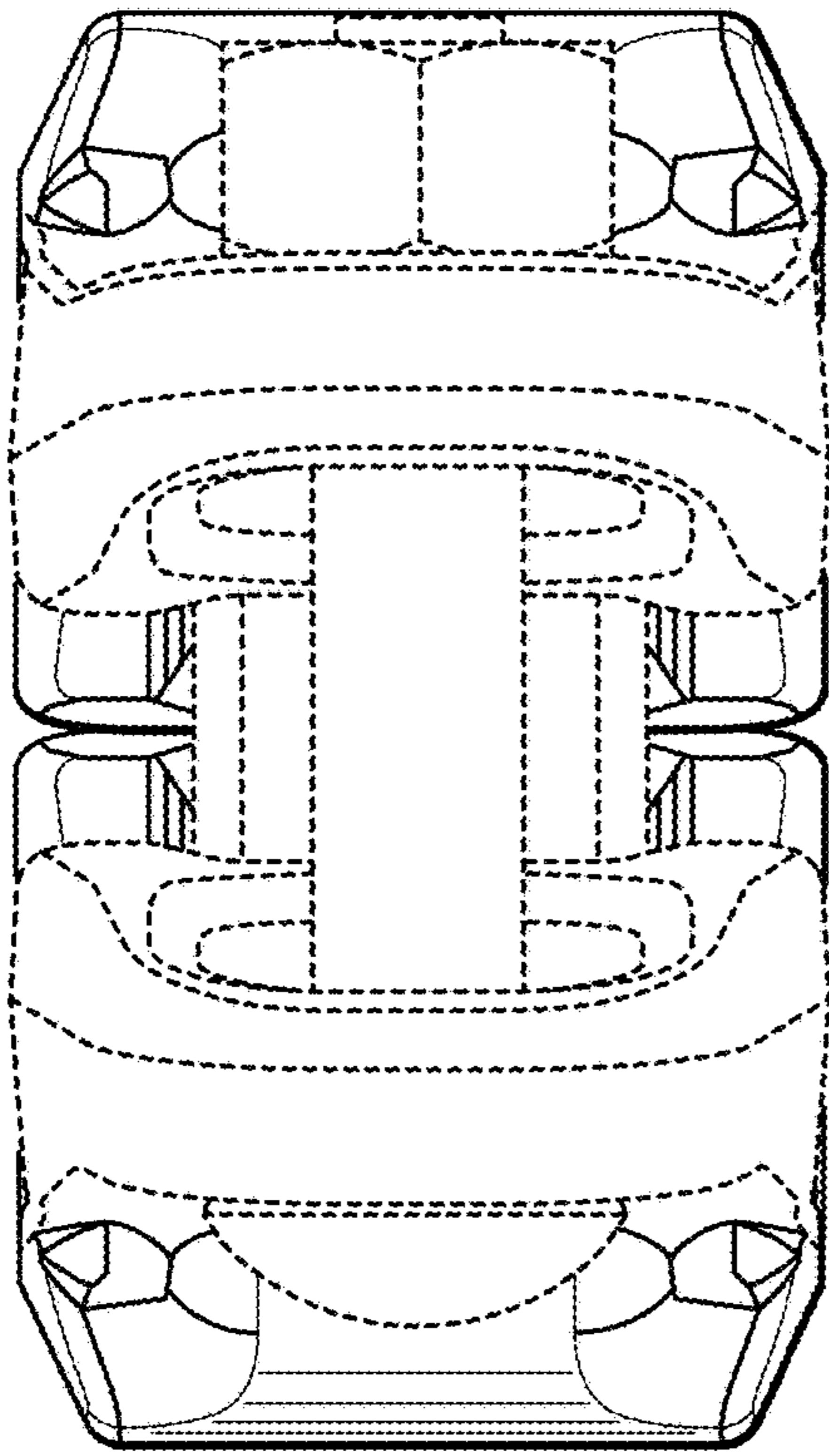




**FIG. 4**



**FIG. 5**



**FIG. 6**

