



US00D823442S

(12) **United States Design Patent**
Sugatani et al.

(10) **Patent No.:** **US D823,442 S**
(45) **Date of Patent:** **** Jul. 17, 2018**

- (54) **CAP FOR PIPE ADAPTER FOR WATER HEATER**
- (71) Applicants: **NORITZ CORPORATION**, Hyogo (JP); **Living Engineering Co., Ltd.**, Tokyo (JP); **Mirai Industry Co., Ltd.**, Gifu (JP)
- (72) Inventors: **Masaki Sugatani**, Akashi (JP); **Takanori Nagano**, Kakogawa (JP); **Hironao Matsunaga**, Amagasaki (JP); **Takahide Hasegawa**, Kakogawa (JP); **Kiyomi Kanamoto**, Tokyo (JP); **Yasuhide Satoh**, Tokyo (JP); **Shohei Matsuda**, Ogaki (JP)
- (73) Assignees: **NORITZ CORPORATION**, Hyogo (JP); **Tokyo Gas Living Engineering Co., Ltd.**, Tokyo (JP); **Mirai Industry Co., Ltd.**, Gifu (JP)

- (**) Term: **15 Years**
- (21) Appl. No.: **29/578,877**
- (22) Filed: **Sep. 26, 2016**
- (51) **LOC (11) Cl.** **23-01**
- (52) **U.S. Cl.**
USPC **D23/262**
- (58) **Field of Classification Search**
USPC D23/259, 262-266, 233-237, 258, 268, D23/386, 261, 387, 393; D13/133; 285/31, 24, 27, 121.1, 123.3, 148.22, 347, 285/199, 179, 179.1, 180-182, 132.2, 285/132.15, 124.2, 135.4, 16, 55, 119, 285/176, 127, 369, 372, 373, 417; 137/12, 47, 220, 804; 138/37, 103, 109, 138/113, 120, 140, 155, 111-112, 114; D8/349, 382, 394-397, 359, 363; 165/154-155, 164, 181; 4/679; D32/31-33

(Continued)

- (56) **References Cited**
U.S. PATENT DOCUMENTS
D229,496 S * 12/1973 Hand D23/262
4,632,437 A * 12/1986 Robson F16L 37/101
285/243
D296,559 S * 7/1988 Drabinski D15/140
5,131,572 A * 7/1992 Spengler B67D 3/047
222/545

(Continued)

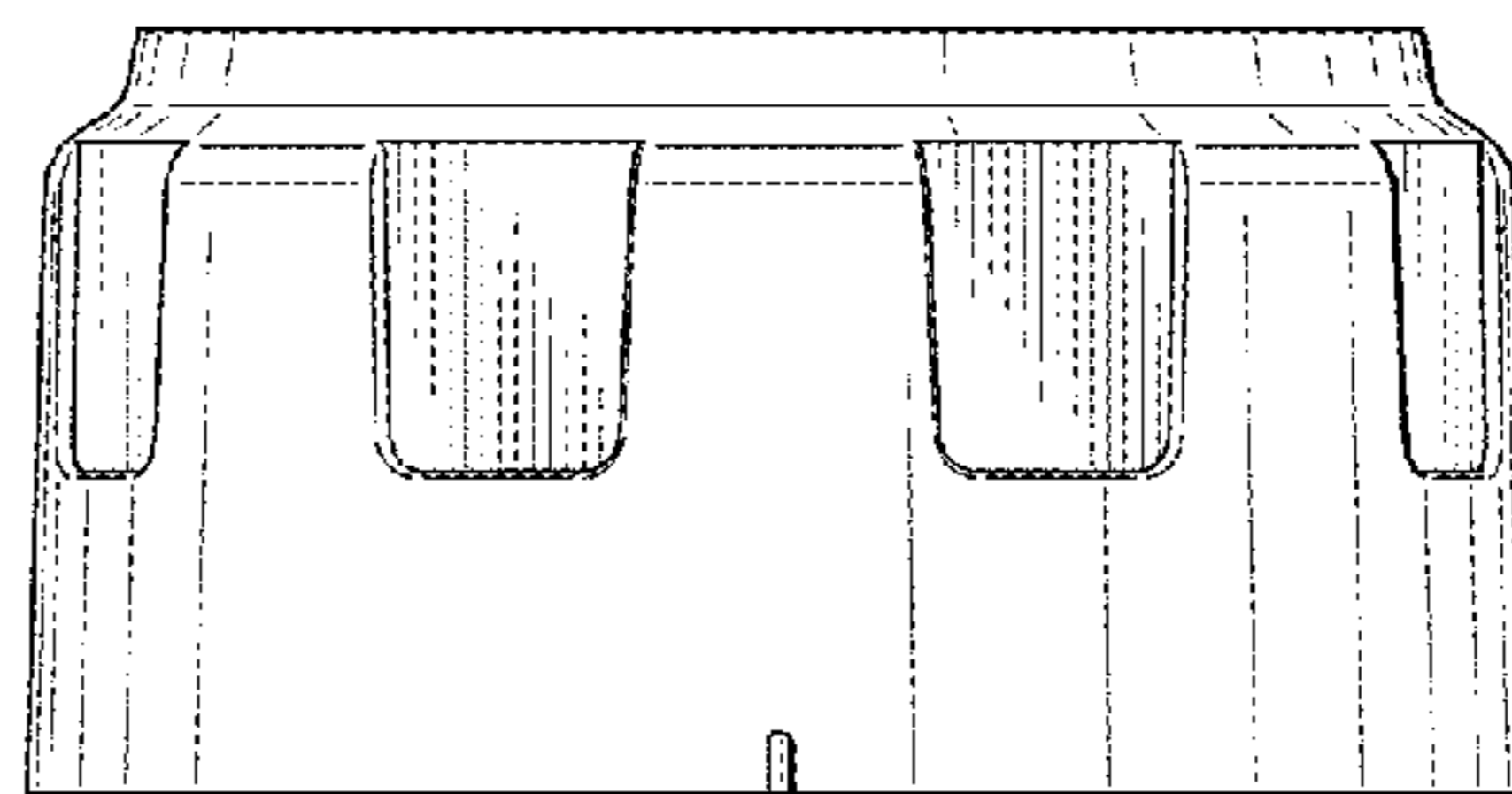
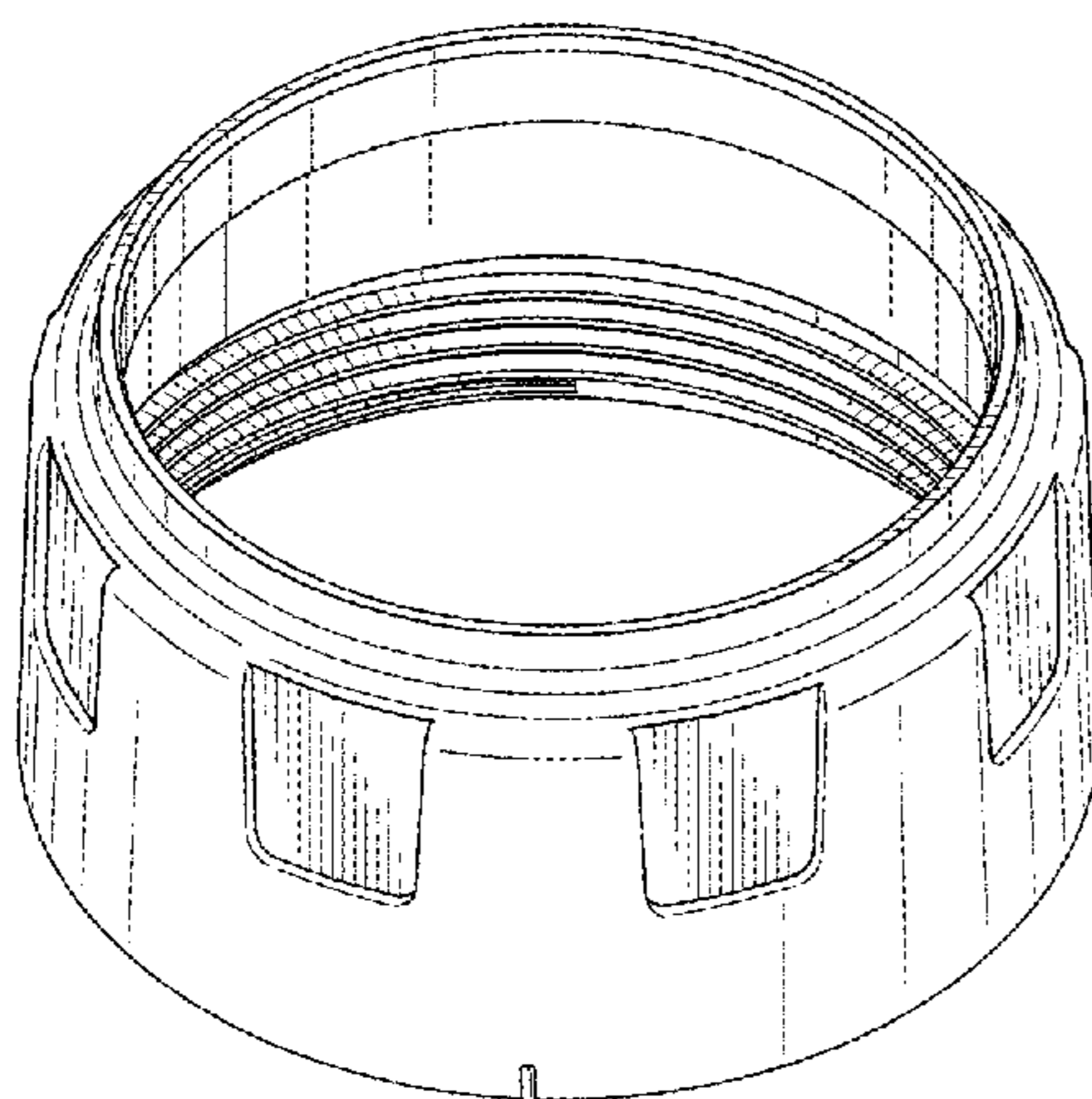
Primary Examiner — Eric L Goodman
Assistant Examiner — Amy C Wierenga
(74) *Attorney, Agent, or Firm* — Studebaker & Brackett PC

- (57) **CLAIM**
The ornamental design for a cap for pipe adapter for water heater, as shown and described.

DESCRIPTION

FIG. 1 is a perspective view 1 of a cap for pipe adapter for water heater showing the present design; FIG. 2 is a perspective view 2 thereof; FIG. 3 is a front view thereof; FIG. 4 is a rear view thereof; FIG. 5 is a top view thereof; FIG. 6 is a bottom view thereof; FIG. 7 is a right side view thereof; FIG. 8 is a left side view thereof; FIG. 9 is a cross sectional view taken along line IX-IX of FIG. 5 thereof; FIG. 10 is a cross sectional view taken along line X-X of FIG. 5 thereof; FIG. 11 is a cross sectional view taken along line XI-XI of FIG. 5 thereof; FIG. 12 is a cross sectional view taken along line XII-XII of FIG. 5 thereof; and, FIG. 13 is a perspective view shown in a state of use. The evenly spaced broken lines shown in FIG. 13 depict environmental subject matter that forms no part of the claimed design.

1 Claim, 6 Drawing Sheets



(58) **Field of Classification Search**

CPC . F16L 33/23; F16L 33/28; F16L 33/00; F16L 33/01; F16L 41/00; F16L 41/06; F16L 55/18; F16L 17/00; F16L 23/00; F16L 21/02; F16L 21/06; F16L 9/18; F16L 9/20; F16L 39/005; F16L 43/00; F16L 2101/30; F16L 21/005; F16L 37/144; F16L 37/08; F16L 37/0845; F16L 37/0841; F16L 37/02; E03C 1/26; E03C 1/28; E03C 1/262; E03C 1/20; E03C 1/122; E03C 1/232; F16J 15/22; F16J 1/005; F28D 7/103; F28D 7/106; F28F 1/24; F28F 1/32; B29C 33/123

See application file for complete search history.

(56) **References Cited**

U.S. PATENT DOCUMENTS

5,356,183	A *	10/1994	Cole	F16L 25/0045 285/148.27
5,393,104	A *	2/1995	Zornow	B26D 7/2628 285/148.19
7,699,356	B2 *	4/2010	Bucher	F16L 37/088 285/244
D646,373	S *	10/2011	Liebson	D23/393
D736,357	S *	8/2015	Melo	D23/262
2001/0002754	A1 *	6/2001	Dobler	F16L 37/088 285/321
2005/0161946	A1 *	7/2005	Bauer	F16L 37/088 285/305
2010/0156097	A1 *	6/2010	Steiner	F16L 13/141 285/305

* cited by examiner

FIG.1

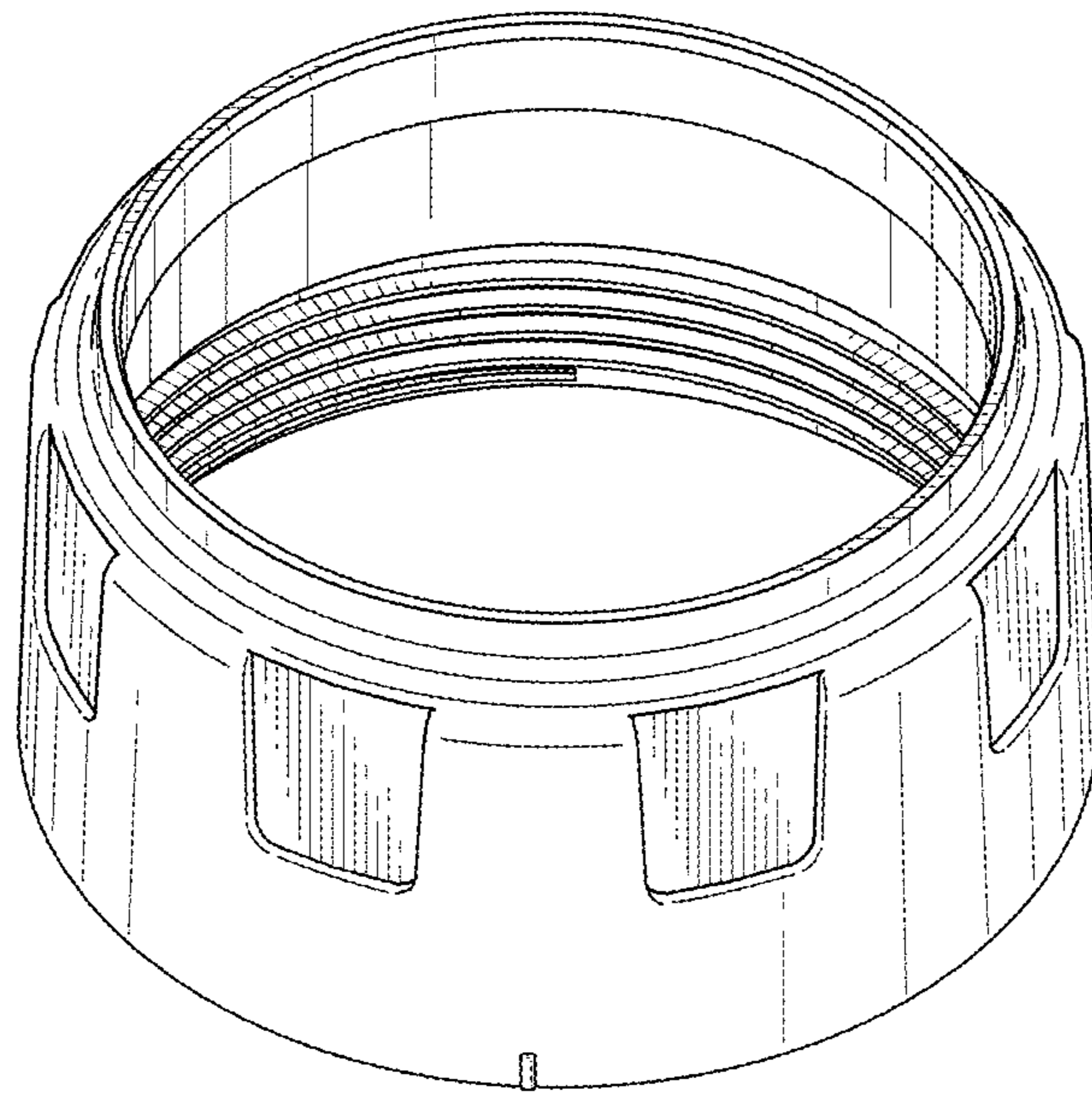


FIG.2

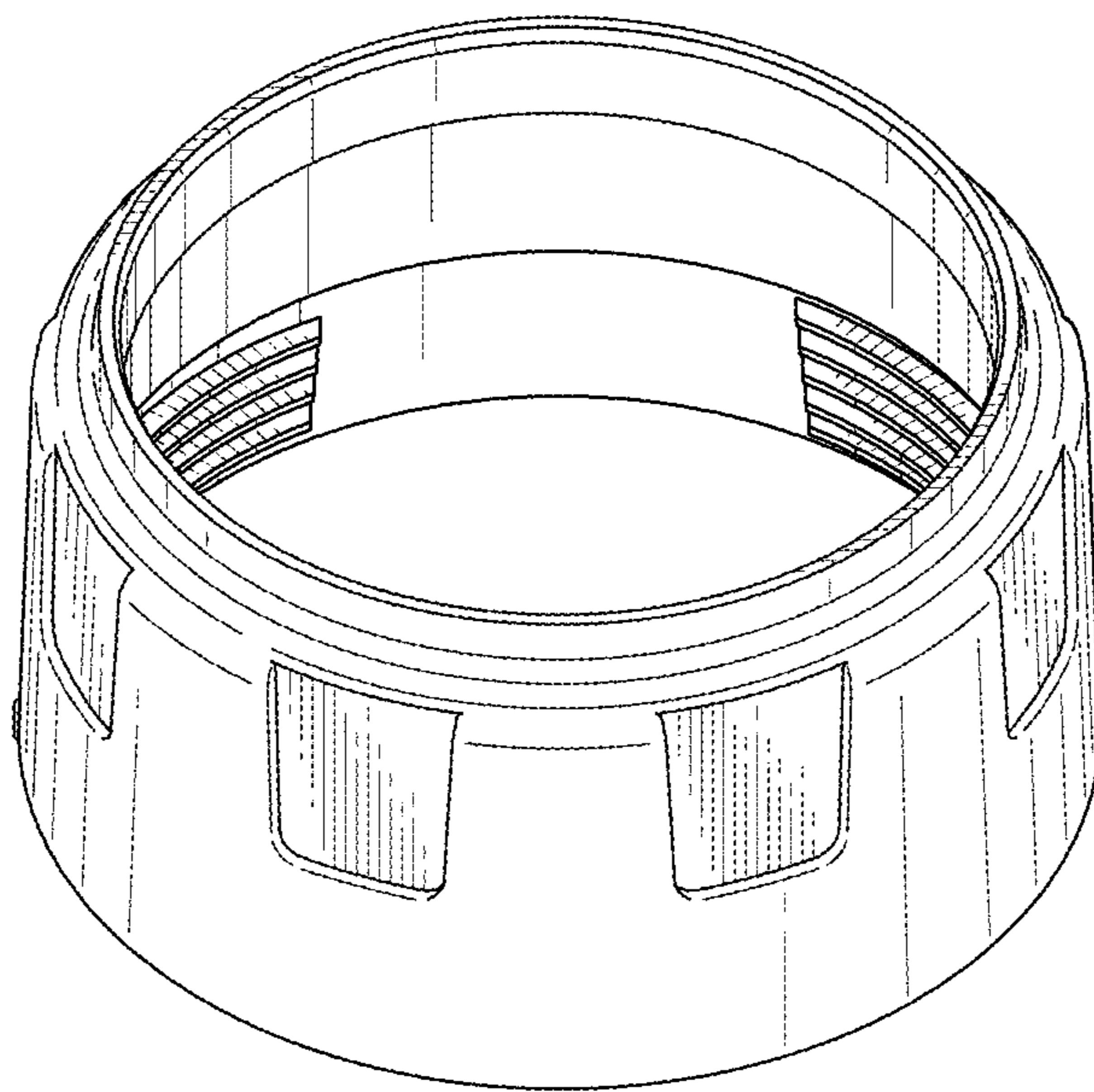


FIG.3

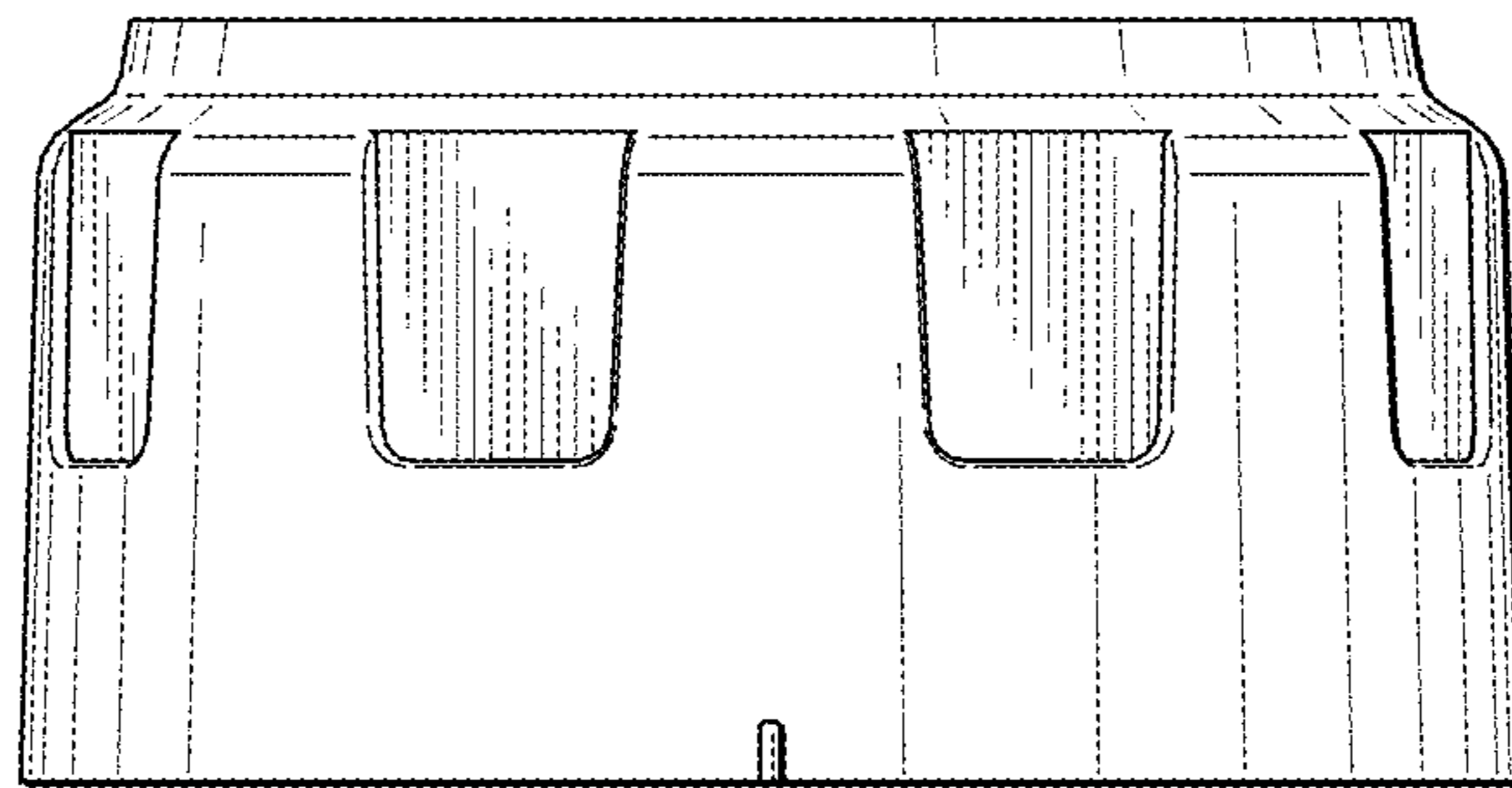


FIG.4

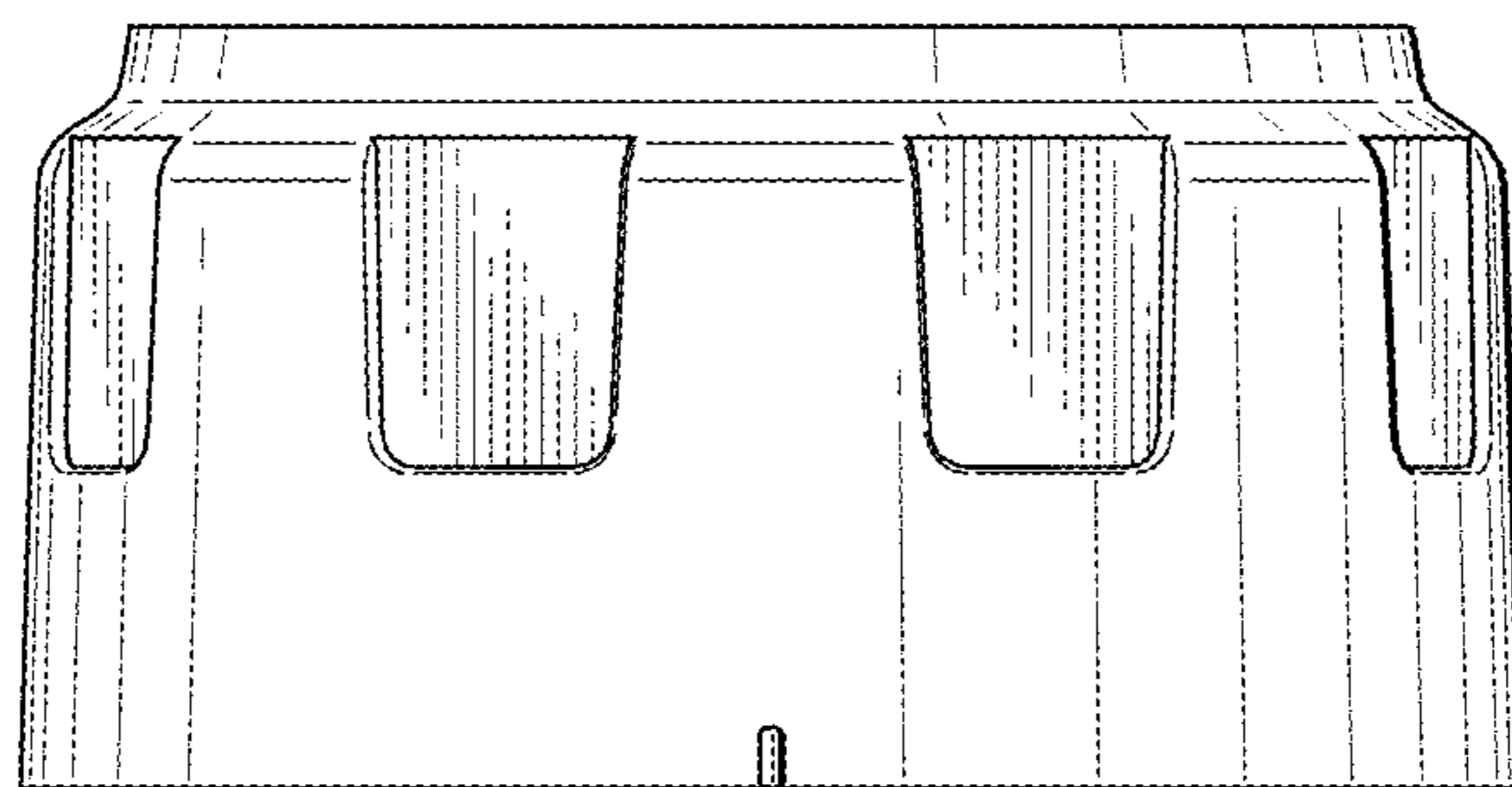


FIG.5

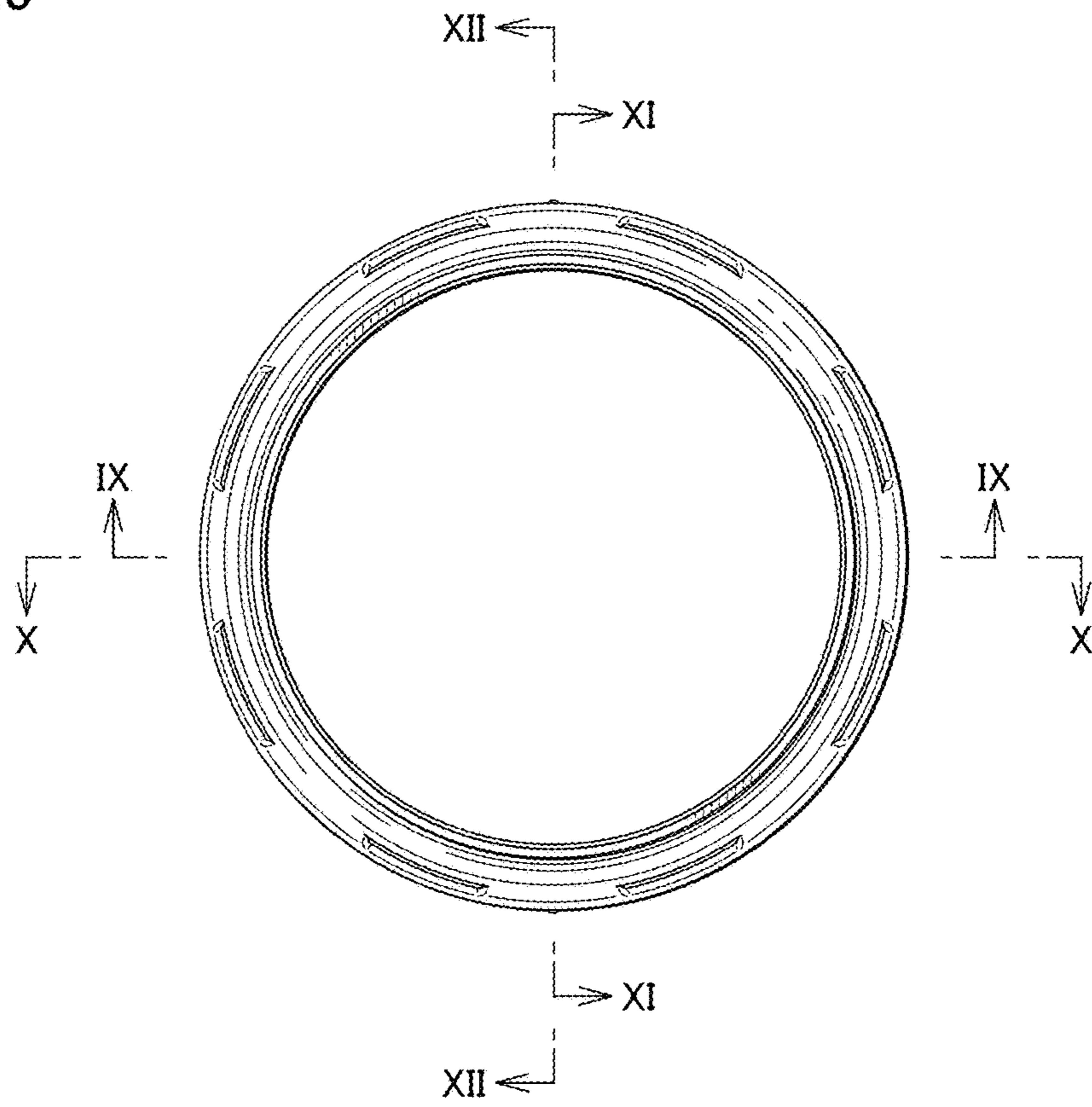


FIG.6

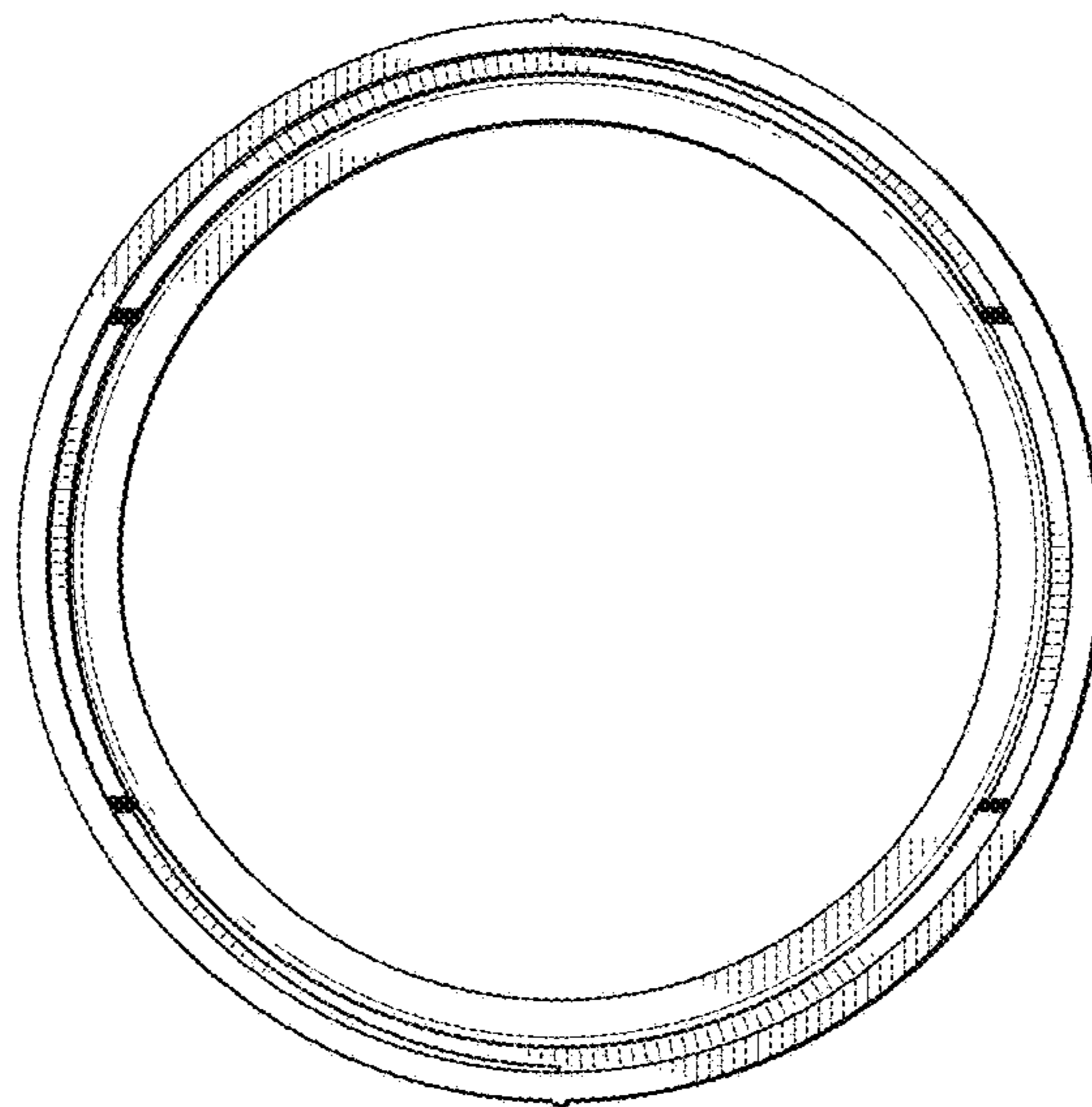


FIG.7

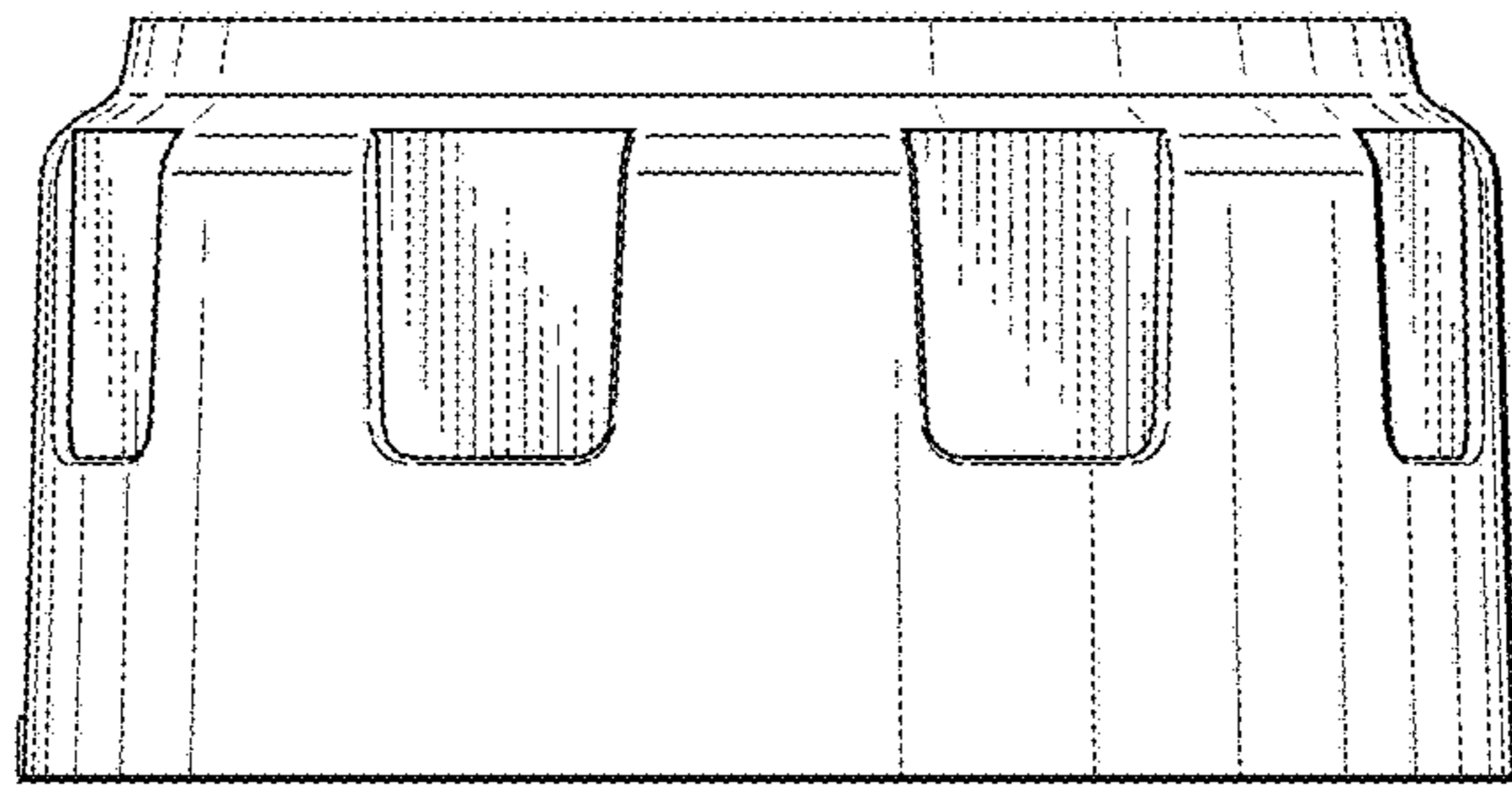


FIG.8

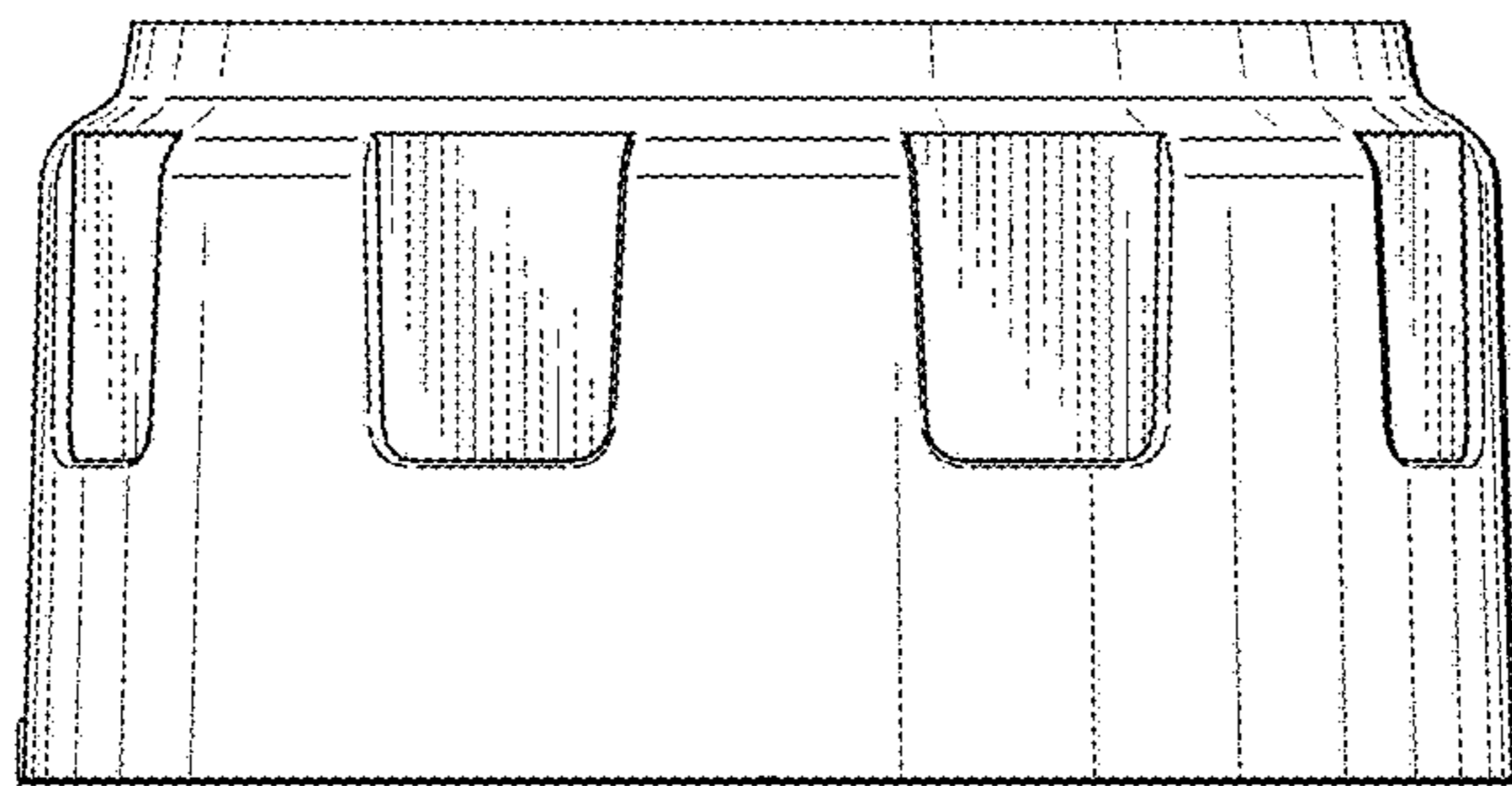


FIG.9

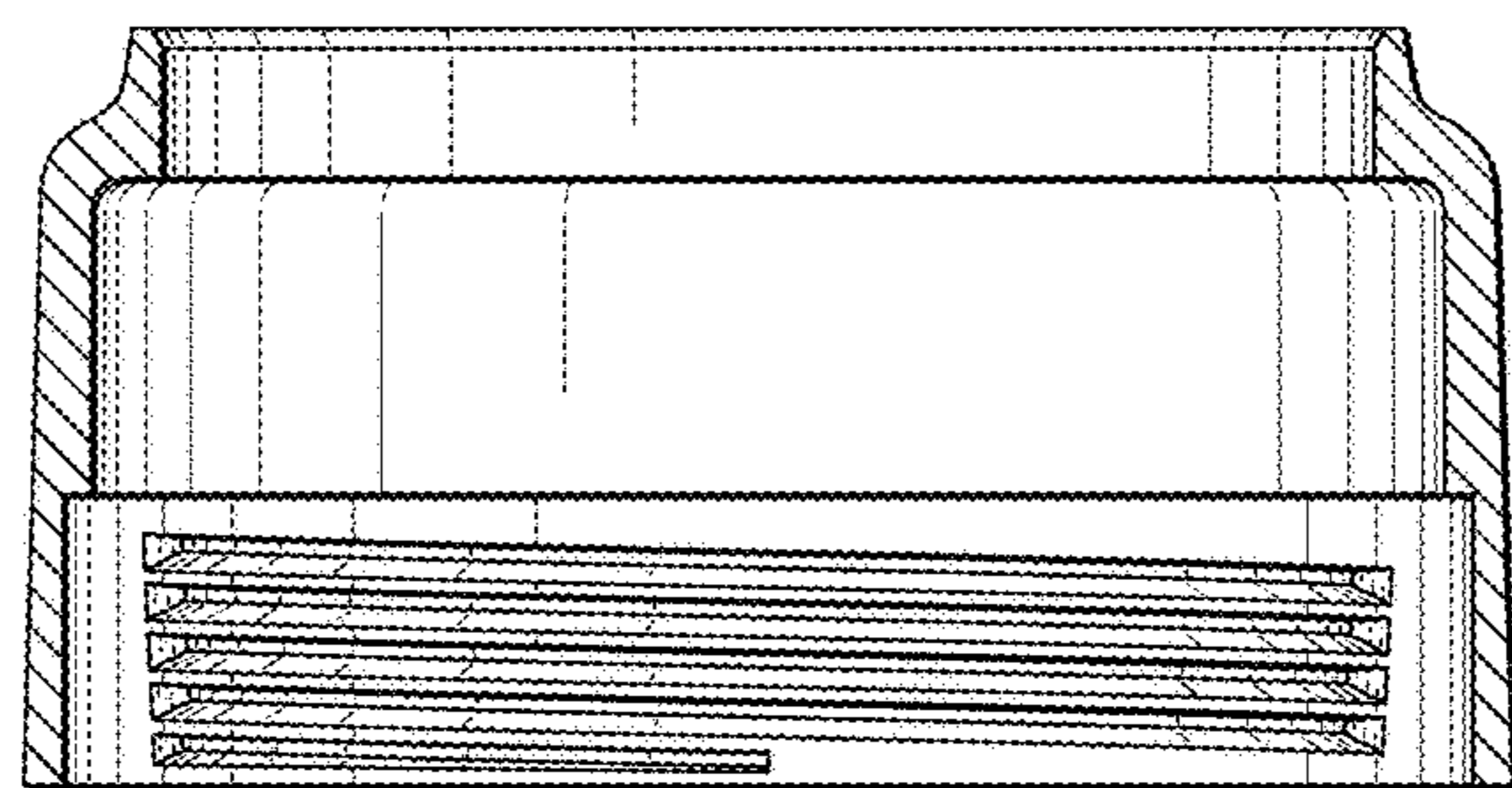


FIG.10

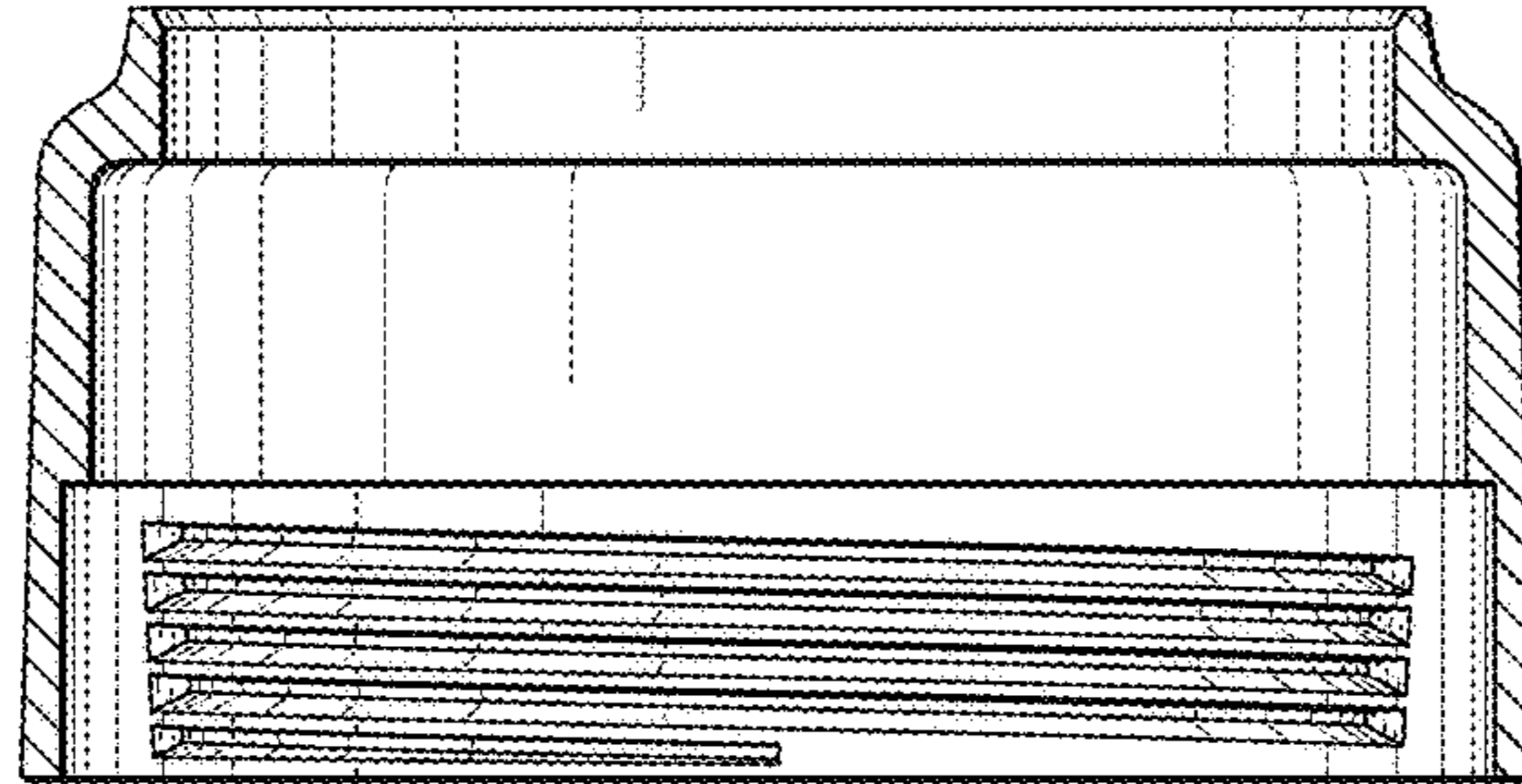


FIG.11

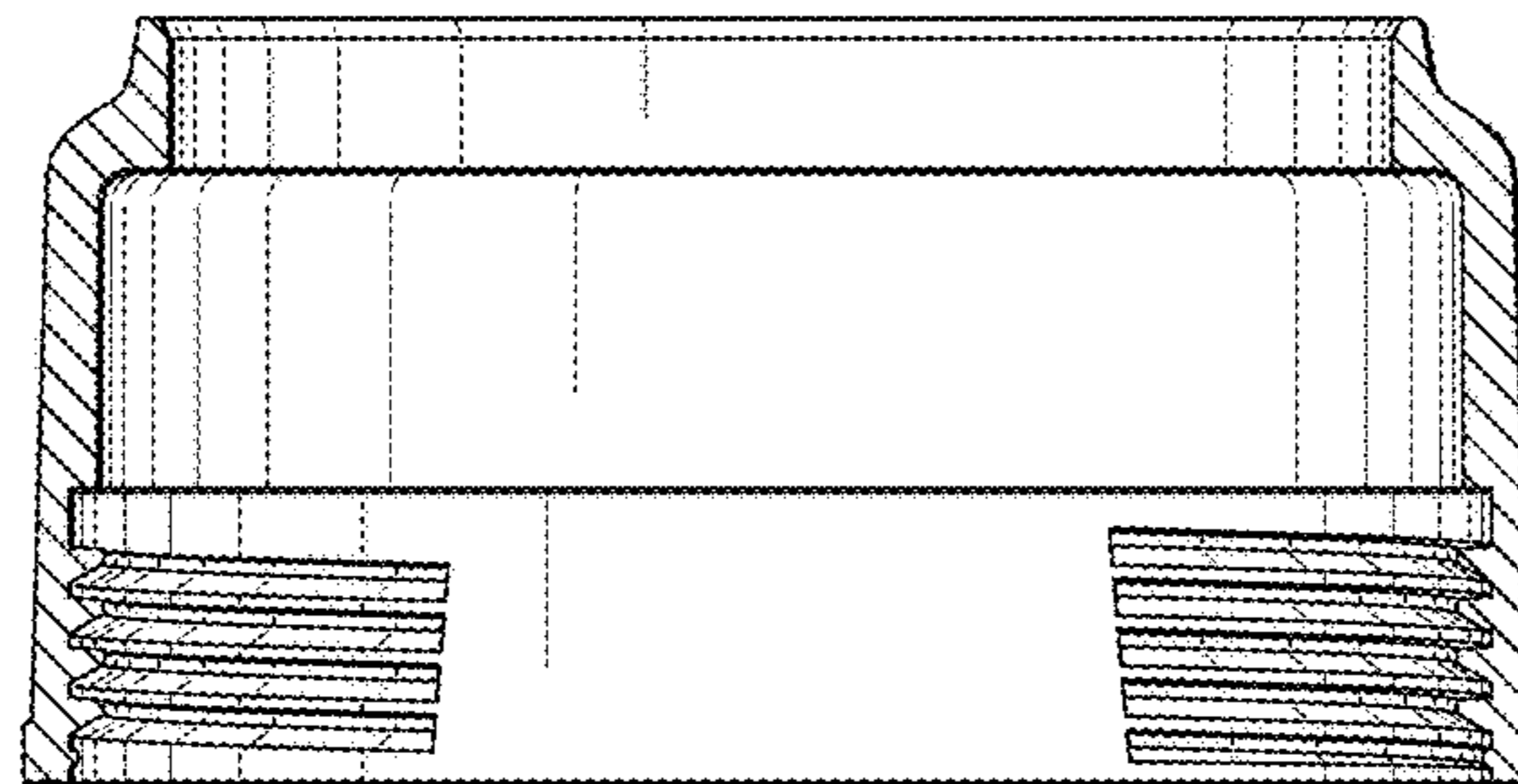


FIG.12

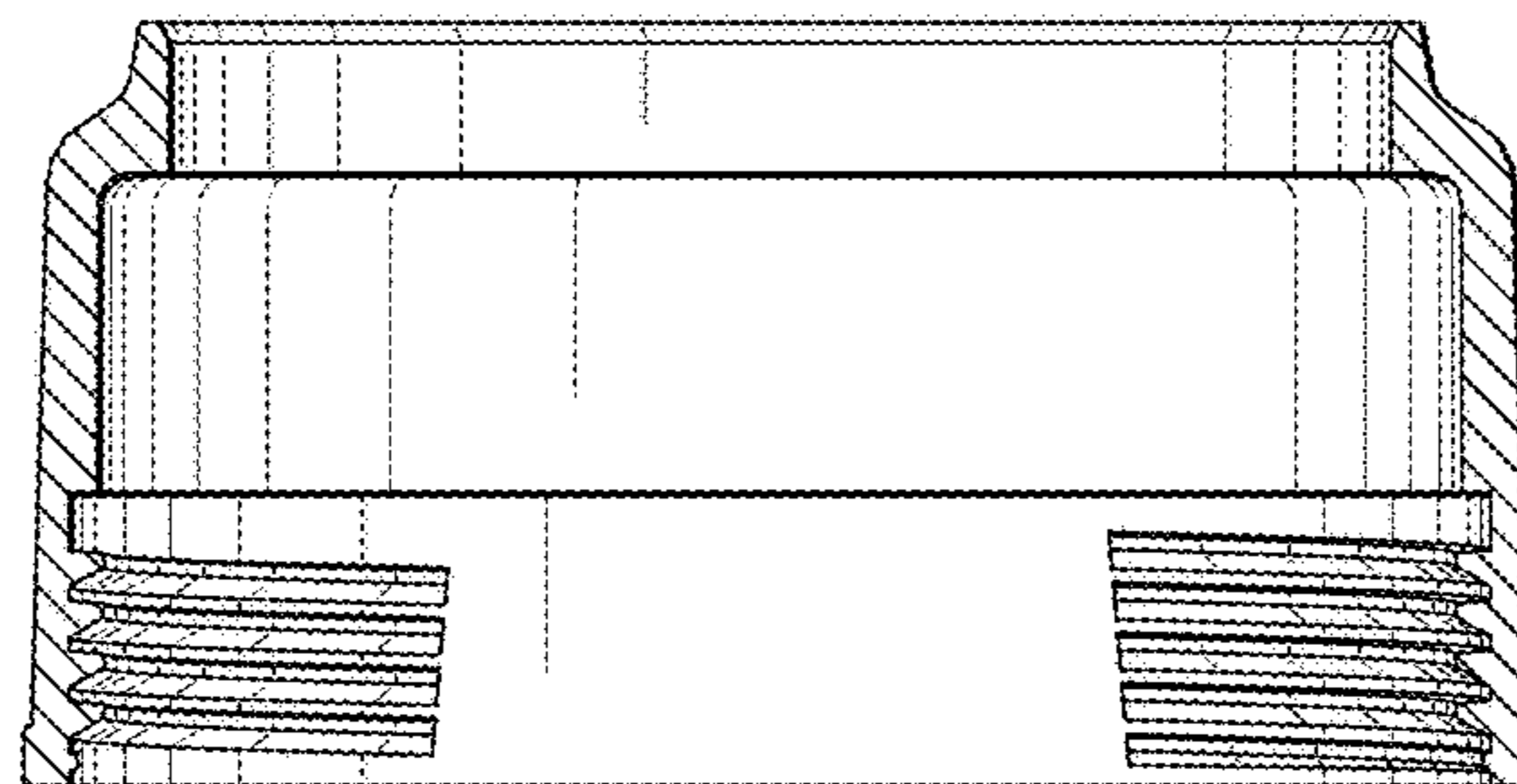


FIG.13

