



US00D823441S

(12) **United States Design Patent** (10) **Patent No.:** **US D823,441 S**
Soulier et al. (45) **Date of Patent:** **** Jul. 17, 2018**

(54) **FAUCET**
(71) Applicant: **Kohler Co.**, Kohler, WI (US)
(72) Inventors: **Jean-Hugues Soulier**, Paris (FR);
Ferran Serra Sola, Paris (FR)
(73) Assignee: **KOHLER CO.**, Kohler, WI (US)
(**) Term: **15 Years**
(21) Appl. No.: **29/595,301**
(22) Filed: **Feb. 27, 2017**
(51) **LOC (11) Cl.** **23-01**
(52) **U.S. Cl.**
USPC **D23/255**
(58) **Field of Classification Search**
USPC D23/238–243, 249–250, 252, 254–255,
D23/257; D8/300, 307–308
CPC ... Y10T 137/9464; E03C 1/04; E03C 1/0401;
E03C 1/0402; E03C 1/0404; E03C
1/0405; E03C 1/0412
See application file for complete search history.

D750,203 S * 2/2016 Flowers D23/238
D754,295 S * 4/2016 Lord D23/238
D755,350 S 5/2016 Rexach
D758,545 S * 6/2016 Yabu D23/238
D767,724 S * 9/2016 Flowers D23/238
D787,020 S * 5/2017 Ziemann D23/238

OTHER PUBLICATIONS

NPL_ALLMODERN_SINGLE_HANDLE; 6 pgs.
NPL_ALLMODERN_SINGLE_HANDLE_BATHROOM; 6pgs.

* cited by examiner

Primary Examiner — Robert A Delehanty
(74) *Attorney, Agent, or Firm* — Foley & Lardner LLP

(57) **CLAIM**

We claim the ornamental design for a faucet, as shown and described.

DESCRIPTION

FIG. 1 is a top, front, right perspective view of an embodiment of the claimed design;
FIG. 2 is a right side elevation view thereof;
FIG. 3 is a left side elevation view thereof;
FIG. 4 is a front elevation view thereof;
FIG. 5 is a rear elevation view thereof;
FIG. 6 is a top plan view thereof; and,
FIG. 7 is a bottom plan view thereof.

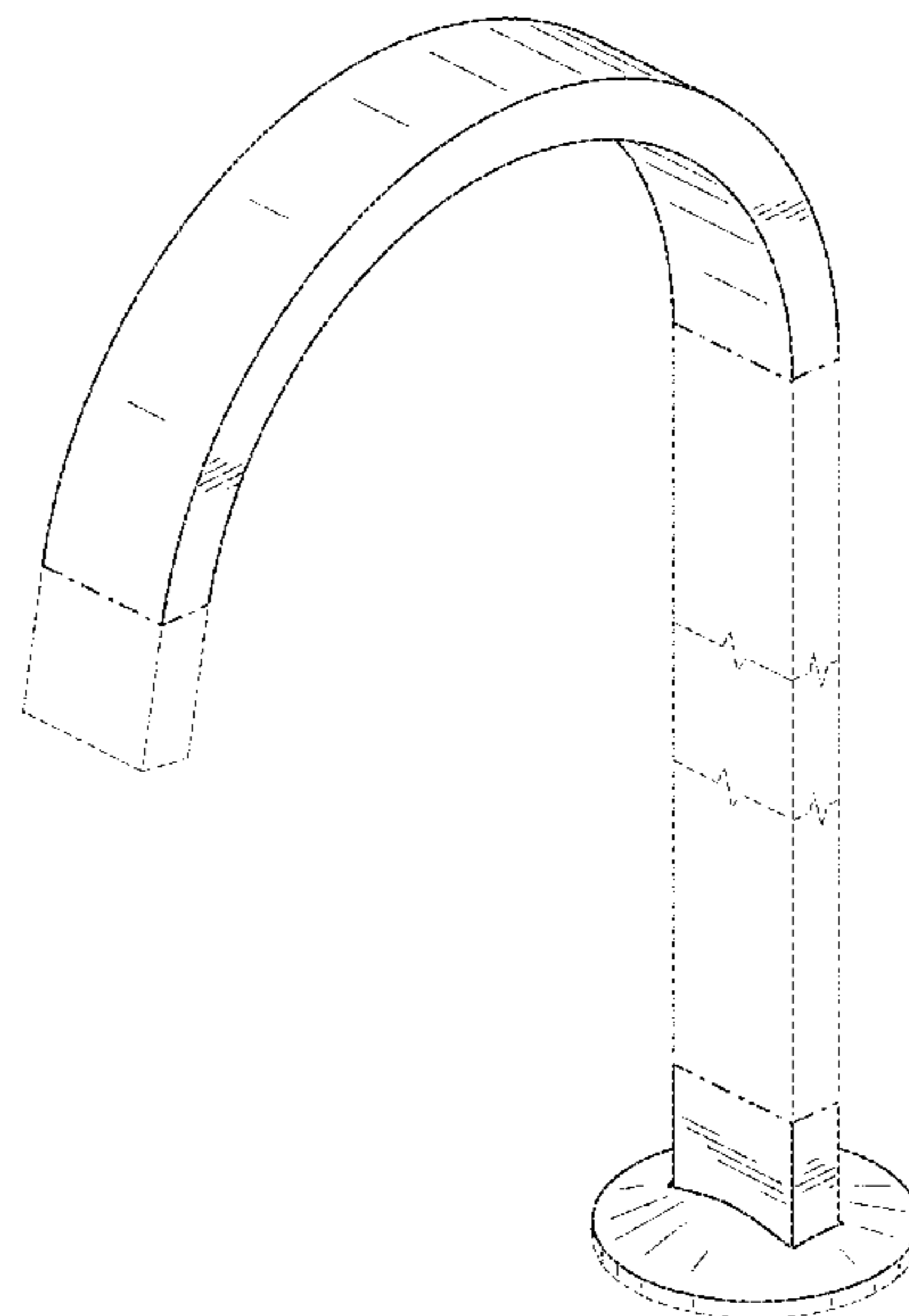
The ornamental design which is claimed is shown in solid lines in the drawings. The broken lines in the drawings are for illustrative purposes only and form no part of the claimed design. Broken lines formed by equal length dashes show unclaimed subject matter. Broken lines formed by unequal length dashes (i.e., dash-dot) define bounds of the claimed design. Broken away symbols having a jagged element depict unspecified length. The appearance of any portion of the article between the broken away symbols forms no part of the claimed design.

1 Claim, 5 Drawing Sheets

(56) **References Cited**

U.S. PATENT DOCUMENTS

D466,977 S * 12/2002 Cummings D23/238
D469,157 S * 1/2003 Lobermeier D23/238
D513,060 S * 12/2005 Ouyoung D23/238
D528,189 S * 9/2006 Kulig D23/238
D536,065 S * 1/2007 Wang D23/238
D571,893 S * 6/2008 Celli D23/238
D597,175 S * 7/2009 Kulig D23/238
D615,162 S * 5/2010 Pan D23/255
D636,062 S 4/2011 Rubin et al.
D676,531 S * 2/2013 Vibe-Petersen D23/255
D697,589 S 1/2014 Georgeson
D698,420 S 1/2014 Hahn et al.
D713,008 S * 9/2014 Citterio D23/238
D735,297 S * 7/2015 Sieger D23/238



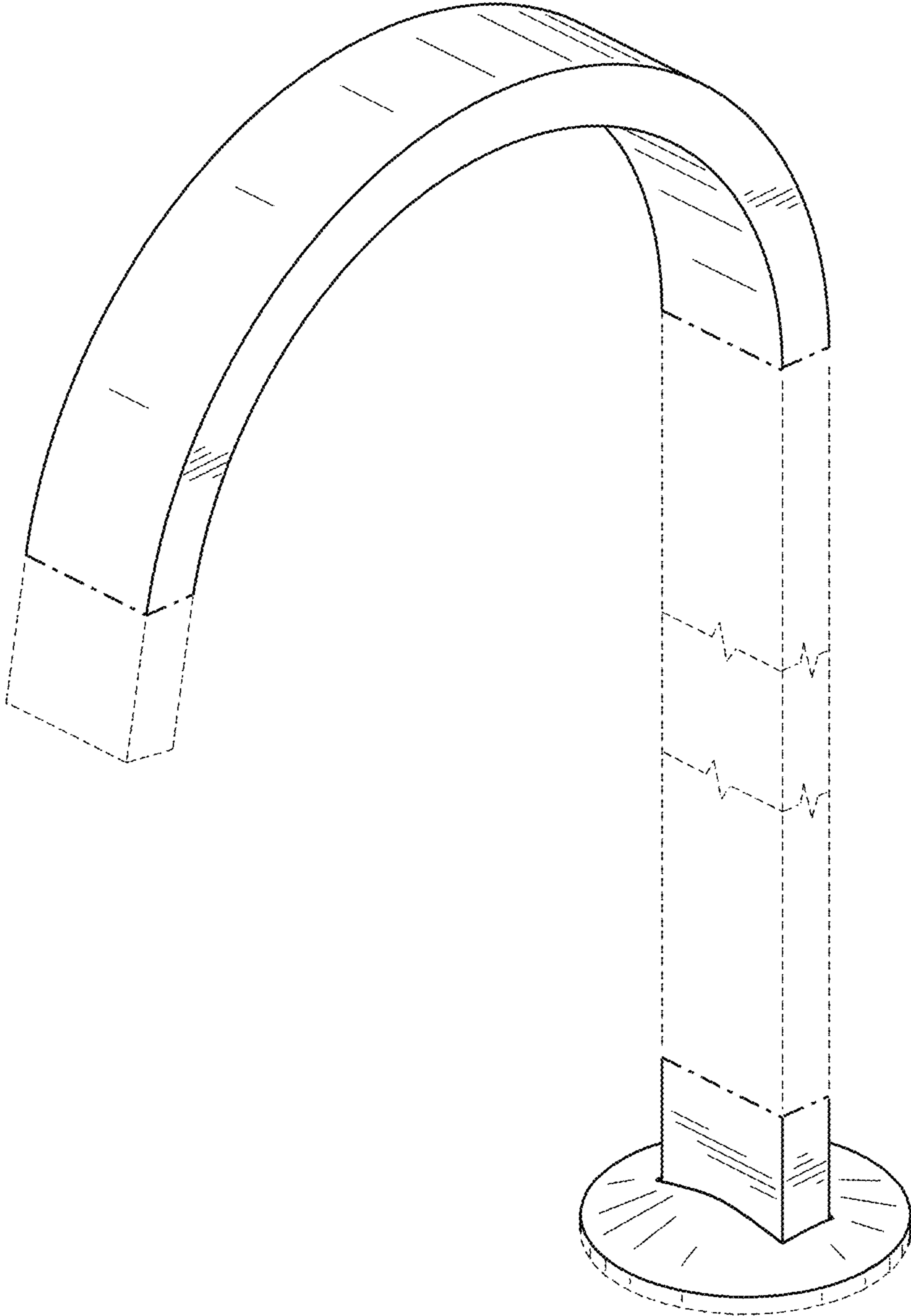


FIG. 1

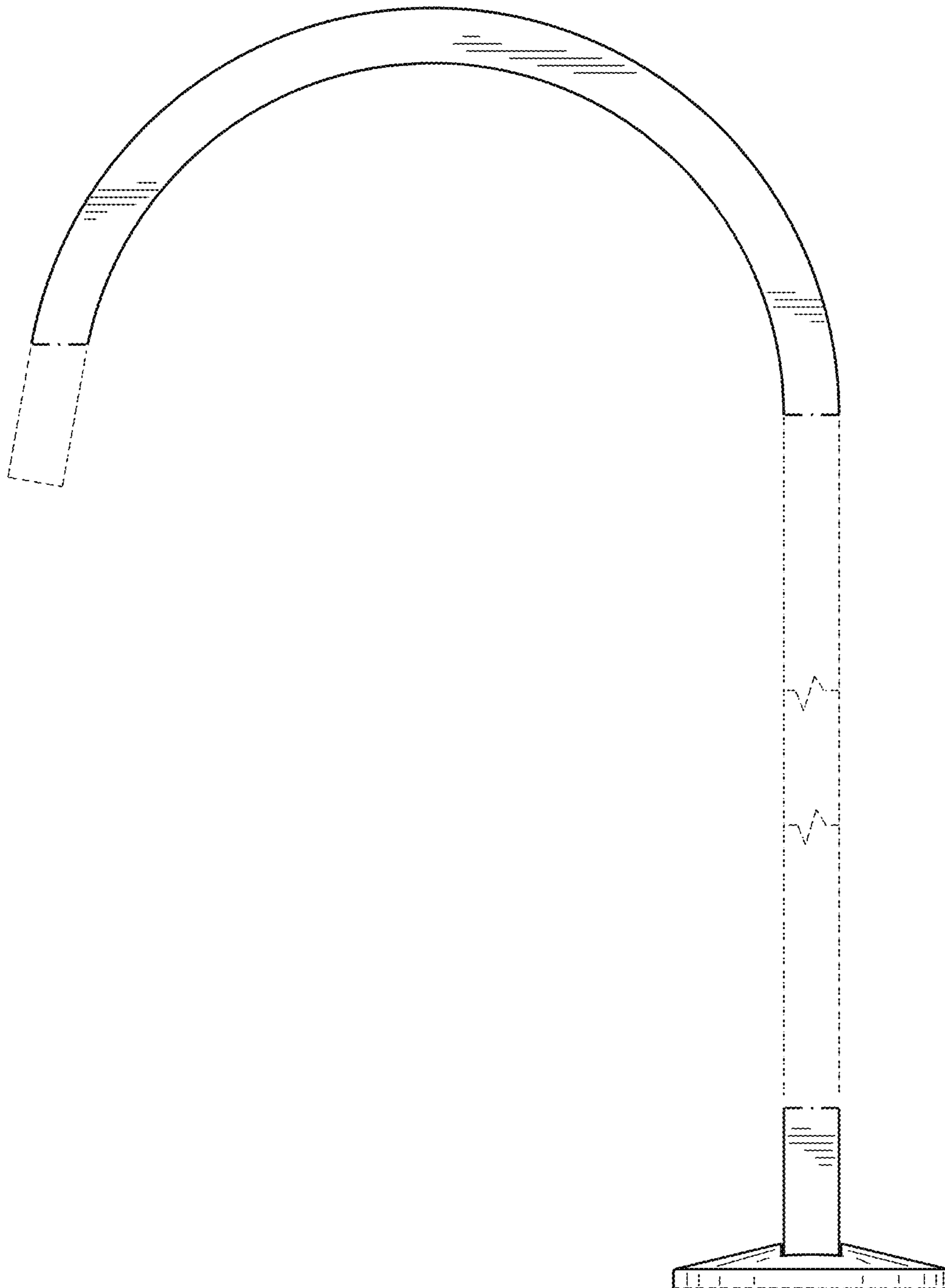


FIG. 2

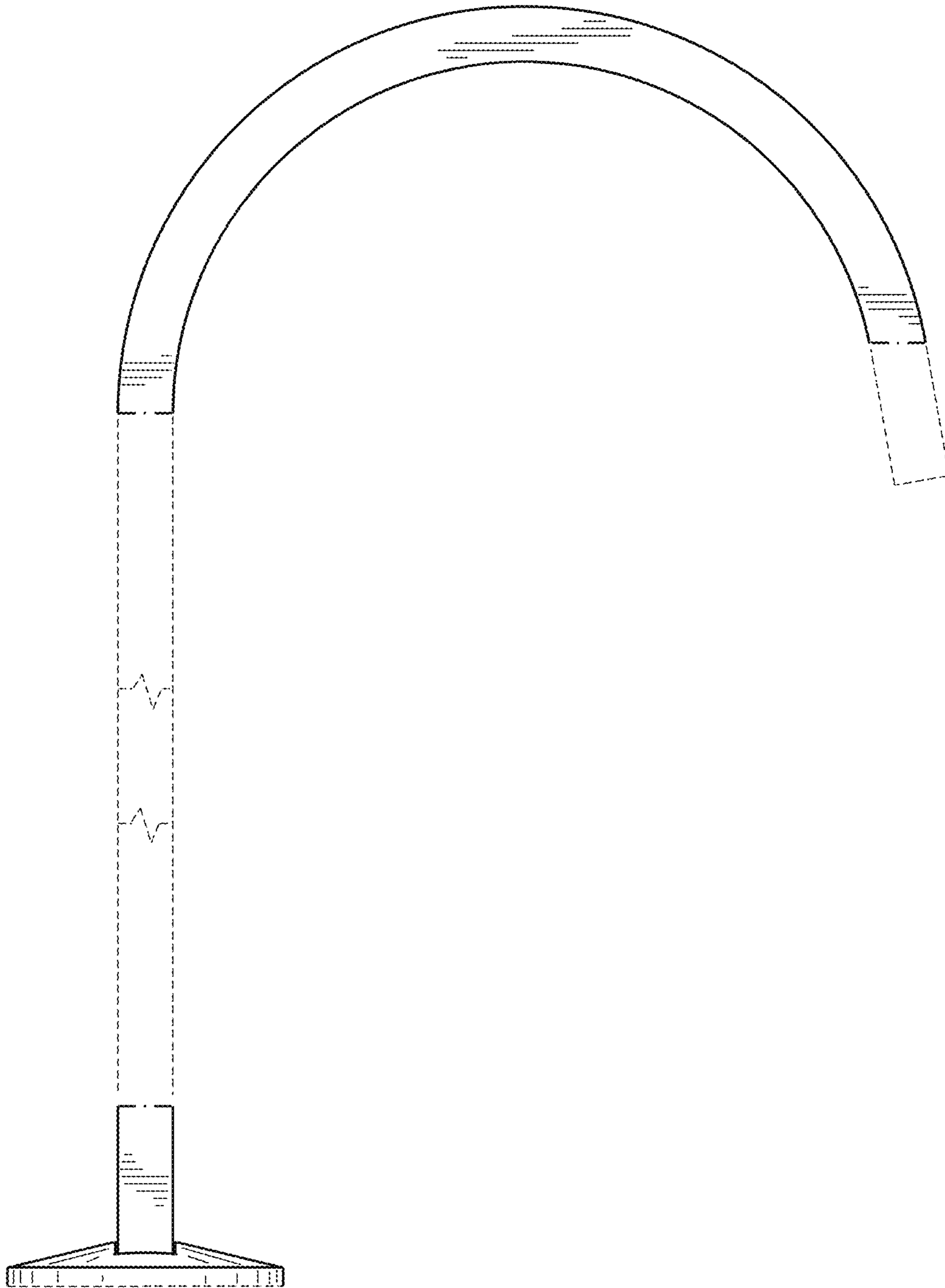


FIG. 3

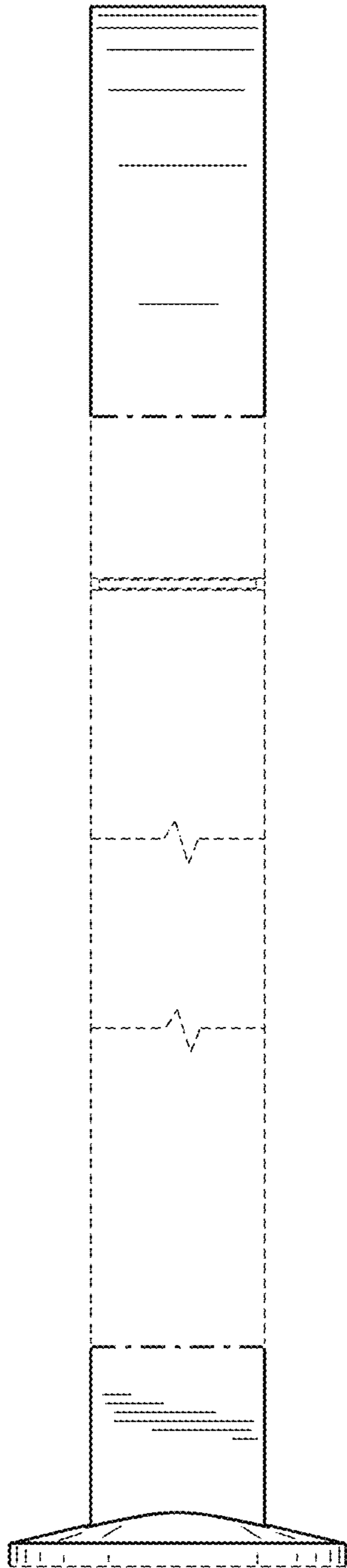


FIG. 4

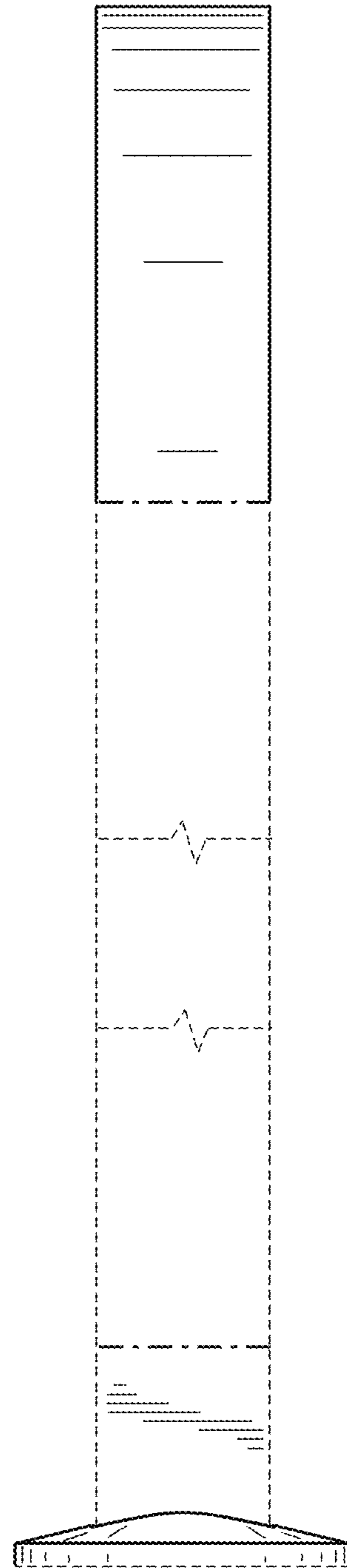


FIG. 5

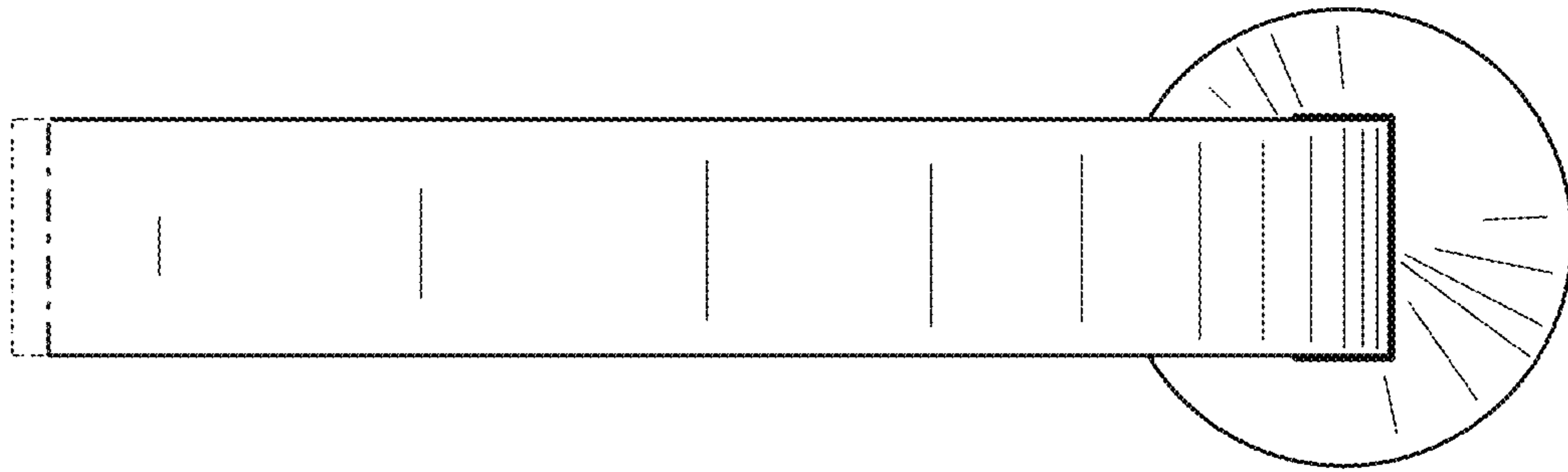


FIG. 6

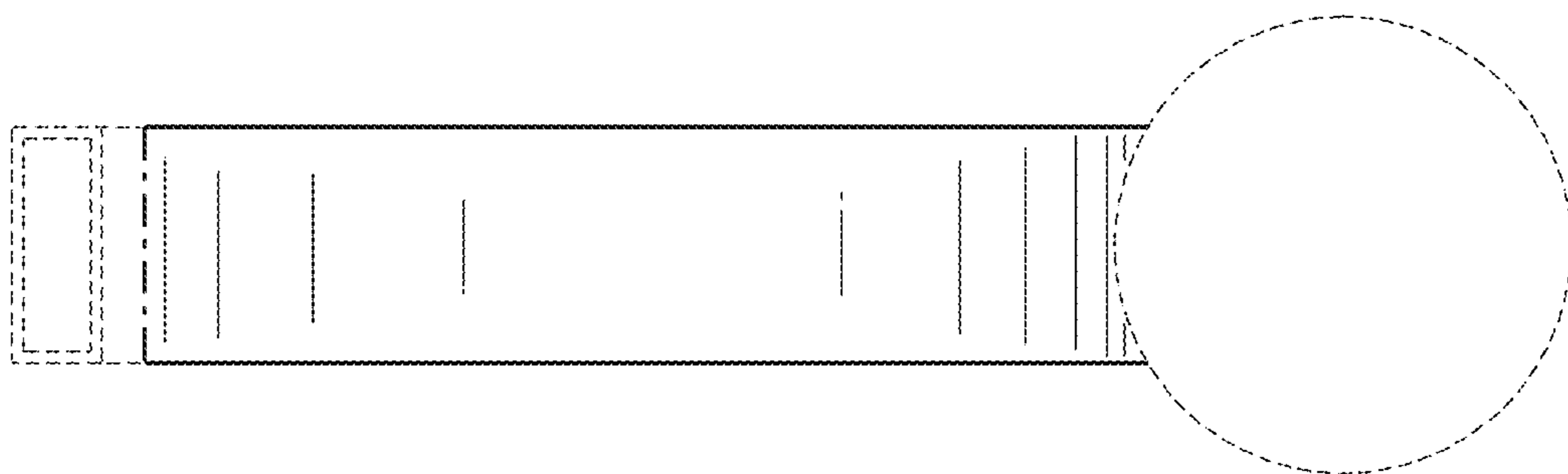


FIG. 7