



US00D823440S

(12) **United States Design Patent** (10) **Patent No.:** **US D823,440 S**
Soulier et al. (45) **Date of Patent:** **** Jul. 17, 2018**

(54) **FAUCET HANDLE**
(71) Applicant: **Kohler Co.**, Kohler, WI (US)
(72) Inventors: **Jean-Hugues Soulier**, Paris (FR);
Ferran Serra Sola, Paris (FR); **Drew Johnson**, Sheboygan, WI (US)
(73) Assignee: **KOHLER CO.**, Kohler, WI (US)
(**) Term: **15 Years**
(21) Appl. No.: **29/595,290**
(22) Filed: **Feb. 27, 2017**
(51) **LOC (11) Cl.** **23-01**
(52) **U.S. Cl.**
USPC **D23/252**
(58) **Field of Classification Search**
USPC D23/238-243, 249-250, 252, 254-255,
D23/257; D8/300, 307-310, 350, 352
CPC Y10T 137/9464
See application file for complete search history.

D568,715 S * 5/2008 Gustafson D8/310
D592,284 S * 5/2009 Lammel D23/254
D597,632 S * 8/2009 Obara D23/250
D622,820 S * 8/2010 Bouroullec D23/254
D624,991 S * 10/2010 Kulig D23/242
D627,858 S 11/2010 Hanna
D627,861 S * 11/2010 Sandee D23/254
D641,456 S 7/2011 Bickerstaffe et al.
D655,786 S * 3/2012 Fukasawa D23/242
D713,236 S * 9/2014 Park D8/310
D714,915 S * 10/2014 von der Lancken
et al. D23/253
D726,883 S * 4/2015 Flowers D23/254
D786,406 S * 5/2017 Schoenherr D23/250

(Continued)

Primary Examiner — Robert A Delehanty
(74) *Attorney, Agent, or Firm* — Foley & Lardner LLP

(57) **CLAIM**

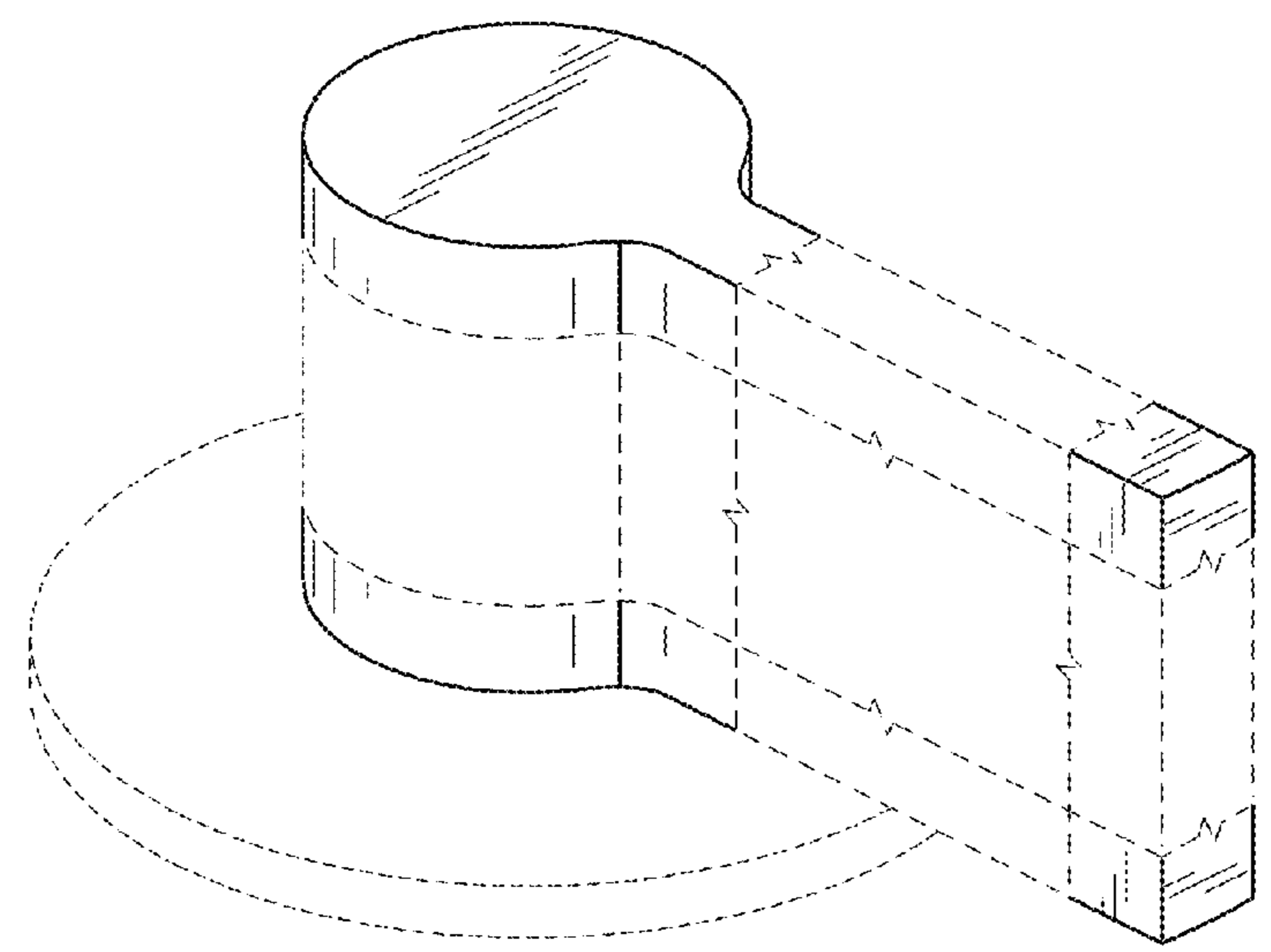
We claim the ornamental design for a faucet handle, as shown and described.

DESCRIPTION

FIG. 1 is a top, front, right perspective view of an embodiment of the claimed design;
FIG. 2 is a front elevation view thereof;
FIG. 3 is a top plan view thereof;
FIG. 4 is a right side elevation view thereof;
FIG. 5 is a left side elevation view thereof;
FIG. 6 is a rear elevation view thereof; and,
FIG. 7 is a bottom plan view thereof.
The ornamental design which is claimed is shown in solid lines in the drawings. The broken lines in the drawings are for illustrative purposes only and form no part of the claimed design. Broken lines formed by equal length dashes show unclaimed subject matter. Broken away symbols having a jagged element depict unspecified length of the portion. The appearance of any portion of the article between the broken away symbols forms no part of the claimed design.

1 Claim, 4 Drawing Sheets

(56) **References Cited**
U.S. PATENT DOCUMENTS
D110,995 S * 8/1938 Bellem, Jr. D8/310
D127,734 S * 6/1941 Dreyfuss D23/253
D279,213 S * 6/1985 Paul D23/242
D310,862 S * 9/1990 Strignano D23/241
D310,865 S * 9/1990 Strignano D23/241
D311,438 S * 10/1990 Strignano D23/242
D312,495 S * 11/1990 Joerger D23/242
D441,844 S * 5/2001 Fleischmann D23/252
D442,263 S * 5/2001 Warshawsky D23/250
D462,421 S * 9/2002 Hundley D23/252
D531,277 S 10/2006 Tsai
D531,702 S * 11/2006 Haug D23/252
D535,725 S * 1/2007 Chu D23/241
D541,909 S * 5/2007 Schonherr D23/252
D542,384 S * 5/2007 Starck D23/254
D568,447 S * 5/2008 Lai D23/252



(56)

References Cited

U.S. PATENT DOCUMENTS

D787,638 S * 5/2017 Schoenherr D23/250
D793,534 S * 8/2017 Fritz D23/242

* cited by examiner

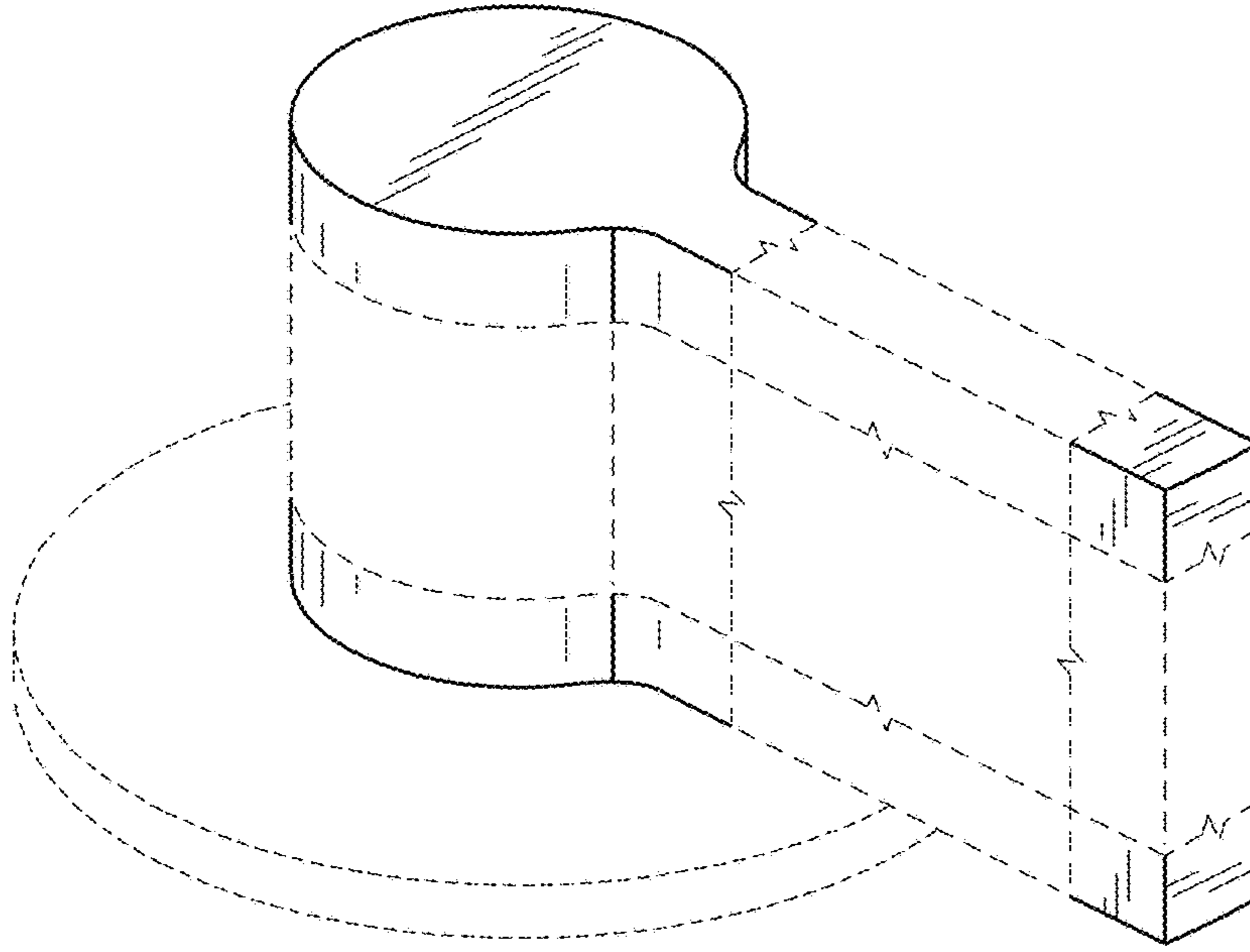


FIG. 1

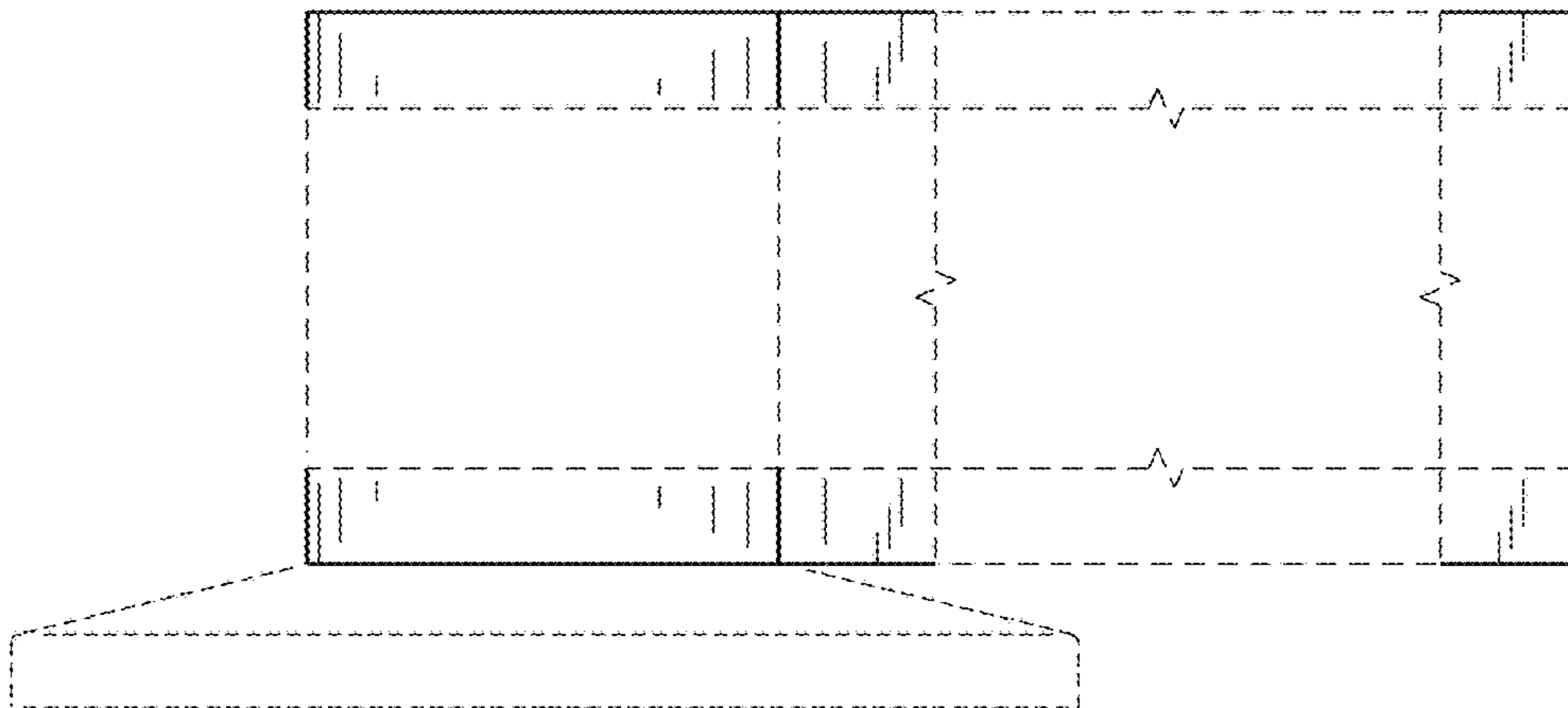


FIG. 2

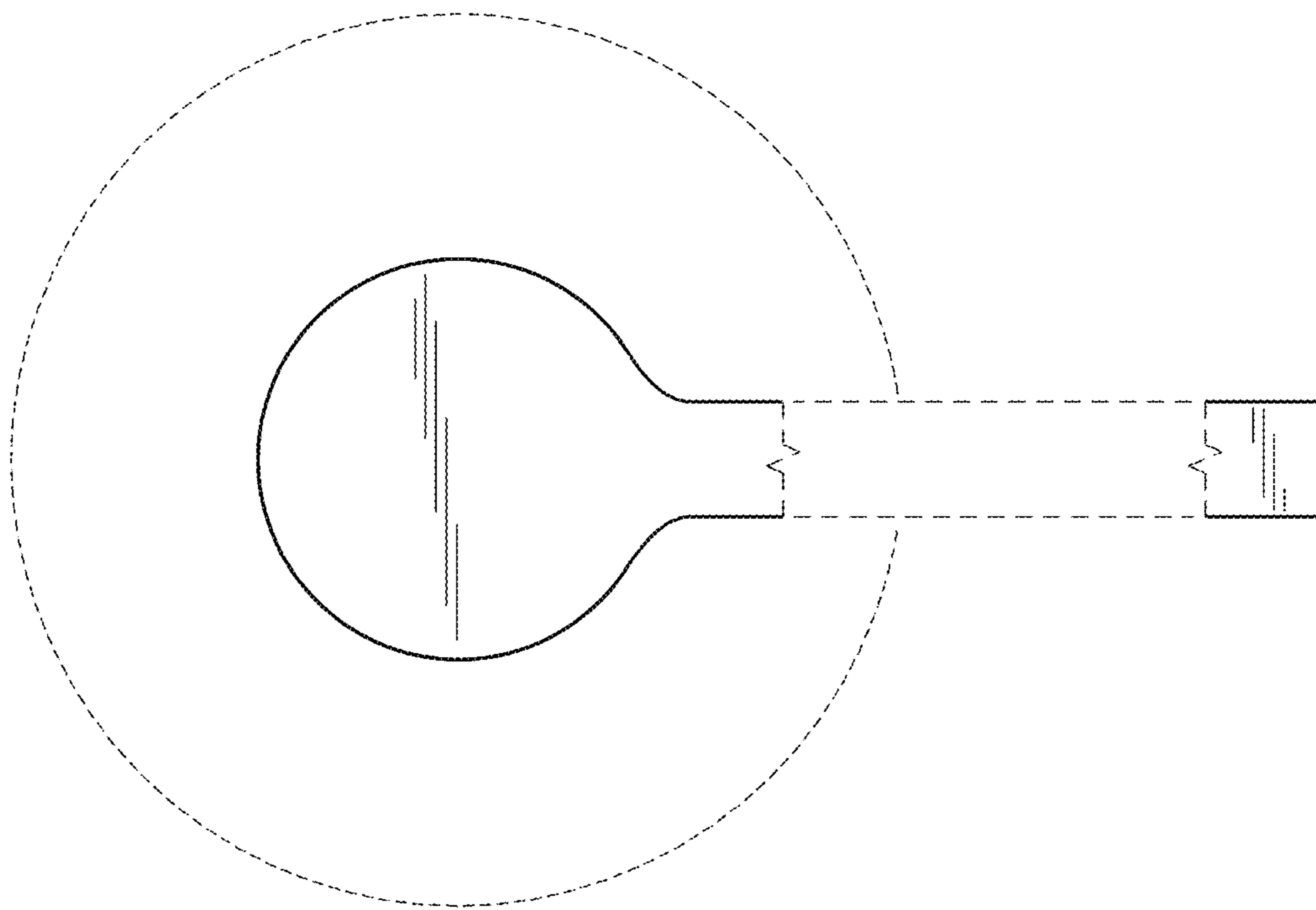


FIG. 3

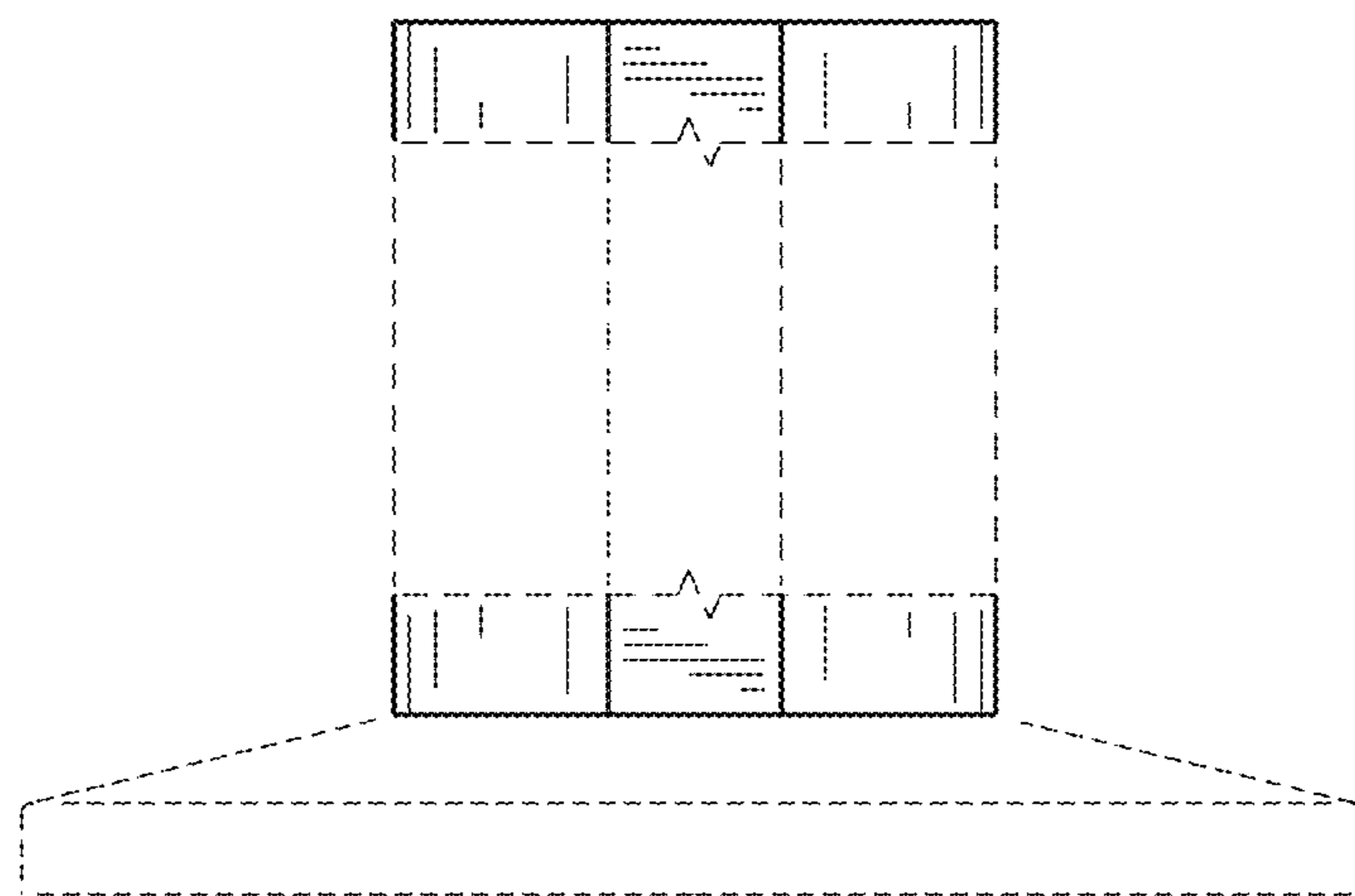


FIG. 4

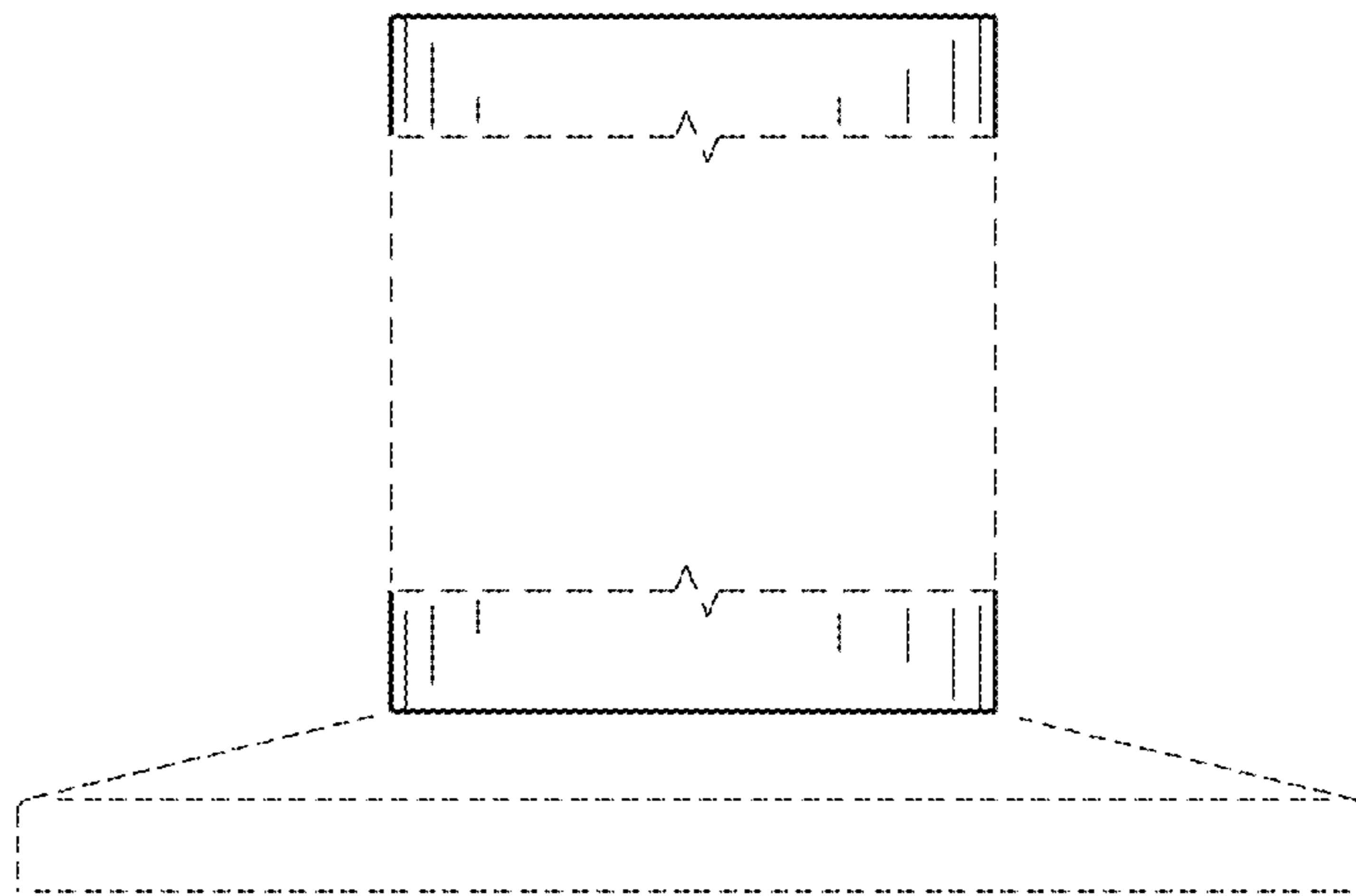


FIG. 5

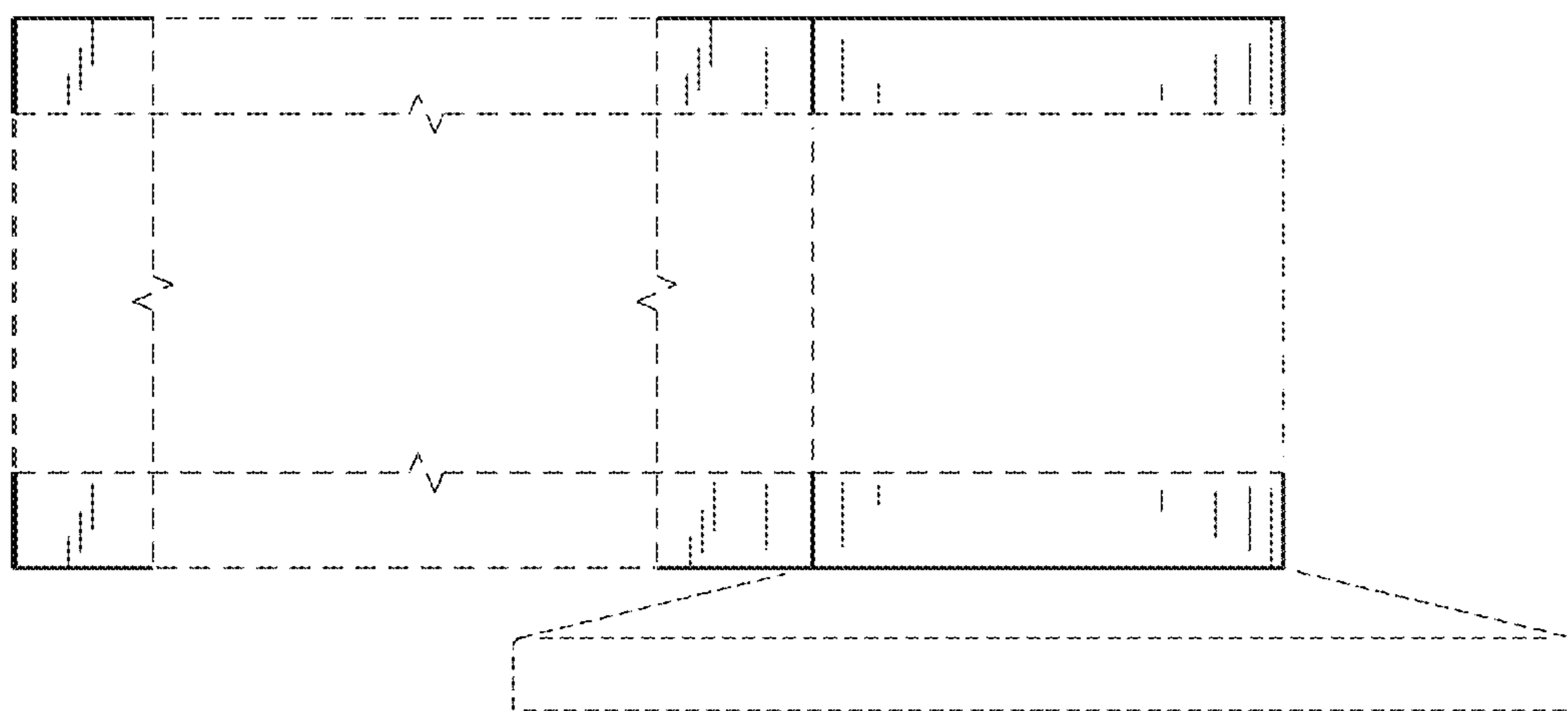


FIG. 6

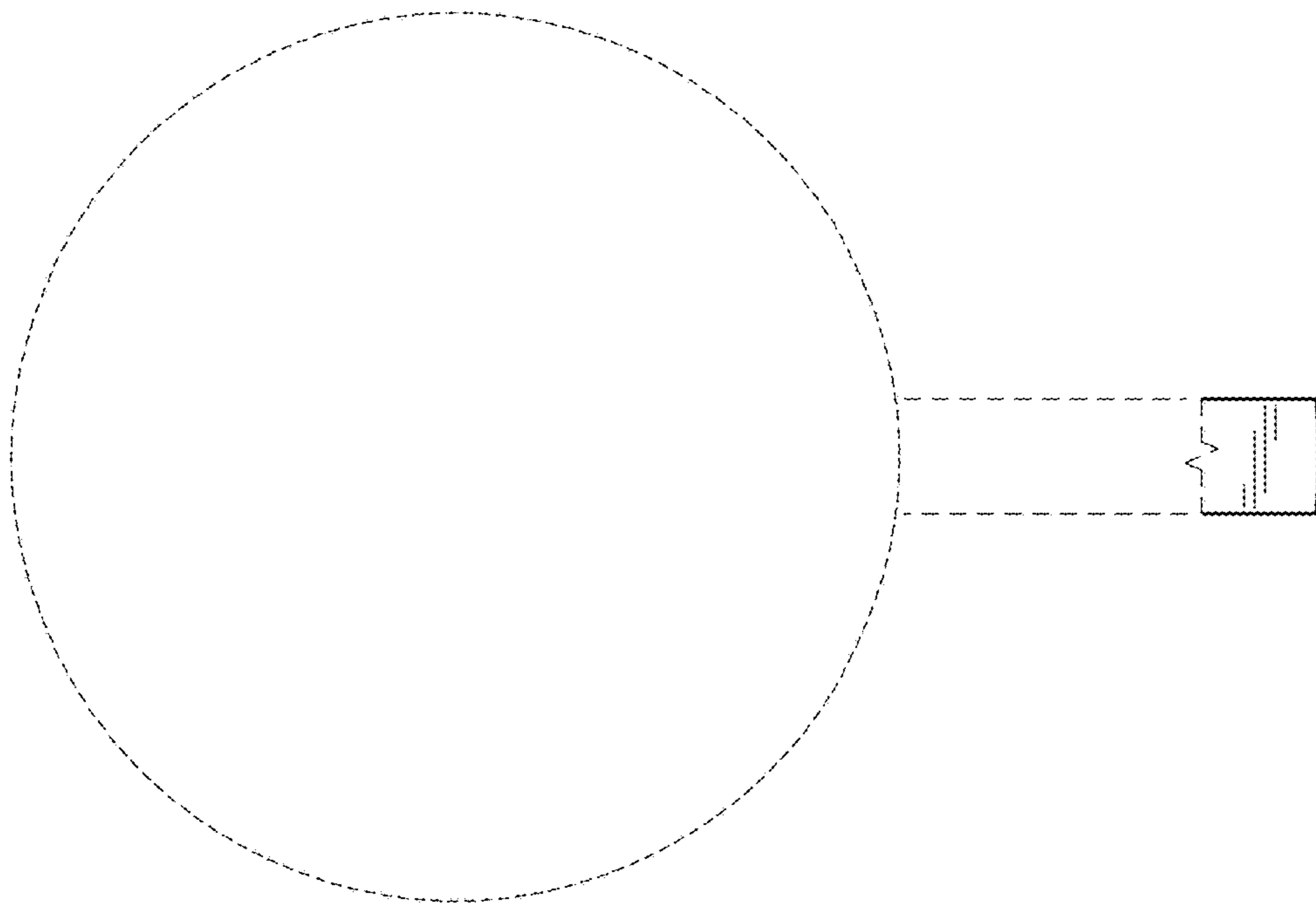


FIG. 7