



US00D823436S

(12) **United States Design Patent** (10) **Patent No.:** **US D823,436 S**
He (45) **Date of Patent:** **** Jul. 17, 2018**

(54) **FAUCET**

D726,880 S * 4/2015 Kington D23/238
D767,721 S * 9/2016 Yoshioka D23/238
D779,044 S * 2/2017 Flowers D23/238

(71) Applicant: **Guangzhou Weisihui Jiaju Co., Ltd.**,
Guangzhou, Guangdong Province (CN)

* cited by examiner

(72) Inventor: **Min He**, Guangzhou (CN)

Primary Examiner — Robert A Delehanty

(**) Term: **15 Years**

(74) *Attorney, Agent, or Firm* — Novoclaims Patent
Services LLC; Mei Lin Wong

(21) Appl. No.: **29/602,253**

(57) **CLAIM**

(22) Filed: **Apr. 28, 2017**

The ornamental design of a faucet, as shown and described.

(51) **LOC (11) Cl.** **23-01**

(52) **U.S. Cl.**

DESCRIPTION

USPC **D23/238**

(58) **Field of Classification Search**

USPC D23/238–242, 249, 250, 252, 254–255,
D23/257; D8/350, 353

CPC Y10T 137/9464

See application file for complete search history.

FIG. 1 is a perspective view of a faucet, showing my new design.

FIG. 2 is a second perspective view thereof.

FIG. 3 is a front elevational view thereof.

FIG. 4 is a rear elevational view thereof.

FIG. 5 is a left side elevational view thereof.

FIG. 6 is a right side elevational view thereof.

FIG. 7 is a top plan view thereof; and,

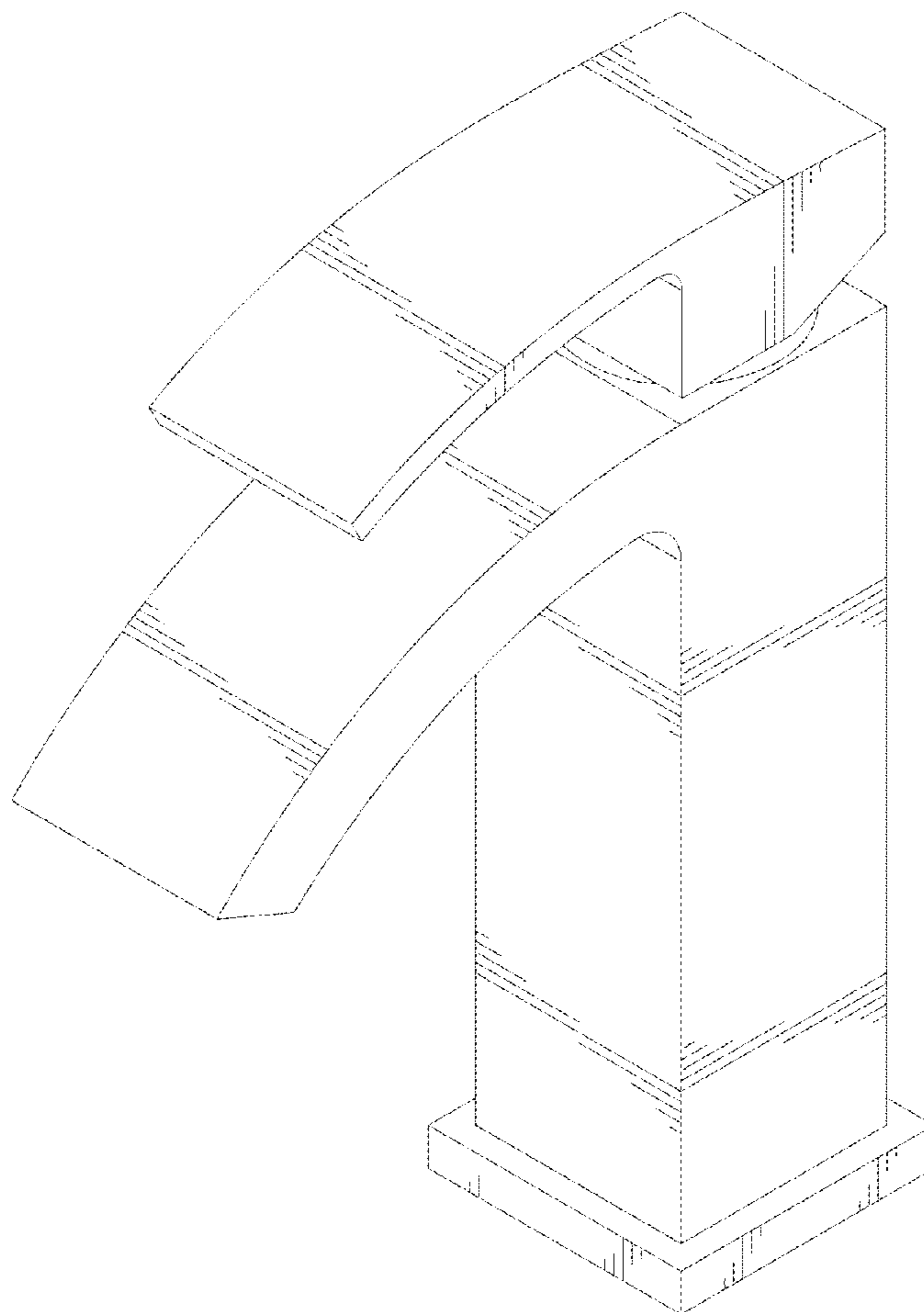
FIG. 8 is a bottom plan view thereof.

(56) **References Cited**

U.S. PATENT DOCUMENTS

D618,764 S * 6/2010 Gao D23/238

1 Claim, 8 Drawing Sheets



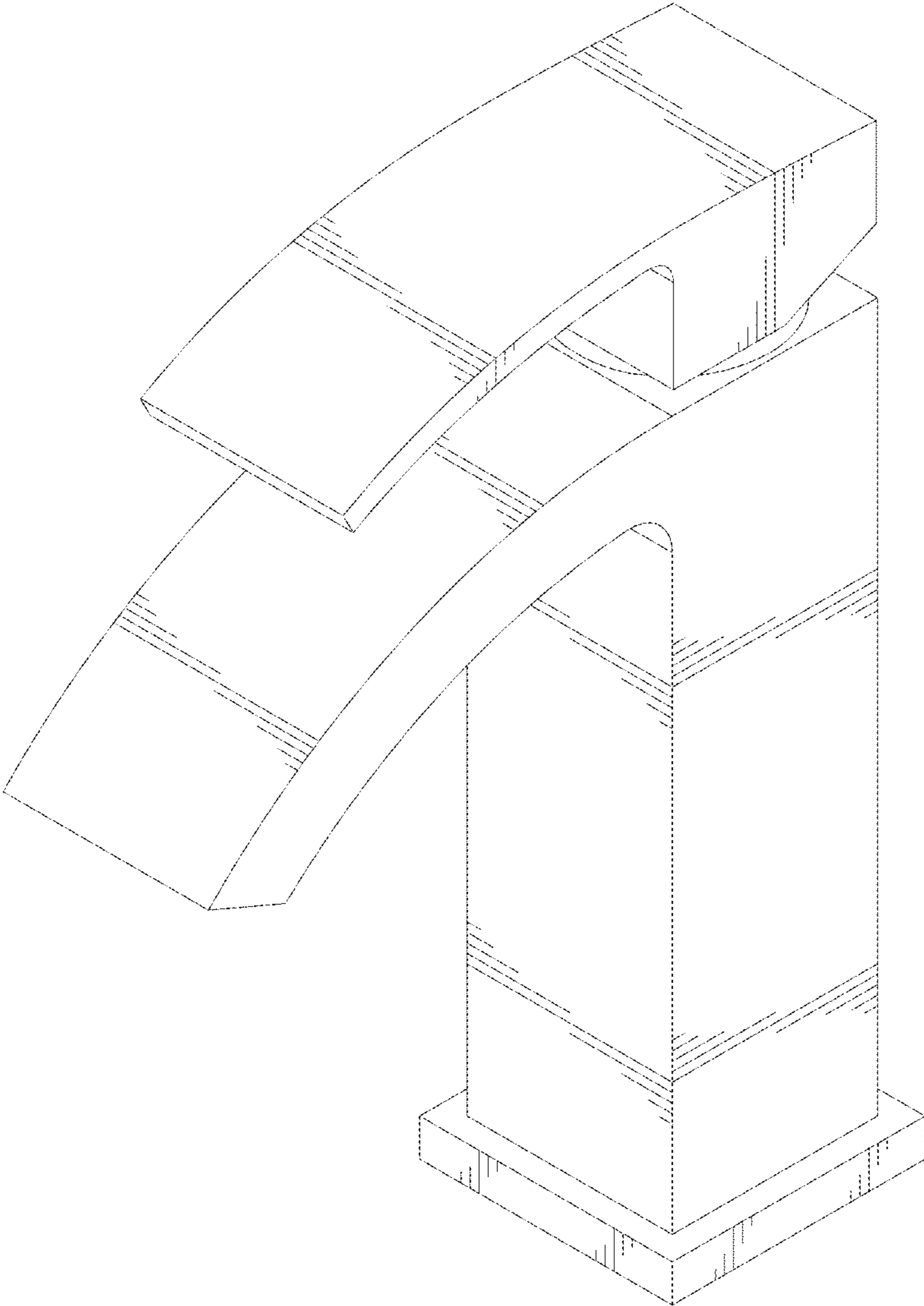


FIG.1

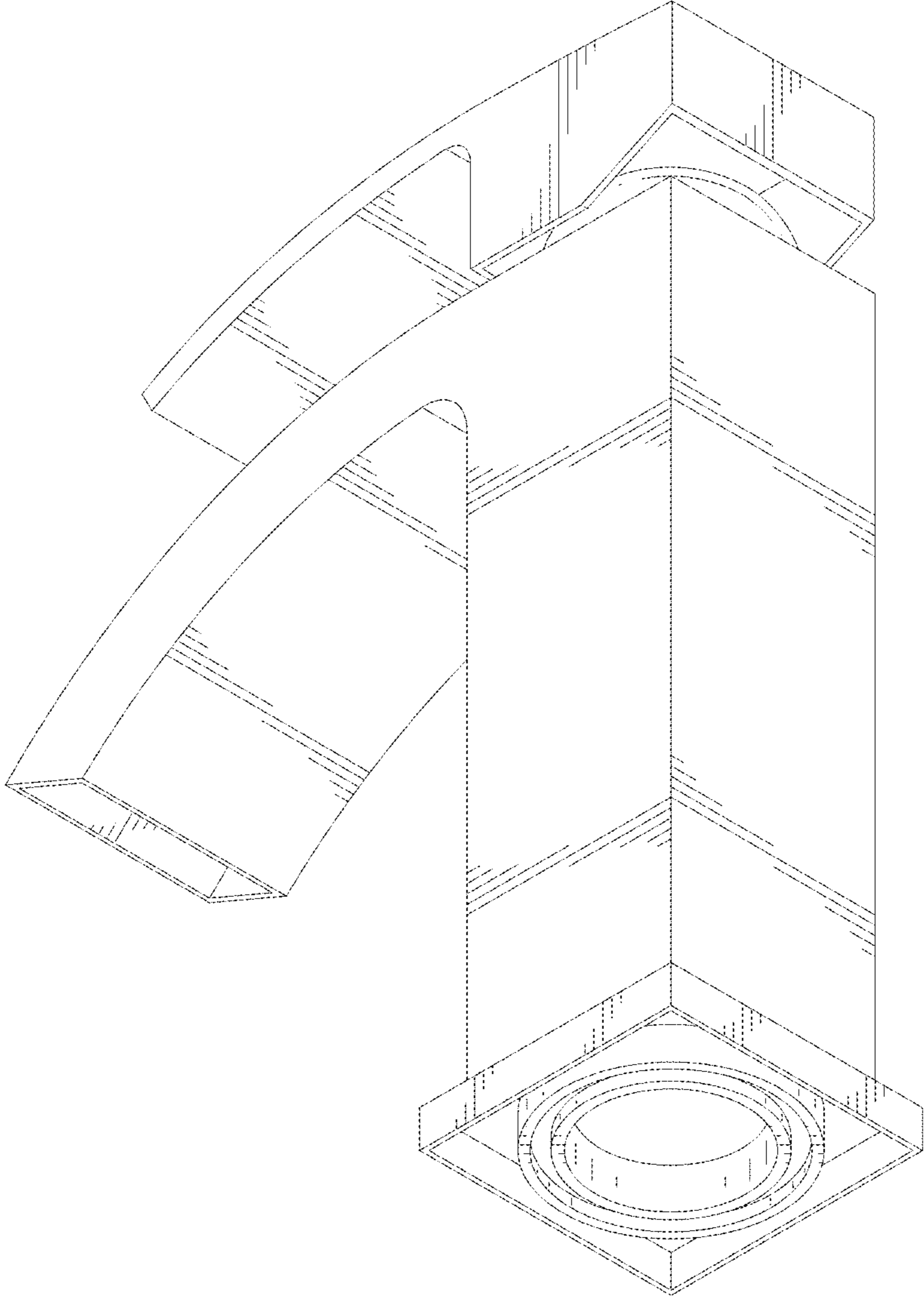


FIG.2

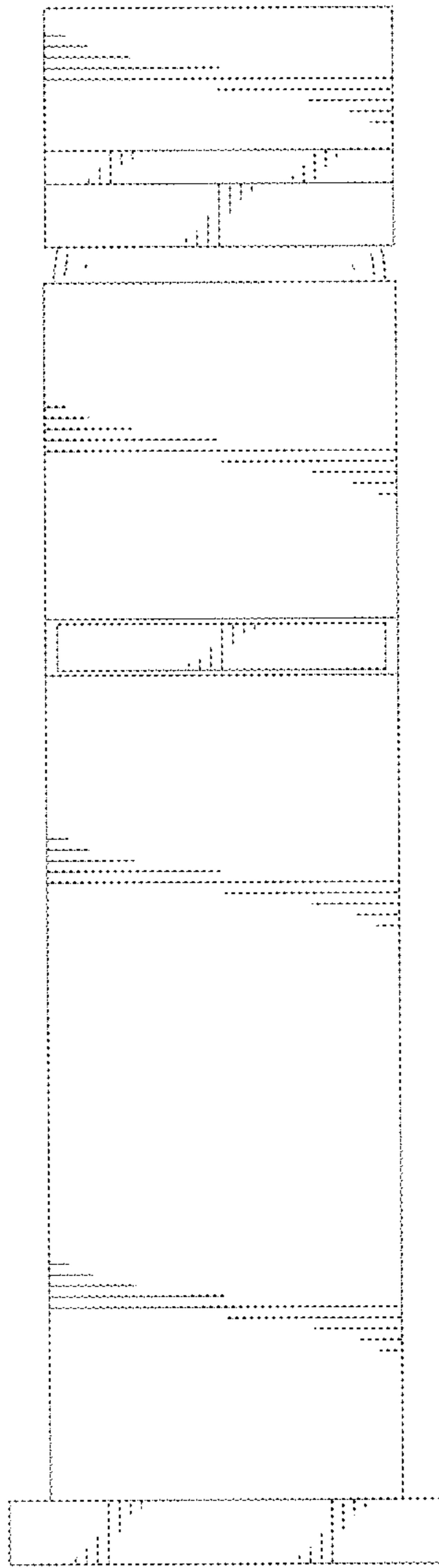


FIG.3

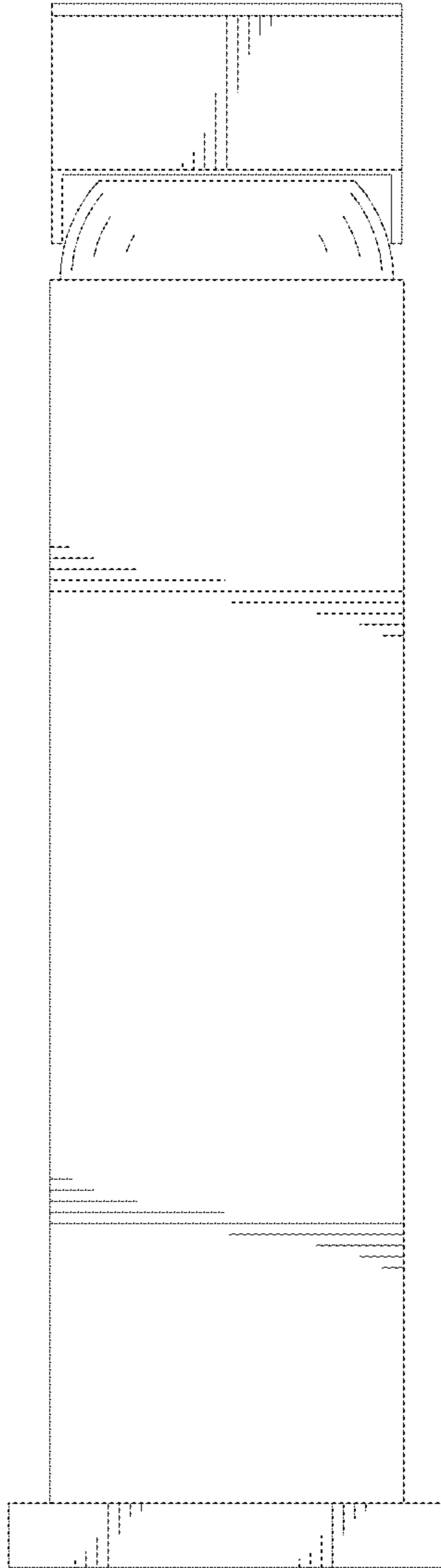


FIG.4

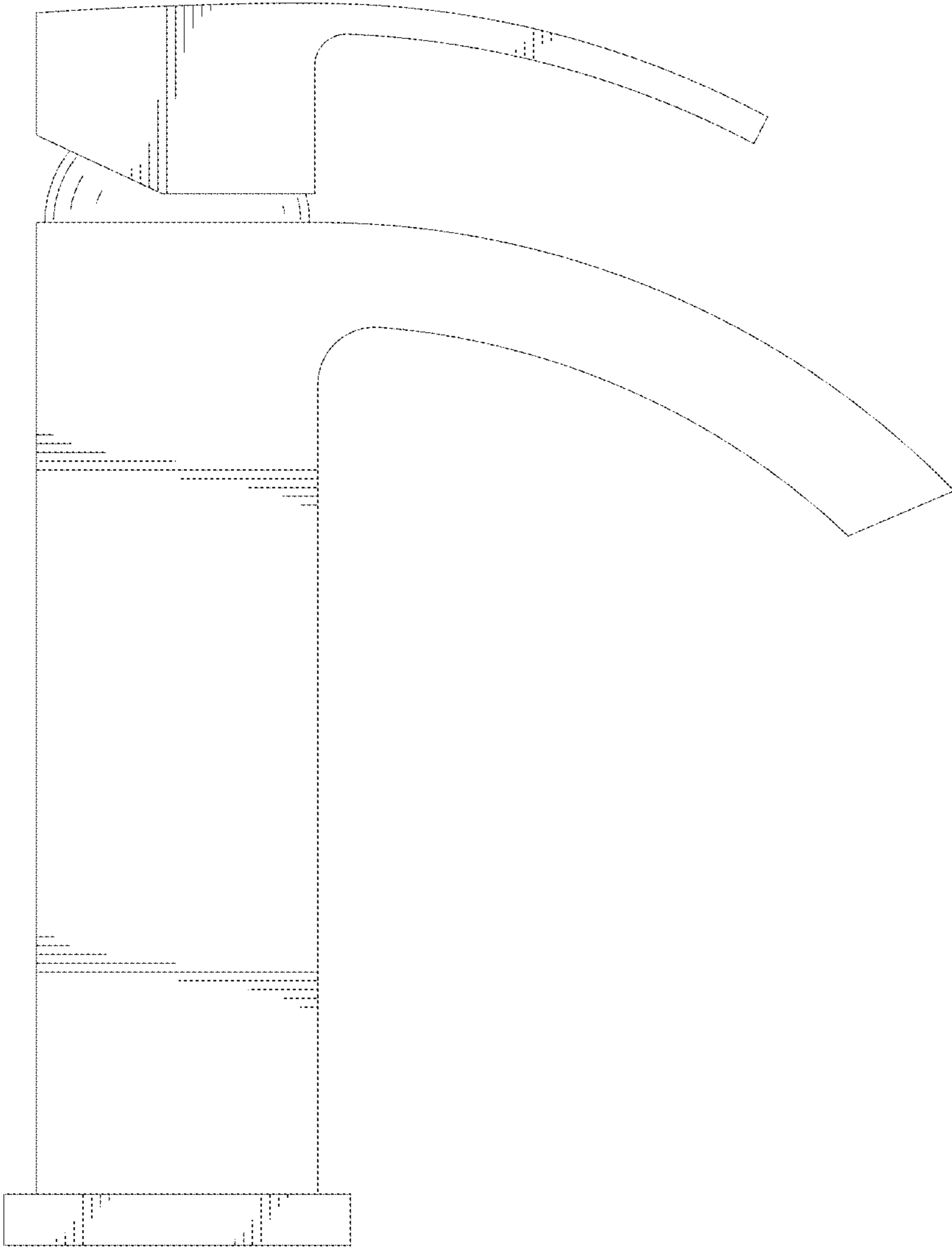


FIG.5

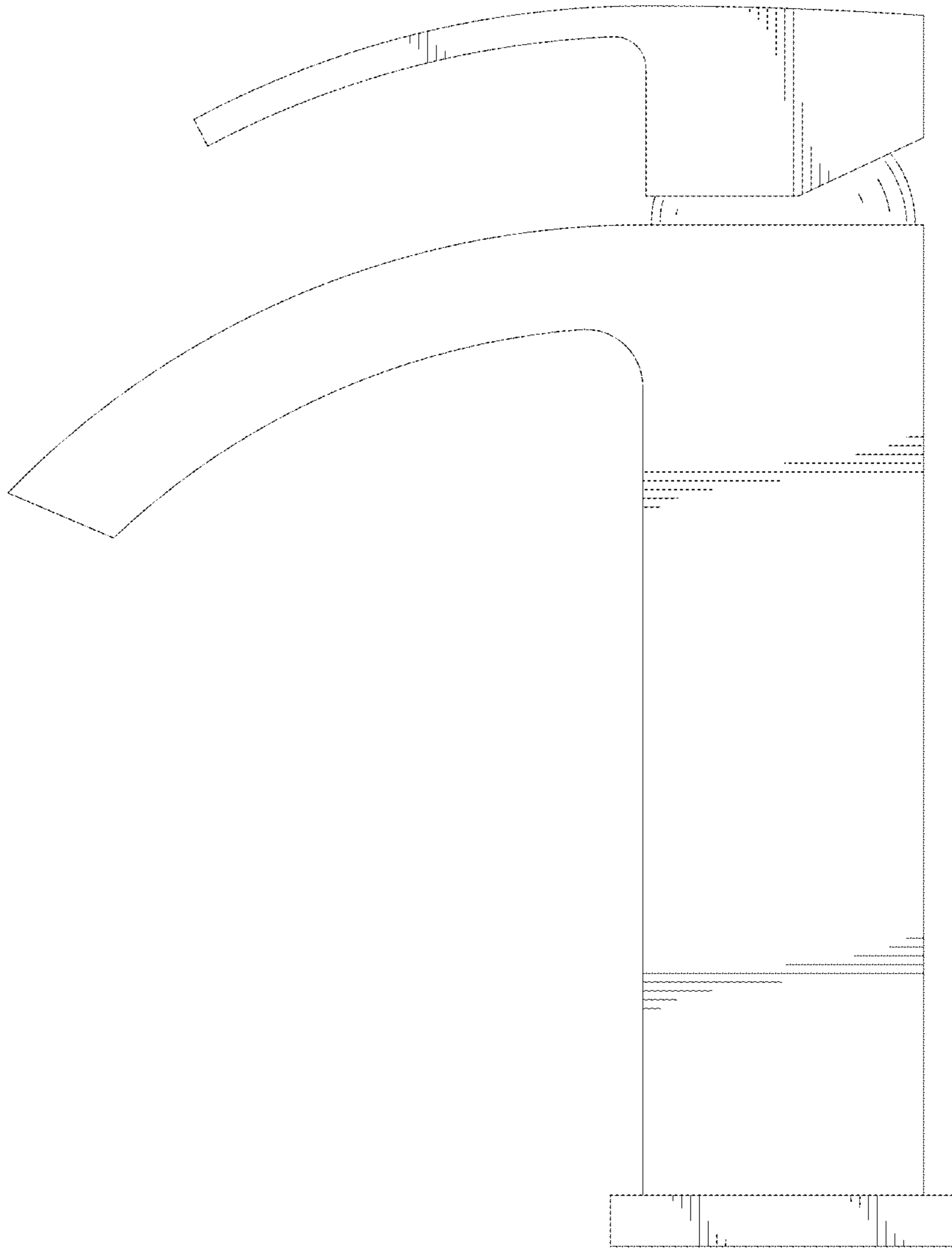


FIG.6

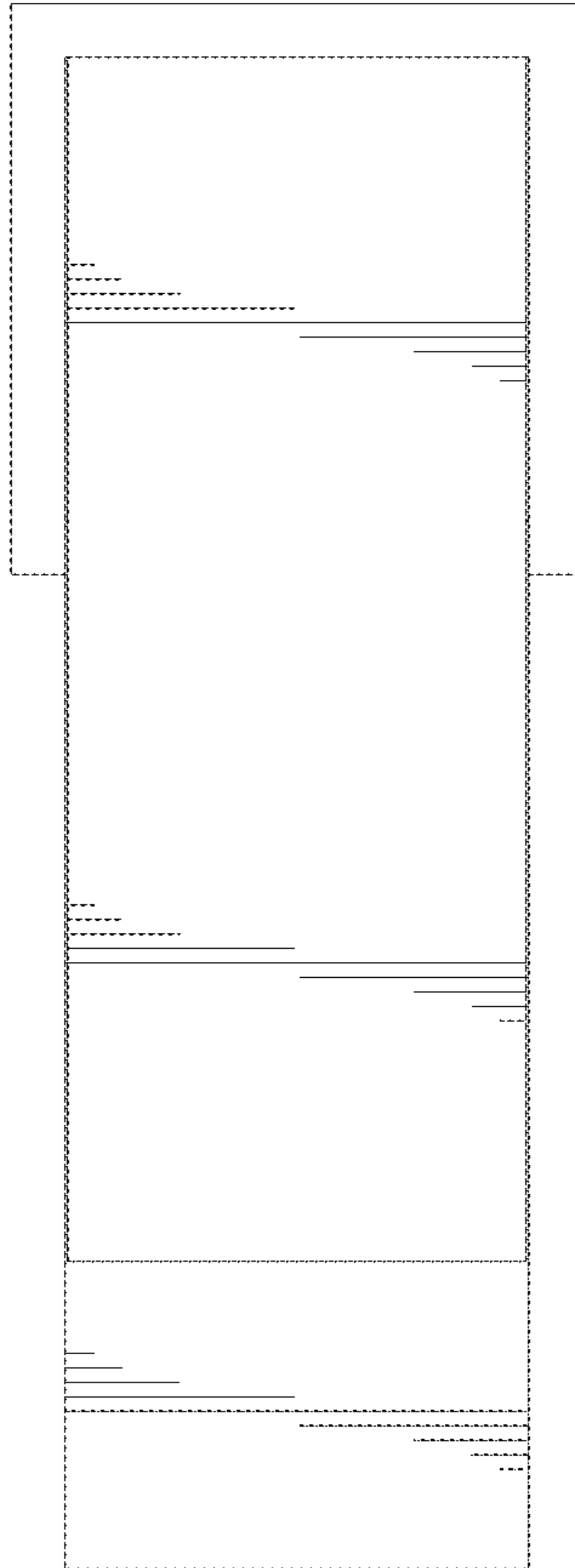


FIG.7

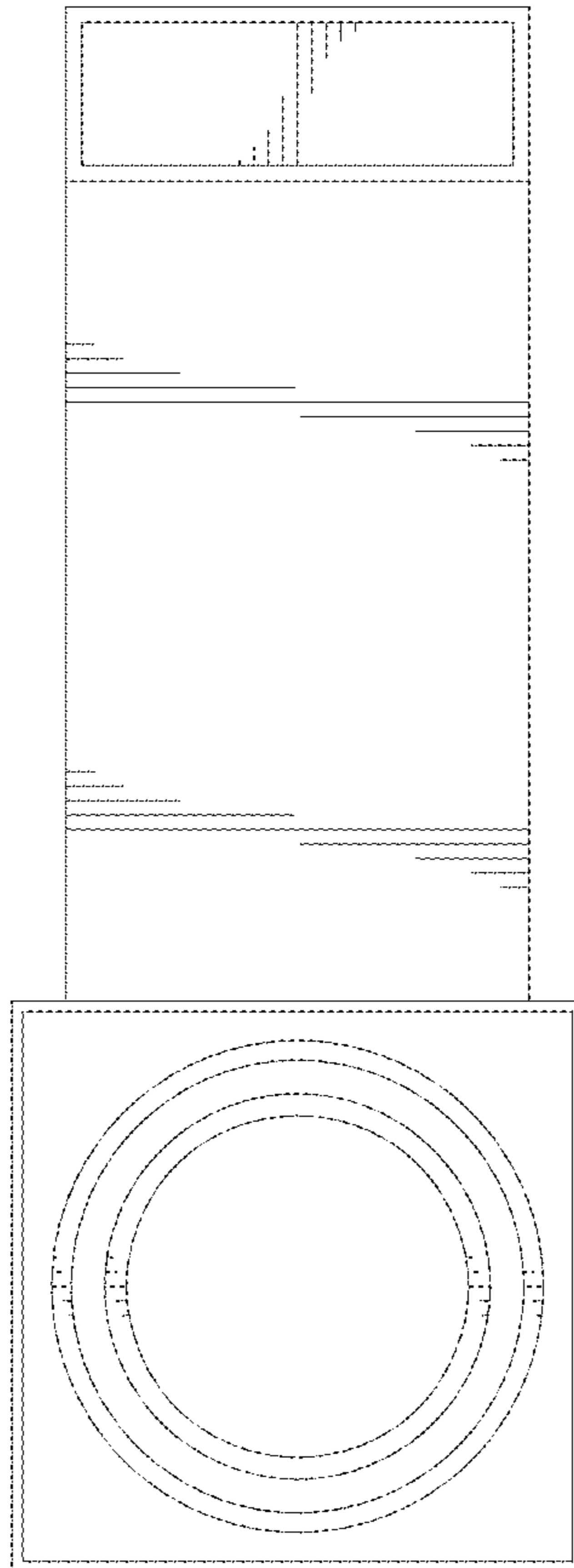


FIG.8