



US00D823435S

(12) **United States Design Patent**  
**He**

(10) **Patent No.:** **US D823,435 S**

(45) **Date of Patent:** **\*\* Jul. 17, 2018**

(54) **FAUCET**

(71) Applicant: **Guangzhou Weisihui Jiaju Co., Ltd.**,  
Guangzhou, Guangdong Province (CN)

(72) Inventor: **Min He**, Guangzhou (CN)

(\*\*) Term: **15 Years**

(21) Appl. No.: **29/602,246**

(22) Filed: **Apr. 28, 2017**

(51) **LOC (11) Cl.** ..... **23-01**

(52) **U.S. Cl.**  
USPC ..... **D23/238**

(58) **Field of Classification Search**  
USPC ..... D23/238–242, 249, 250, 252, 254–255,  
D23/257; D8/350, 353  
CPC ..... Y10T 137/9464  
See application file for complete search history.

(56) **References Cited**

**U.S. PATENT DOCUMENTS**

D585,962 S \* 2/2009 Shieh ..... D23/250  
D665,052 S \* 8/2012 Wang ..... D23/238

D705,398 S \* 5/2014 Flowers ..... D23/238  
D754,294 S \* 4/2016 Garland ..... D23/238  
D810,884 S \* 2/2018 Garland ..... D23/252

\* cited by examiner

*Primary Examiner* — Robert A Delehanty

(74) *Attorney, Agent, or Firm* — Novoclaims Patent  
Services LLC; Mei Lin Wong

(57) **CLAIM**

The ornamental design of a faucet, as shown and described.

**DESCRIPTION**

FIG. 1 is a perspective view of a faucet, showing my new design.

FIG. 2 is a second perspective view thereof.

FIG. 3 is a front elevational view thereof.

FIG. 4 is a rear elevational view thereof.

FIG. 5 is a left side elevational view thereof.

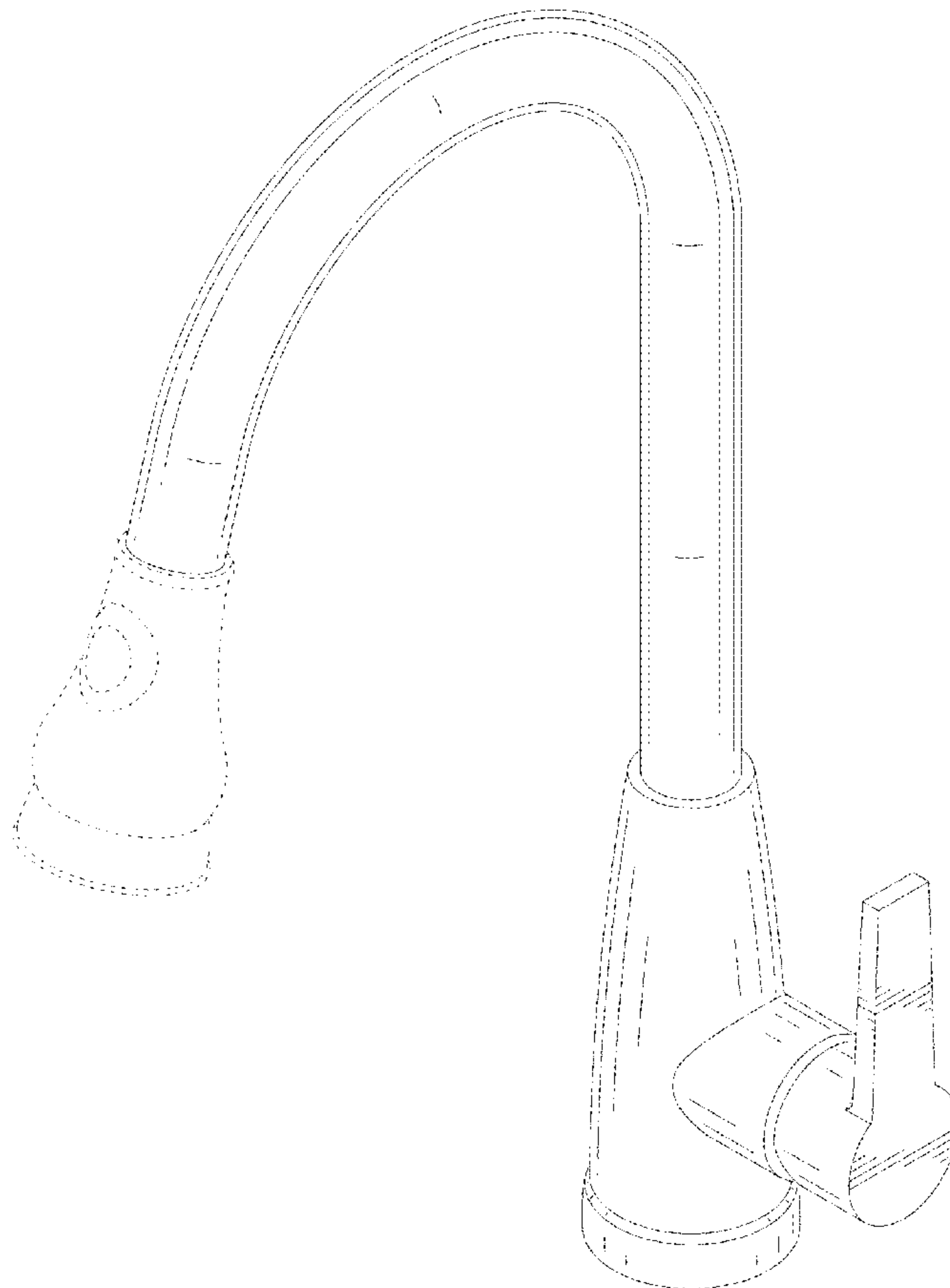
FIG. 6 is a right side elevational view thereof.

FIG. 7 is a top plan view thereof; and,

FIG. 8 is a bottom plan view thereof.

The broken lines in the drawings represent unclaimed subject matter and form no part of the claim.

**1 Claim, 8 Drawing Sheets**



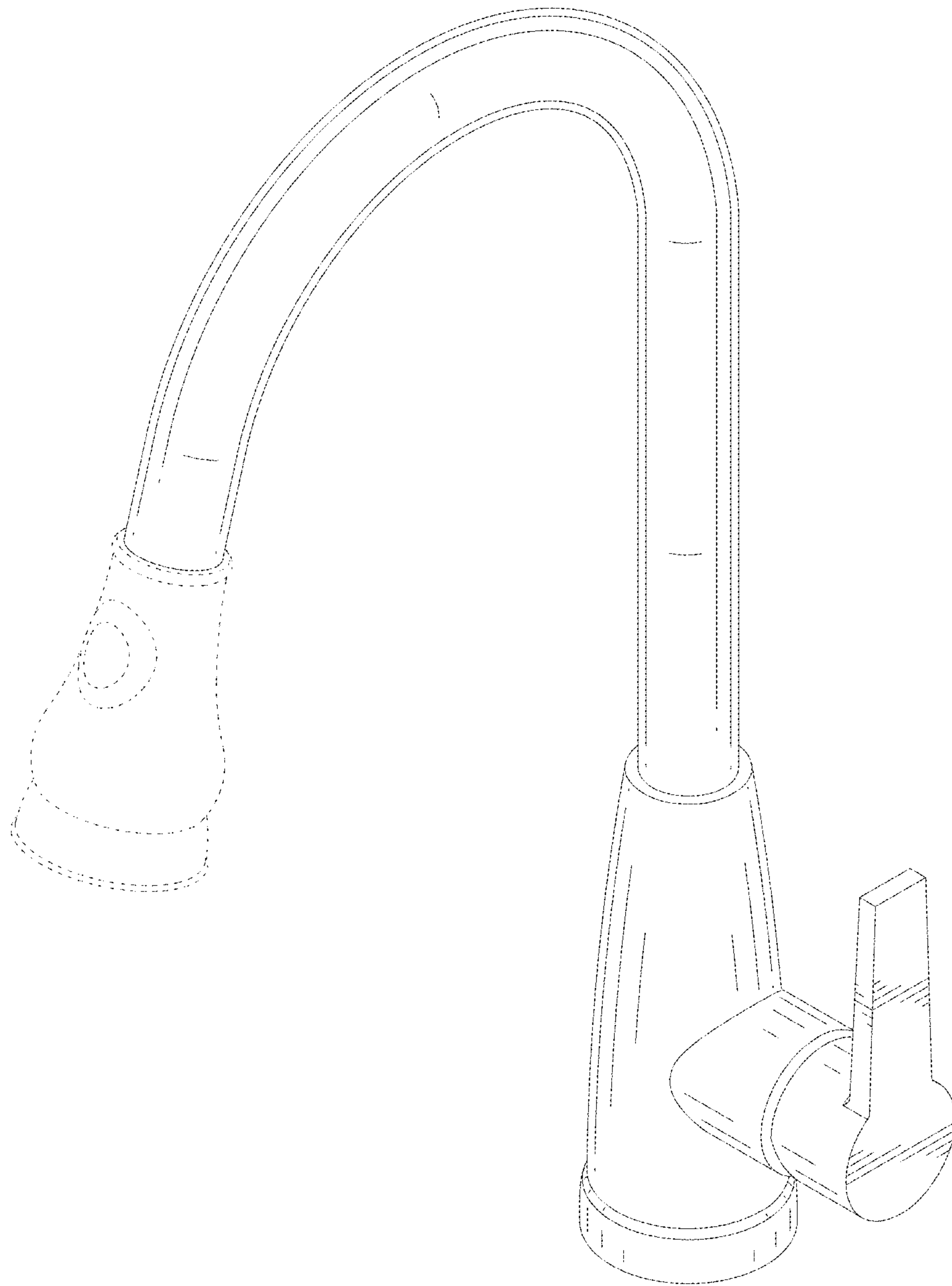


FIG. 1

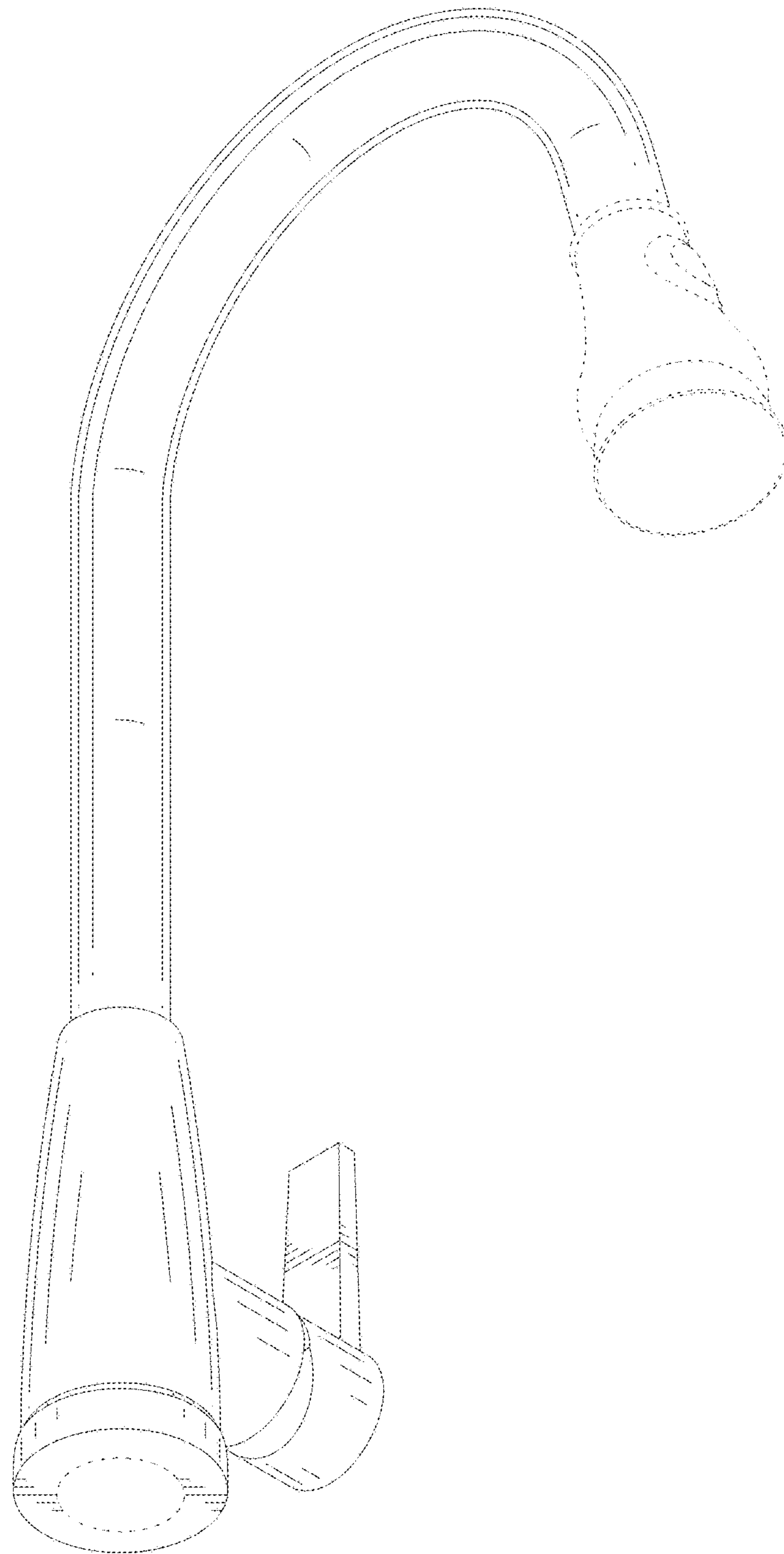


FIG.2

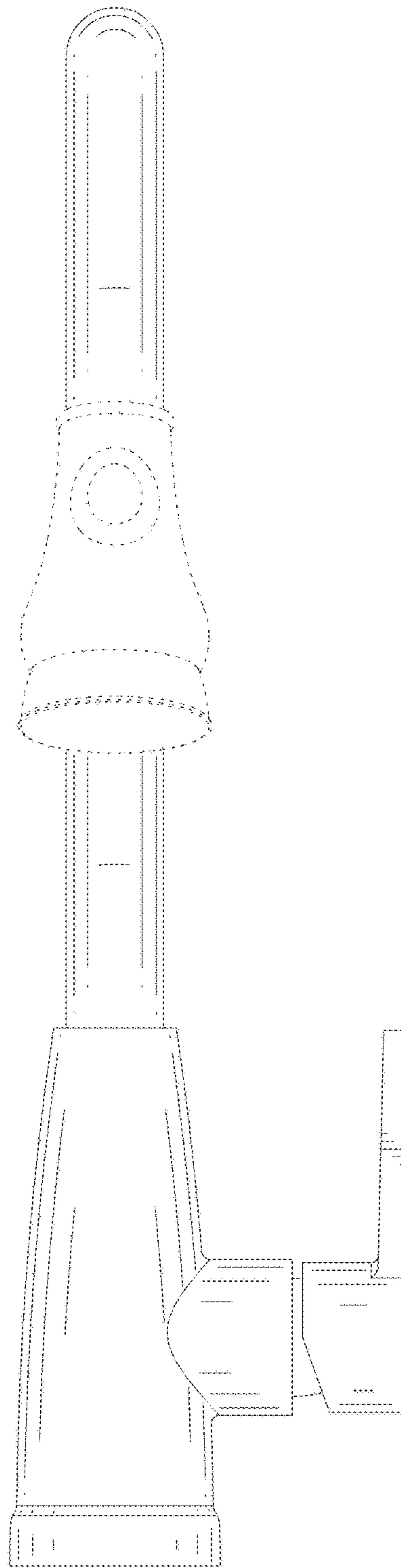


FIG.3

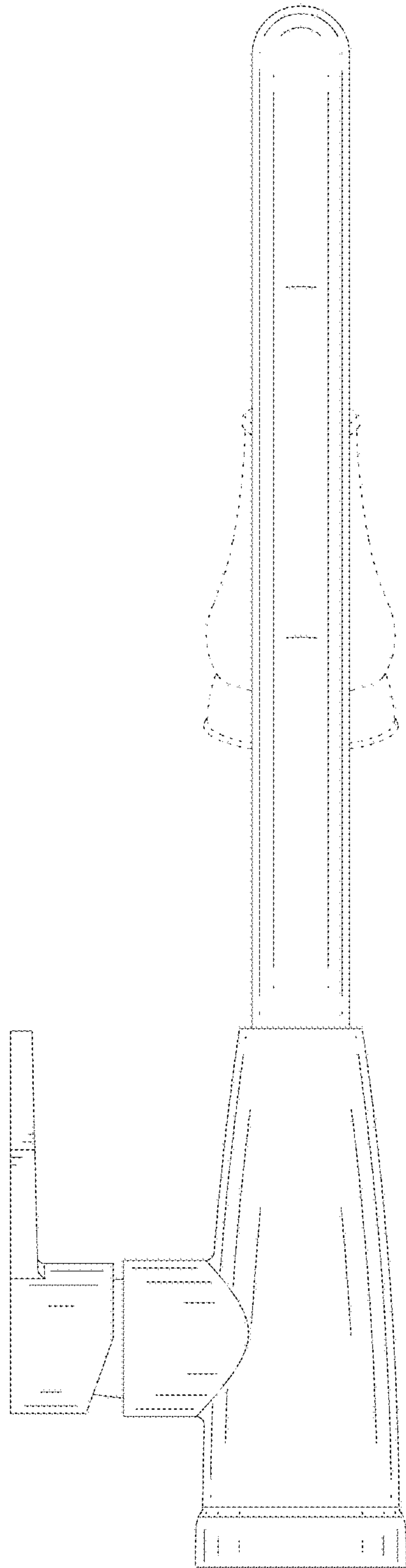


FIG.4

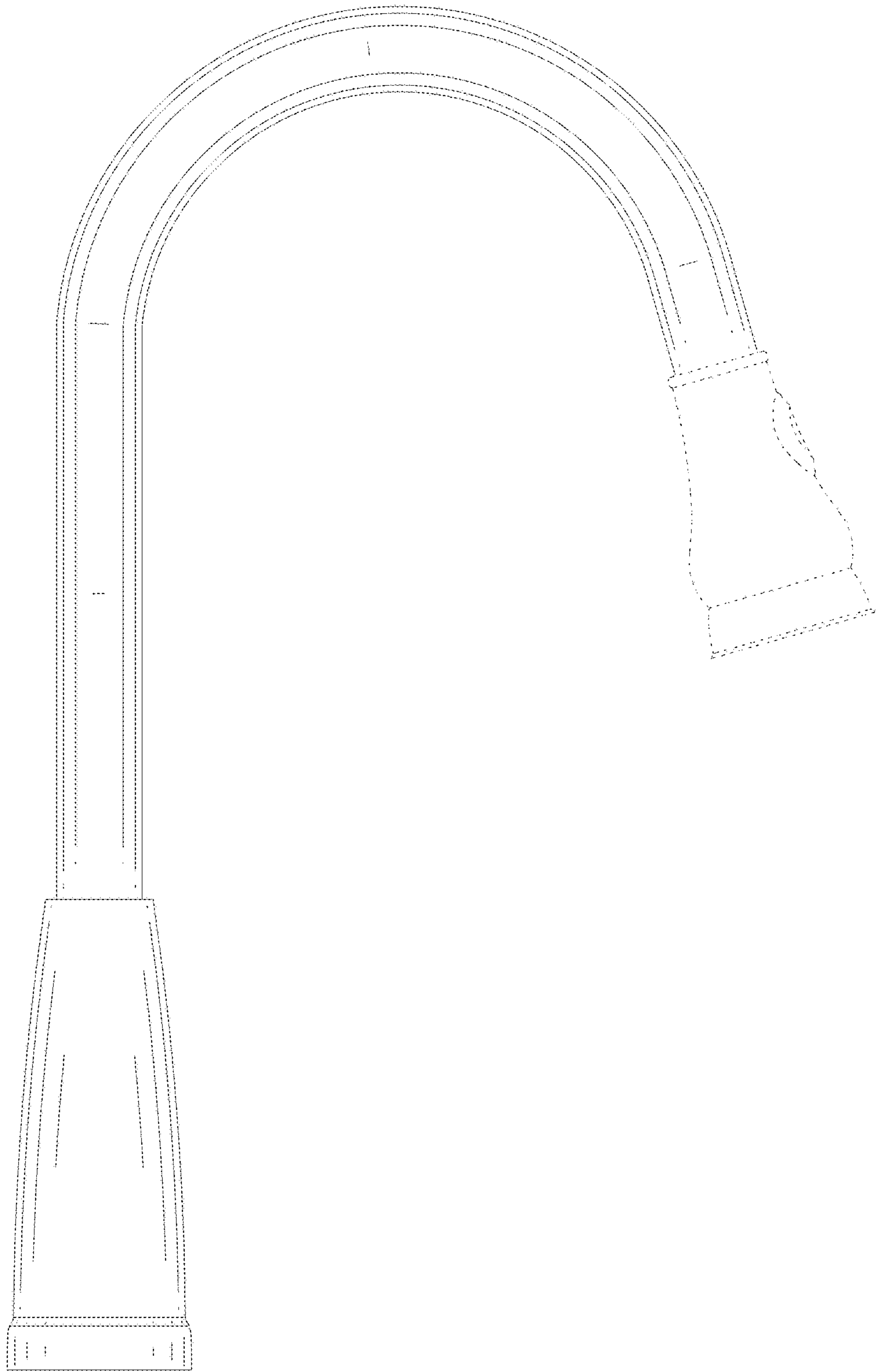


FIG.5

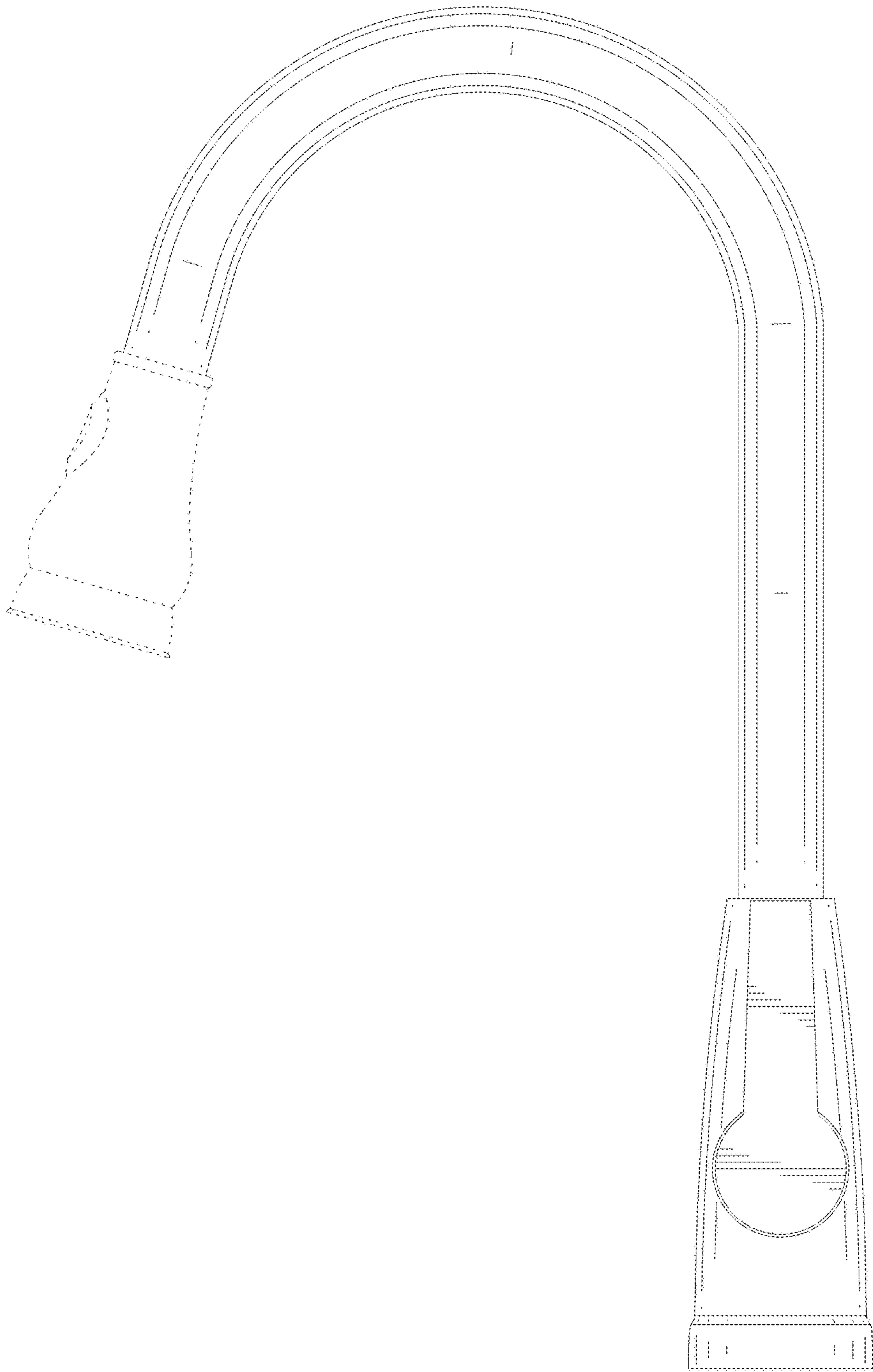


FIG. 6

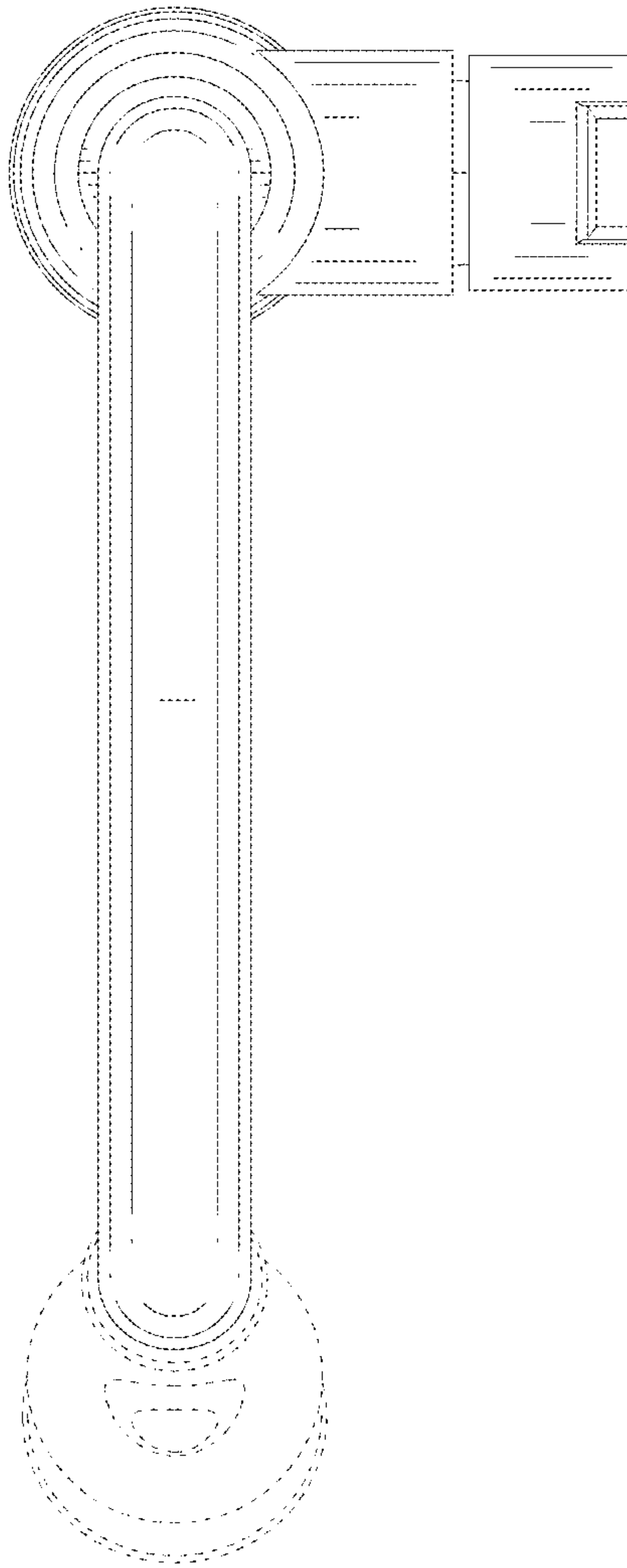


FIG.7



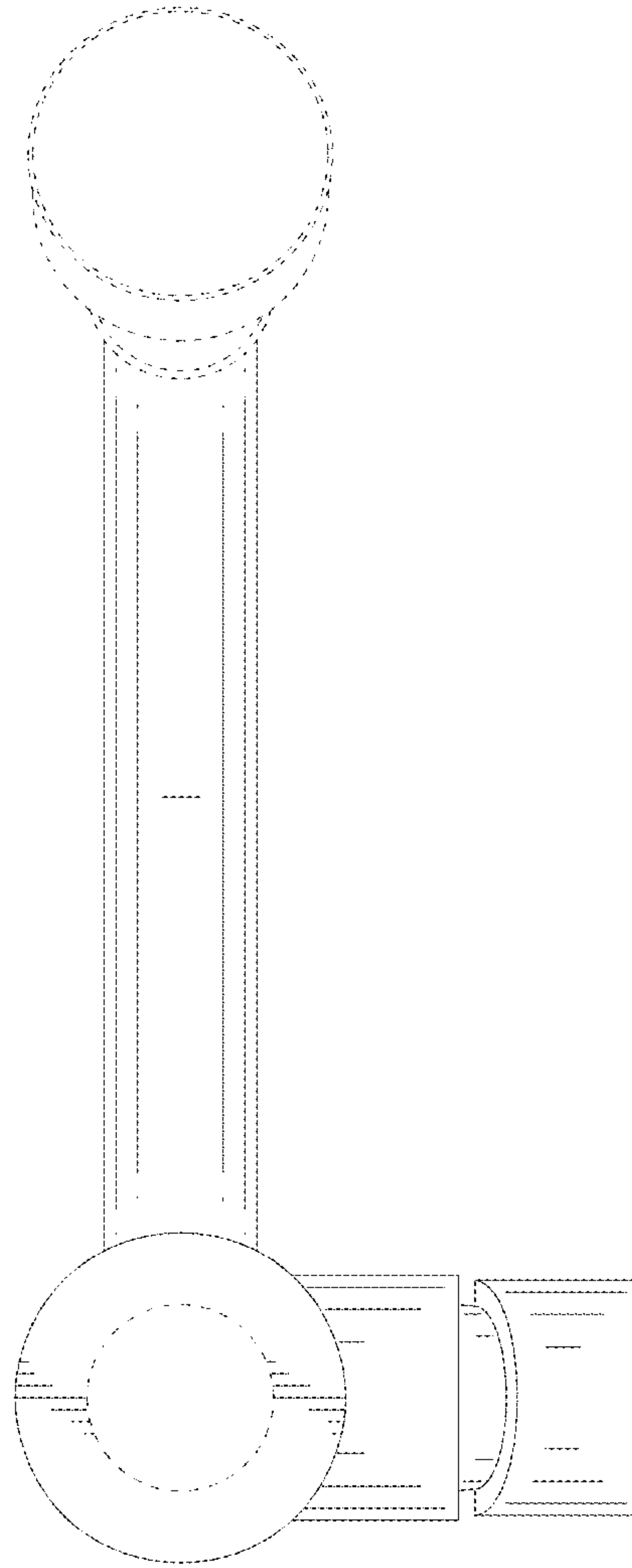


FIG.8