



US00D823433S

(12) **United States Design Patent**  
**Benson**

(10) **Patent No.:** **US D823,433 S**  
(45) **Date of Patent:** **\*\* Jul. 17, 2018**

- (54) **FAUCET FILTER**
- (71) Applicant: **AQUAMEDIX LLC**, Minneapolis, MN (US)
- (72) Inventor: **J. Brady Benson**, Minneapolis, MN (US)
- (73) Assignee: **AQUAMEDIX LLC**, Minneapolis, MN (US)

D484,567 S *	12/2003	Gaston	.....	D23/209
6,797,156 B2 *	9/2004	Chau	.....	B01D 35/04
				137/549
D533,622 S *	12/2006	Ross	.....	D23/209
D542,374 S *	5/2007	Green	.....	D23/209
7,810,650 B2 *	10/2010	Ennis	.....	C02F 9/005
				210/236
D635,640 S *	4/2011	Xu	.....	D23/209
9,004,290 B2 *	4/2015	Tanner	.....	C02F 1/003
				137/603
D794,747 S *	8/2017	Kimura	.....	D23/207
D794,748 S *	8/2017	Kimura	.....	D23/207

(\*\*) Term: **15 Years**

\* cited by examiner

(21) Appl. No.: **29/591,596**

*Primary Examiner* — Robin V Webster

(22) Filed: **Jan. 20, 2017**

(74) *Attorney, Agent, or Firm* — Viksnins Harris Padys Malen LLP

(51) **LOC (11) Cl.** ..... **23-01**

(52) **U.S. Cl.**  
USPC ..... **D23/209**

(57) **CLAIM**

(58) **Field of Classification Search**  
USPC ..... D23/207, 209; 210/232, 238, 282  
CPC ..... B01D 35/30; B01D 19/0031; C02F 1/003;  
C02F 1/283

The ornamental design for a faucet filter, as shown and described.

See application file for complete search history.

**DESCRIPTION**

(56) **References Cited**

**U.S. PATENT DOCUMENTS**

D277,305 S *	1/1985	Grube	.....	D23/209
4,504,389 A *	3/1985	Rundzaitis	.....	B01D 35/043
				210/266
D358,868 S *	5/1995	Hembree	.....	D23/207
D398,369 S *	9/1998	Hayes	.....	D23/209
D398,703 S *	9/1998	Hayes	.....	D23/209
D410,728 S *	6/1999	Kurth	.....	D23/209
5,935,426 A *	8/1999	Giordano	.....	B01D 17/0208
				200/81.9 M
6,123,837 A *	9/2000	Wadsworth	.....	B01D 35/04
				137/801
D457,596 S *	5/2002	Guzman	.....	D23/209

FIG. 1 is a perspective view of a faucet filter showing my new design.

FIG. 2 is a first side view of the faucet filter of FIG. 1.

FIG. 3 is a second side view of the faucet filter of FIG. 1.

FIG. 4 is a front view of the faucet filter of FIG. 1.

FIG. 5 is a back view of the faucet filter of FIG. 1.

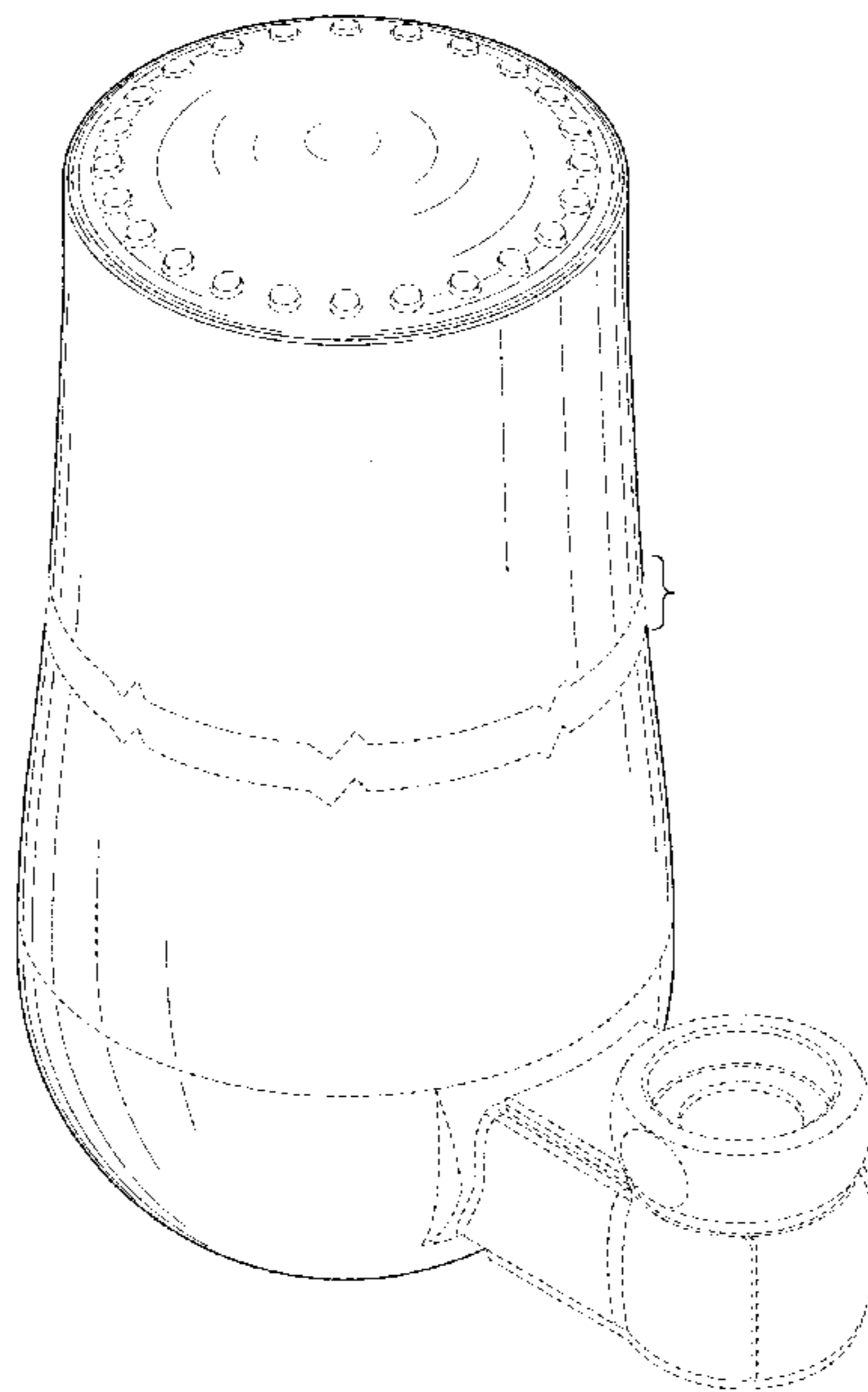
FIG. 6 is a top view of the faucet filter of FIG. 1; and,

FIG. 7 is a bottom view of the faucet filter of FIG. 1.

The broken lines are shown in the views for illustrative purposes only, and form no part of the claimed design.

The faucet filter is shown with broken line breaks to indicate non-specified length. The appearance of any portion of the article between the break lines forms no part of the claimed design.

**1 Claim, 6 Drawing Sheets**



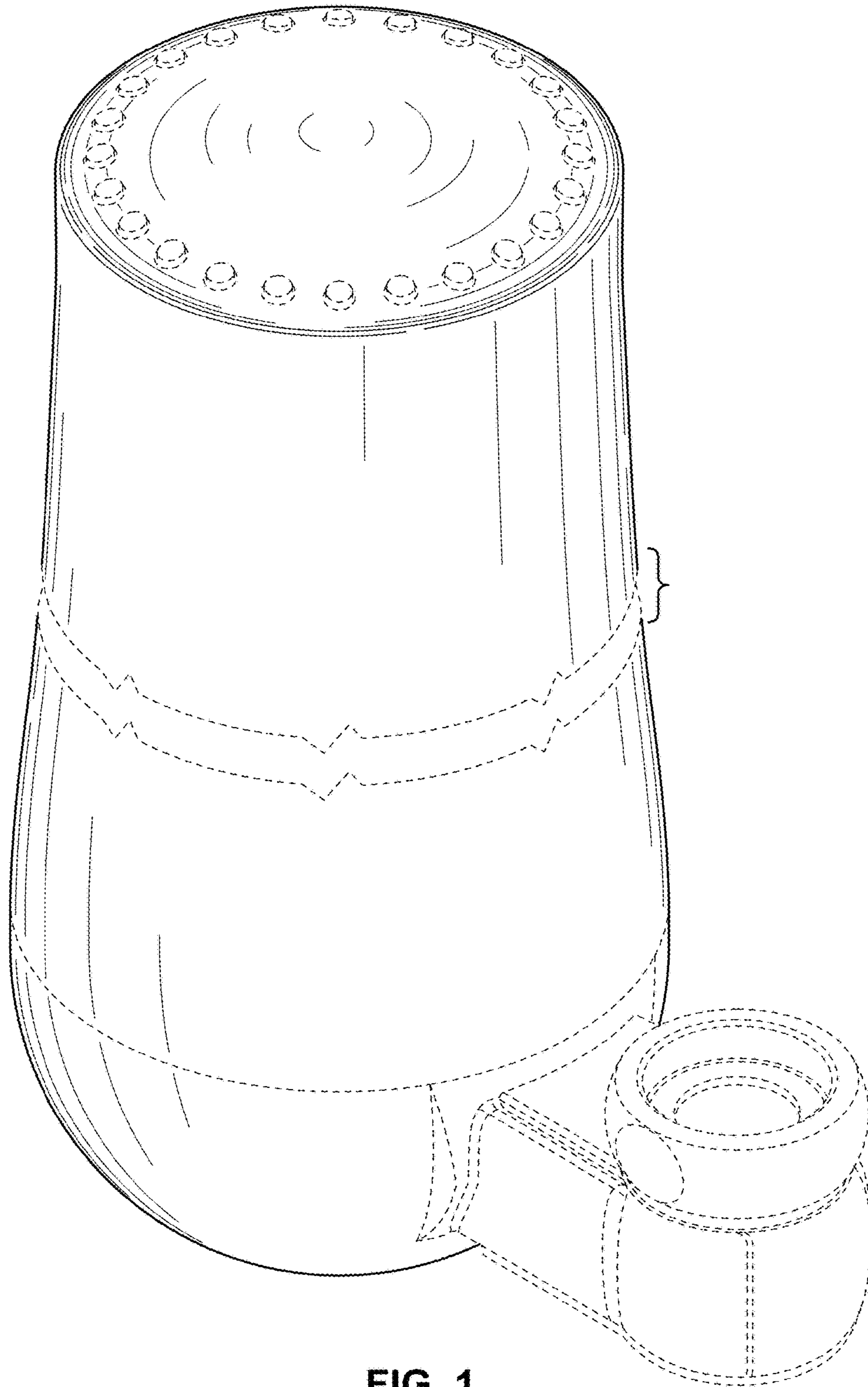


FIG. 1

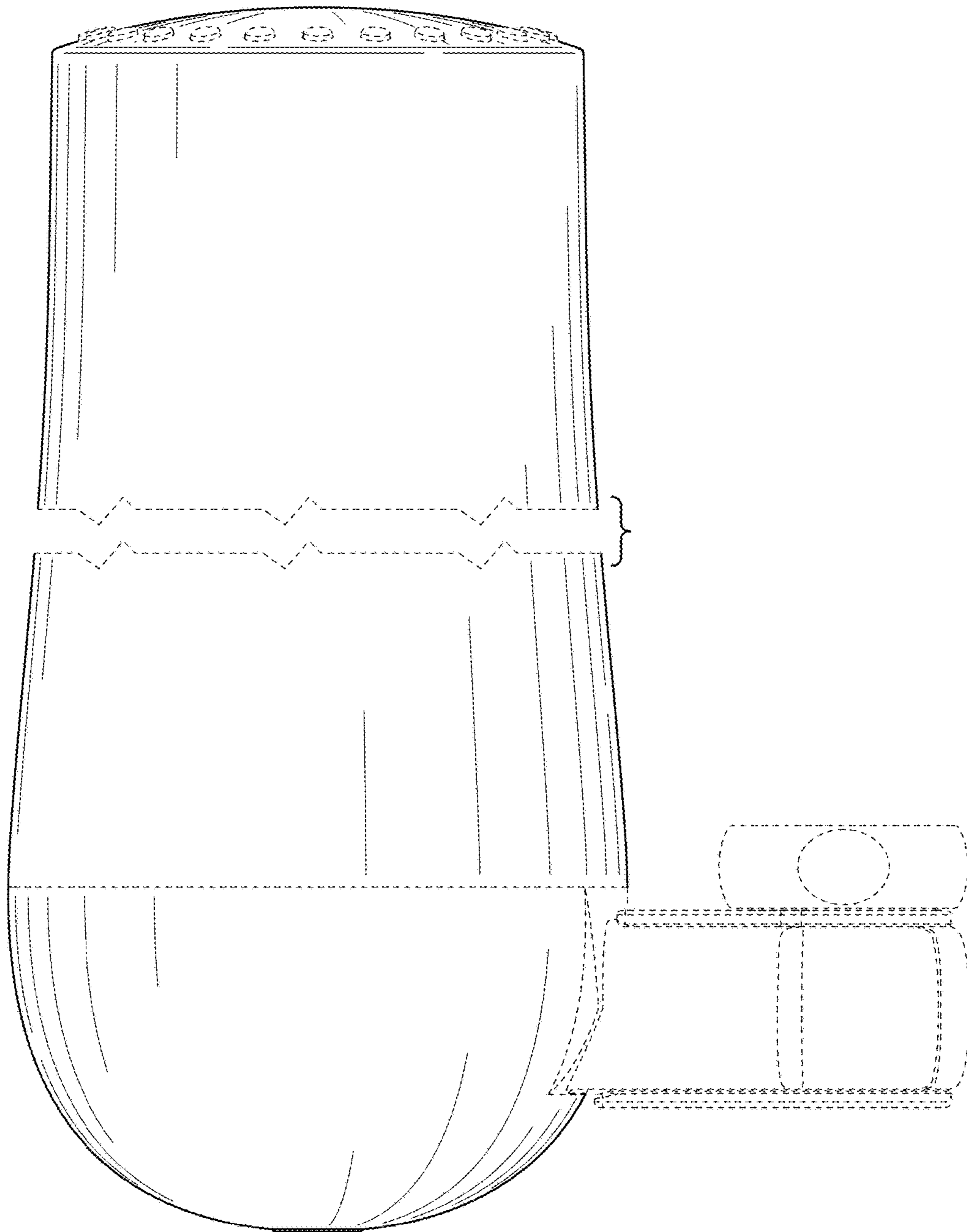


FIG. 2

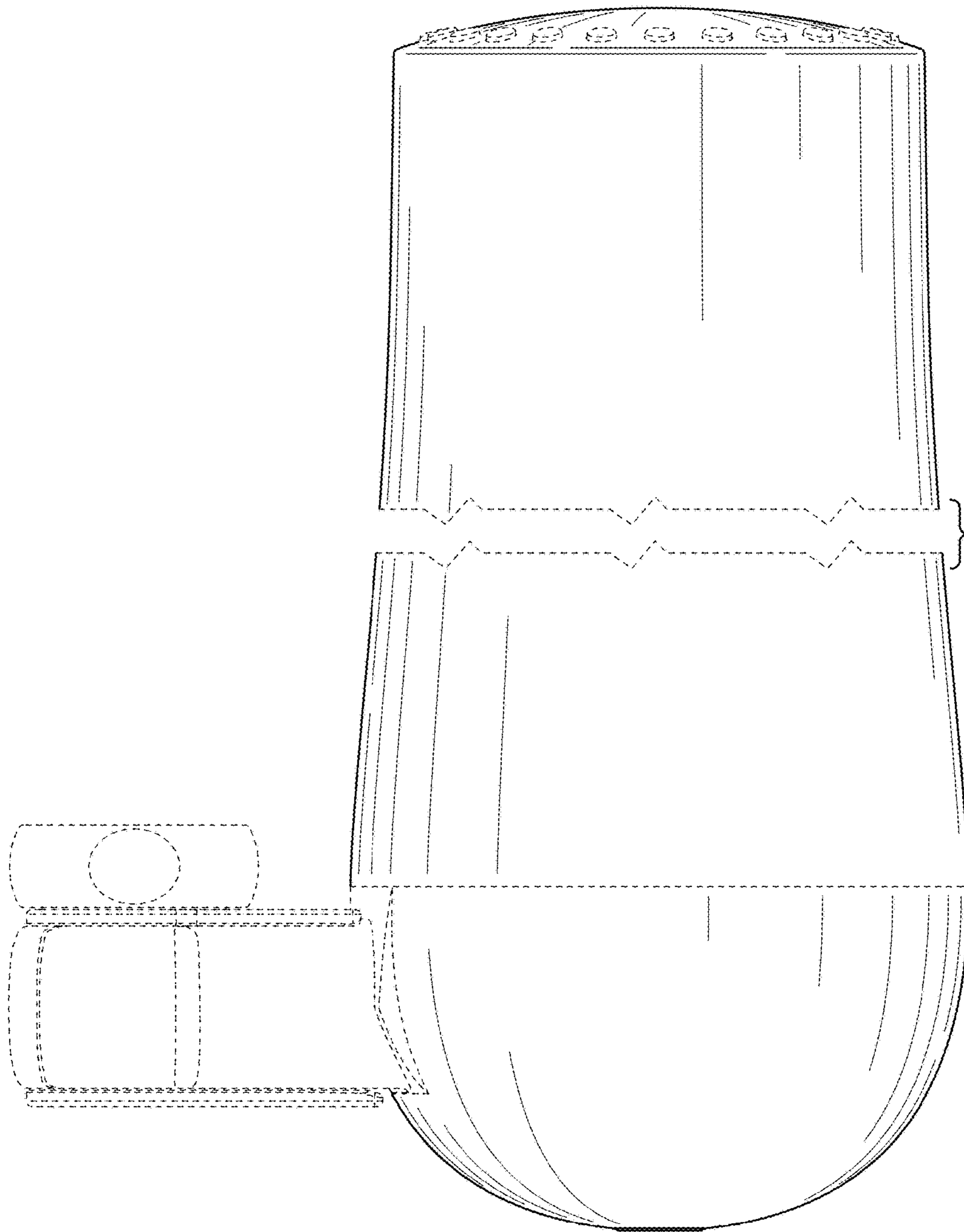


FIG. 3

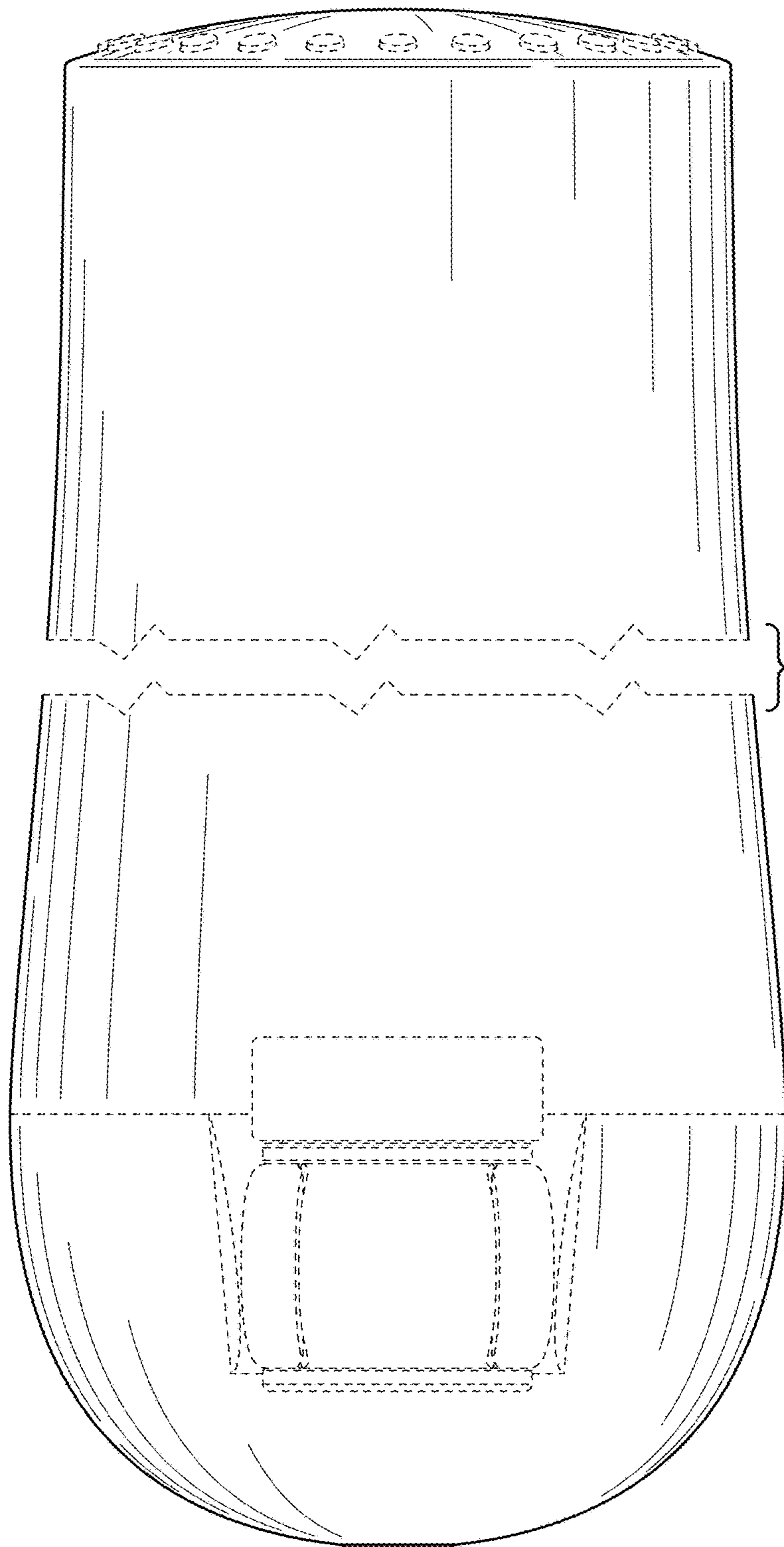


FIG. 4

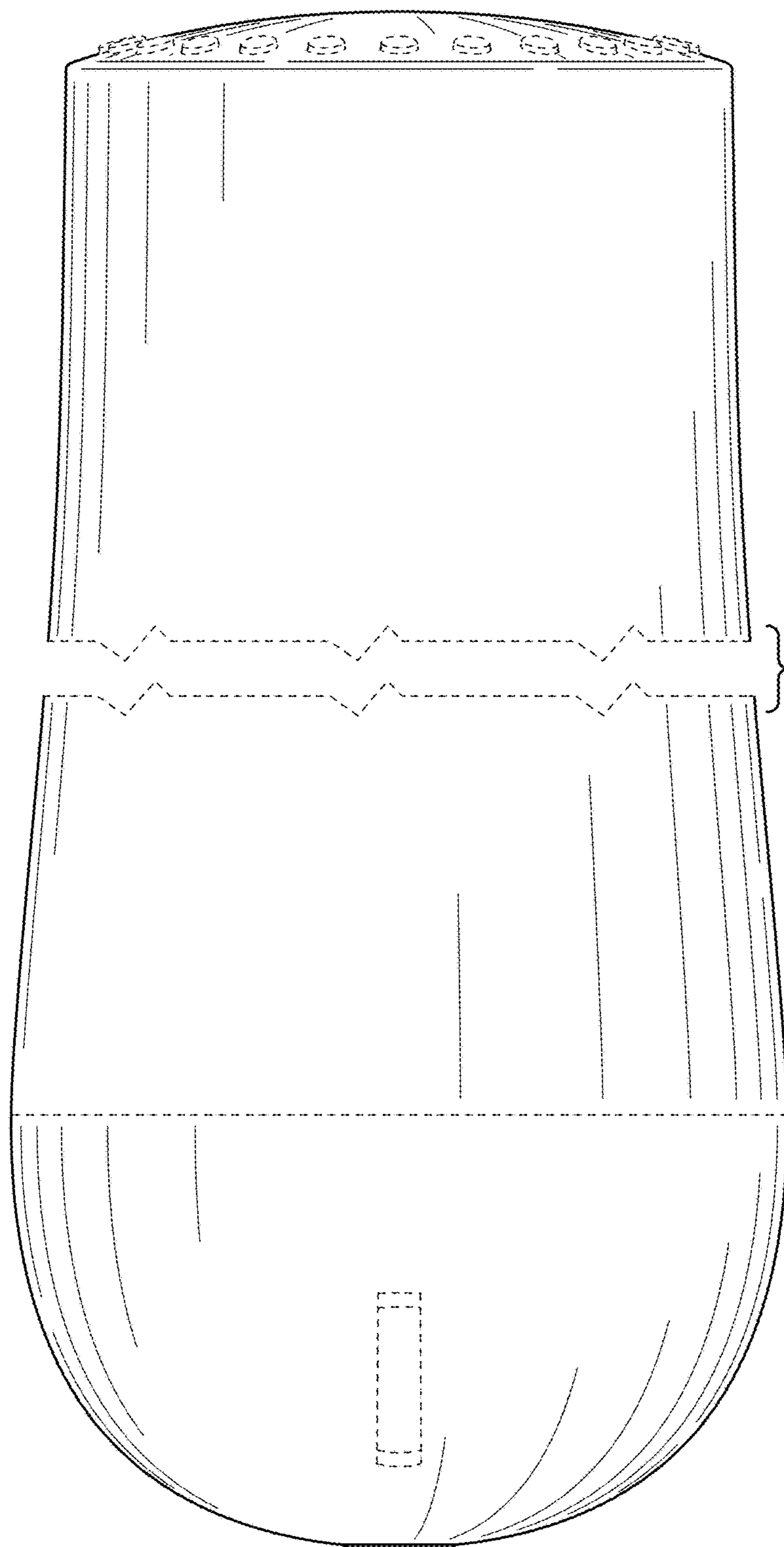


FIG. 5

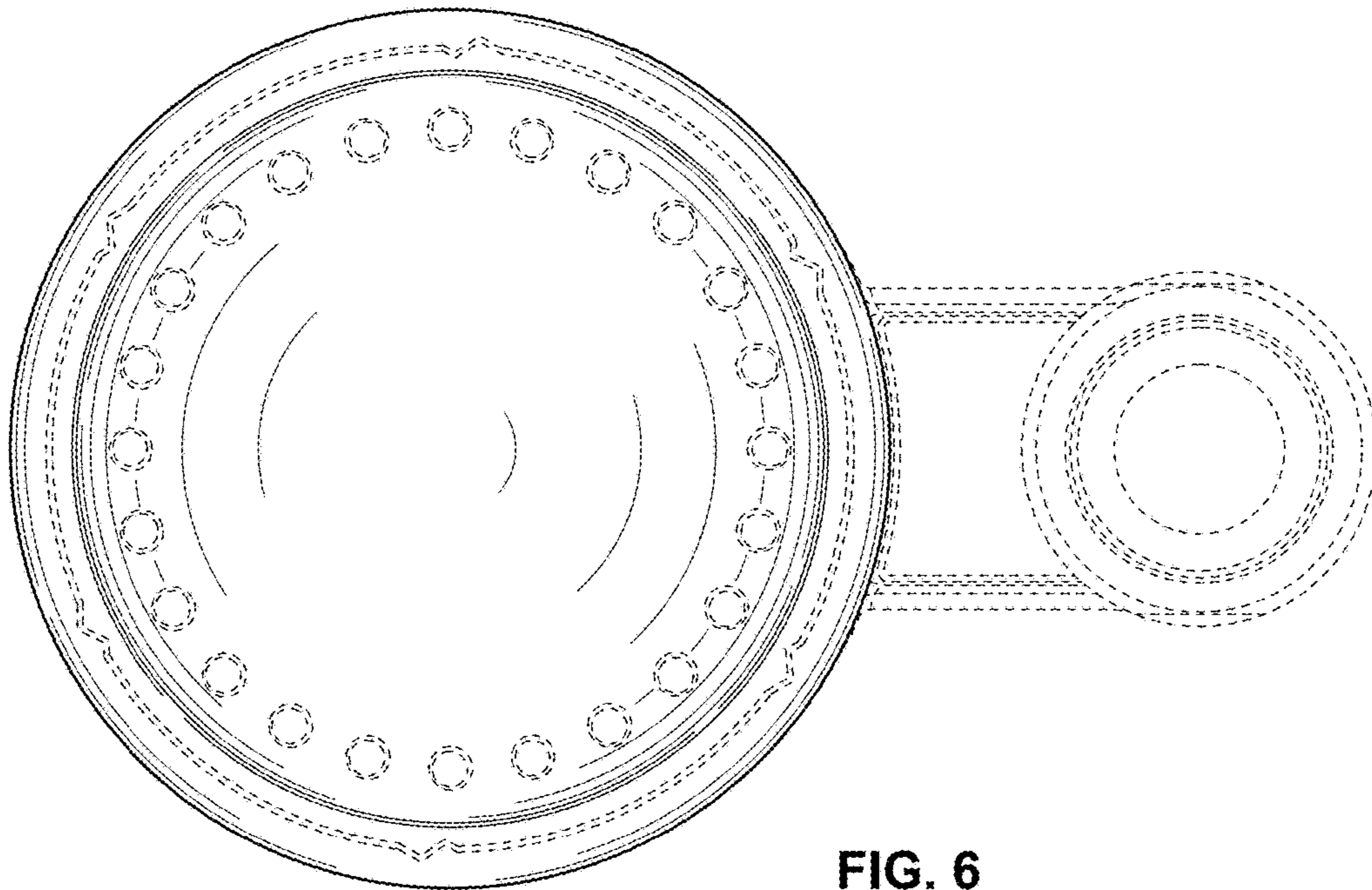


FIG. 6

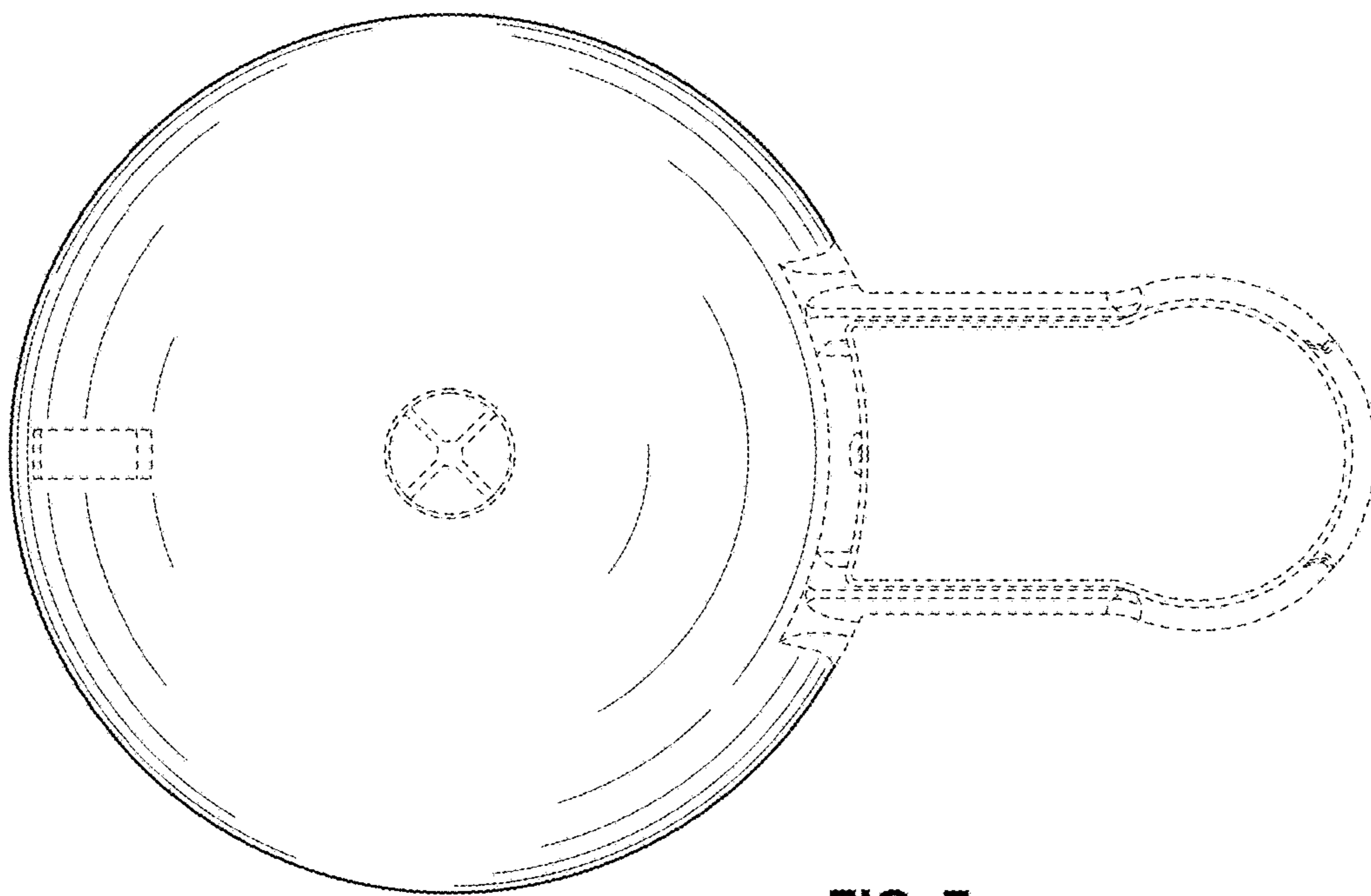


FIG. 7