



US00D823432S

(12) **United States Design Patent** (10) **Patent No.:** **US D823,432 S**
Oh et al. (45) **Date of Patent:** **** Jul. 17, 2018**

(54) **WHEEL**
(71) Applicant: **Faraday & Future Inc.**, Gardena, CA (US)
(72) Inventors: **Brian Sung Oh**, Granada Hills, CA (US); **Richard S. Kim**, Los Angeles, CA (US); **Calvin Liu**, Torrance, CA (US)

D686,133 S * 7/2013 Juergens D12/209
D697,858 S * 1/2014 Kito D12/209
D710,286 S * 8/2014 Yamaguchi D12/209
D725,568 S * 3/2015 Hodges D12/209
D744,400 S * 12/2015 Watanuki D12/209
D757,625 S * 5/2016 Hu D12/209
D774,437 S * 12/2016 Nakano D12/209
D778,798 S * 2/2017 Park D12/209
D782,384 S * 3/2017 Oh D12/209
D788,002 S * 5/2017 Bridan D12/209
D788,672 S * 6/2017 Lee D12/209

(73) Assignee: **FARADAY & FUTURE INC.**, Gardena, CA (US)

* cited by examiner

(**) Term: **15 Years**

Primary Examiner — Sheryl Lane
Assistant Examiner — Calvin E Vansant

(21) Appl. No.: **29/575,143**

(74) *Attorney, Agent, or Firm* — Finnegan, Henderson, Farabow, Garrett & Dunner, LLP

(22) Filed: **Aug. 22, 2016**

(57) **CLAIM**

(51) **LOC (11) Cl.** **23-01**
(52) **U.S. Cl.**
USPC **D23/209**

The ornamental design for a wheel, as shown and described.

(58) **Field of Classification Search**
USPC D12/204–213
CPC B60B 7/00; B60B 7/02; B60B 7/04; B60B 7/01; B60B 7/06; B60B 3/02; B60B 3/04; B60B 3/06; B60B 3/10; B60B 1/00; B60B 1/08; B60B 1/10; B60B 1/12
See application file for complete search history.

DESCRIPTION

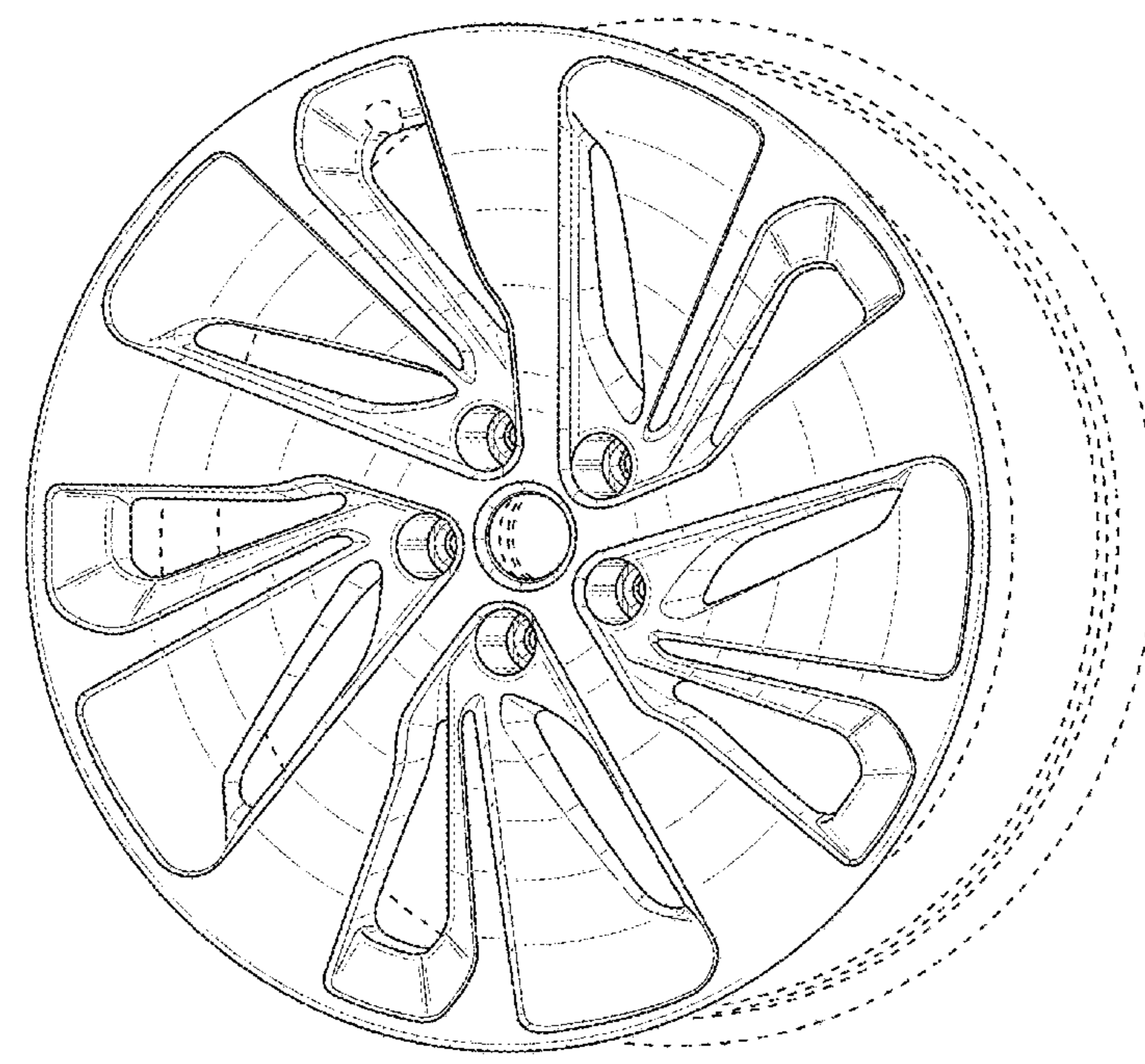
(56) **References Cited**

FIG. 1 is a front perspective view of a wheel, showing our new design;
FIG. 2 is a front view thereof;
FIG. 3 is a right side view thereof, it being understood that the left side view, top view and bottom view are identical; and,
FIG. 4 is an enlarged partial view of a portion of the wheel defined by lines 4-4 in FIG. 2.
In the drawings, the broken lines depict environmental subject matter only and form no part of the claimed design. The dash-dot-dash broken lines define the bounds of the claimed design and form no part thereof.

U.S. PATENT DOCUMENTS

D431,518 S * 10/2000 Fitzgerald D12/209
D652,361 S * 1/2012 Forscher D12/209
D664,908 S * 8/2012 Kim D12/209
D683,680 S * 6/2013 Kito D12/204

1 Claim, 4 Drawing Sheets



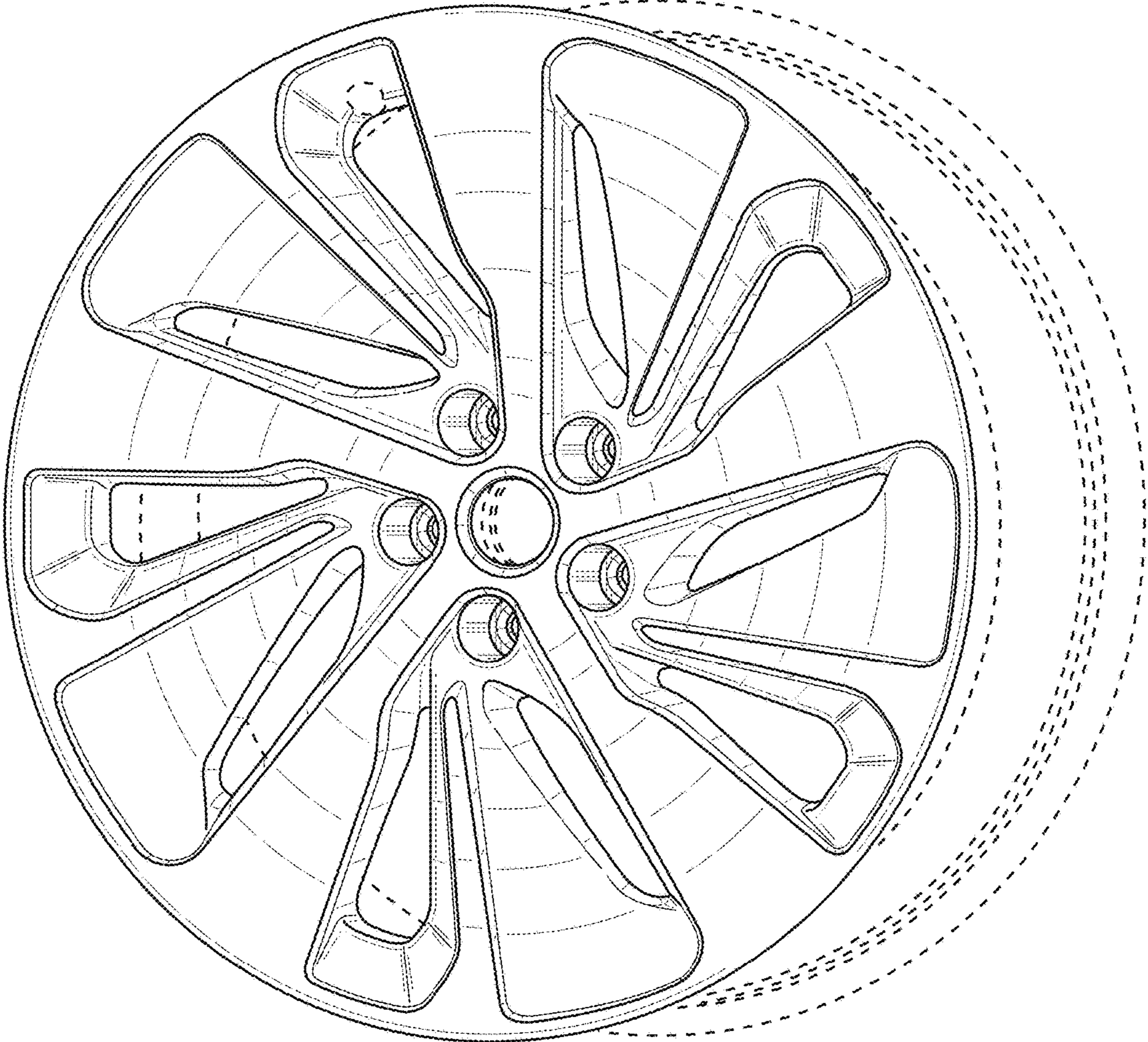


FIG. 1

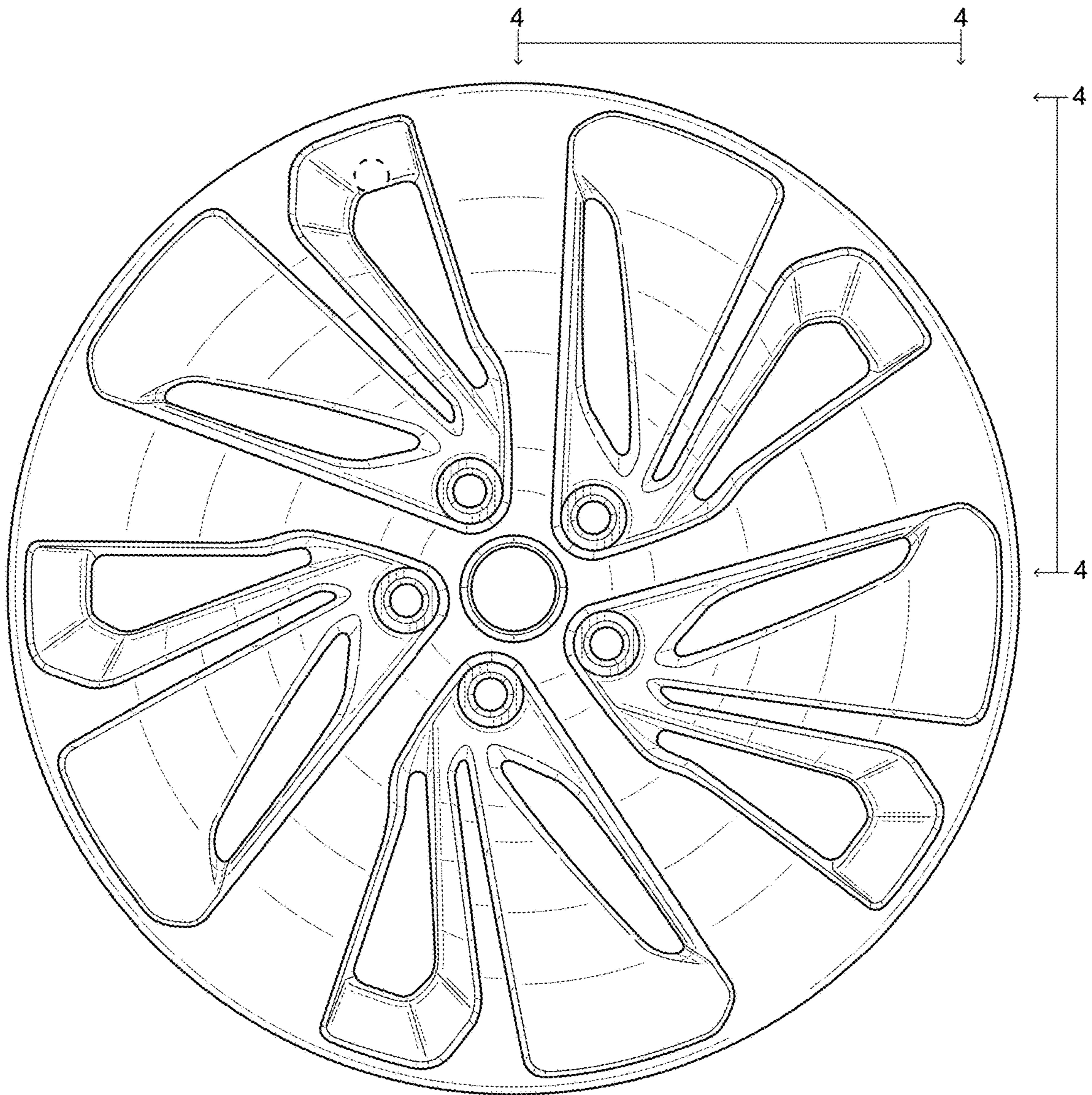


FIG. 2

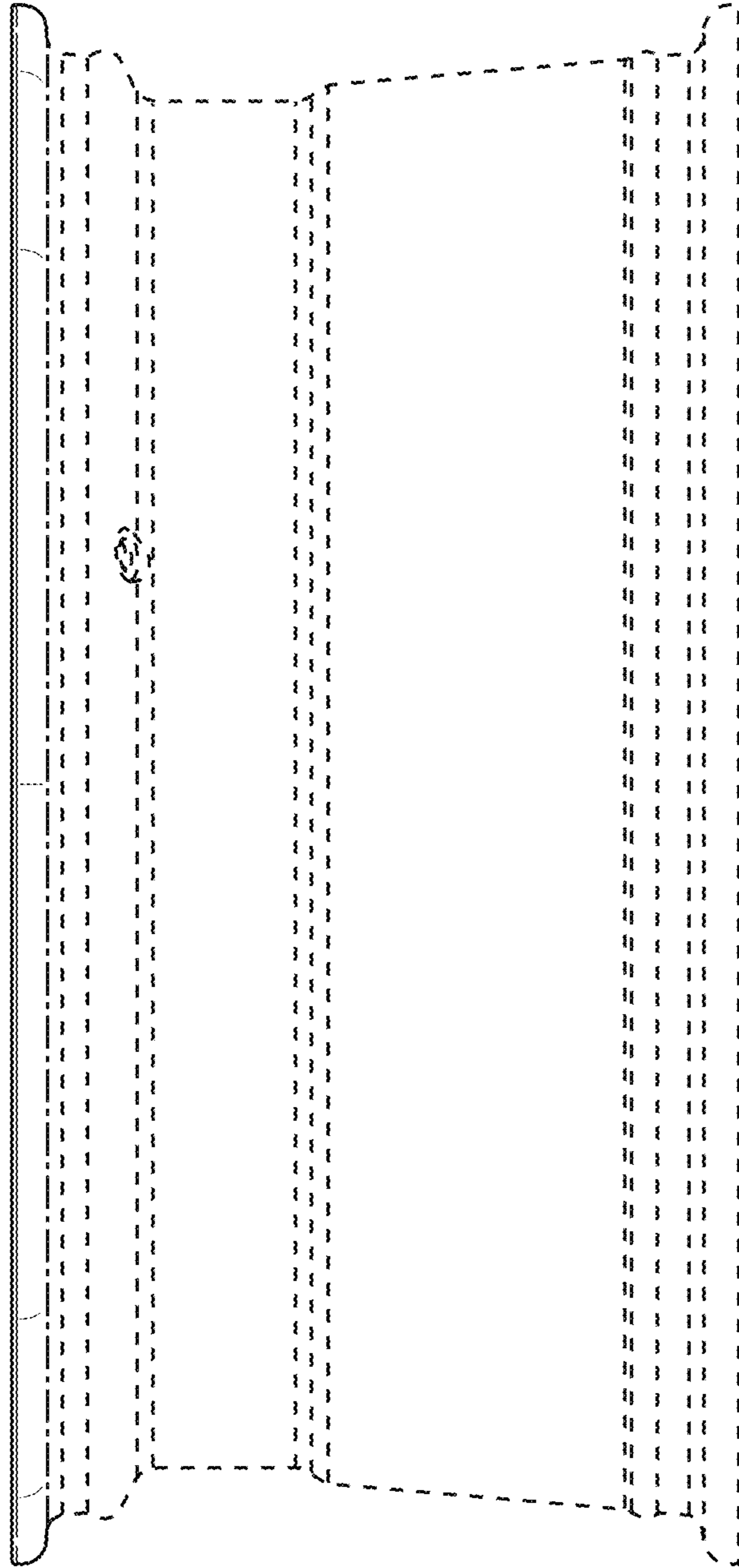


FIG. 3

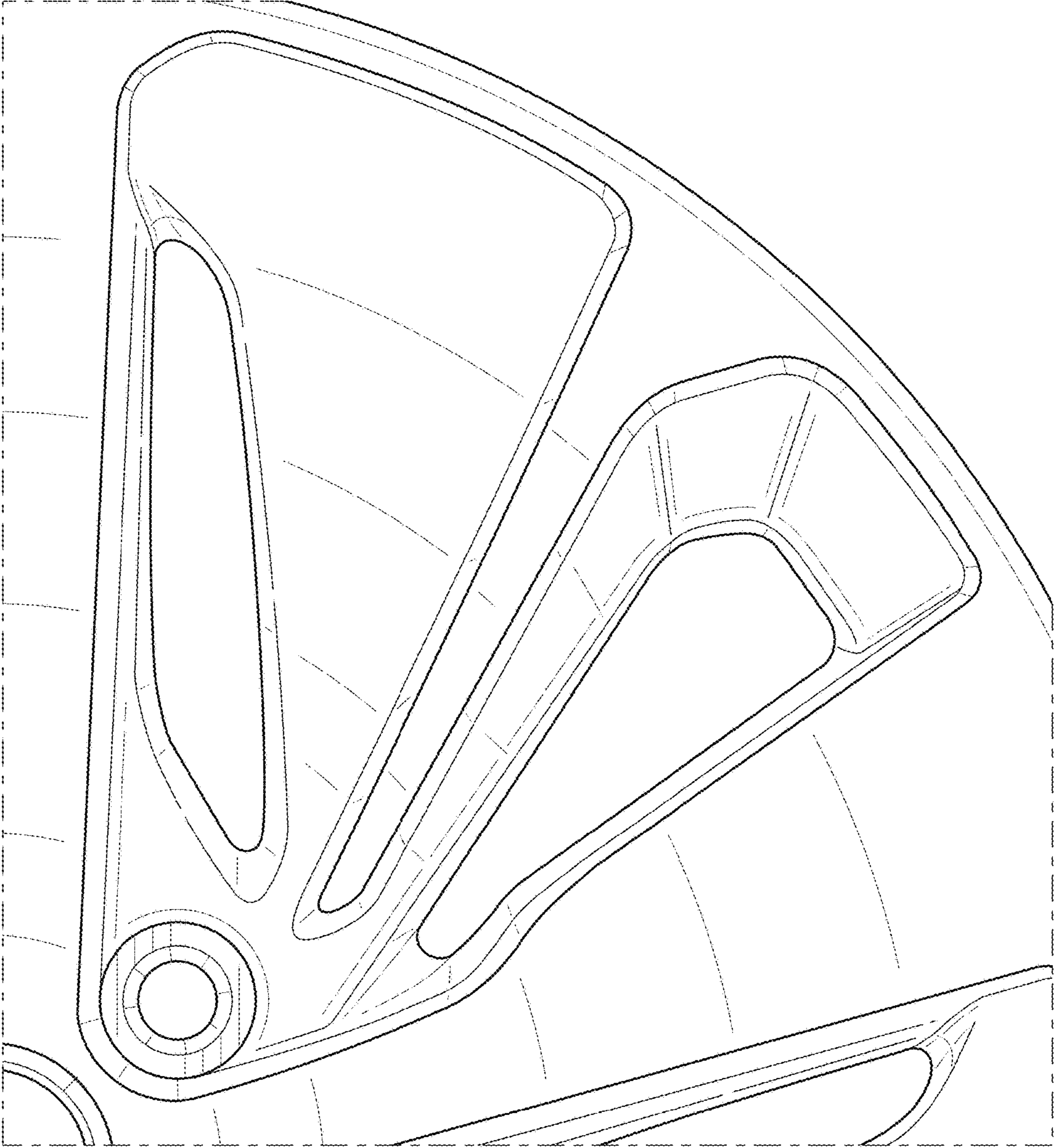


FIG. 4