



US00D823431S

(12) **United States Design Patent** (10) **Patent No.:** **US D823,431 S**
Adey et al. (45) **Date of Patent:** **** Jul. 17, 2018**

(54) **FILTER** 4,090,956 A * 5/1978 Benzon B04C 5/12
209/727
(71) Applicant: **Adey Holdings (2008) Limited,** 4,544,483 A 10/1985 Arvai
Cheltenham (GB) 4,881,573 A 11/1989 Durant et al.
5,201,552 A 4/1993 Hohmann et al.
(72) Inventors: **Christopher Adey,** Cheltenham (GB); 5,203,891 A * 4/1993 Lema B01D 45/12
Matthew Taylor, Cheltenham (GB); 55/460
Simon Downie, Cheltenham (GB) 5,257,525 A 11/1993 Clarke
D454,614 S * 3/2002 Marston D23/207
D654,558 S * 2/2012 Zeng D23/208
(73) Assignee: **ADEY HOLDINGS (2008) LIMITED,** D675,705 S * 2/2013 Mallol D23/207
Cheltenham (GB) (Continued)

(**) Term: **15 Years**

FOREIGN PATENT DOCUMENTS

(21) Appl. No.: **29/560,415**

BE 646074 A 10/1959
DE 4310795 C1 7/1994

(22) Filed: **Apr. 6, 2016**

(Continued)

Related U.S. Application Data

Primary Examiner — Robin V Webster

(63) Continuation of application No. 14/439,059, filed as application No. PCT/GB2013/052880 on Nov. 4, 2013.

(74) *Attorney, Agent, or Firm* — Michael E. Dockins; Shumaker, Loop & Kendrick, LLP

(30) **Foreign Application Priority Data**

(57) **CLAIM**

The ornamental design for a filter, as shown and described.

May 21, 2013 (GB) PCT/GB2013/051329
May 21, 2013 (GB) PCT/GB2013/051330
Oct. 7, 2013 (GB) 1317652.4

DESCRIPTION

(51) **LOC (11) Cl.** **23-01**
(52) **U.S. Cl.**
USPC **D23/209**

(58) **Field of Classification Search**
USPC D23/207, 209; 210/223, 512.1
CPC B04C 5/14; F16L 29/007; F16R 31/00
See application file for complete search history.

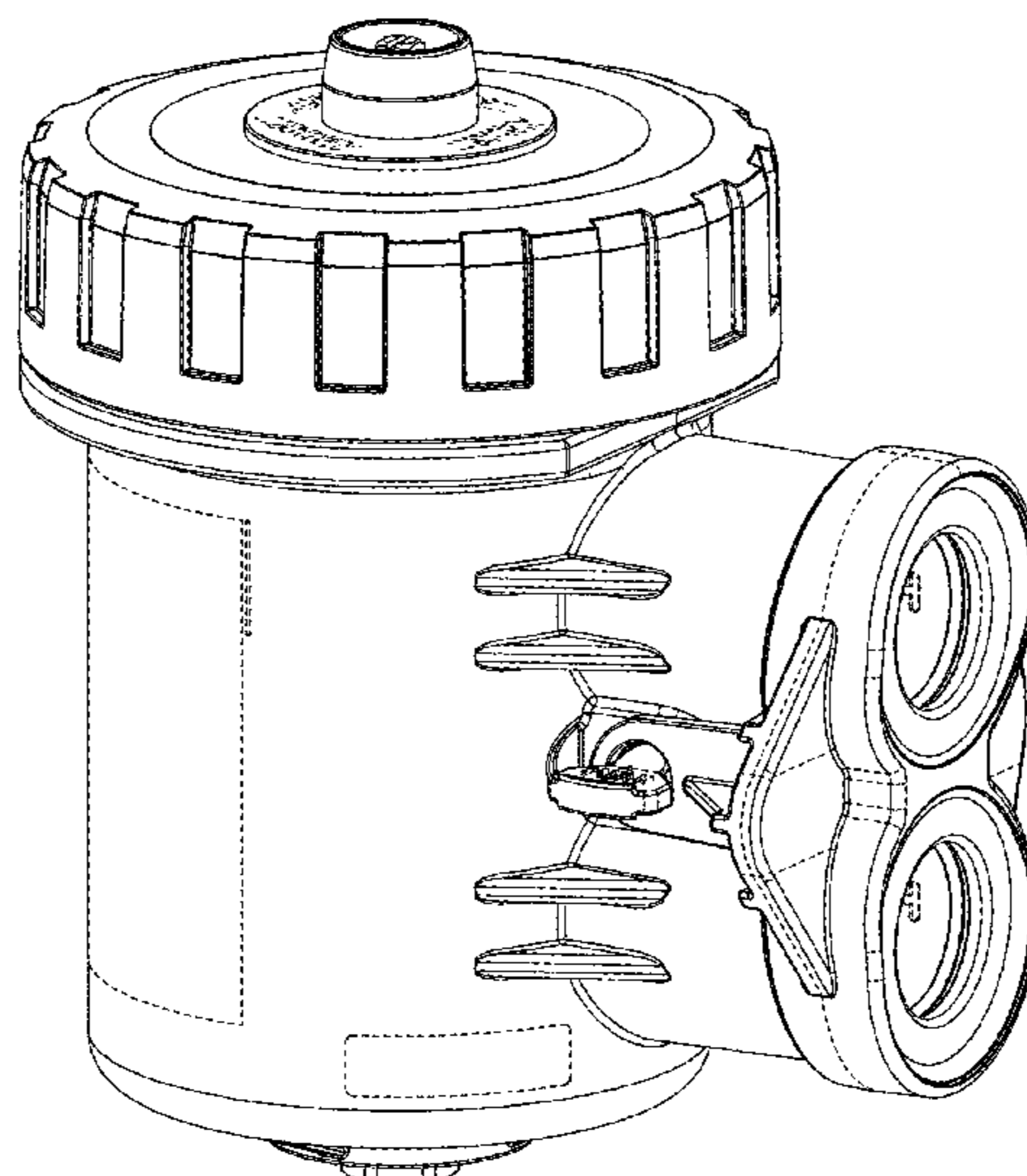
FIG. 1 is a front perspective view of a filter showing my new design;
FIG. 2 is a front elevational view thereof;
FIG. 3 is a rear elevational view thereof;
FIG. 4 is a left-side elevational view thereof;
FIG. 5 is a right-side elevational view thereof;
FIG. 6 is a top plan view thereof;
FIG. 7 is a bottom plan view thereof; and,
FIG. 8 is a rear perspective view thereof.
The ornamental design which is claimed is shown in solid lines in the drawings. Features and portions in broken lines are presented for illustrative purposes and form no part of the claimed design.

(56) **References Cited**

U.S. PATENT DOCUMENTS

3,339,740 A 9/1967 Starzyk
3,696,927 A 10/1972 Jakobsson et al.

1 Claim, 8 Drawing Sheets



(56)

References Cited

U.S. PATENT DOCUMENTS

D705,390 S * 5/2014 Okazaki D23/207
2005/0167352 A1 8/2005 Burrows et al.
2008/0000820 A1 1/2008 Mitchell
2012/0067802 A1 3/2012 Irvin

FOREIGN PATENT DOCUMENTS

EP 2453157 A2 5/2012
FR 2693662 A1 1/1994
GB 274729 A 7/1927
GB 737822 A 10/1955
GB 2349685 A 11/2000
GB 2469145 A 10/2010
GB 2491246 A 11/2012
WO 8402855 A1 8/1984
WO 9942198 A1 8/1999
WO 0045937 A1 8/2000
WO 2012073029 A1 6/2012

* cited by examiner

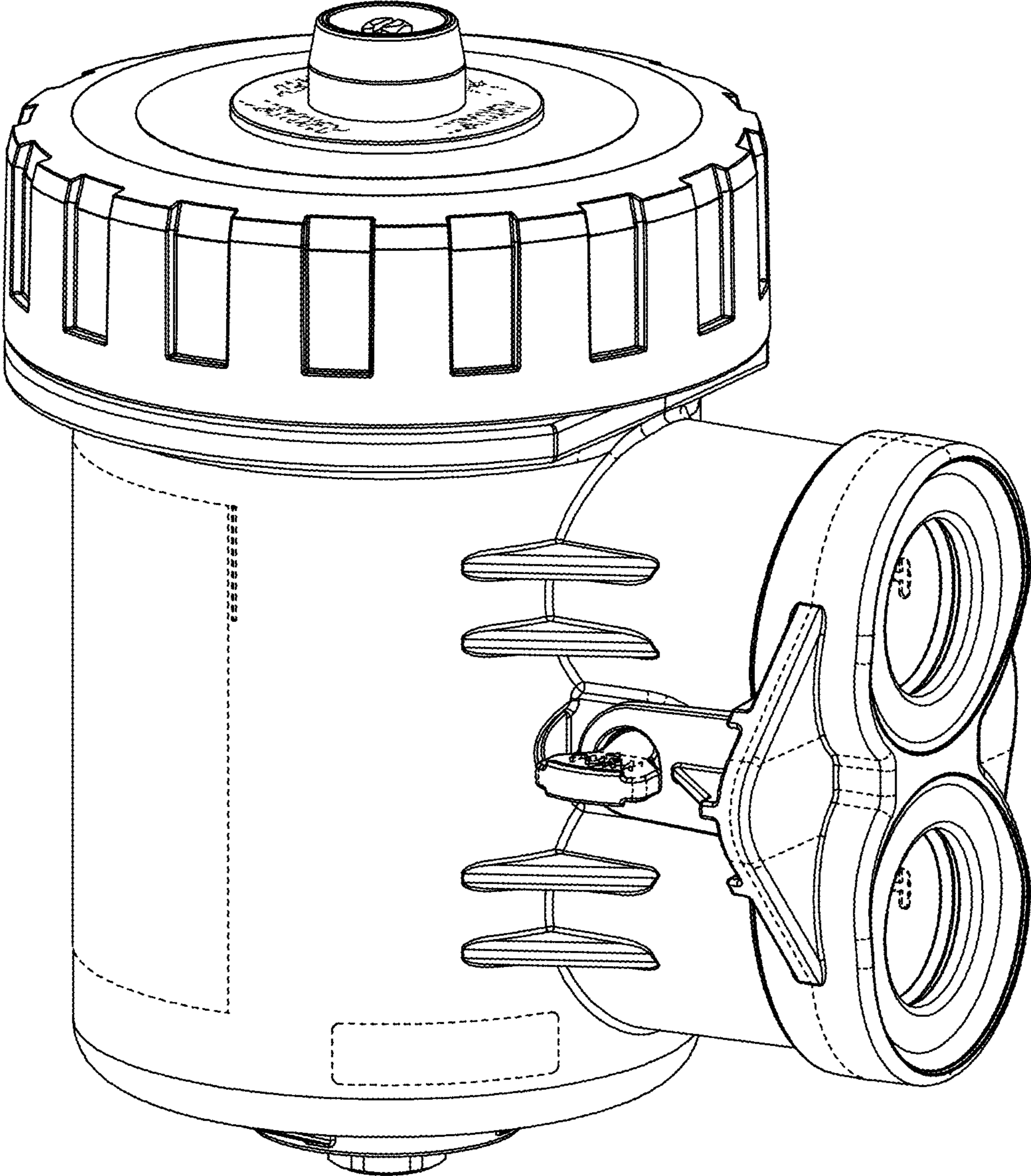


FIG. 1

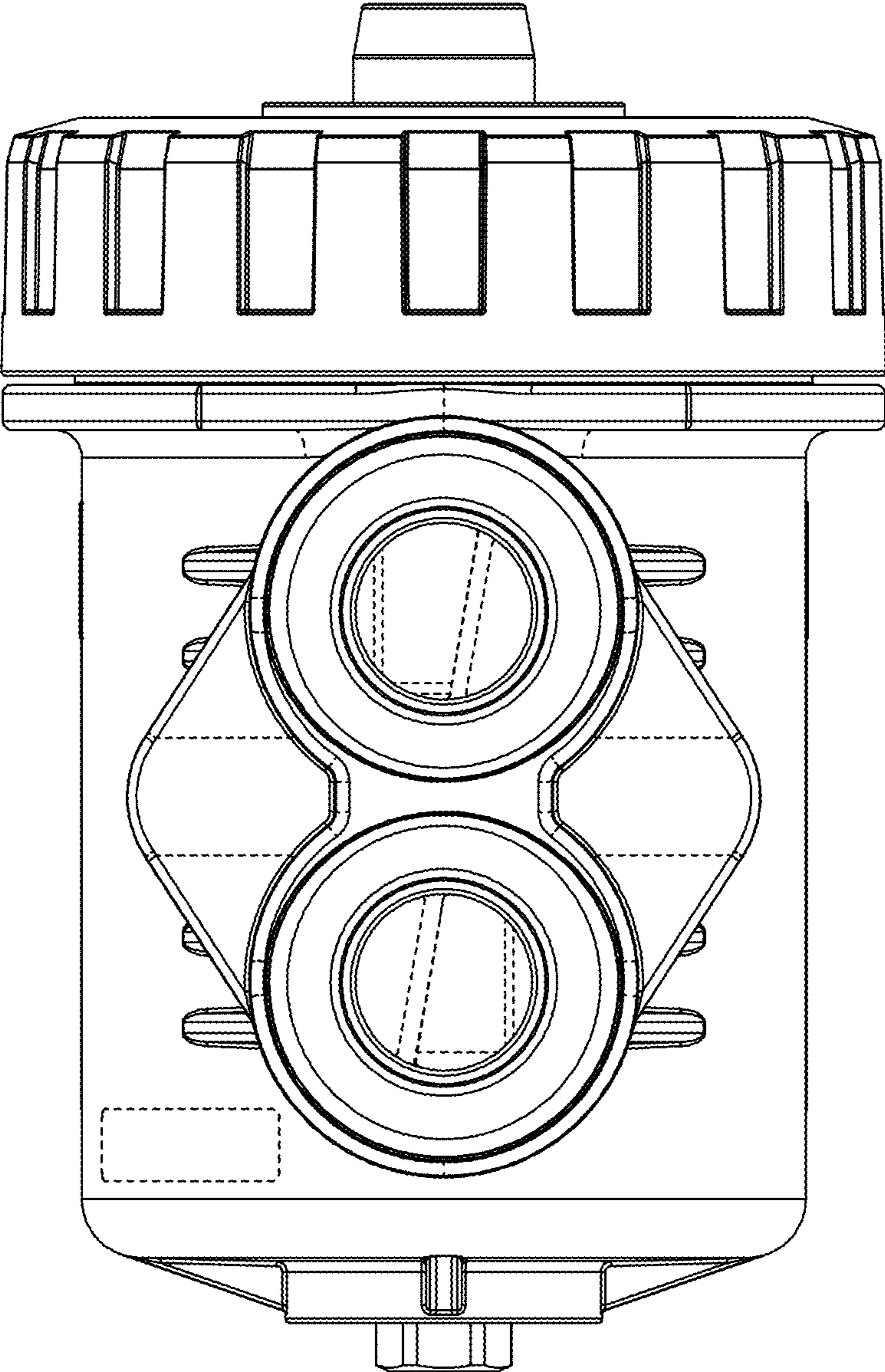


FIG. 2

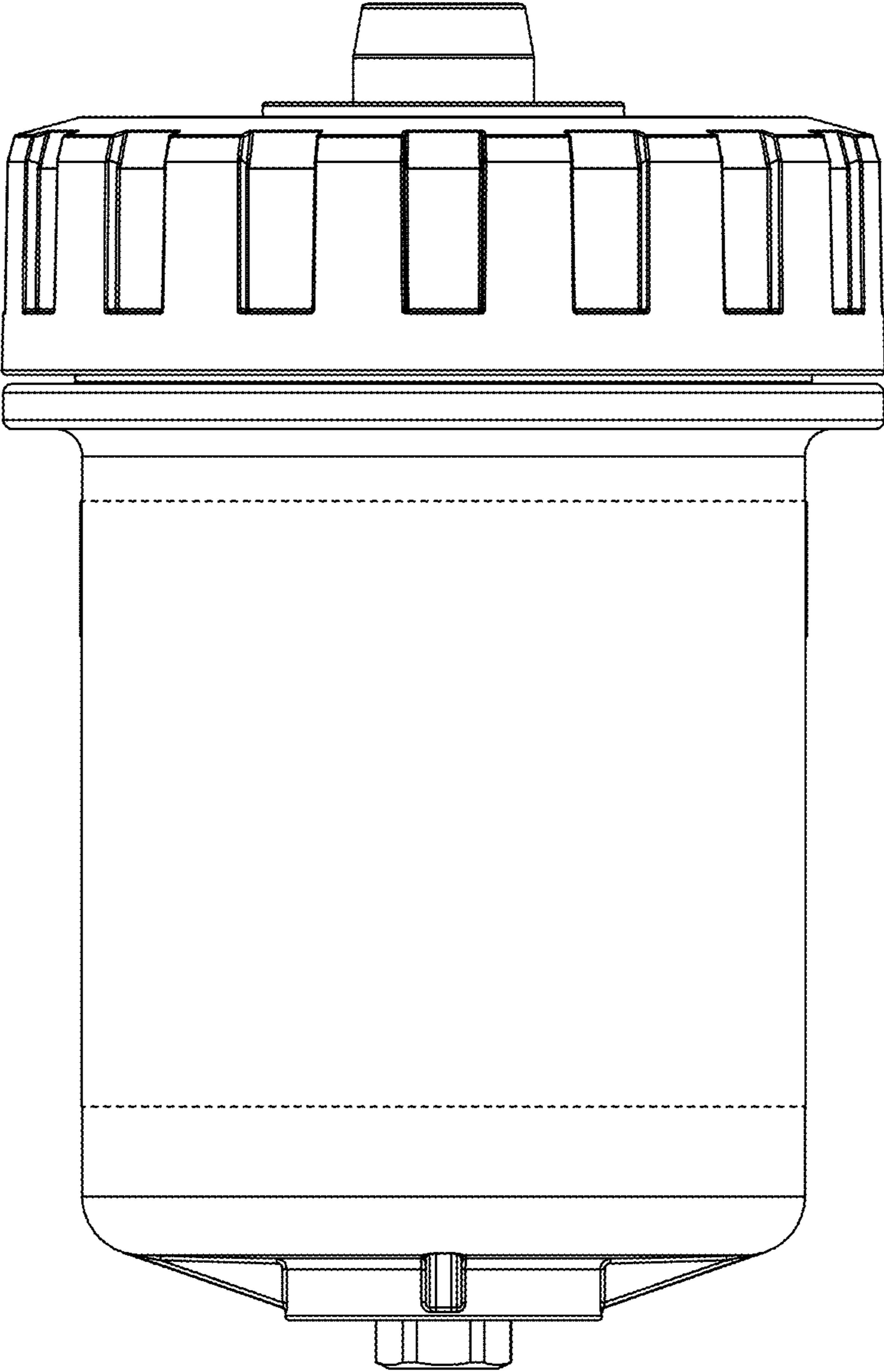


FIG. 3

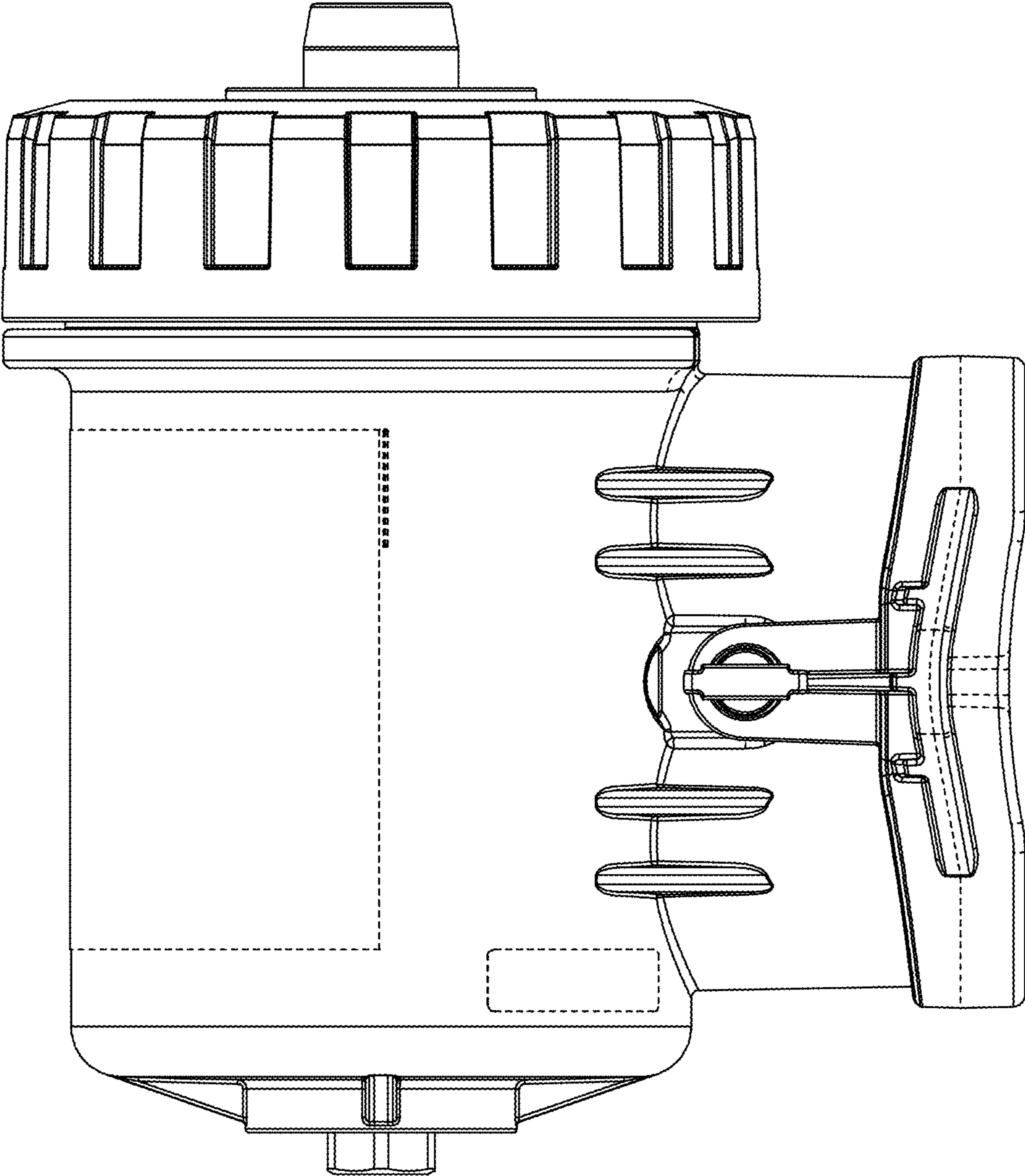


FIG. 4

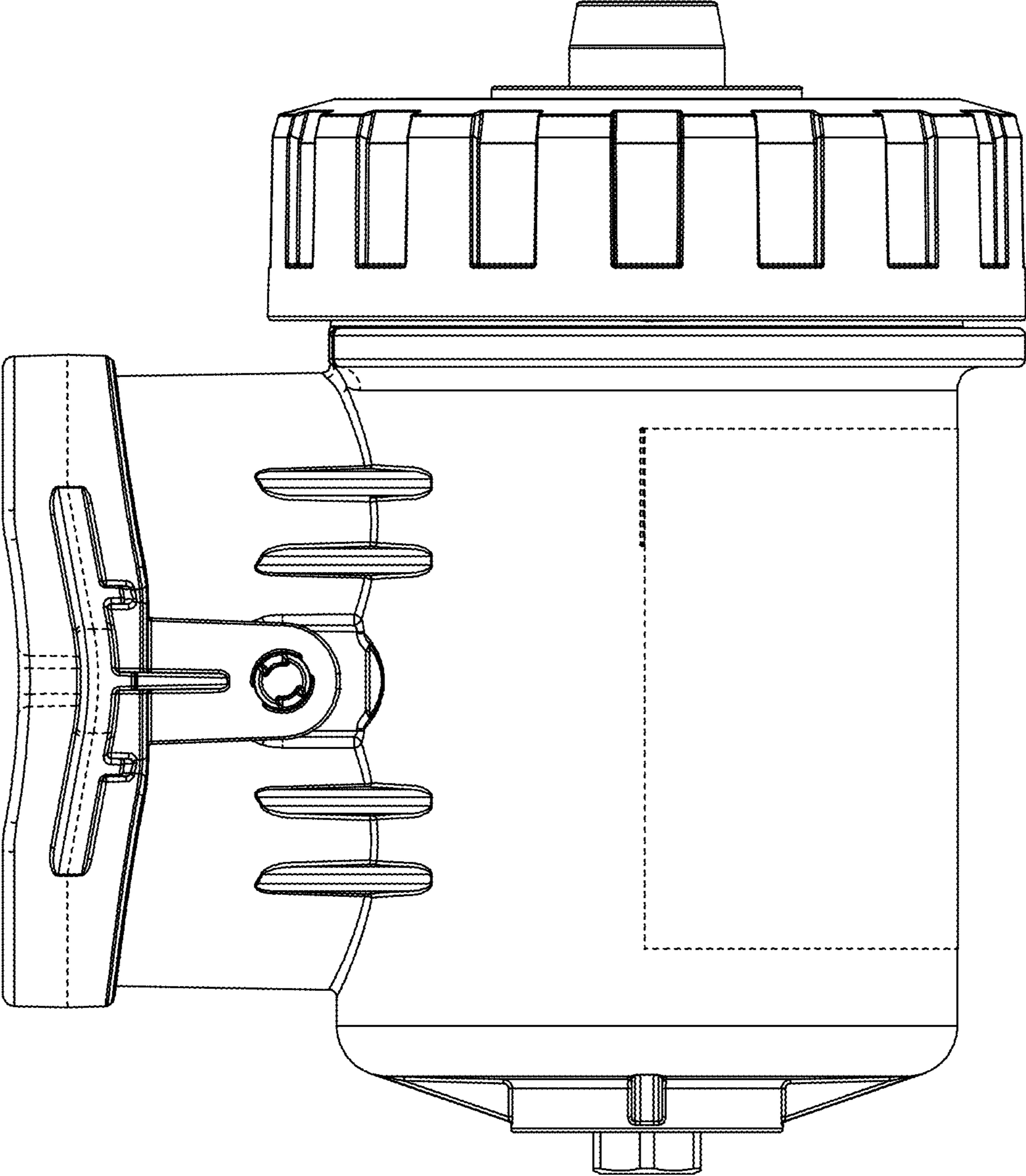


FIG. 5

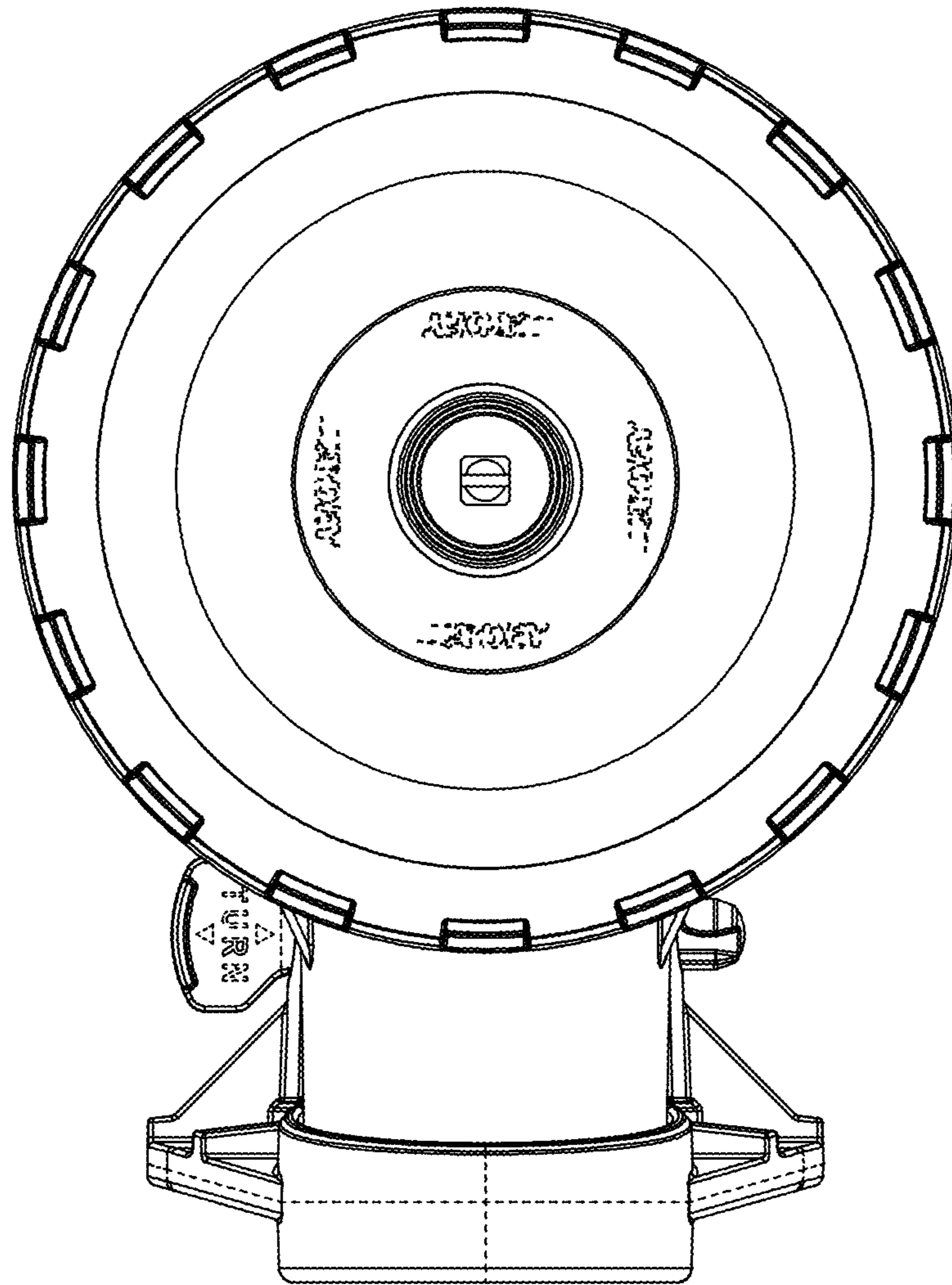


FIG. 6

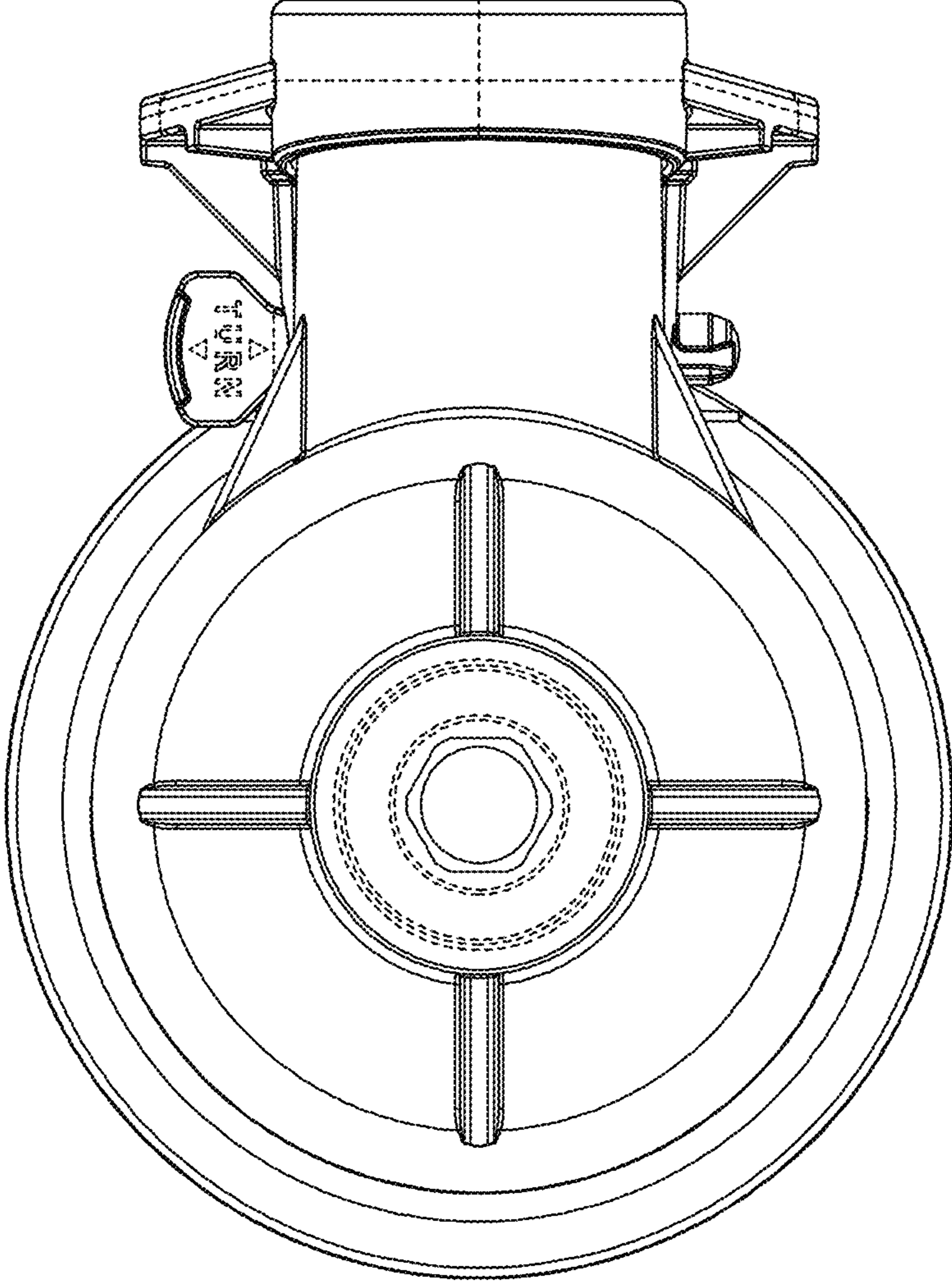


FIG. 7

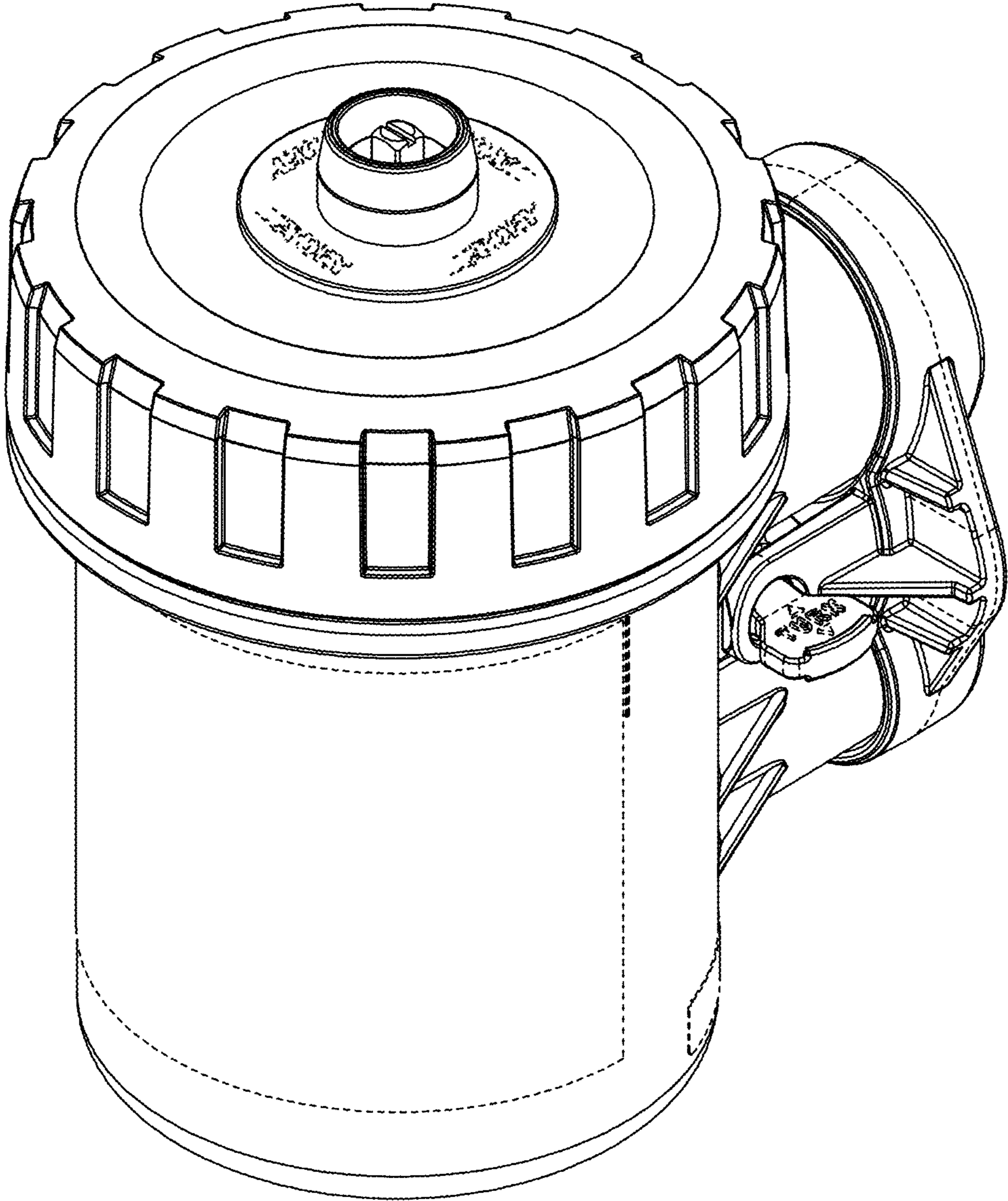


FIG. 8