



US00D823429S

(12) **United States Design Patent**
Wood et al.

(10) **Patent No.:** **US D823,429 S**
(45) **Date of Patent:** **** Jul. 17, 2018**

(54) **TOILET BOWL DISPENSER AND LIGHT**

(71) Applicants: **Taylor Brett Wood**, Provo, UT (US);
Jeremy Todd Stevenson, Orem, UT (US)

(72) Inventors: **Taylor Brett Wood**, Provo, UT (US);
Jeremy Todd Stevenson, Orem, UT (US)

(**) Term: **15 Years**

(21) Appl. No.: **29/602,702**

(22) Filed: **May 2, 2017**

(51) **LOC (11) Cl.** **23-01**

(52) **U.S. Cl.**

USPC **D23/208; D26/60**

(58) **Field of Classification Search**

USPC D23/207, 208; 4/223, 227.7, 231;
D26/51, 60, 61

CPC E03D 9/032; E03D 9/024; E03D 9/005;
C02F 1/688

See application file for complete search history.

(56) **References Cited**

U.S. PATENT DOCUMENTS

D199,735 S * 12/1964 Woodruff D23/208
D202,888 S * 11/1965 Mahler D23/208
D382,360 S * 8/1997 Bixby D26/60

5,958,334 A * 9/1999 Haddon A61L 9/04
422/122
D476,057 S * 6/2003 Nguyen D23/208
7,322,052 B2 * 1/2008 Alexander E03D 9/007
4/223
D571,031 S * 6/2008 Perkins D26/60
D600,317 S * 9/2009 Enever D23/208
D750,199 S * 2/2016 Gerhards D23/208
D750,200 S * 2/2016 Gerhards D23/208
9,332,885 B1 * 5/2016 Todd E03D 9/005
D765,817 S * 9/2016 Gerhards D23/208

* cited by examiner

Primary Examiner — Robin Valery Webster

(57) **CLAIM**

The ornamental design for a toilet bowl dispenser and light, as shown and described.

DESCRIPTION

FIG. 1 is a right elevated perspective view of a toilet bowl dispenser and light showing the new design; FIG. 2 is a left elevated perspective view thereof; FIG. 3 is a right elevational view thereof; FIG. 4 is a front elevational view thereof; FIG. 5 is a left elevational view thereof; FIG. 6 is a rear elevational view thereof; FIG. 7 is a right lower perspective view thereof; FIG. 8 is a left lower perspective view thereof; and, FIG. 9 is a top perspective view thereof.

1 Claim, 9 Drawing Sheets

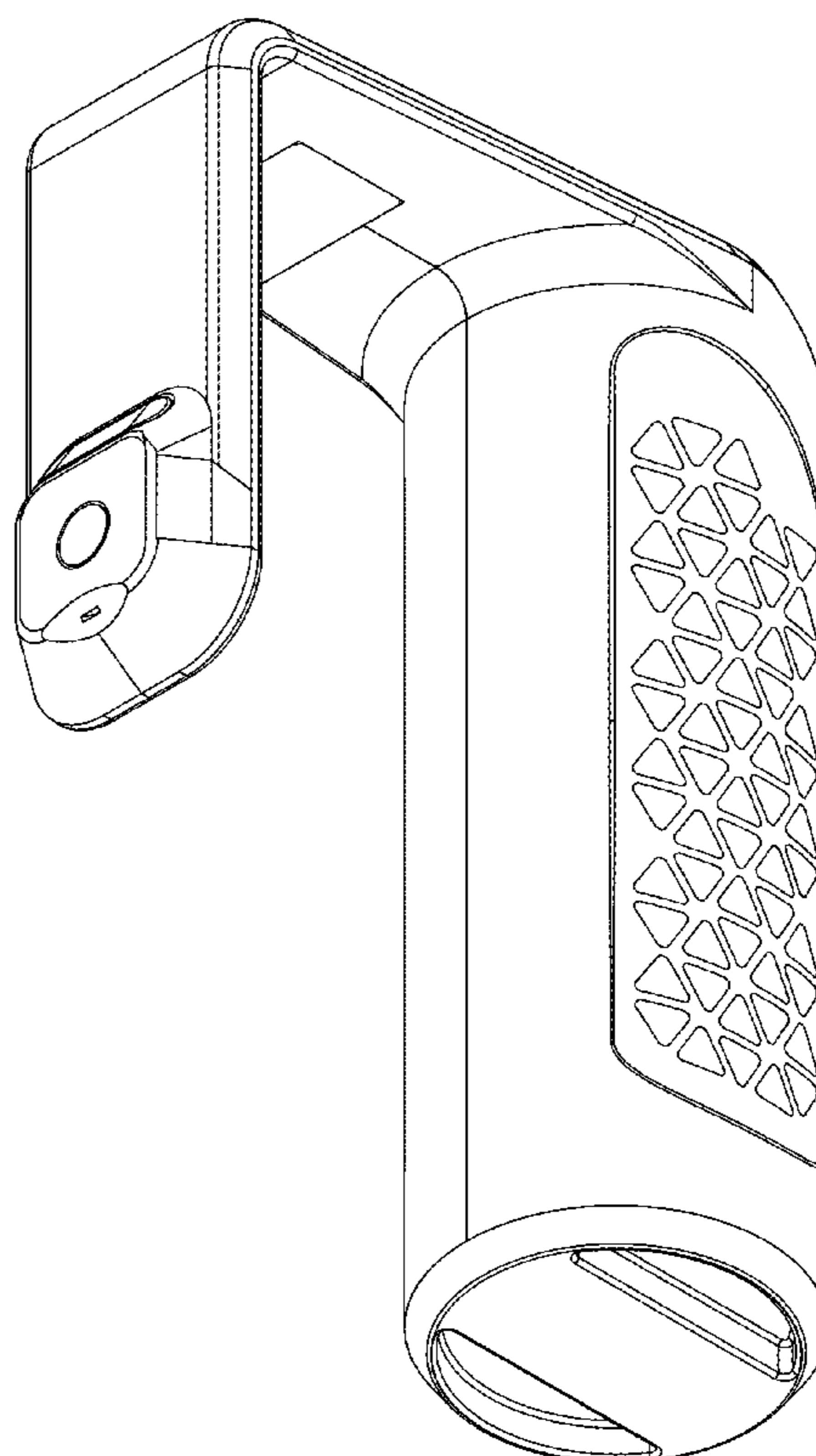
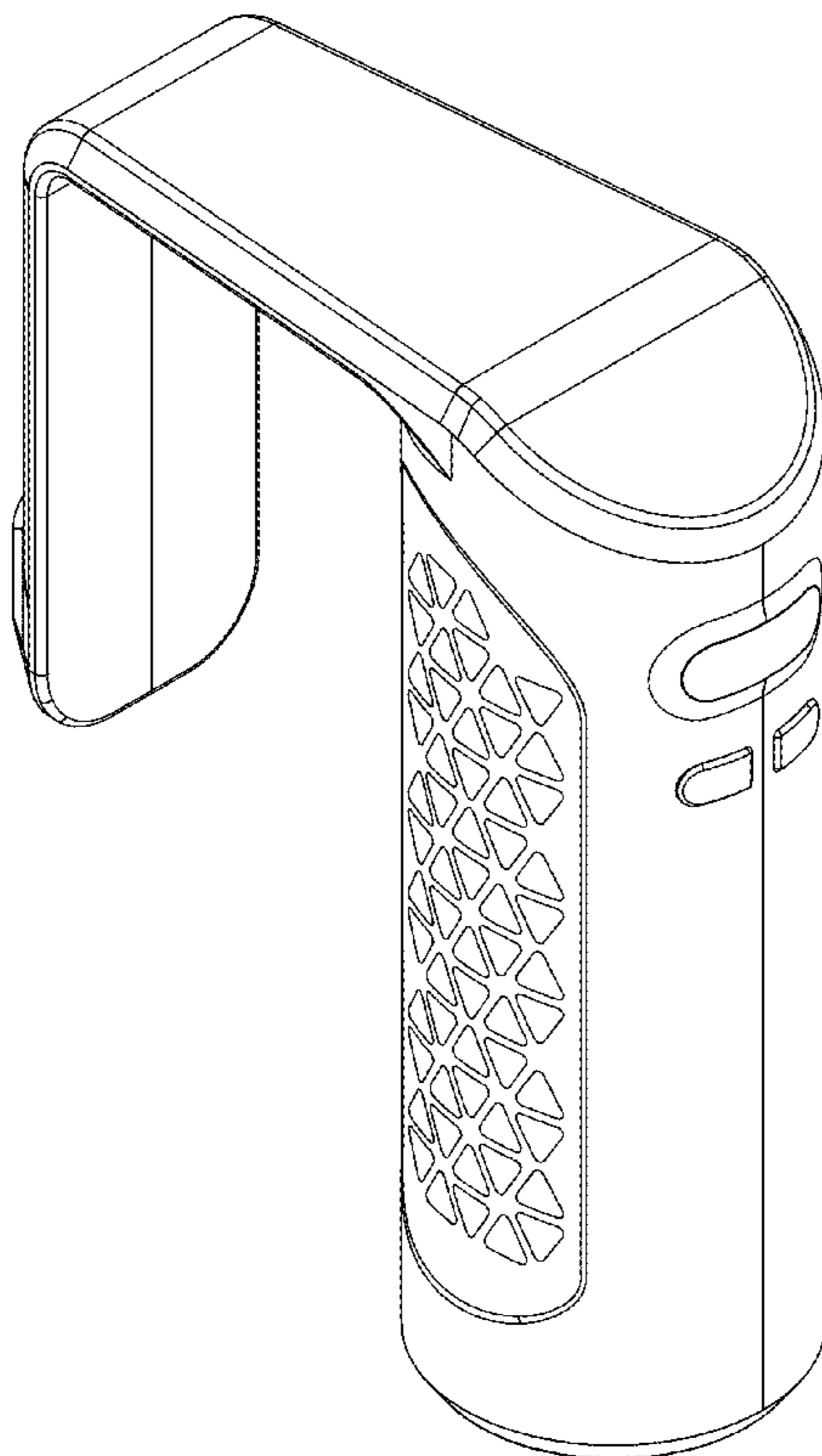


FIG. 1

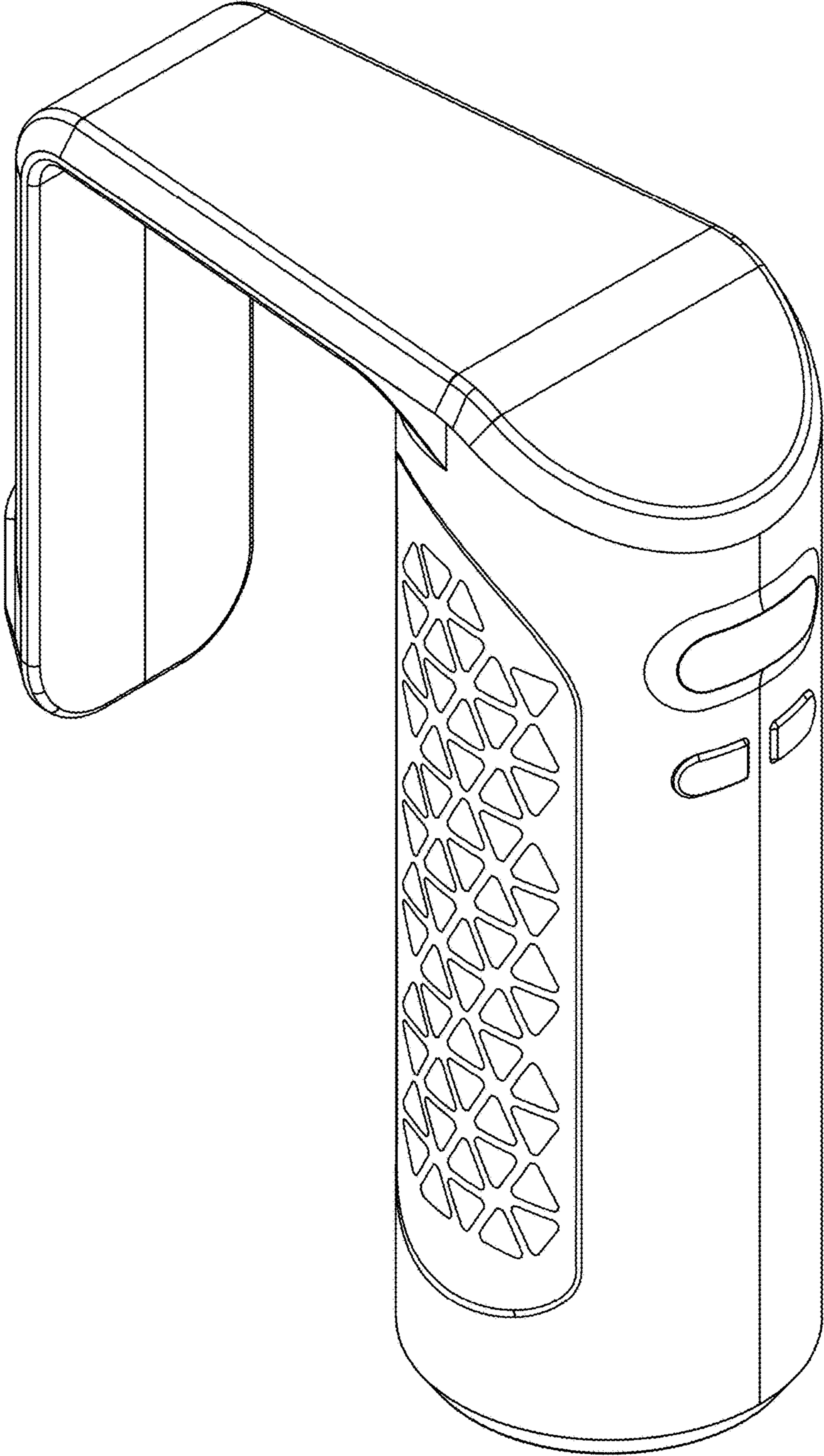


FIG. 2

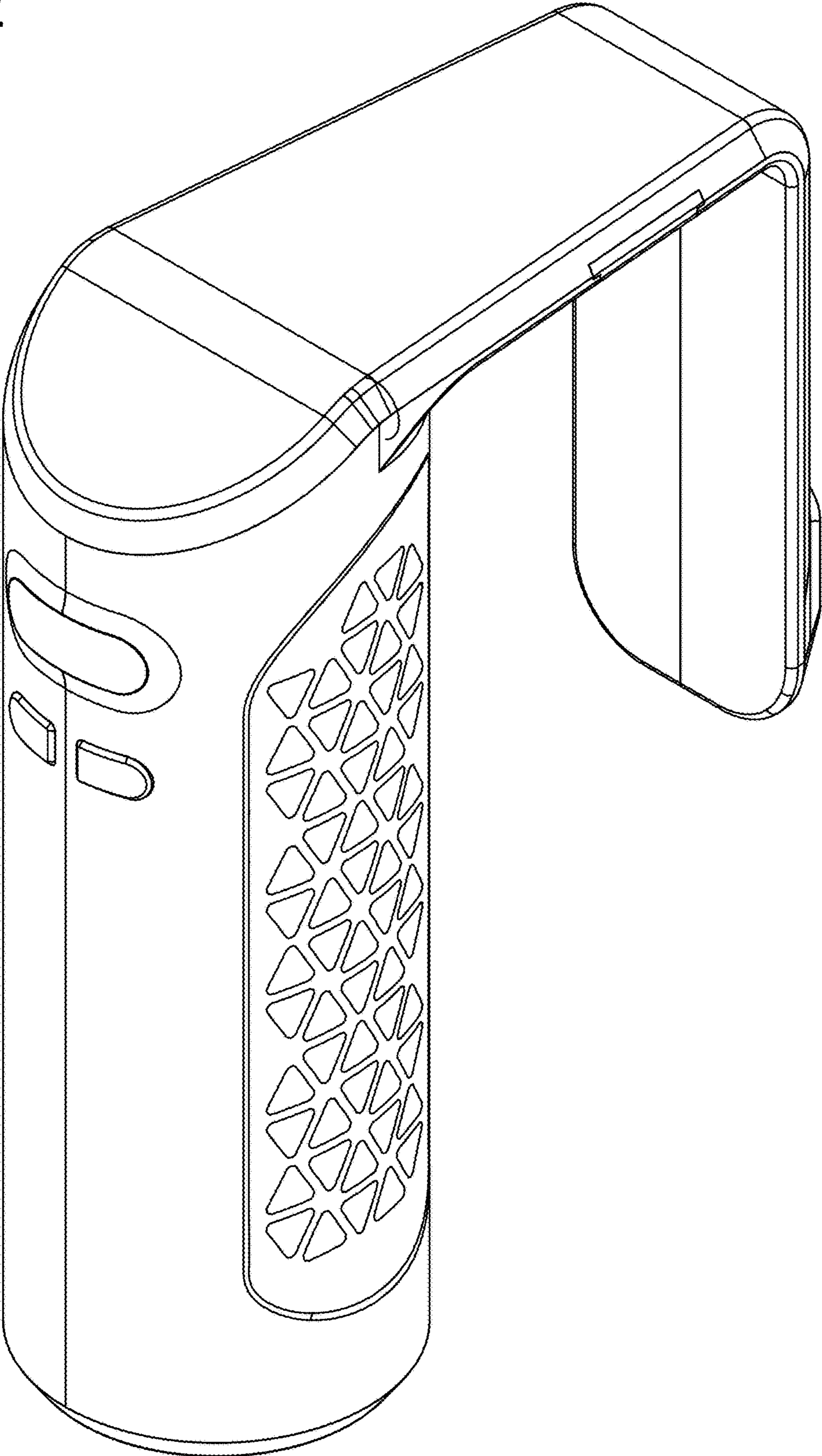


FIG. 3

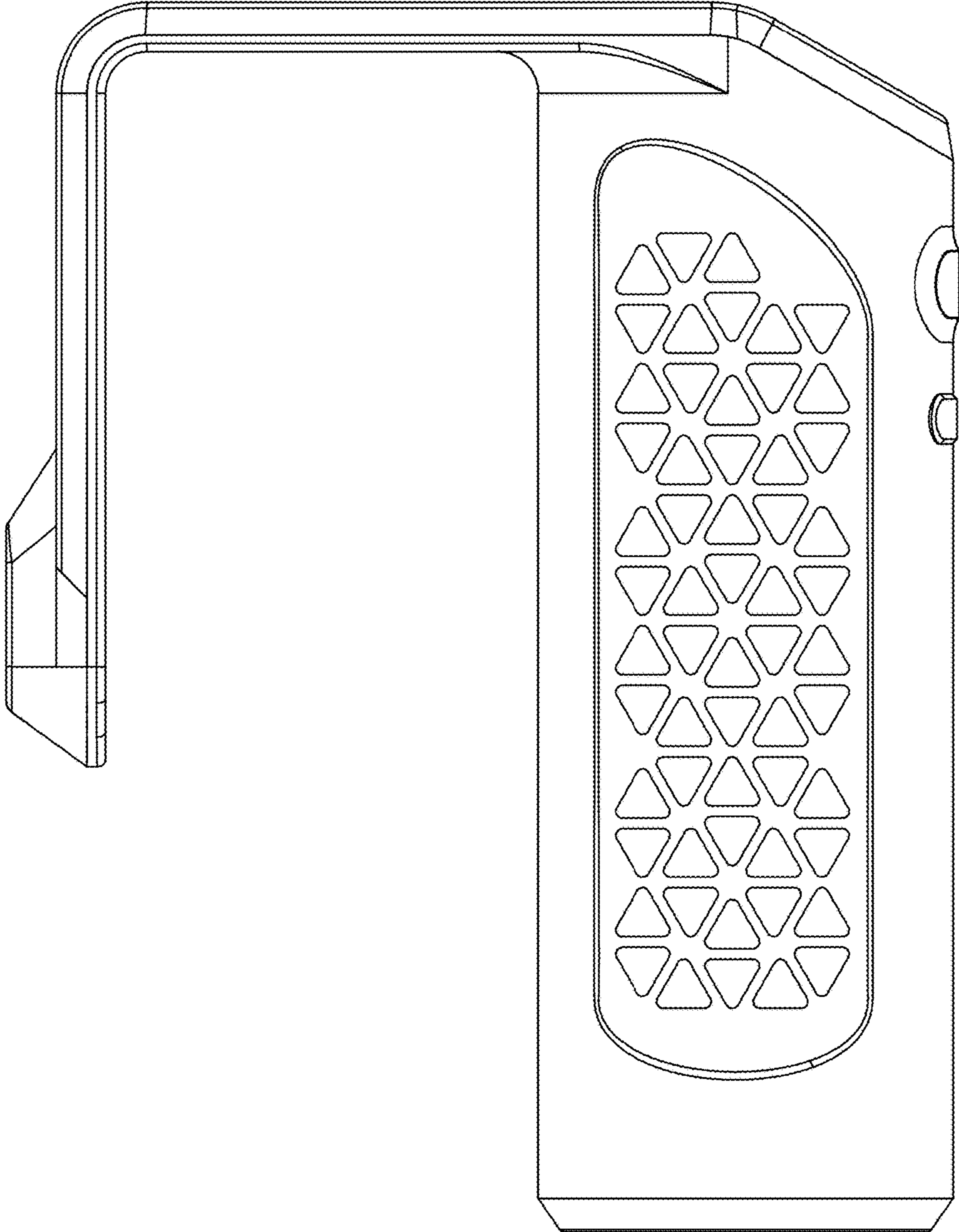


FIG. 4

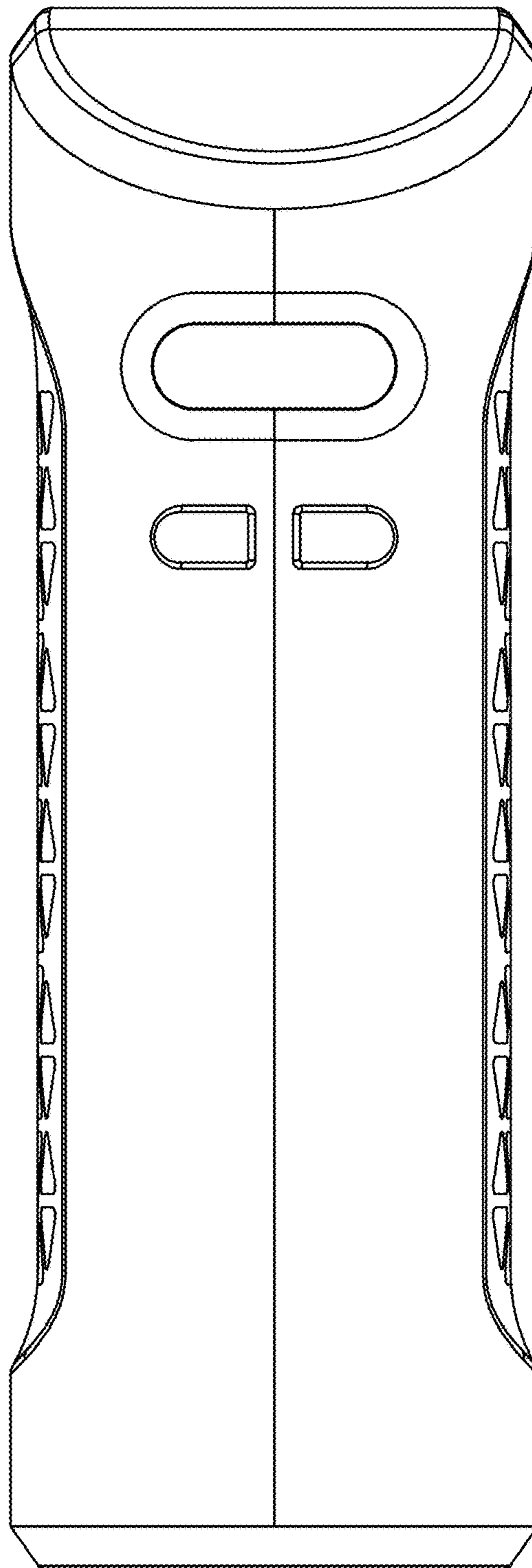


FIG. 5

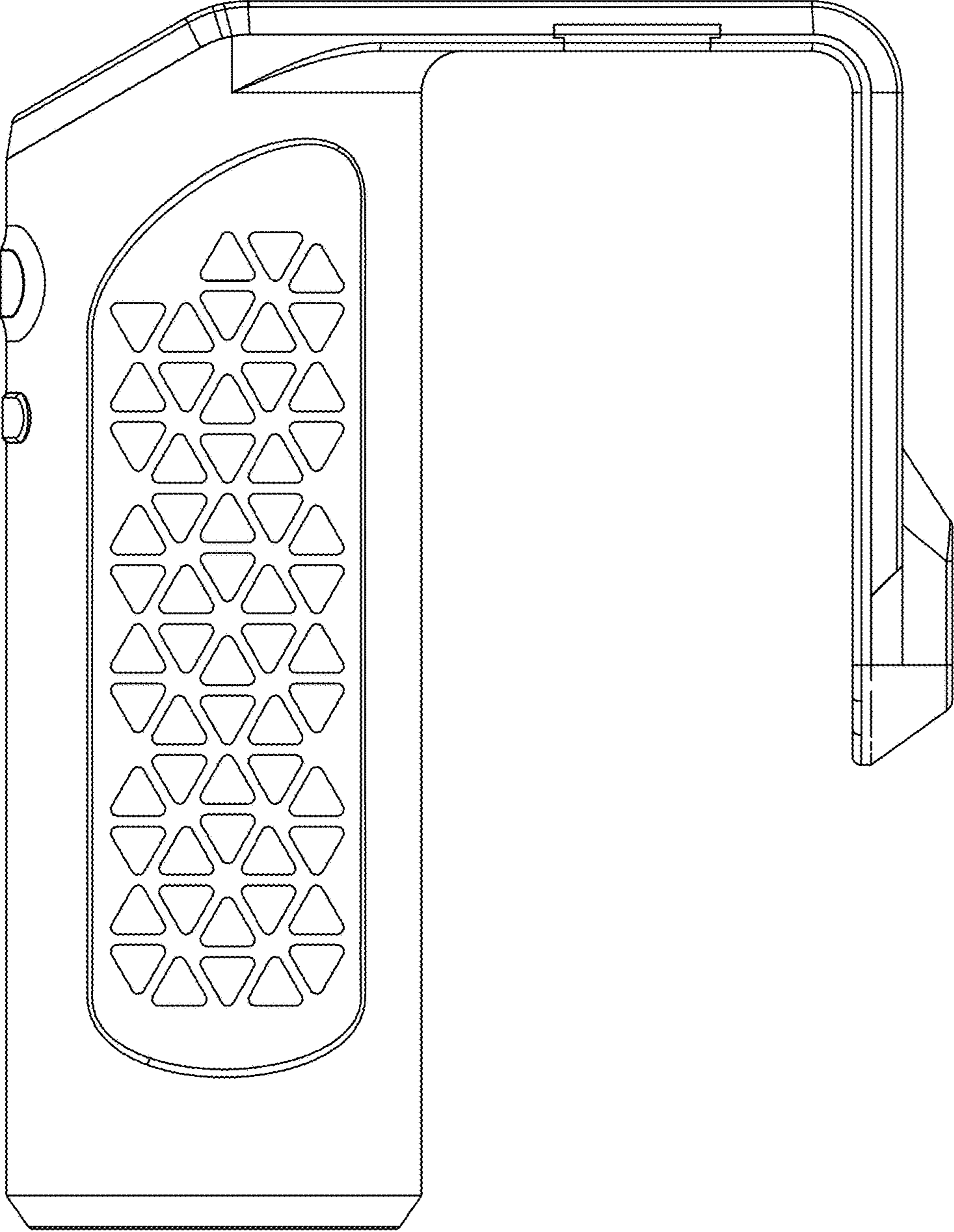


FIG. 6

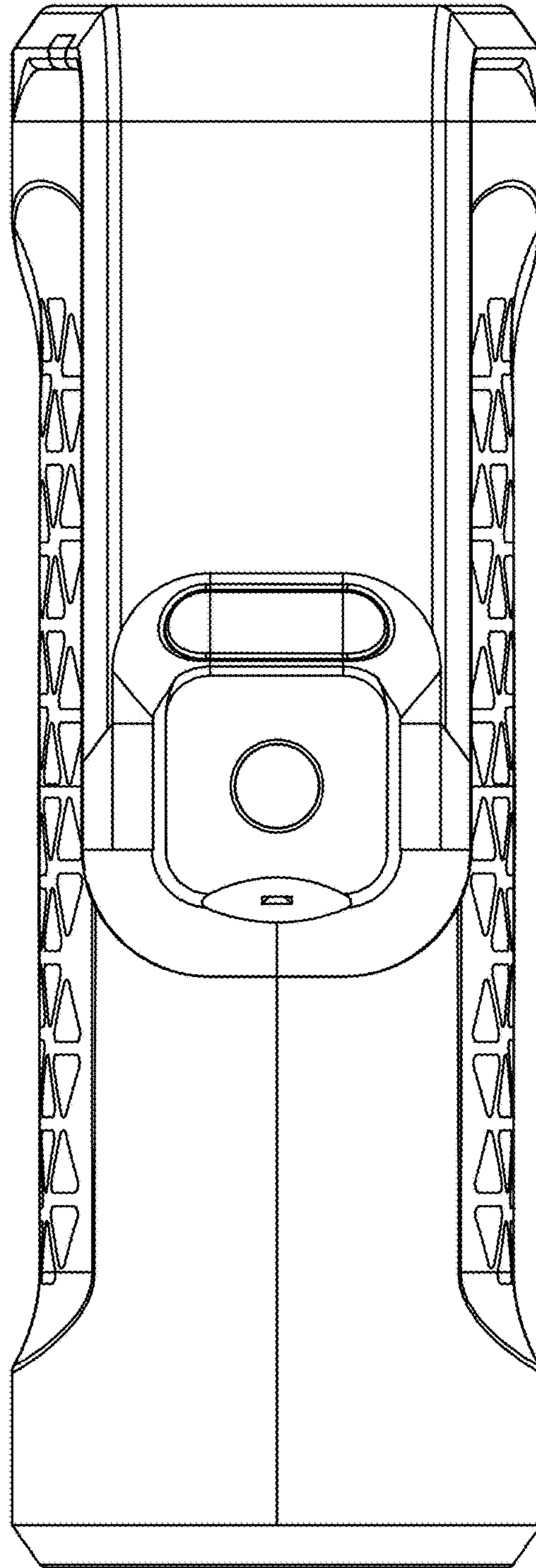


FIG. 7

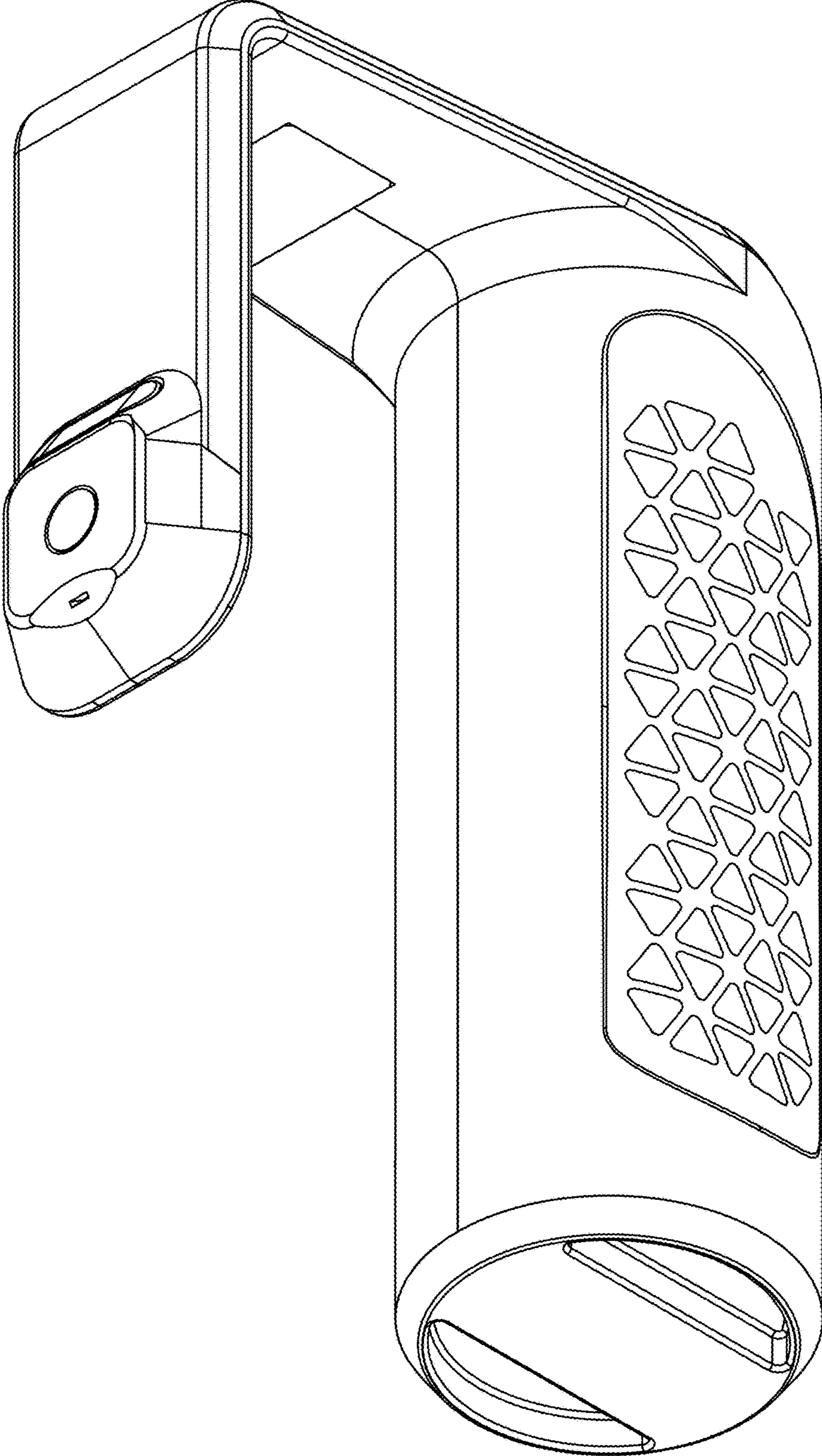


FIG. 8

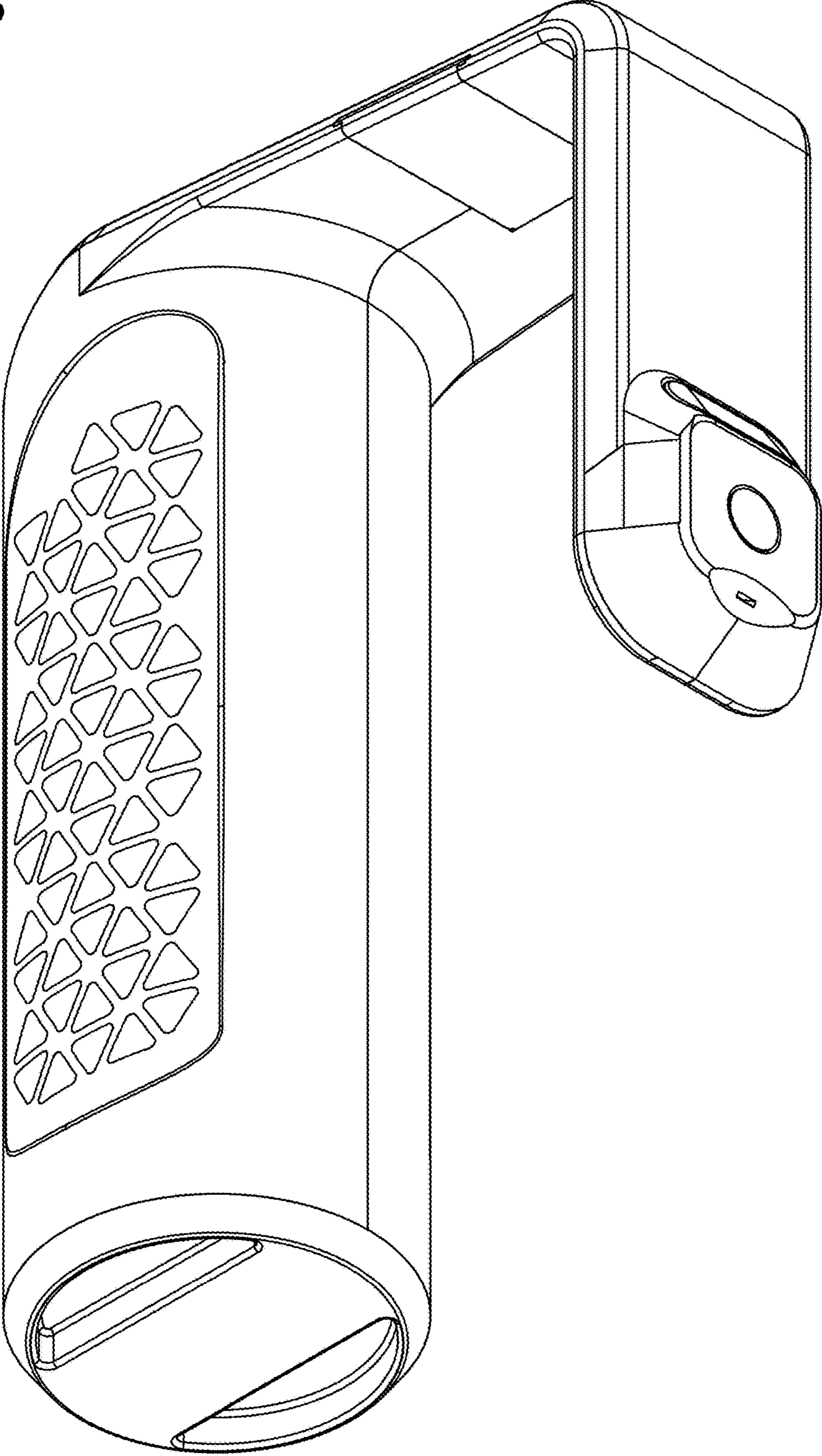


FIG. 9

