



US00D823425S

(12) **United States Design Patent**
Wang

(10) **Patent No.:** **US D823,425 S**

(45) **Date of Patent:** **** Jul. 17, 2018**

(54) **MOLE REPELLER**

(71) Applicant: **Anyi Wang**, Norwalk, CA (US)

(72) Inventor: **Anyi Wang**, Norwalk, CA (US)

(**) Term: **15 Years**

(21) Appl. No.: **29/604,641**

(22) Filed: **May 18, 2017**

(51) **LOC (11) Cl.** **22-06**

(52) **U.S. Cl.**
USPC **D22/120**

(58) **Field of Classification Search**
USPC D22/119–124; 43/112–114, 120–121,
43/124, 131, 132.1; 340/573.2; 367/139;
116/22 A; 119/719
CPC A01K 15/023; A01M 29/16; A01M 29/18
See application file for complete search history.

(56) **References Cited**

U.S. PATENT DOCUMENTS

- 5,205,066 A * 4/1993 Jan A01M 29/16
116/22 A
- 6,134,827 A * 10/2000 Jan A01M 29/16
43/124
- 6,157,594 A * 12/2000 Jan A01M 29/16
116/22 A
- D583,900 S * 12/2008 Krause D22/120
- D585,956 S * 2/2009 Mezger D22/120
- D590,909 S * 4/2009 Fembleaux D22/120
- 7,598,879 B2 * 10/2009 Weiser A01M 29/16
340/573.2

- 7,782,711 B2 * 8/2010 Fembleaux A01M 29/16
367/139
- D645,114 S * 9/2011 Krause D22/120
- 8,281,747 B1 * 10/2012 Few A01K 15/023
119/719
- D697,164 S * 1/2014 Jan D22/120

OTHER PUBLICATIONS

Lomerey Pack Sonic Mole Repellent Solar Powered Gopher Repellent Ultrasonic Vole Deterrent Mole Spike Rodent Chaser Repellent for Lawn Garden Outdoor Pest Control Products Get Rid of Moles in Yard. Earliest review date Sep. 27, 2017.*

* cited by examiner

Primary Examiner — Catherine R Oliver-Garcia
(74) *Attorney, Agent, or Firm* — Che-Yang Chen; Law Offices of Scott Warmuth

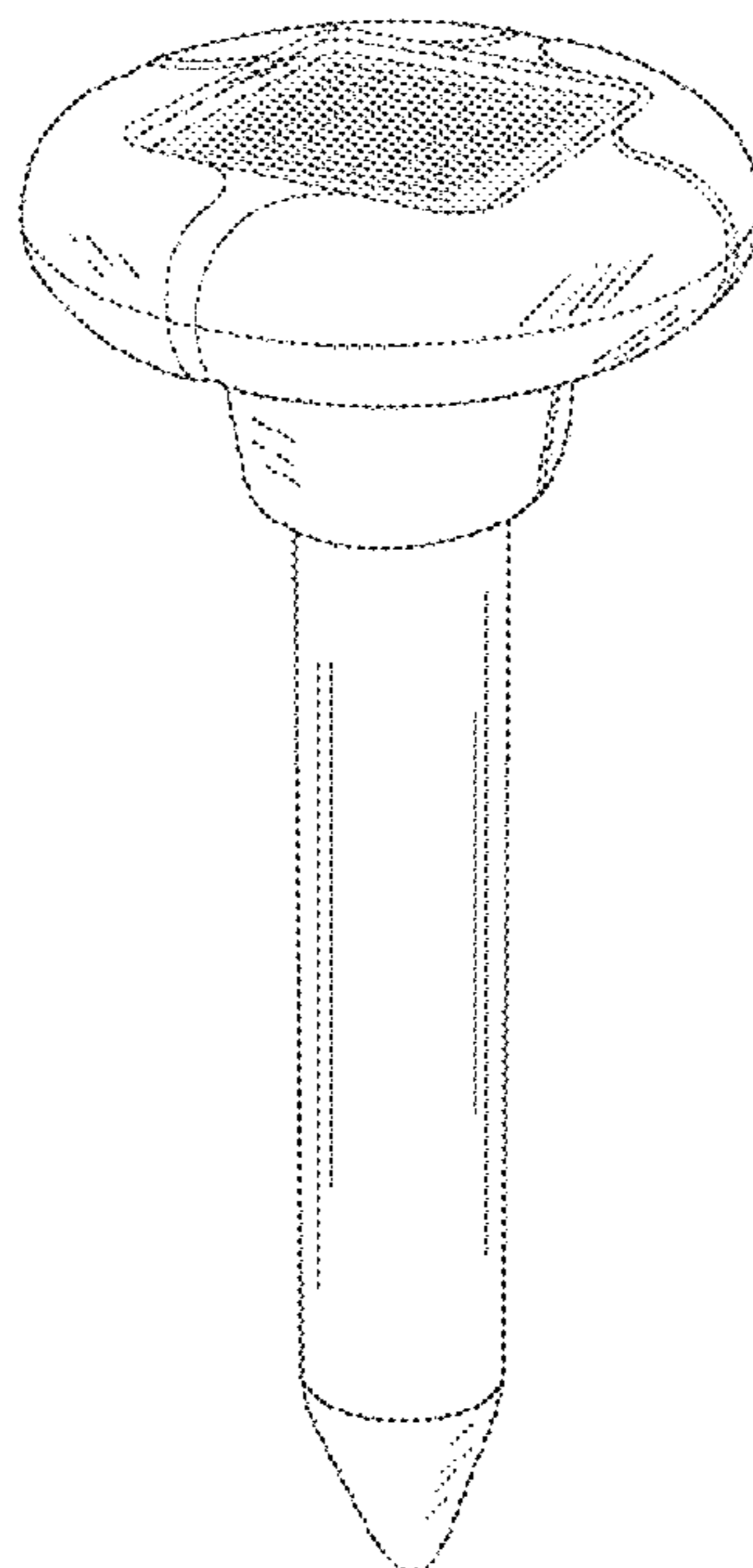
(57) **CLAIM**

The ornamental design for a mole repeller, as shown and described.

DESCRIPTION

FIG. 1 is a perspective view of the mole repeller showing my new design;
FIG. 2 is a front elevational view, with the rear elevational view being a mirror image thereof;
FIG. 3 is a left side elevational view, with the right side elevational view being a mirror image thereof;
FIG. 4 is a top plan view thereof; and,
FIG. 5 is a bottom plan view thereof.

1 Claim, 4 Drawing Sheets



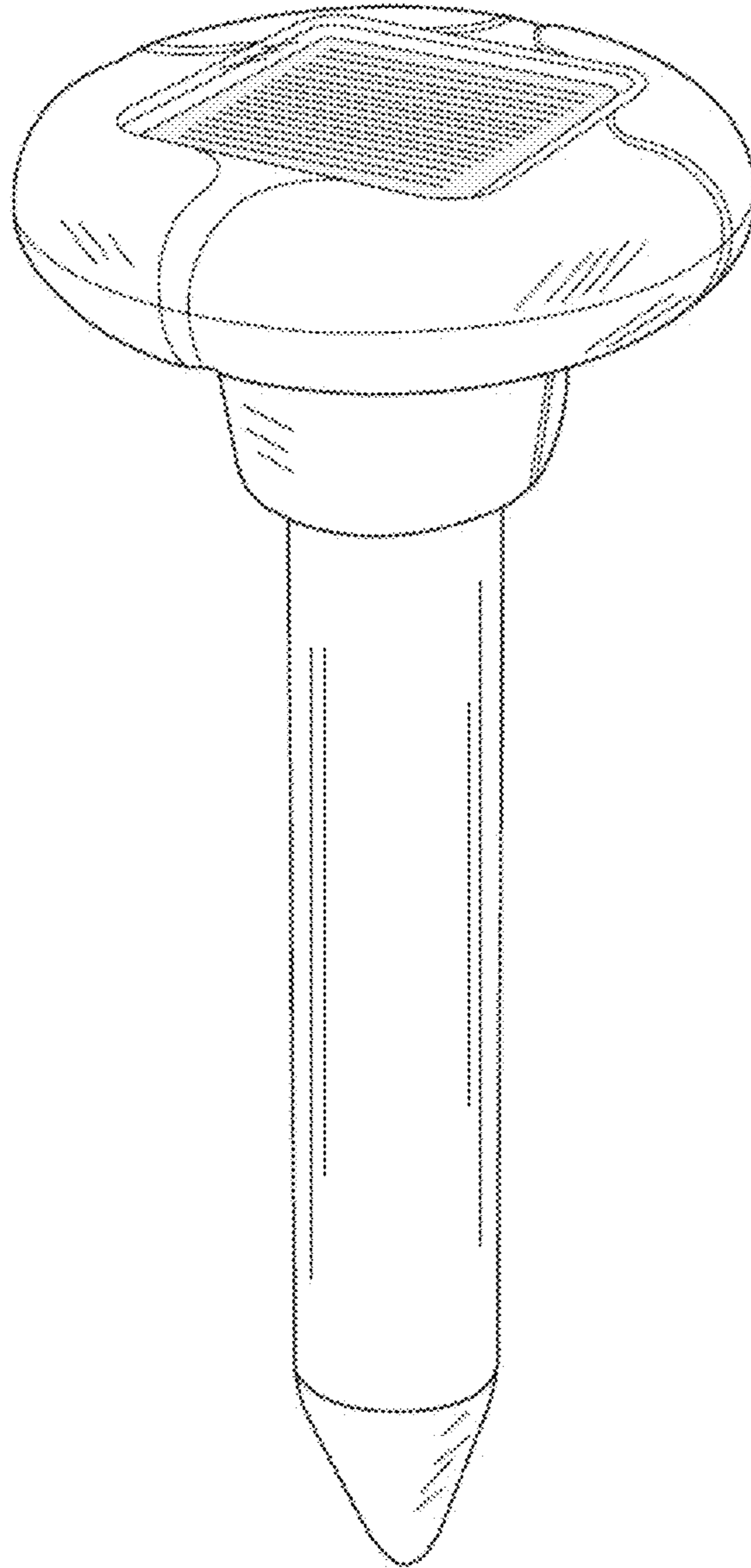


FIG. 1

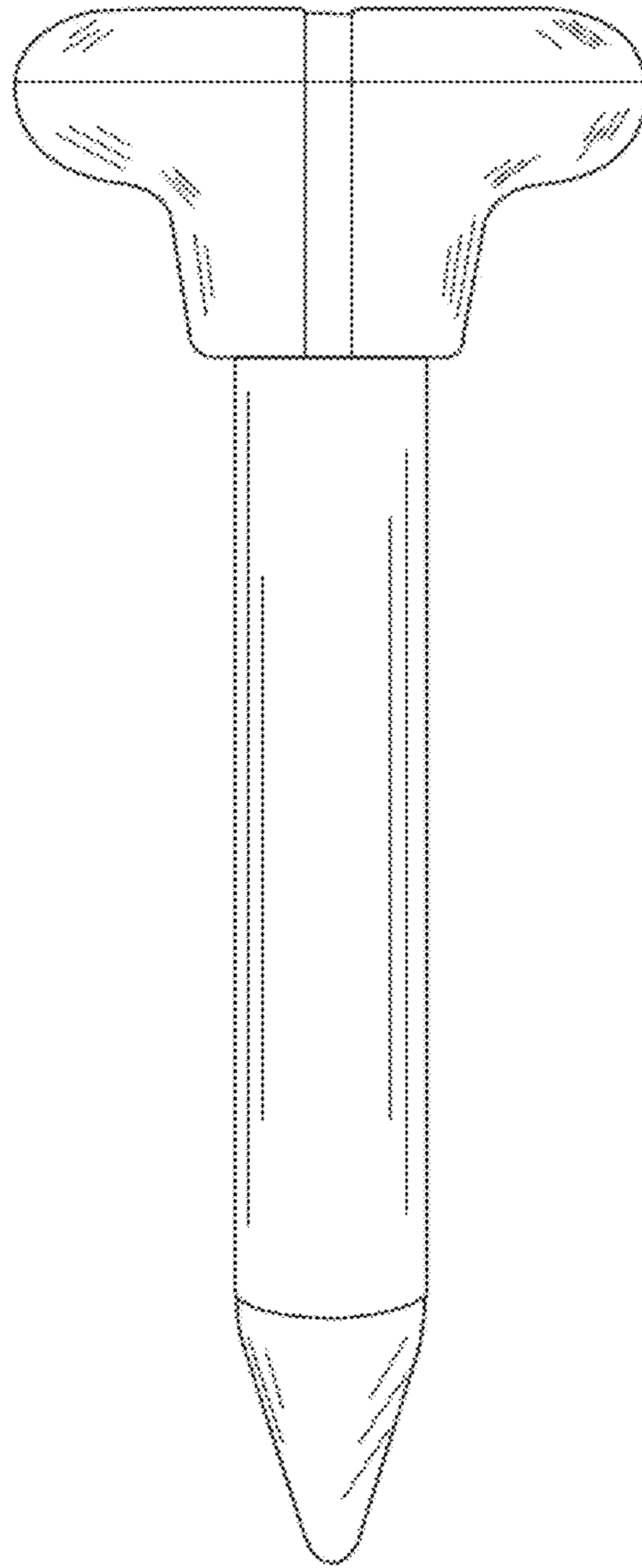


FIG. 2

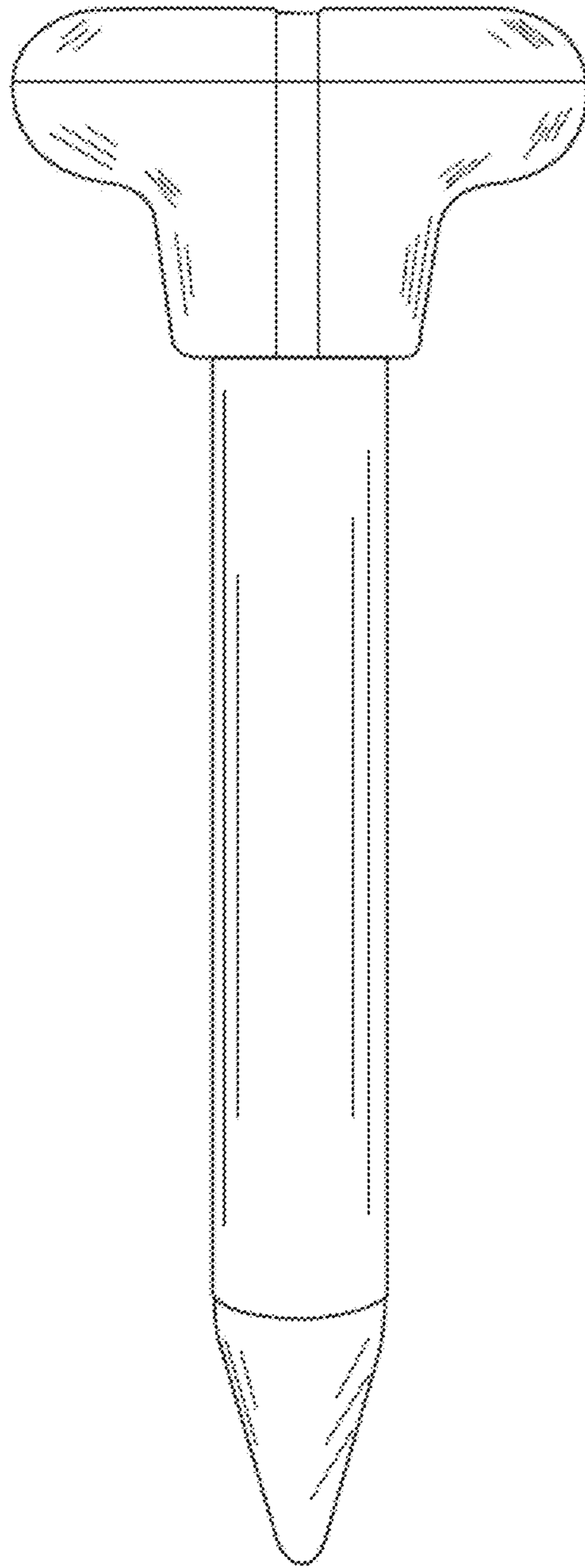


FIG. 3

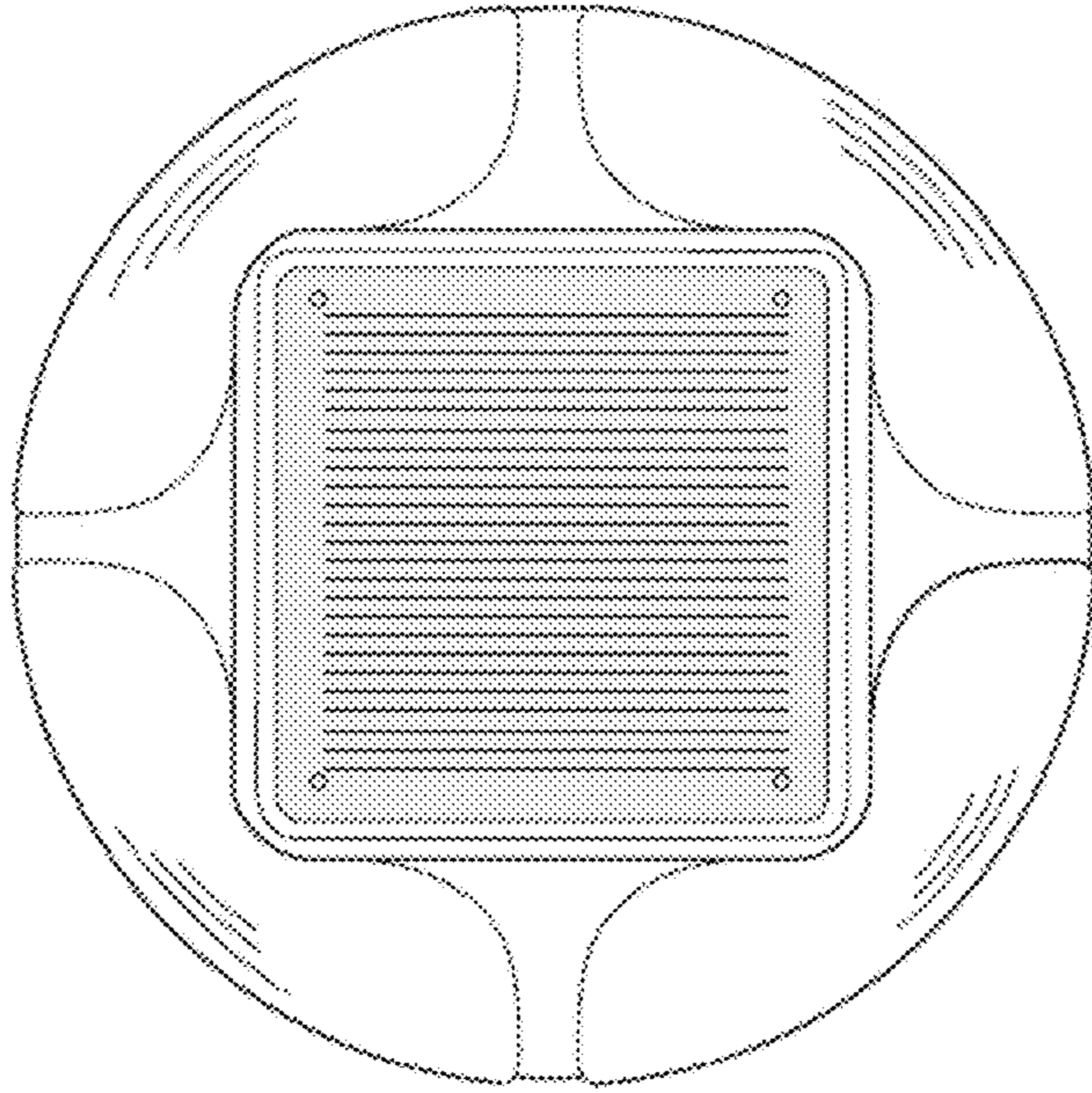


FIG. 4

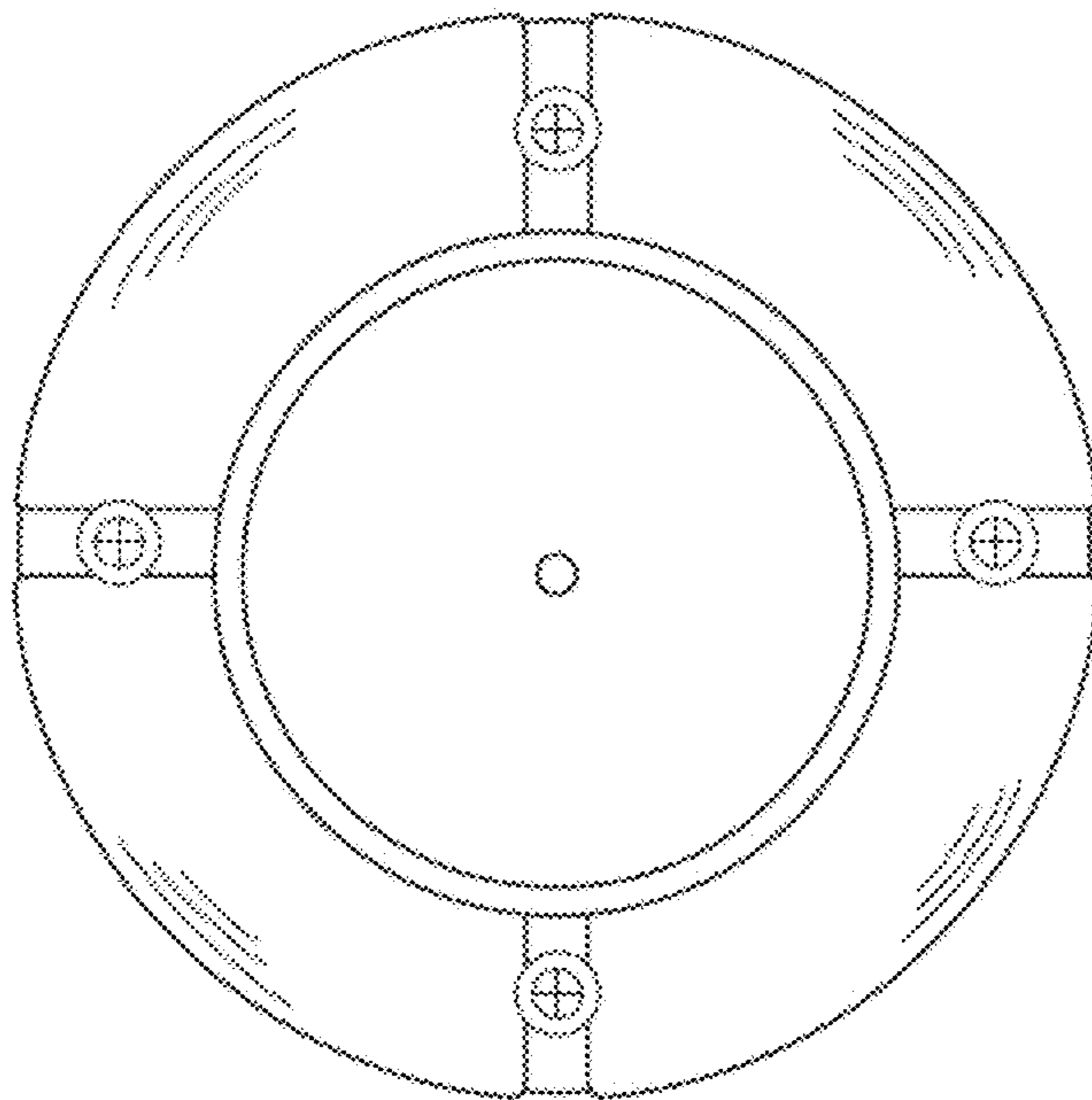


FIG. 5