

US00D823424S

(12) **United States Design Patent**
Wang

(10) **Patent No.:** **US D823,424 S**
(45) **Date of Patent:** **** Jul. 17, 2018**

- (54) **MOLE REPELLER**
- (71) Applicant: **Anyi Wang**, Norwalk, CA (US)
- (72) Inventor: **Anyi Wang**, Norwalk, CA (US)
- (**) Term: **15 Years**
- (21) Appl. No.: **29/604,635**
- (22) Filed: **May 18, 2017**
- (51) **LOC (11) Cl.** **22-06**
- (52) **U.S. Cl.**
USPC **D22/120**
- (58) **Field of Classification Search**
USPC D22/119-124; 43/112-114, 120-121,
43/124, 131, 132.1; 340/573.2; 367/139;
116/22 A; 119/719, 117
CPC A01K 15/023; A01M 29/16; A01M 29/18
See application file for complete search history.

7,782,711 B2 * 8/2010 Fembleaux A01M 29/16
367/139
D645,114 S * 9/2011 Krause D22/120
8,281,747 B1 * 10/2012 Few A01K 15/023
119/719
D697,164 S * 1/2014 Jan D22/120

OTHER PUBLICATIONS

Ebay. com, Apello 4 Pack Solar Mole Repeller Mole Repellent Humane Pest Repeller Control, Earliest Review date: Aug. 4, 2017.*

* cited by examiner

Primary Examiner — Catherine R Oliver-Garcia
(74) *Attorney, Agent, or Firm* — Che-Yang Chen; Law Offices of Scott Warmuth

(57) **CLAIM**

The ornamental design for a mole repeller, as shown and described.

(56) **References Cited**

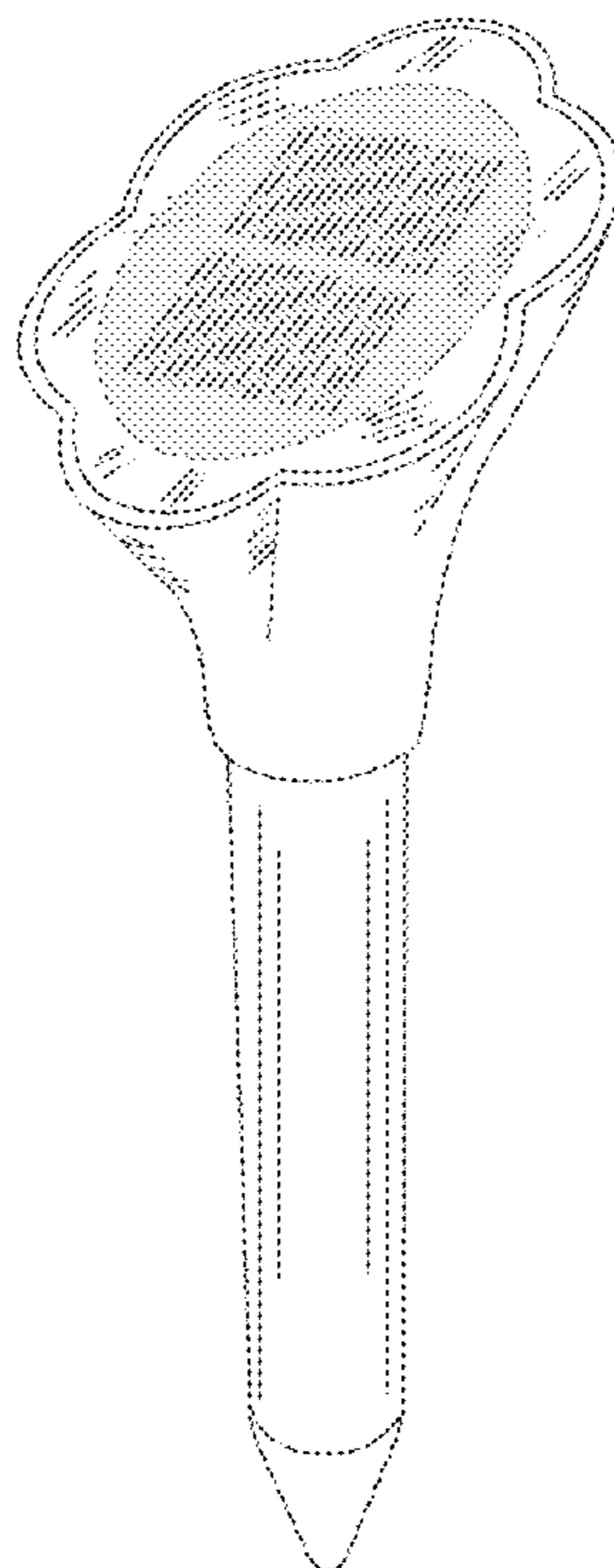
U.S. PATENT DOCUMENTS

- 5,205,066 A * 4/1993 Jan A01M 29/16
116/22 A
- 6,134,827 A * 10/2000 Jan A01M 29/16
43/124
- 6,157,594 A * 12/2000 Jan A01M 29/16
116/22 A
- D583,900 S * 12/2008 Krause D22/120
- D585,956 S * 2/2009 Mezger D22/120
- D590,909 S * 4/2009 Fembleaux D22/120
- 7,598,879 B2 * 10/2009 Weiser A01M 29/16
340/573.2

DESCRIPTION

FIG. 1 is a perspective view of the mole repeller showing my new design;
FIG. 2 is a front elevational view thereof;
FIG. 3 is a rear elevation view thereof;
FIG. 4 is a left side elevational view thereof;
FIG. 5 is a right side elevational view thereof;
FIG. 6 is a top plan view thereof; and,
FIG. 7 is a bottom plan view thereof.

1 Claim, 6 Drawing Sheets



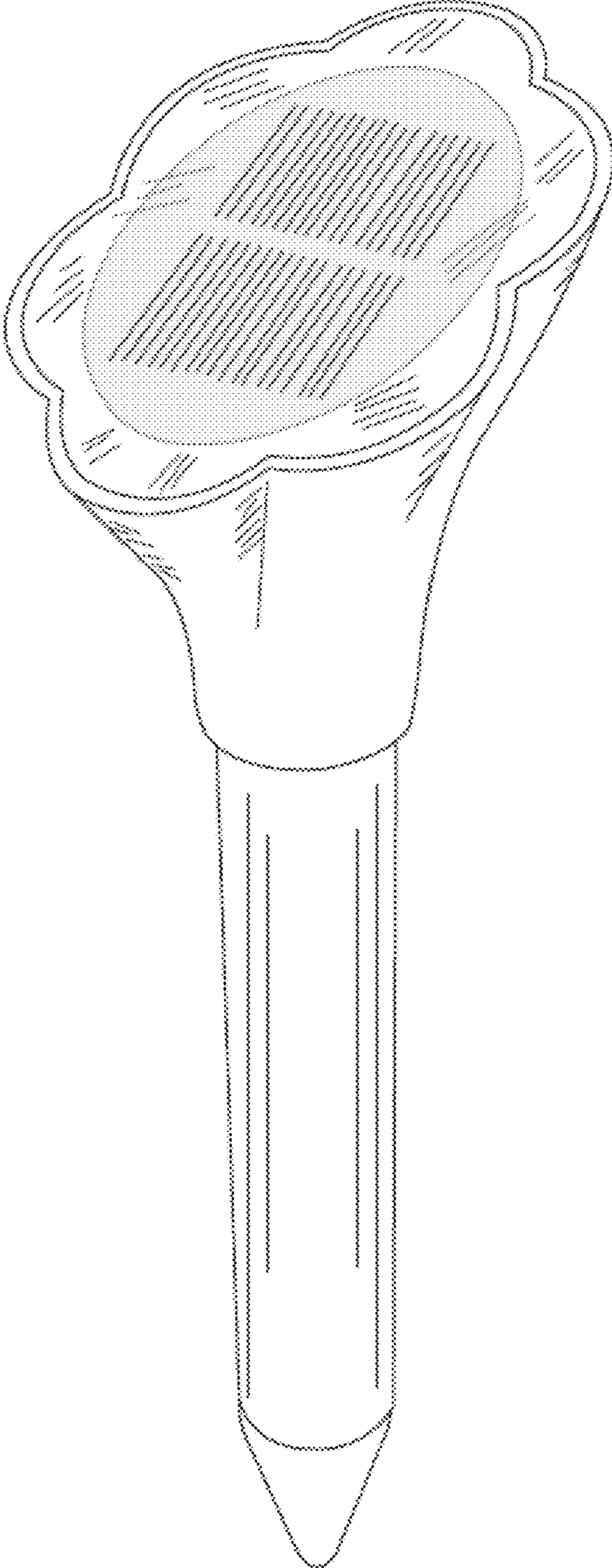


FIG. 1

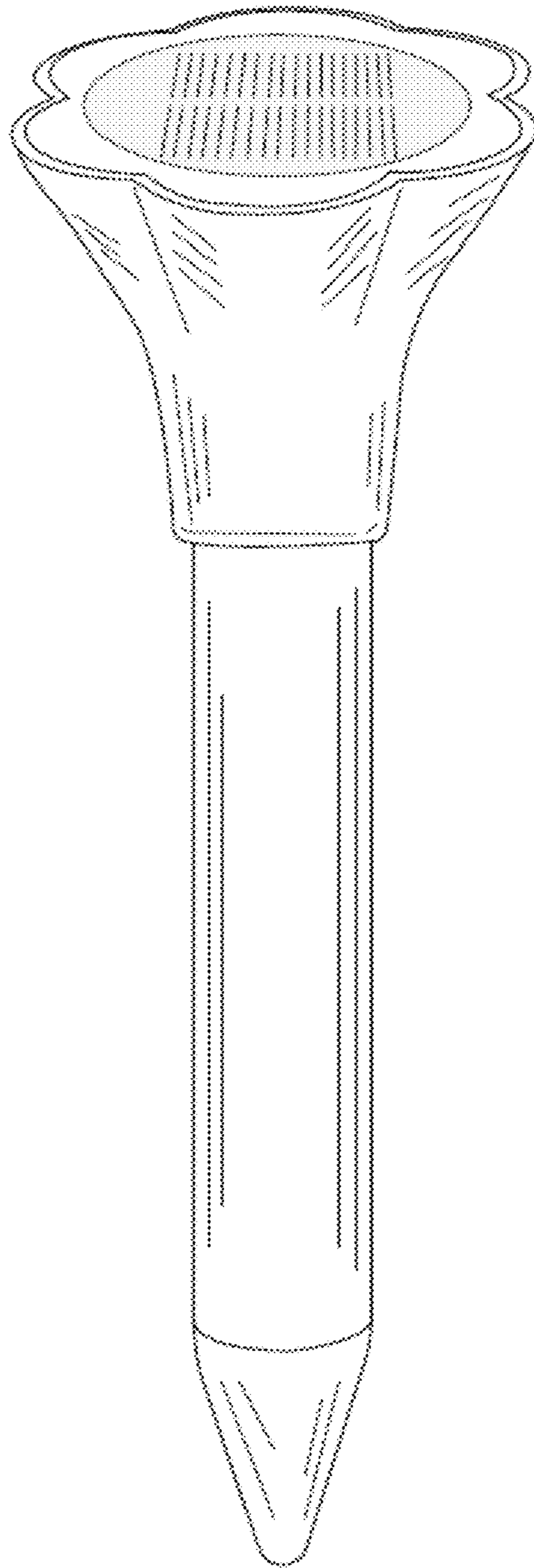


FIG. 2

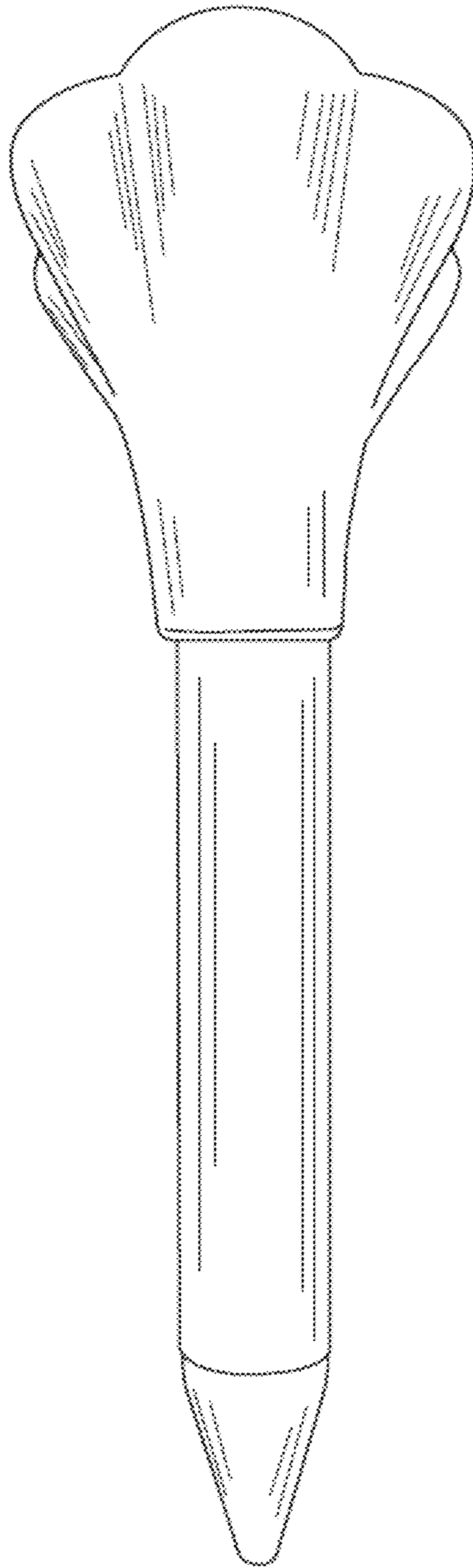


FIG. 3

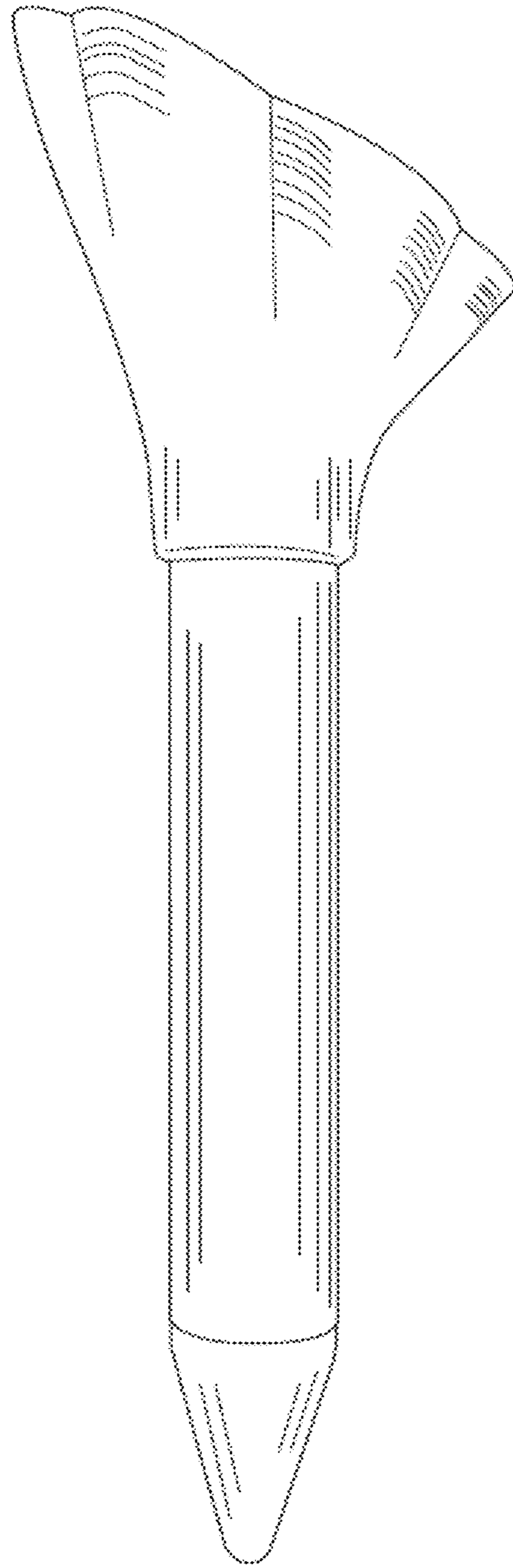


FIG. 4

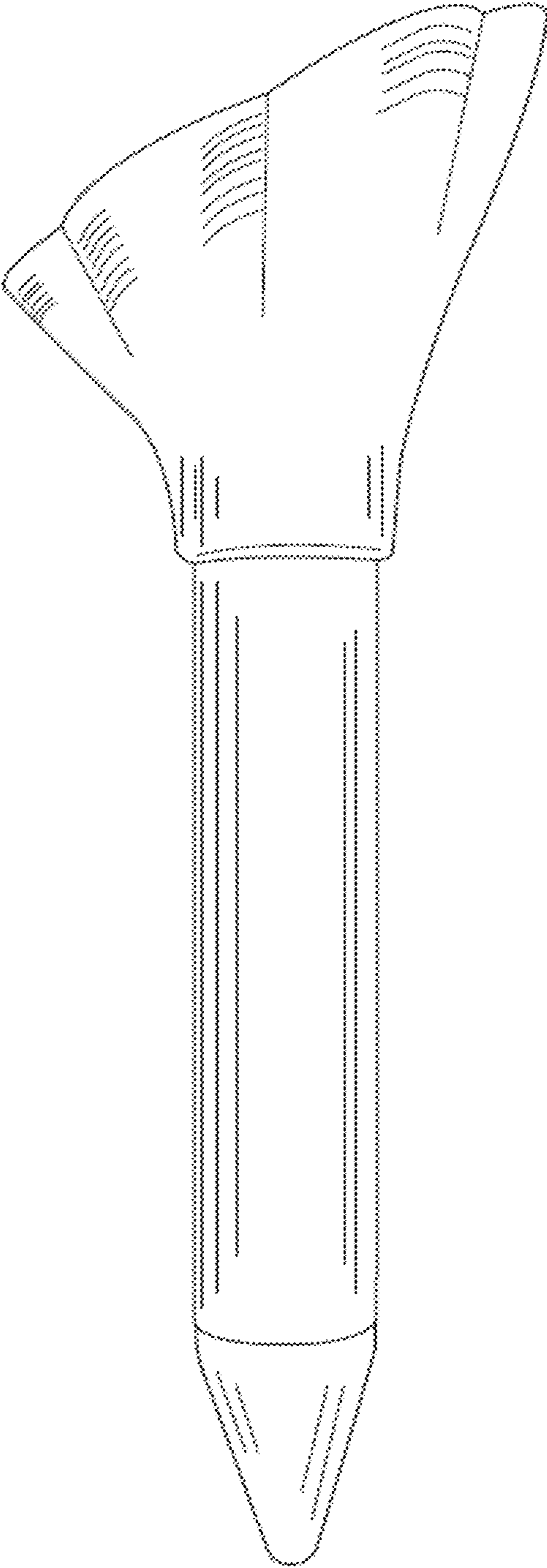


FIG. 5

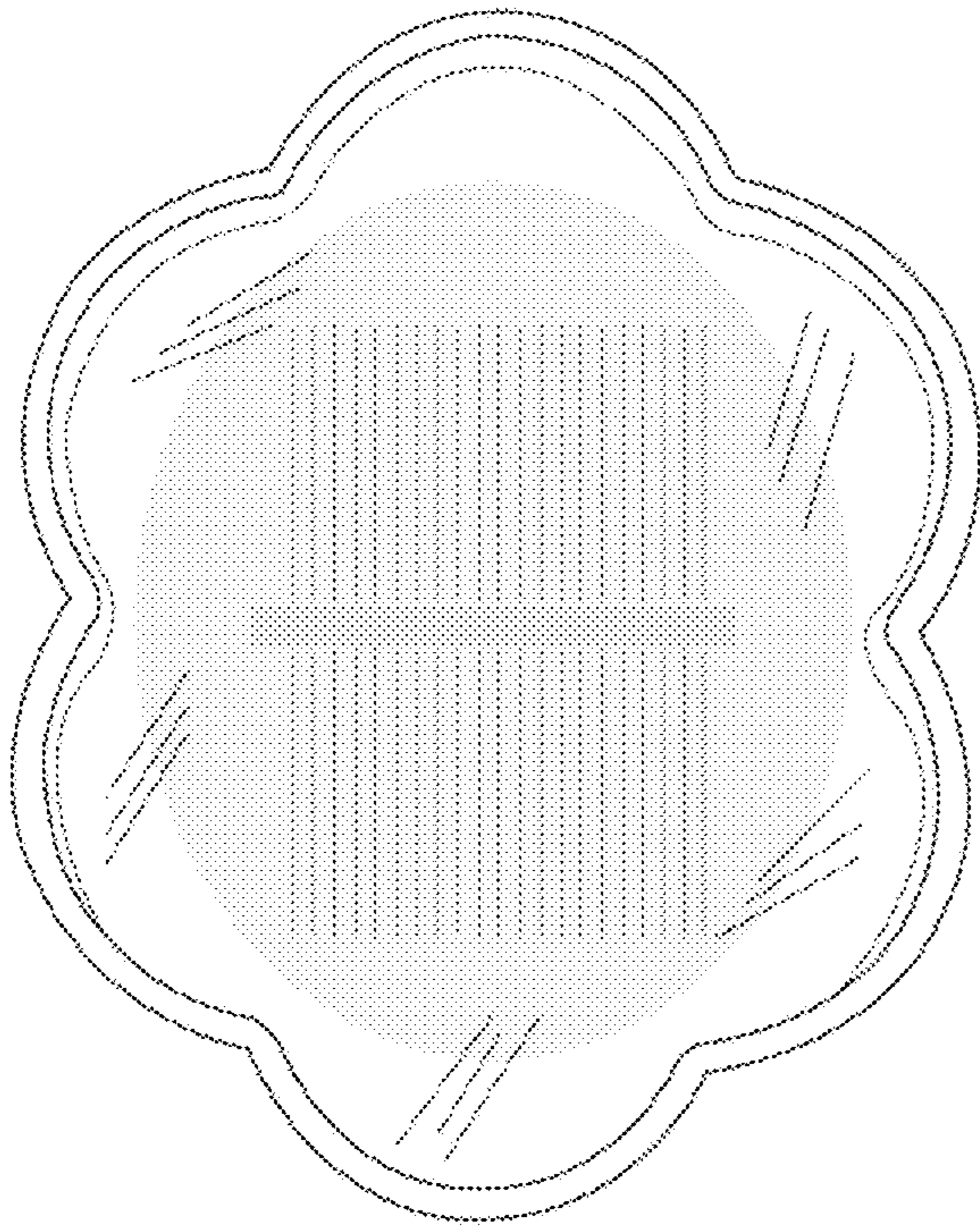


FIG. 6

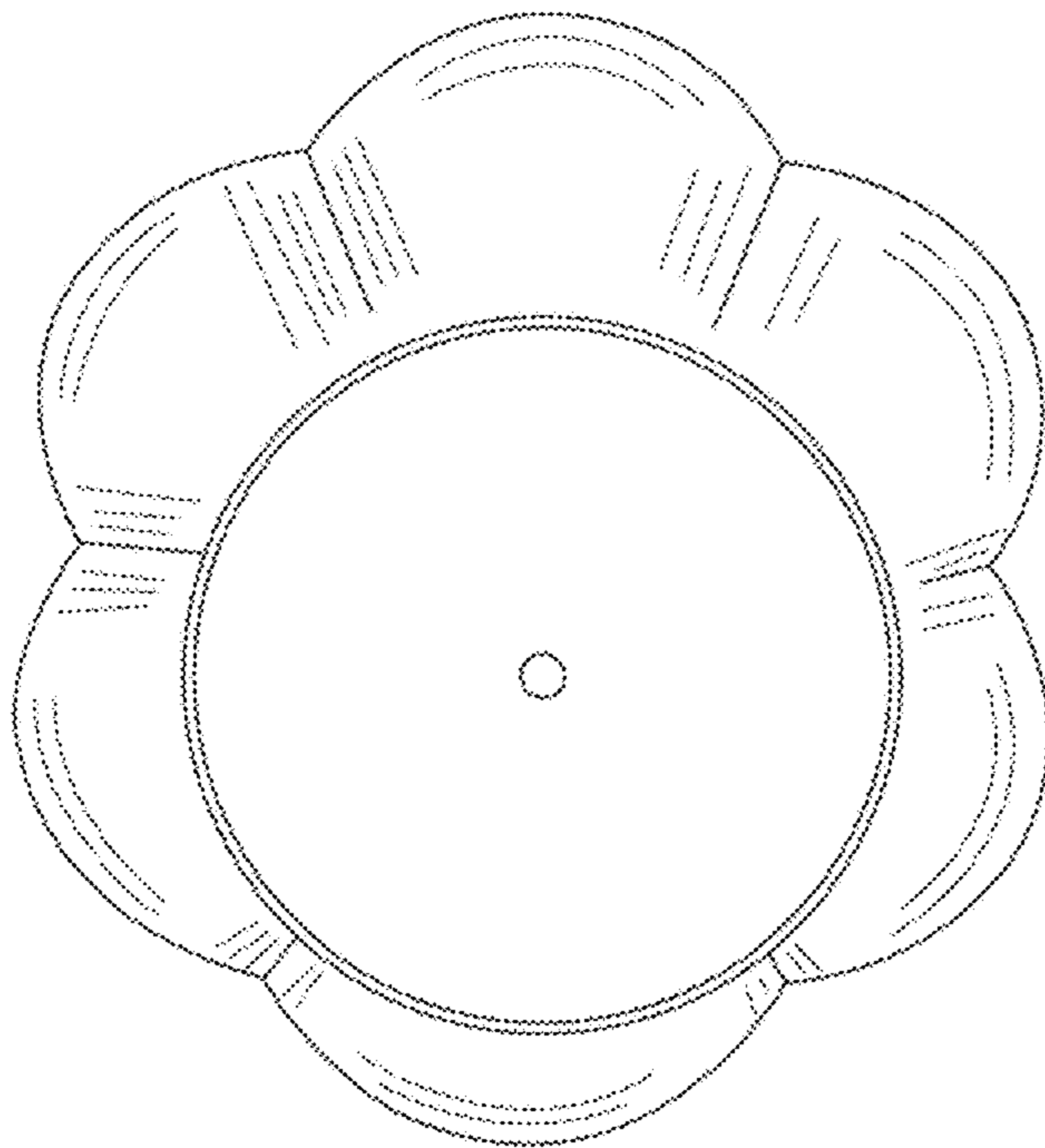


FIG. 7