



US00D823422S

(12) **United States Design Patent**  
**Anderson**

(10) **Patent No.:** **US D823,422 S**

(45) **Date of Patent:** **\*\* Jul. 17, 2018**

(54) **LASER DEVICE**

(71) Applicant: **Crimson Trace Corporation,**  
Wilsonville, OR (US)

(72) Inventor: **Danny Homem de Mello Anderson,**  
Wilsonville, OR (US)

(73) Assignee: **Crimson Trace Corporation,**  
Wilsonville, OR (US)

(\*\*) Term: **15 Years**

(21) Appl. No.: **29/572,582**

(22) Filed: **Jul. 28, 2016**

(51) **LOC (11) Cl.** ..... **22-01**

(52) **U.S. Cl.**  
USPC ..... **D22/109**

(58) **Field of Classification Search**  
USPC ..... D22/108-109  
CPC . F41G 1/35; F41G 11/003; F41G 1/00; F41G  
1/36; F41G 1/34; F41G 3/26  
See application file for complete search history.

(56) **References Cited**

**U.S. PATENT DOCUMENTS**

D669,553 S	*	10/2012	Hughes	.....	D22/109
D669,958 S	*	10/2012	Essig	.....	D22/108
D674,862 S	*	1/2013	Johnston	.....	D22/109
D687,120 S	*	7/2013	Hughes	.....	D22/109
D692,518 S	*	10/2013	Anderson	.....	D22/108

D693,898 S	*	11/2013	Essig	.....	D22/108
D694,847 S	*	12/2013	Anderson	.....	D22/108
D694,848 S	*	12/2013	Anderson	.....	D22/109
D696,376 S	*	12/2013	Anderson	.....	D22/109
D738,456 S	*	9/2015	Hughes	.....	D22/109
D738,457 S	*	9/2015	Johnston	.....	D22/109
D812,182 S	*	3/2018	Ramasubramanian	.....	D22/109
D812,707 S	*	3/2018	Planck	.....	D22/109

\* cited by examiner

*Primary Examiner* — Michael A. Pratt

(74) *Attorney, Agent, or Firm* — Schwabe, Williamson & Wyatt, P.C.

(57) **CLAIM**

I claim an ornamental design for a laser device, as shown and described.

**DESCRIPTION**

FIG. 1 is a perspective view of a laser device, showing our new design;

FIG. 2 is a front view thereof;

FIG. 3 is a rear view thereof;

FIG. 4 is a right side view thereof;

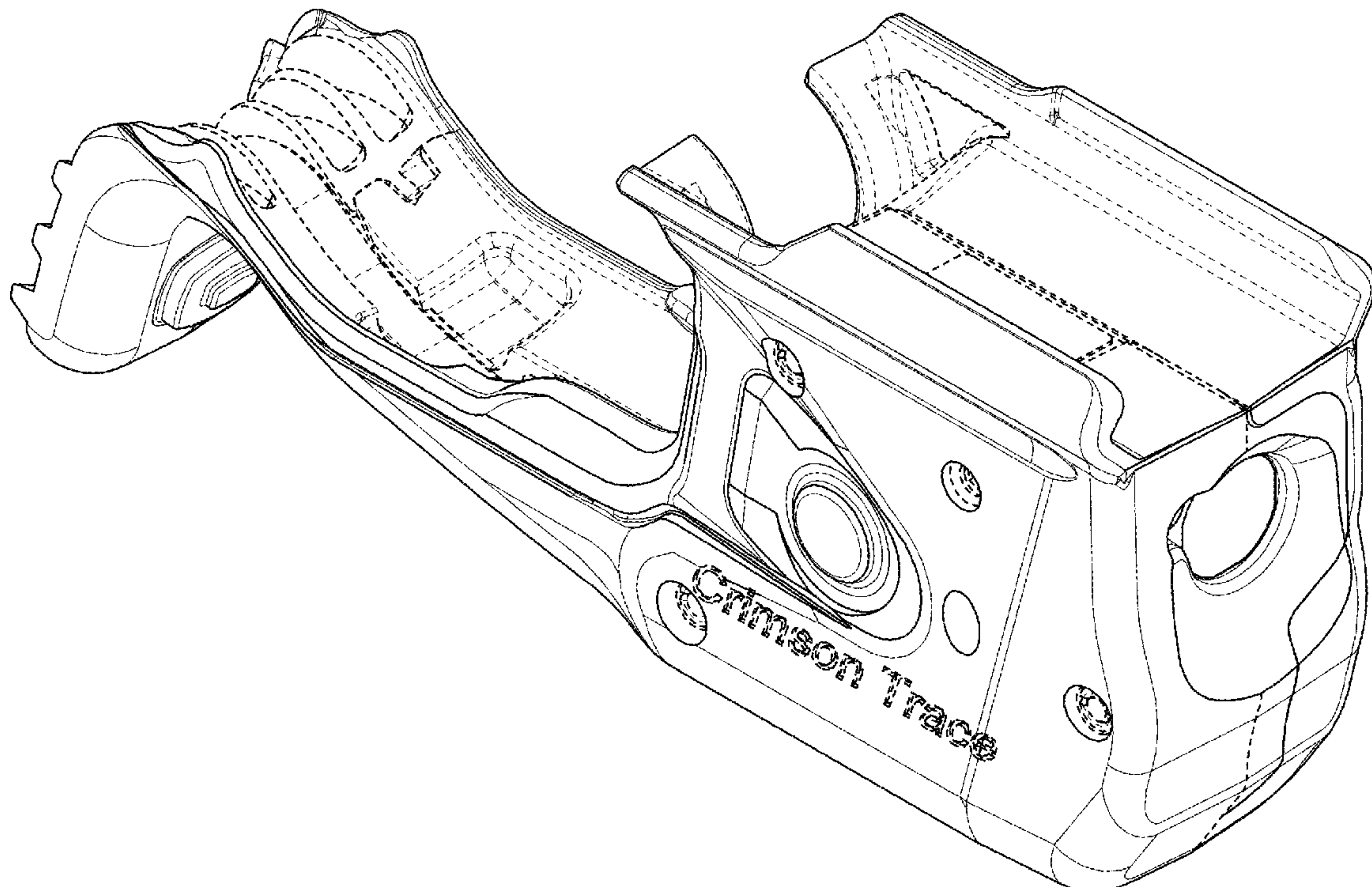
FIG. 5 is a left side view thereof;

FIG. 6 is a top view thereof; and,

FIG. 7 is a bottom view thereof.

The dashed lines are included for illustrating interior and/or environmental structures and form no part of the claimed design.

**1 Claim, 6 Drawing Sheets**



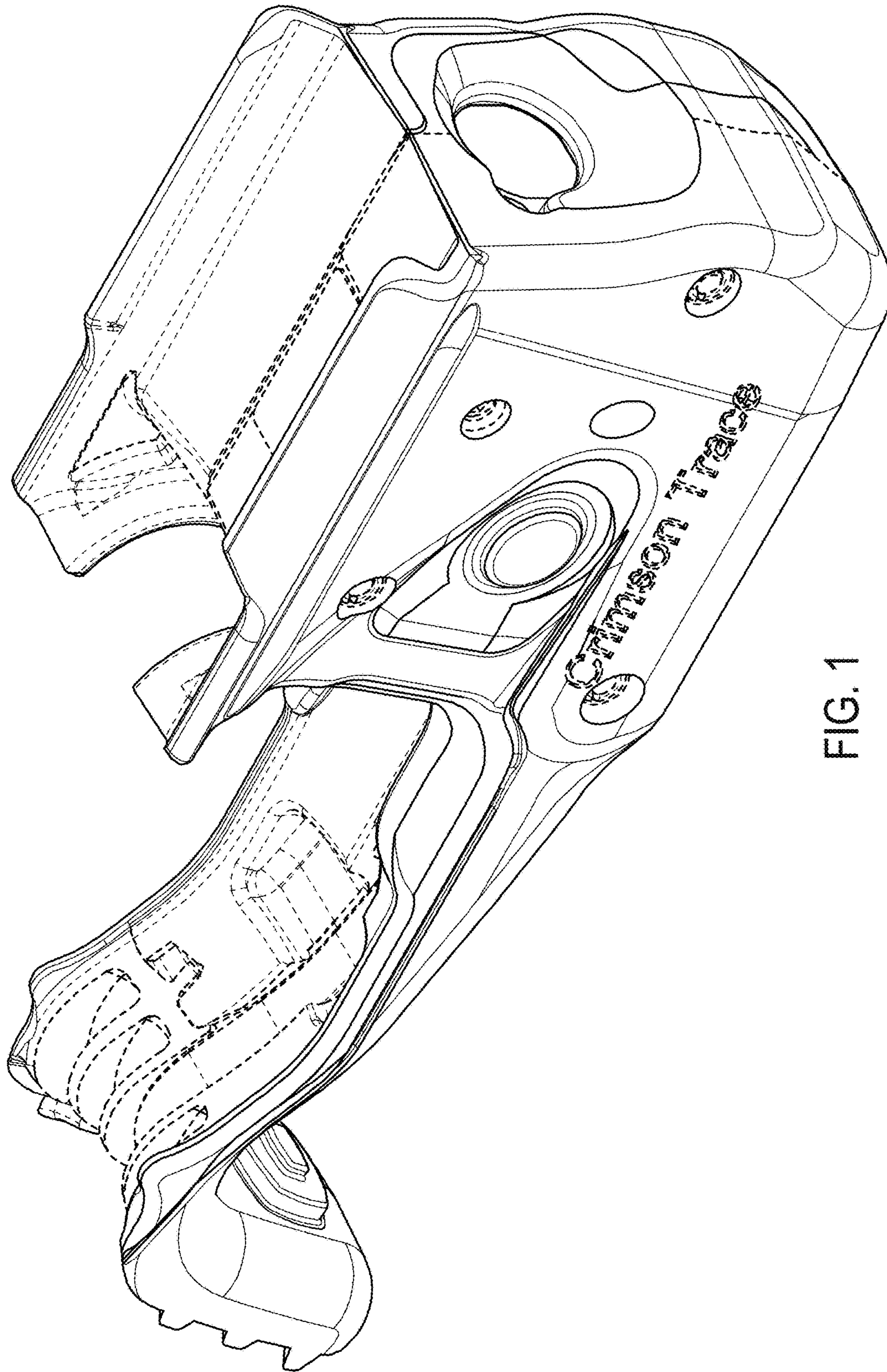


FIG. 1



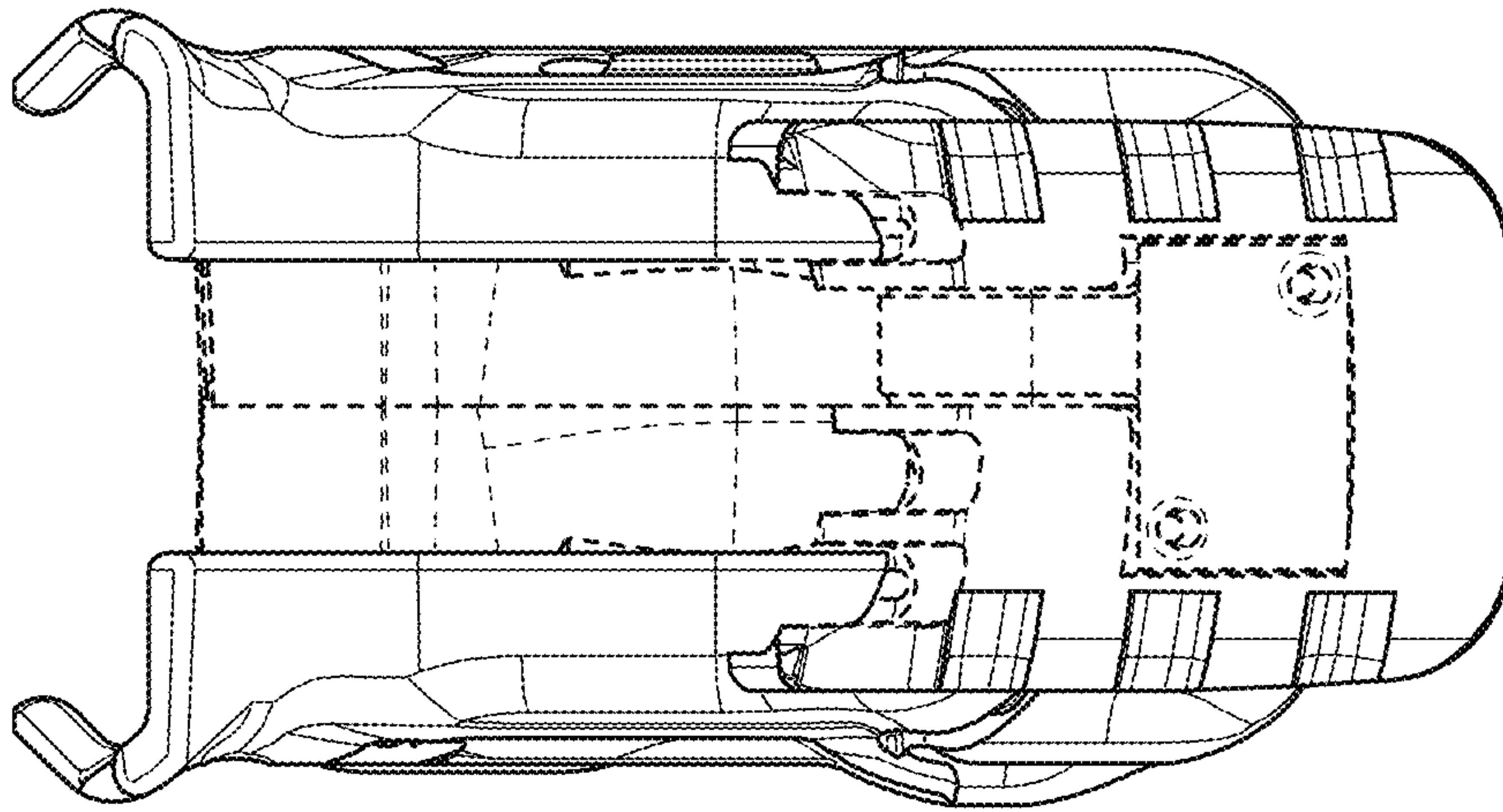


FIG. 2

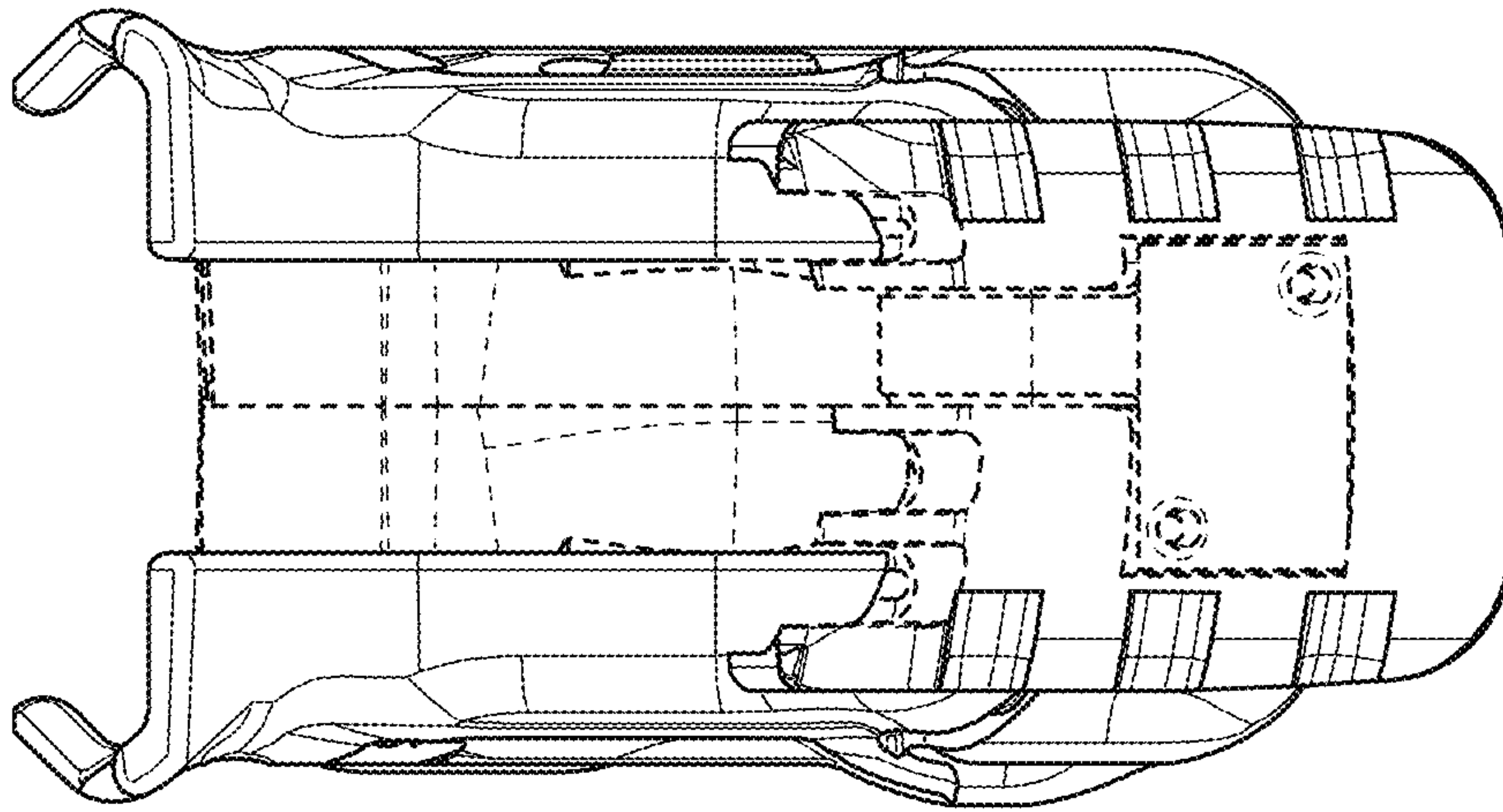


FIG. 3

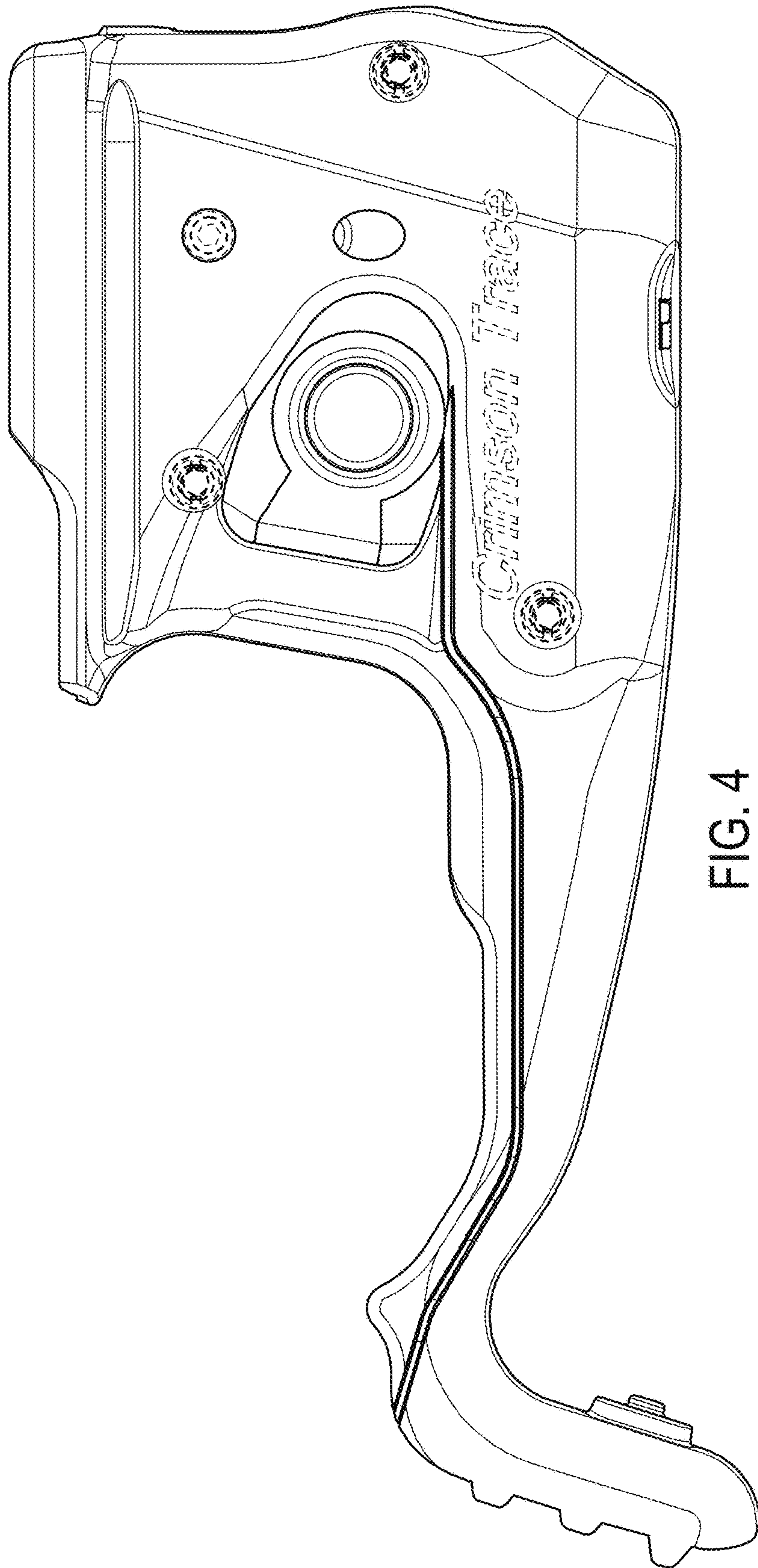


FIG. 4

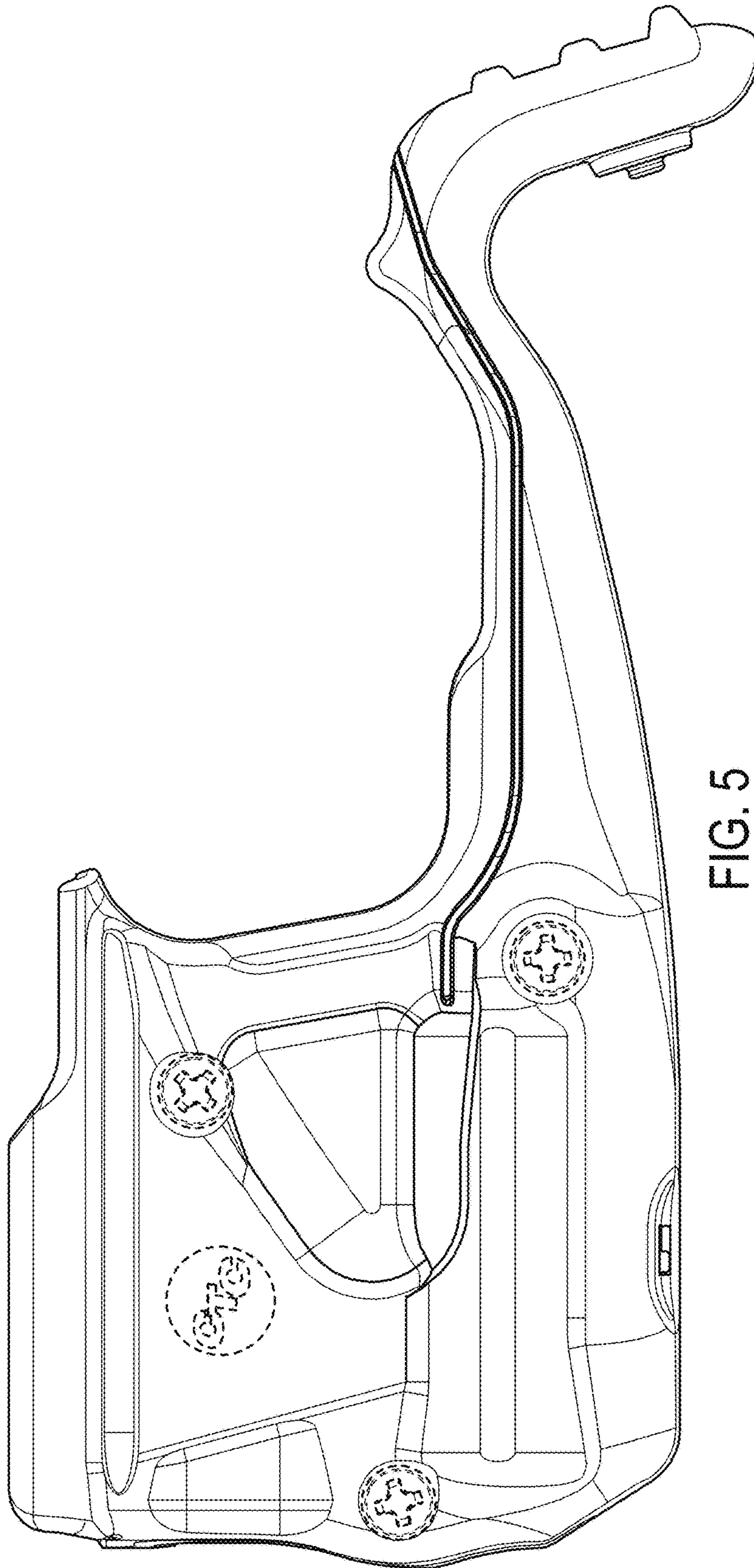


FIG. 5

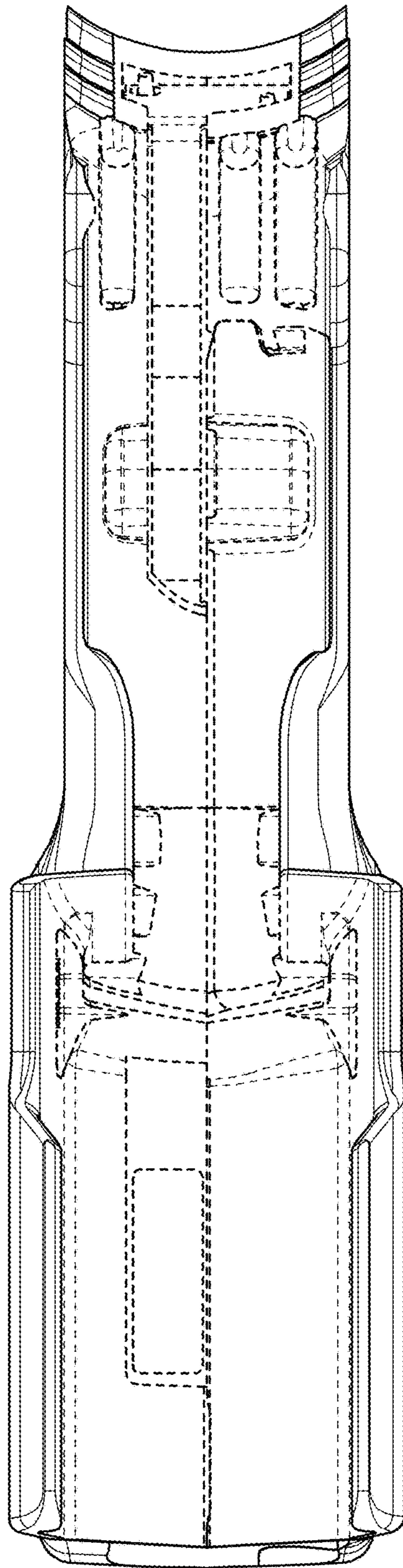


FIG. 6



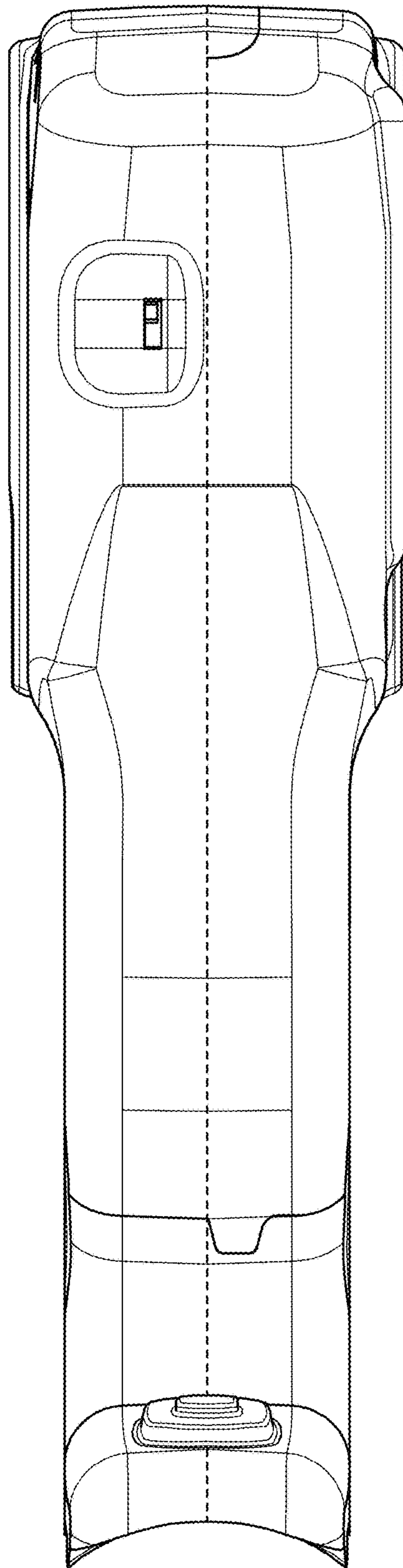


FIG. 7