



US00D823420S

(12) **United States Design Patent** (10) **Patent No.:** **US D823,420 S**  
**Fischer** (45) **Date of Patent:** **\*\* Jul. 17, 2018**

(54) **TUBE MAGAZINE LOADER**  
(71) Applicant: **Vista Outdoor Operations LLC**,  
Farmington, UT (US)  
(72) Inventor: **Paul R. Fischer**, Olathe, KS (US)  
(73) Assignee: **Vista Outdoor Operations LLC**,  
Farmington, UT (US)  
(\*\*) Term: **15 Years**  
(21) Appl. No.: **29/575,016**  
(22) Filed: **Aug. 22, 2016**  
(51) **LOC (11) Cl.** ..... **22-01**  
(52) **U.S. Cl.**  
USPC ..... **D22/108**  
(58) **Field of Classification Search**  
USPC ..... D22/108, 199  
CPC ..... F41A 9/83; F41A 9/82  
See application file for complete search history.

2,531,387 A 11/1950 Bilodeau  
2,659,173 A 11/1953 Capito  
2,783,570 A 3/1957 Kunz  
2,803,985 A 8/1957 Hull  
2,830,498 A 4/1958 Maillard  
2,834,137 A 5/1958 Kunz  
2,856,720 A 10/1958 Kunz  
2,862,324 A 12/1958 Ball  
2,885,811 A 5/1959 Womble, Jr.  
2,887,811 A 5/1959 Johnson, Jr.  
3,045,525 A 7/1962 Stadelmann  
3,263,664 A \* 8/1966 Bauer ..... F41A 9/83  
124/49  
3,292,293 A \* 12/1966 Chiasera ..... B65D 83/04  
222/267  
3,509,655 A 5/1970 Wilhelm  
3,526,028 A 9/1970 Winch  
3,710,497 A 1/1973 Musgrave  
3,789,531 A 2/1974 Kersten  
3,854,232 A 12/1974 Musgrave  
3,939,590 A 2/1976 Musgrave  
3,991,501 A 11/1976 Larsson

(Continued)

*Primary Examiner* — Michael A. Pratt  
(74) *Attorney, Agent, or Firm* — Christensen, Fonder,  
Dardi & Herbert PLLC

(56) **References Cited**  
U.S. PATENT DOCUMENTS

- 1,786,537 A 12/1930 Holek
- 1,840,477 A 1/1932 Frommer
- 2,014,177 A 9/1935 Herlach et al.
- 2,137,491 A 11/1938 Huff
- 2,191,130 A 2/1940 Ludwig
- 2,210,931 A 8/1940 Harris
- 2,345,593 A 4/1944 Garand
- 2,362,109 A 11/1944 Whitmore
- 2,394,033 A 2/1946 Wossum
- 2,403,012 A 7/1946 McPheters
- 2,451,521 A 10/1948 Uglum
- 2,452,600 A 11/1948 Pool et al.
- 2,462,836 A 3/1949 Barker et al.
- 2,466,017 A 4/1949 Farber
- 2,493,048 A 1/1950 Wangrow
- 2,514,277 A 7/1950 Donallan

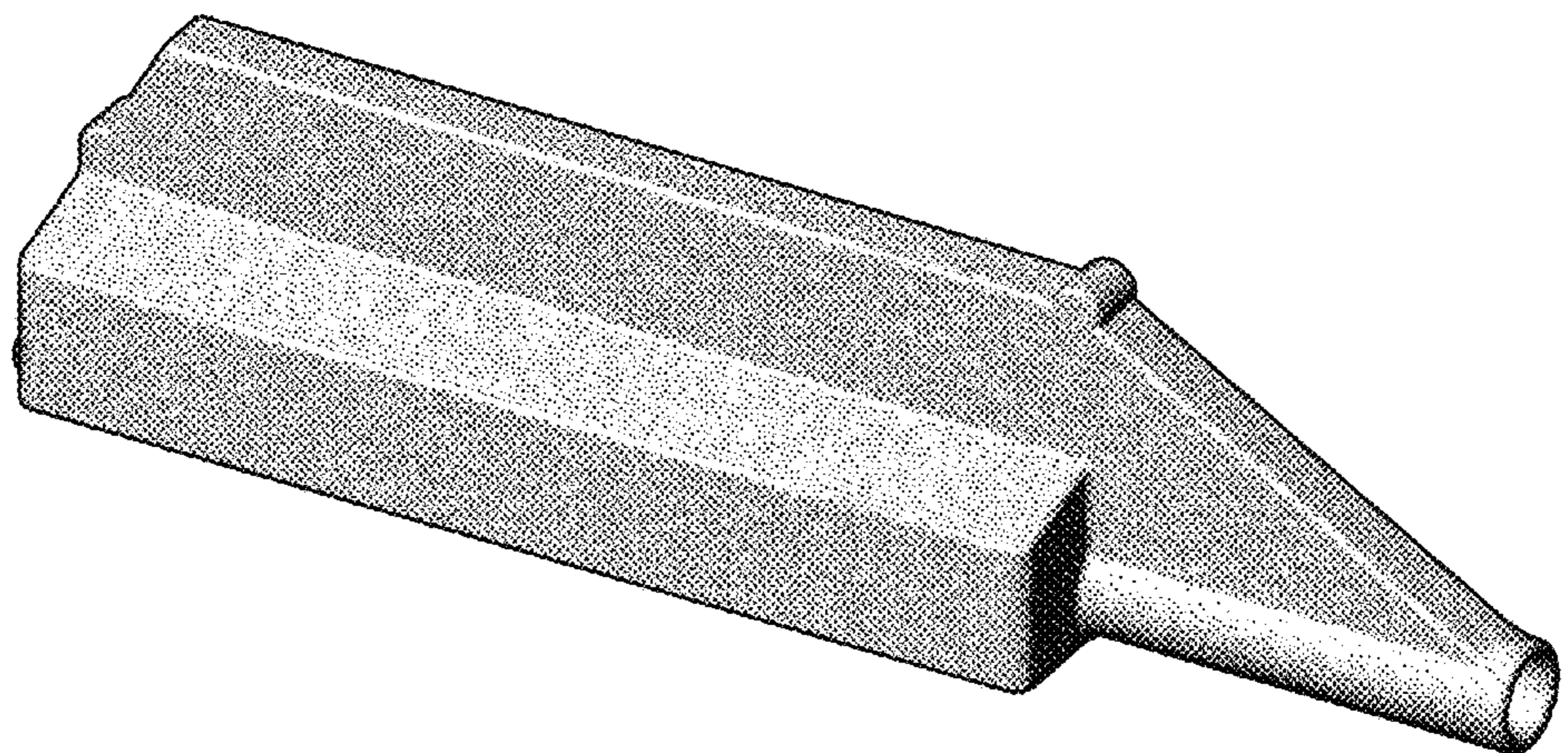
(57) **CLAIM**

I claim the ornamental design for a tube magazine loader, as shown and described.

**DESCRIPTION**

FIG. 1 is a perspective view of a tube magazine loader showing my new design;  
FIG. 2 is a front view thereof;  
FIG. 3 is a rear view thereof;  
FIG. 4 is a left side view thereof;  
FIG. 5 is a right side view thereof;  
FIG. 6 is a top view thereof; and,  
FIG. 7 is a bottom view thereof.

**1 Claim, 7 Drawing Sheets**



(56)

References Cited

U.S. PATENT DOCUMENTS

4,152,857 A 5/1979 Ketterer  
 4,291,483 A 9/1981 Musgrave  
 4,304,062 A 12/1981 Pepe et al.  
 4,352,254 A 10/1982 Peter et al.  
 4,392,321 A 7/1983 Bosworth  
 4,425,834 A 1/1984 Lohmann  
 4,452,002 A 6/1984 Musgrave  
 4,464,855 A 8/1984 Musgrave  
 4,488,371 A 12/1984 Boyles  
 4,538,371 A 9/1985 Howard  
 4,564,125 A \* 1/1986 Esslinger ..... F42B 39/002  
 124/45  
 D282,680 S 2/1986 Boyles  
 4,570,371 A 2/1986 Mears  
 4,574,511 A 3/1986 Csongor  
 4,614,052 A 9/1986 Brown et al.  
 4,688,344 A 8/1987 Kim  
 4,689,909 A \* 9/1987 Howard ..... F41A 9/83  
 42/87  
 4,706,402 A 11/1987 Csongor  
 4,707,941 A 11/1987 Eastman  
 4,719,715 A 1/1988 Howard  
 4,736,667 A 4/1988 Kochevar et al.  
 4,739,572 A 4/1988 Brandenburg  
 D300,549 S 4/1989 Crow  
 4,827,651 A 5/1989 Conkey  
 4,829,693 A 5/1989 Holmes  
 4,872,279 A 10/1989 Boat  
 4,879,829 A 11/1989 Miller et al.  
 4,888,902 A 12/1989 Knowles  
 4,939,862 A 7/1990 Brandenburg et al.  
 4,949,495 A 8/1990 Mari  
 4,967,723 A \* 11/1990 Cutrell ..... F41B 11/51  
 124/50  
 4,970,820 A 11/1990 Miller et al.  
 4,993,180 A 2/1991 Upchurch  
 5,074,070 A 12/1991 Kuykendall  
 5,129,173 A 7/1992 Kuykendall  
 5,249,386 A 10/1993 Switzer  
 5,301,449 A 4/1994 Jackson  
 5,355,606 A 10/1994 Origoni  
 5,377,436 A 1/1995 Switzer  
 5,402,594 A 4/1995 Switzer  
 5,417,003 A 5/1995 Claveau  
 5,669,171 A 9/1997 Sally  
 6,178,683 B1 1/2001 Williams  
 6,189,254 B1 2/2001 Steitz  
 6,219,953 B1 4/2001 Bentley  
 6,286,243 B1 9/2001 Hinton

D477,047 S 7/2003 Springer  
 6,678,985 B2 1/2004 Pikula  
 6,807,764 B1 10/2004 Phillips  
 6,810,616 B2 11/2004 Tal et al.  
 6,817,134 B2 11/2004 Newman  
 7,059,077 B2 6/2006 Tal et al.  
 7,257,919 B1 8/2007 Farley  
 7,383,657 B2 6/2008 Pikielny  
 7,487,613 B2 2/2009 Taylor  
 7,503,138 B2 3/2009 Tal et al.  
 D604,792 S 11/2009 Stanley  
 7,637,048 B2 12/2009 Tal et al.  
 7,805,874 B2 10/2010 Tal et al.  
 8,065,830 B2 11/2011 Twardy  
 8,234,810 B2 8/2012 Lee, III  
 8,356,441 B2 1/2013 Meinel  
 8,453,366 B2 6/2013 Gray  
 8,484,874 B2 7/2013 Kim  
 D700,266 S 2/2014 Tal et al.  
 8,650,792 B1 2/2014 Overmars  
 8,726,561 B1 5/2014 Hampton  
 8,915,007 B1 12/2014 Williams  
 8,931,199 B1 1/2015 Cauley, Jr. et al.  
 D728,065 S 4/2015 Tal et al.  
 9,003,687 B2 4/2015 Cauley, Jr. et al.  
 9,057,570 B1 6/2015 Tal et al.  
 9,091,500 B1 7/2015 Kim  
 9,115,943 B1 8/2015 Jordan  
 9,182,185 B2 11/2015 Hatch  
 9,212,859 B1 12/2015 Tal et al.  
 9,239,198 B2 1/2016 McPhee  
 9,273,917 B1 3/2016 Buckner  
 D753,781 S 4/2016 Cauley, Jr. et al.  
 9,303,934 B1 4/2016 Kazsuk  
 D755,325 S 5/2016 Cauley, Jr. et al.  
 D770,588 S 11/2016 Cauley, Jr. et al.  
 2003/0046854 A1 3/2003 Urchek  
 2003/0226306 A1 12/2003 Hines  
 2004/0159035 A1 8/2004 Newman  
 2007/0137086 A1 6/2007 Price  
 2012/0192477 A1 8/2012 Kim  
 2012/0222343 A1 9/2012 Kim  
 2013/0061505 A1 3/2013 Faifer  
 2013/0232843 A1 9/2013 Bajuelo  
 2014/0033592 A1 2/2014 Fiorucci  
 2014/0223792 A1 8/2014 Socivoi  
 2014/0298704 A1 10/2014 Niccum  
 2014/0311008 A1 10/2014 McPhee  
 2015/0316341 A1 11/2015 Aguilar  
 2015/0377573 A1 12/2015 Niccum  
 2016/0025437 A1 1/2016 Slocum  
 2016/0102932 A1 4/2016 Cobb

\* cited by examiner

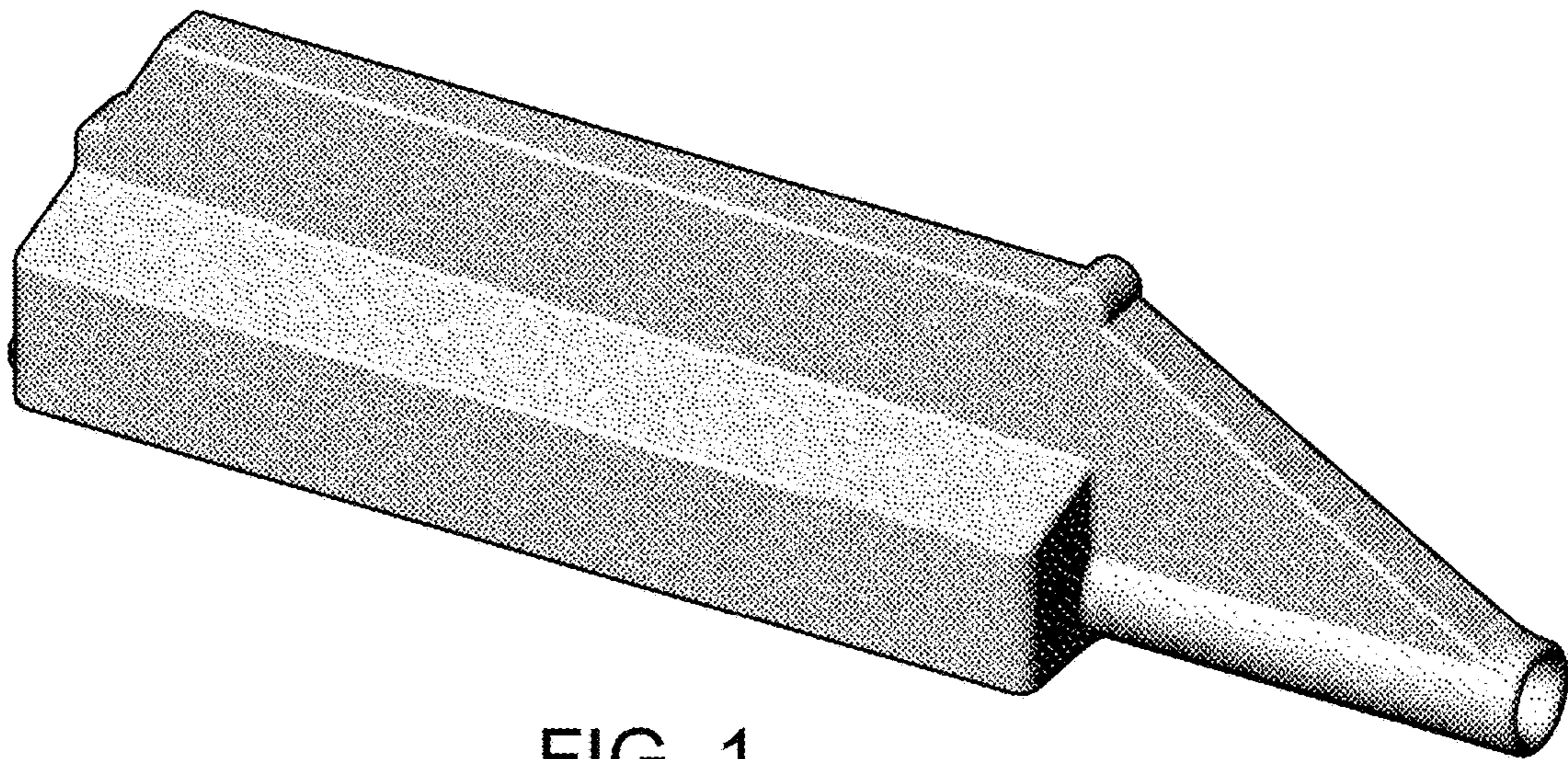


FIG. 1

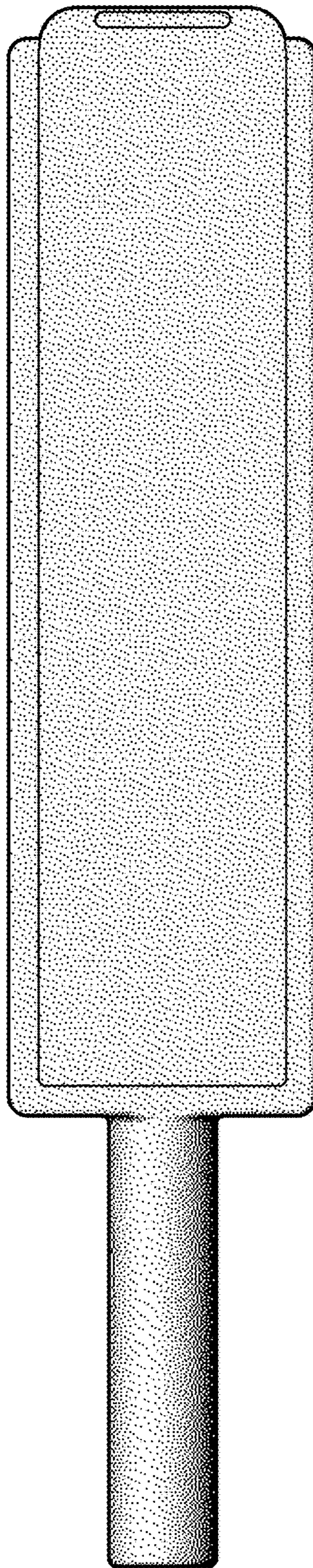


FIG. 2

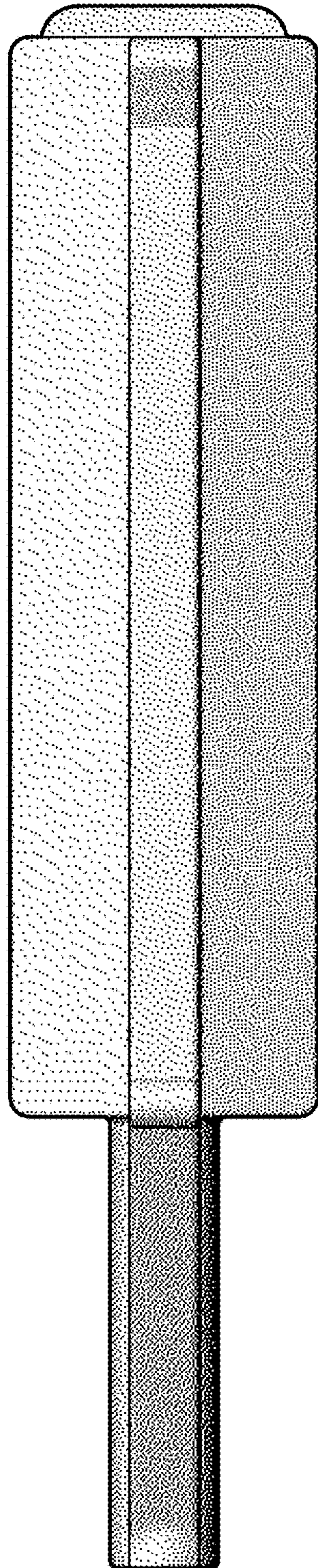


FIG. 3

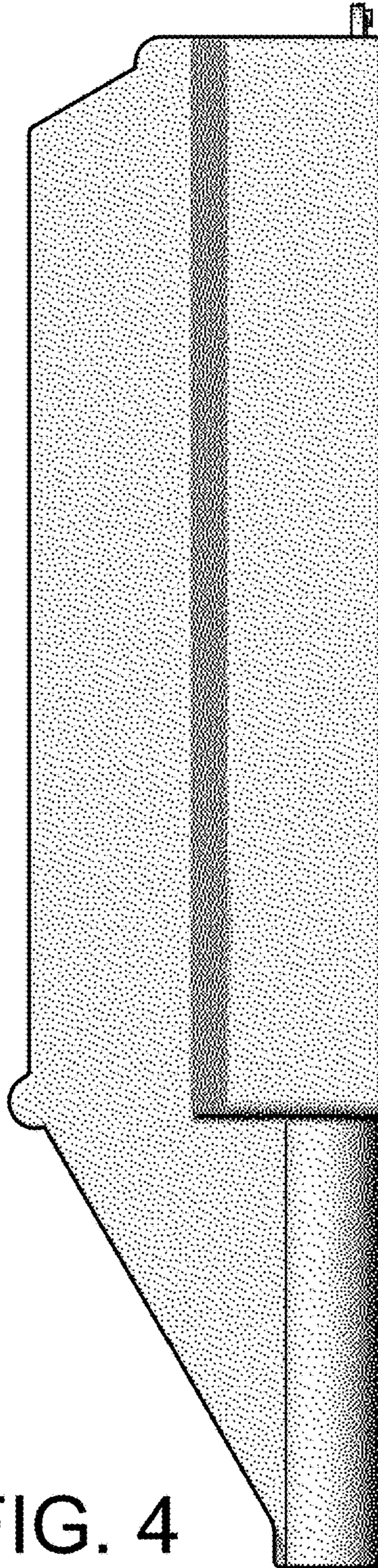


FIG. 4

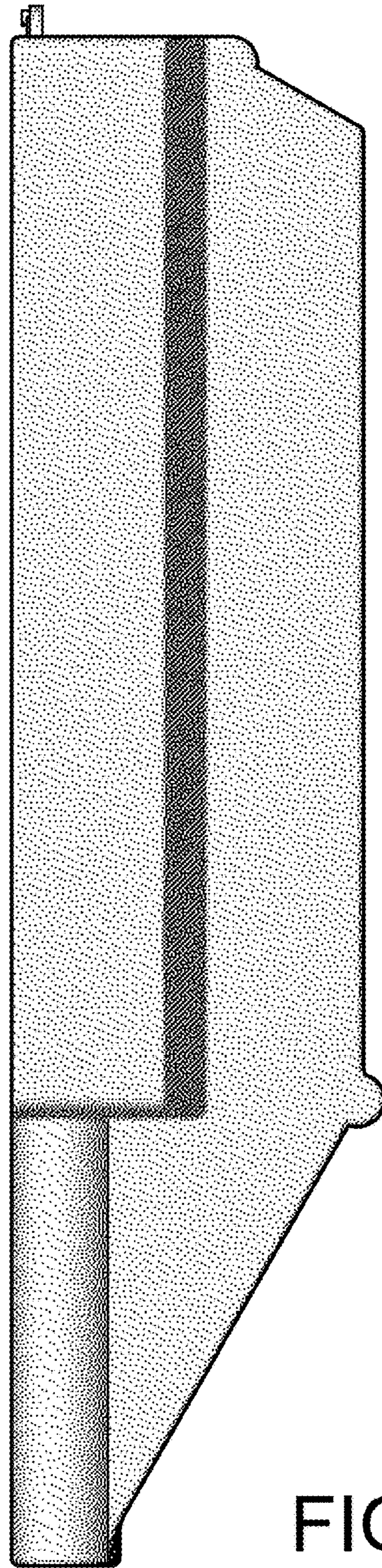


FIG. 5

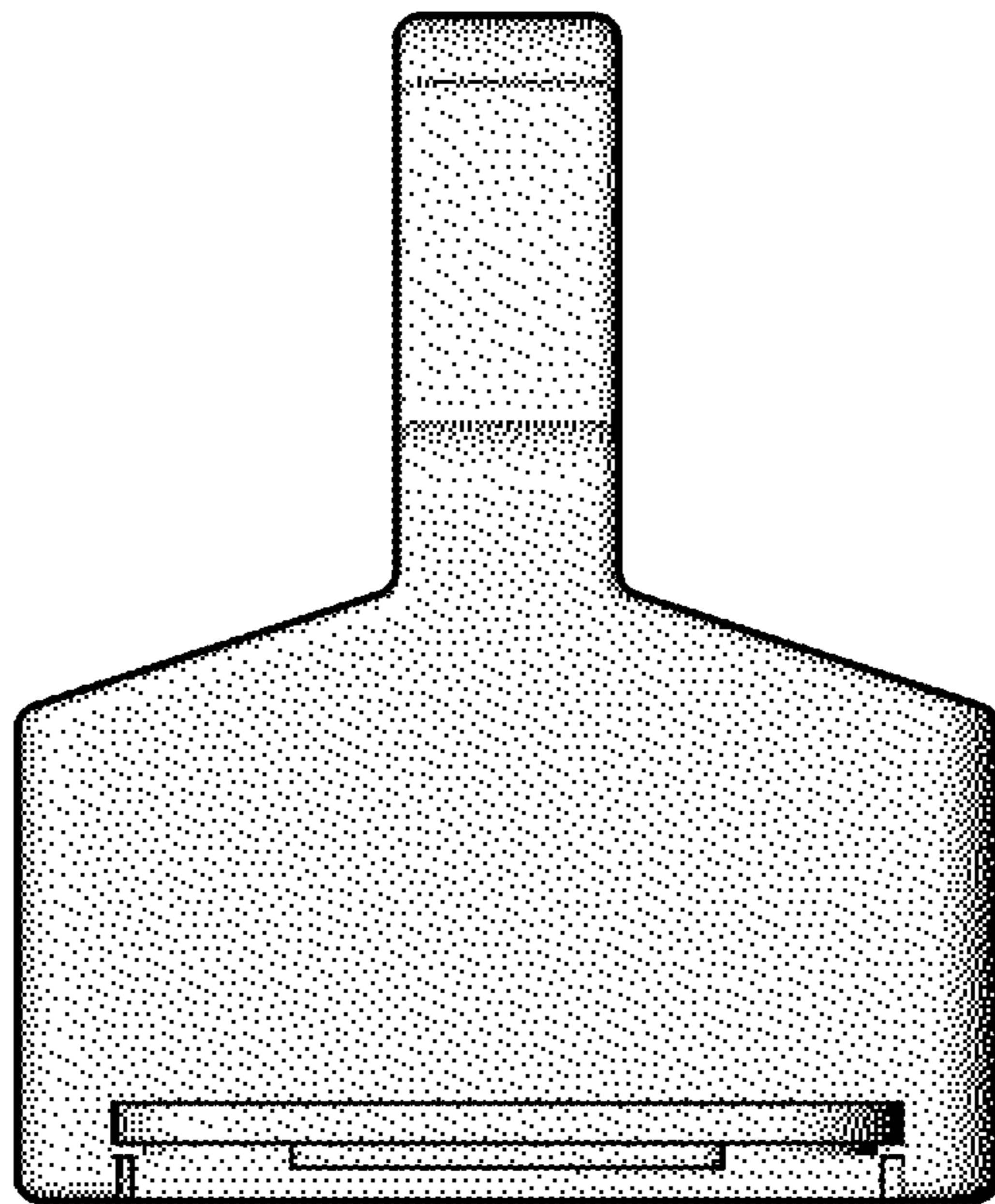


FIG. 6



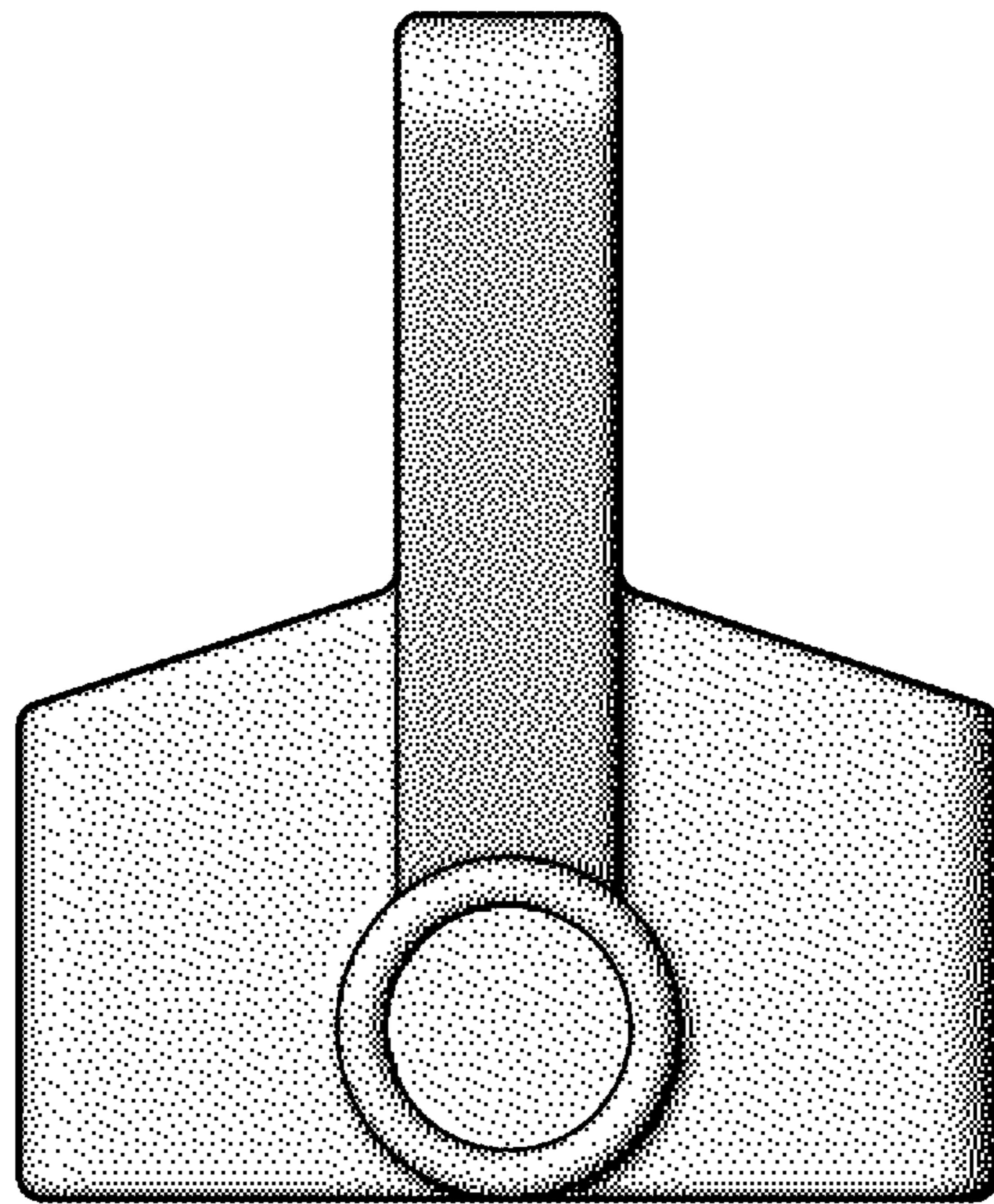


FIG. 7