



US00D823418S

(12) **United States Design Patent** (10) **Patent No.:** **US D823,418 S**
Bagumyan et al. (45) **Date of Patent:** **** Jul. 17, 2018**

(54) **OBSTACLE COURSE**
(71) Applicant: **Magic Jump, Inc.**, Sun Valley, CA (US)
(72) Inventors: **Sarmen Bagumyan**, Sun Valley, CA (US); **Arthur Bagumyan**, Sun Valley, CA (US); **Andranik Andy Bagumyan**, Sun Valley, CA (US)
(**) Term: **15 Years**
(21) Appl. No.: **29/611,525**
(22) Filed: **Jul. 21, 2017**
(51) **LOC (11) Cl.** **21-03**
(52) **U.S. Cl.**
USPC **D21/833; D21/811**
(58) **Field of Classification Search**
USPC D21/811, 814, 820, 835
CPC . E04H 15/20; E04H 15/324; E04H 2015/201; E04H 2015/204; E04H 2015/206; A45B 19/02
See application file for complete search history.

D600,769 S * 9/2009 Xiao D21/820
D600,770 S * 9/2009 Xiao D21/820
D627,848 S * 11/2010 Cline D21/814
7,878,877 B2 * 2/2011 Scherba A63G 9/00 446/220
D762,800 S * 8/2016 Scherba D21/811
D762,801 S * 8/2016 Scherba D21/811
D803,340 S * 11/2017 Scherba D21/814
9,919,229 B1 * 3/2018 Bagumyan A63G 31/12
D815,232 S * 4/2018 Bagumyan D21/820
2015/0111655 A1 * 4/2015 Coleman A63G 31/12 472/134

* cited by examiner

Primary Examiner — Robin V Webster
Assistant Examiner — Keith J Wilson
(74) *Attorney, Agent, or Firm* — Not Just Patents LLC; Wendy S. Peterson

(57) **CLAIM**

The ornamental design for an obstacle course, as shown and described.

DESCRIPTION

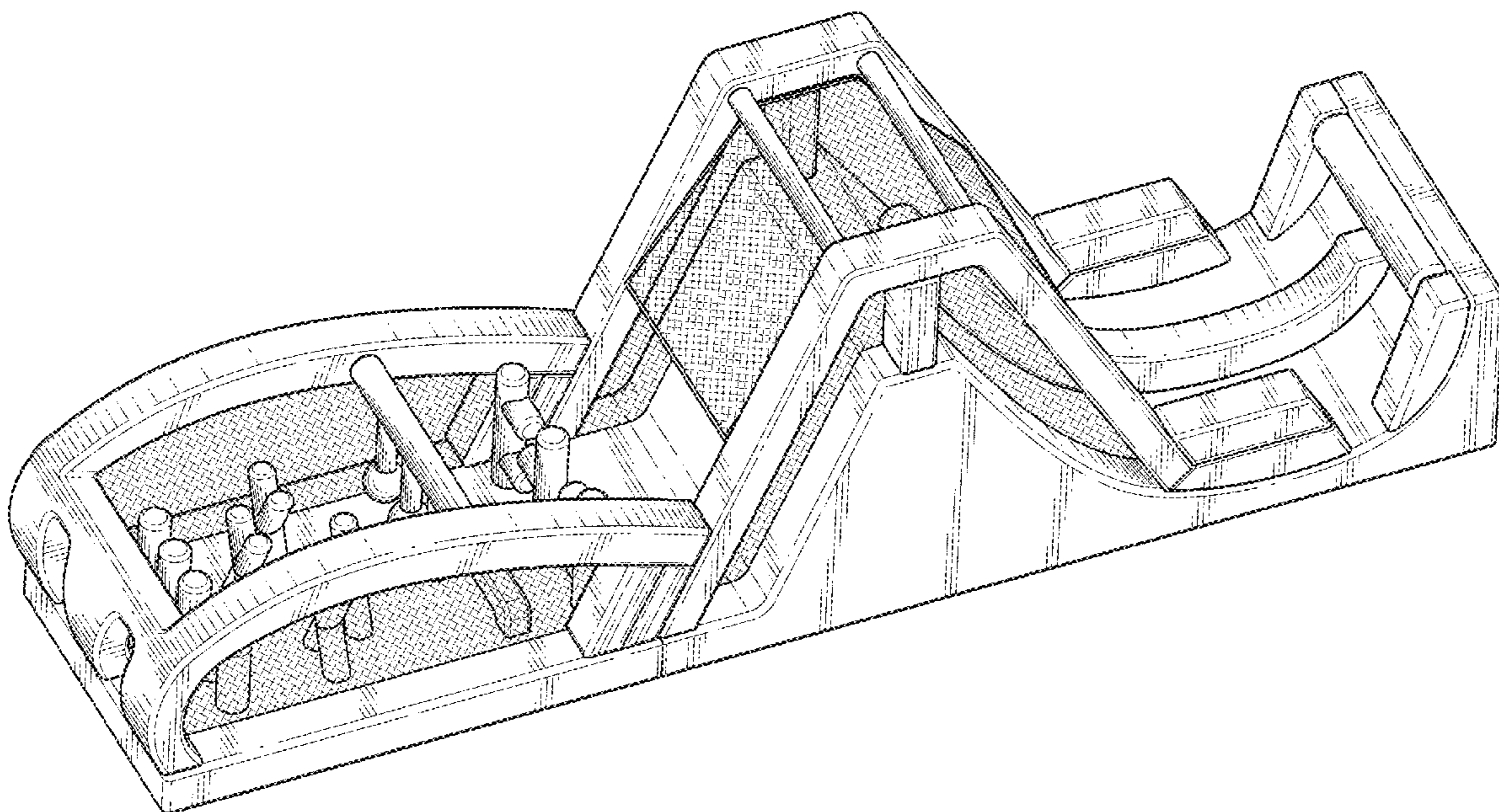
FIG. 1 is a top, front, right perspective view of an obstacle course showing our new design;
FIG. 2 is a right view thereof;
FIG. 3 is a left view thereof;
FIG. 4 is a top view thereof;
FIG. 5 is a bottom view thereof;
FIG. 6 is a front view thereof; and,
FIG. 7 is a back view thereof.

1 Claim, 6 Drawing Sheets

(56) **References Cited**

U.S. PATENT DOCUMENTS

D437,380 S * 2/2001 Gourchounian D21/835
D460,141 S * 7/2002 Gourchounian D21/820
6,565,405 B2 * 5/2003 Hsu A63B 5/11 446/220
D595,802 S * 7/2009 Boulton D21/835



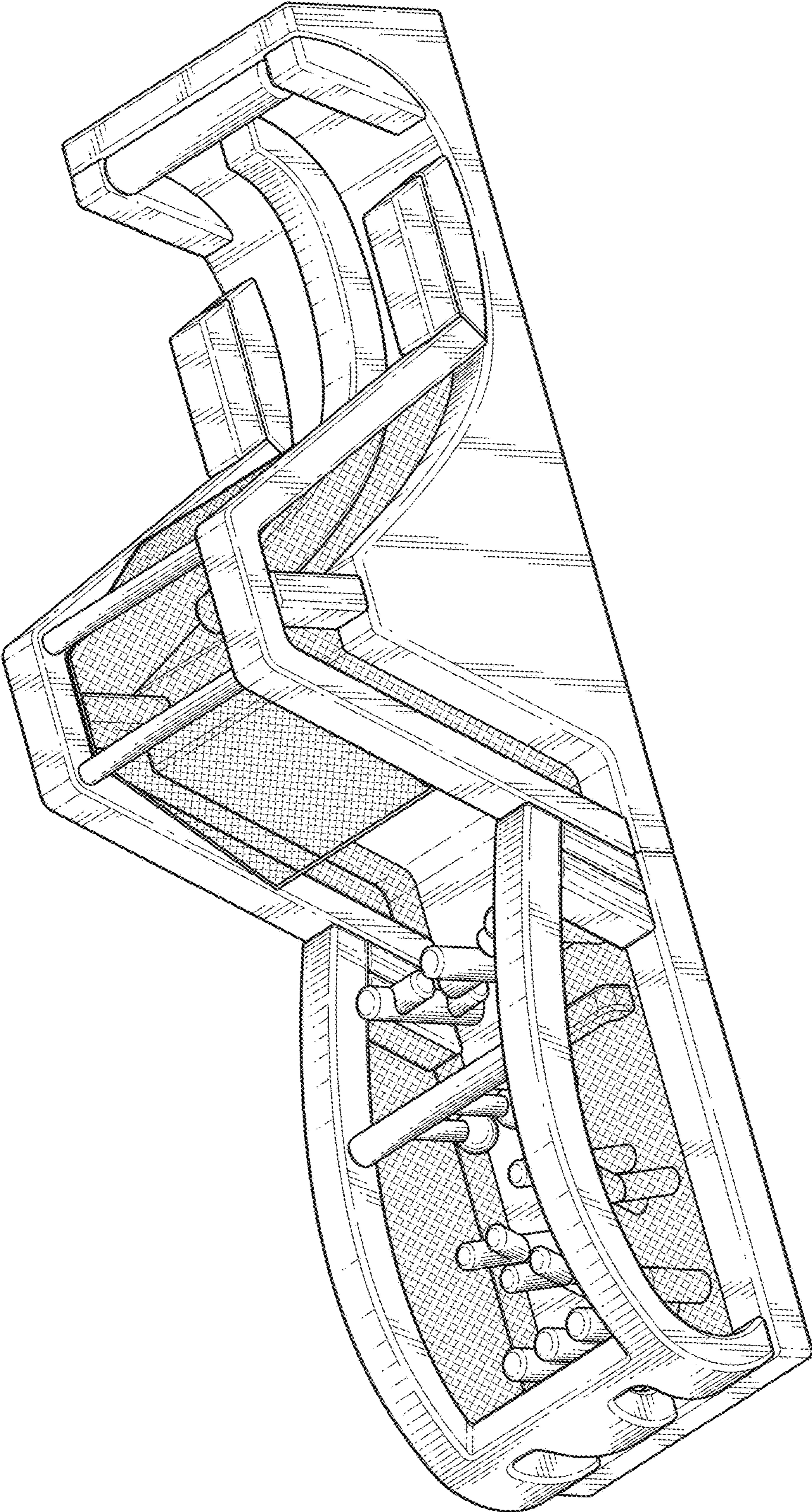


FIG. 1

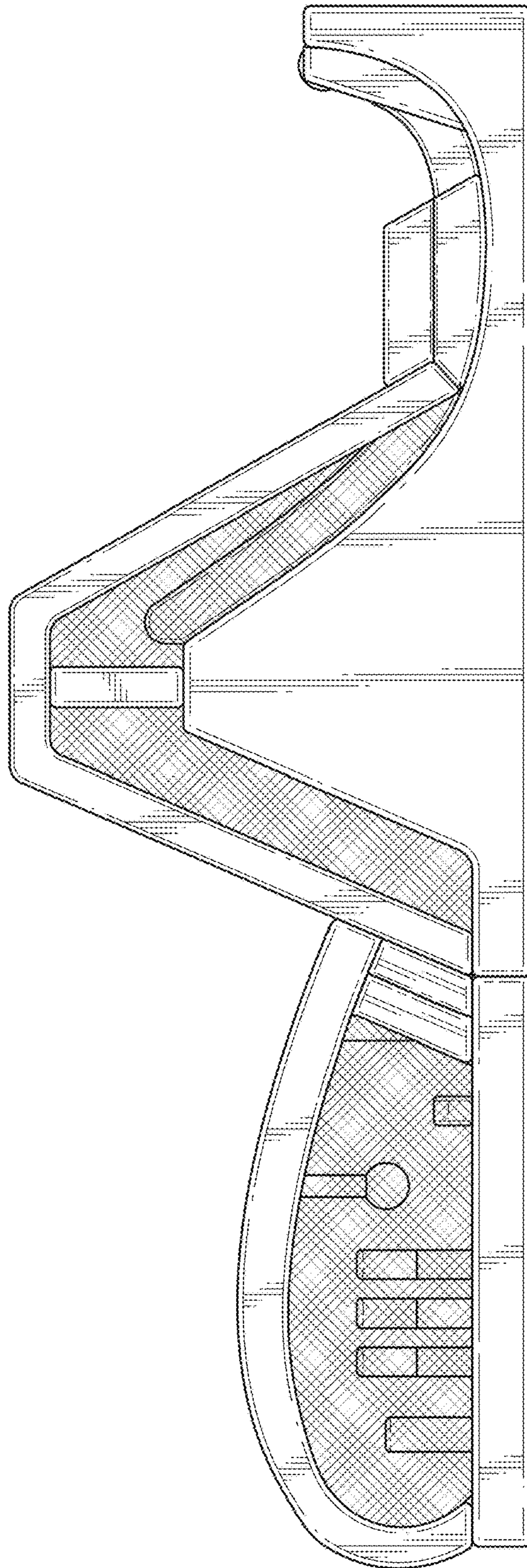


FIG. 2

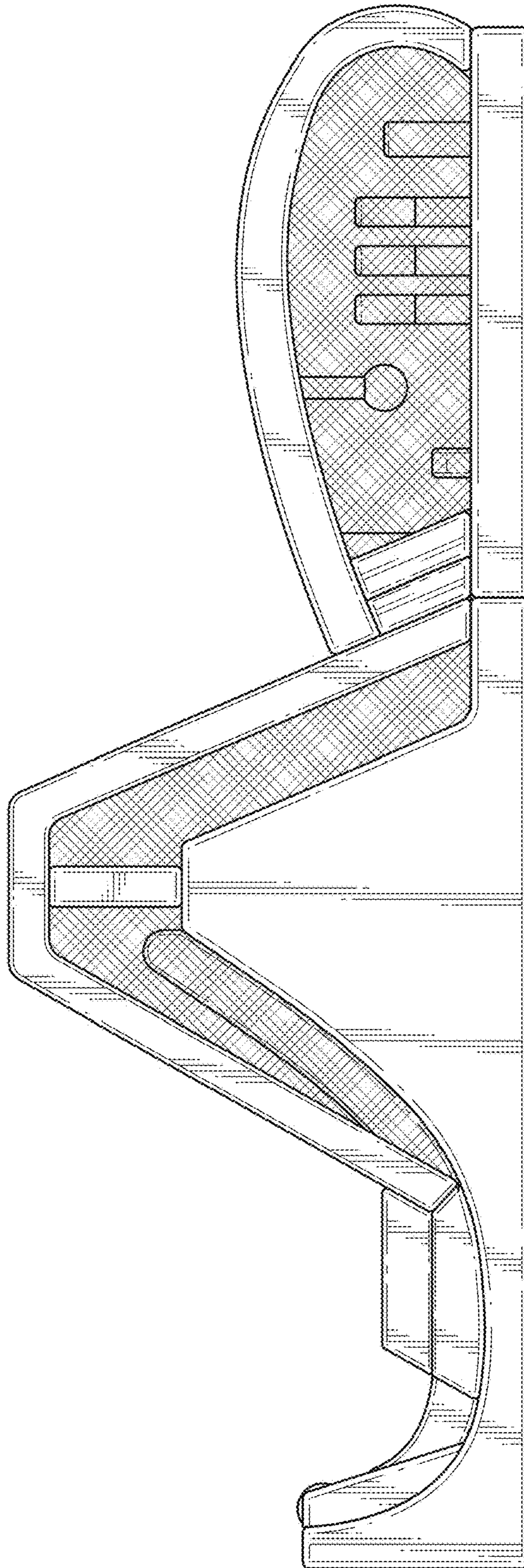


FIG. 3

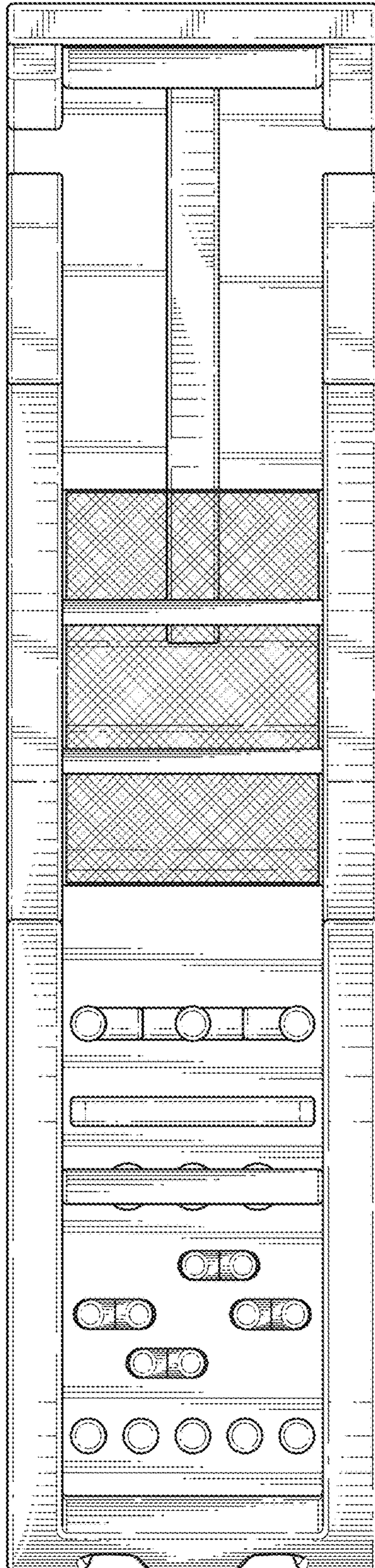


FIG. 4

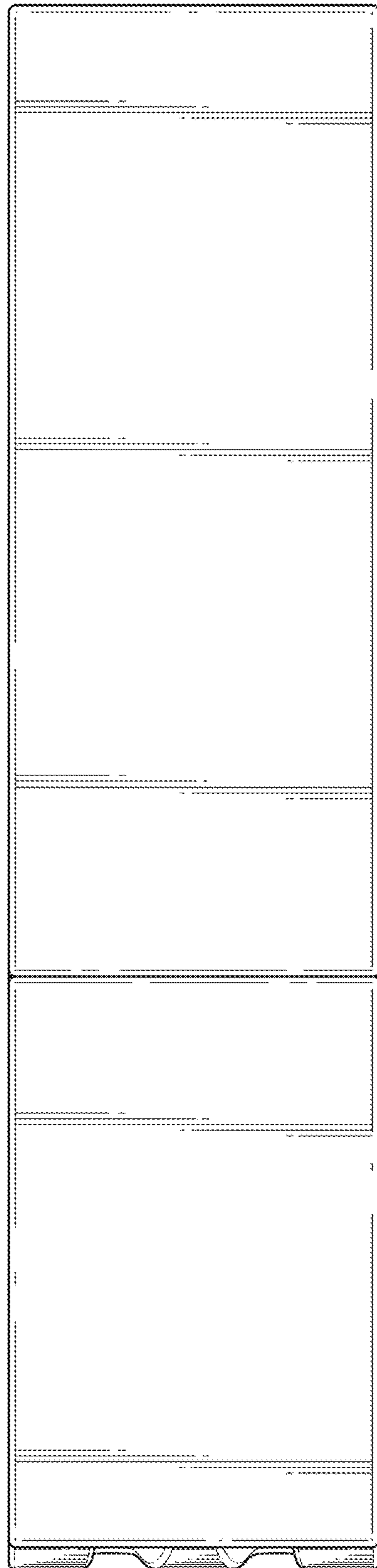


FIG. 5

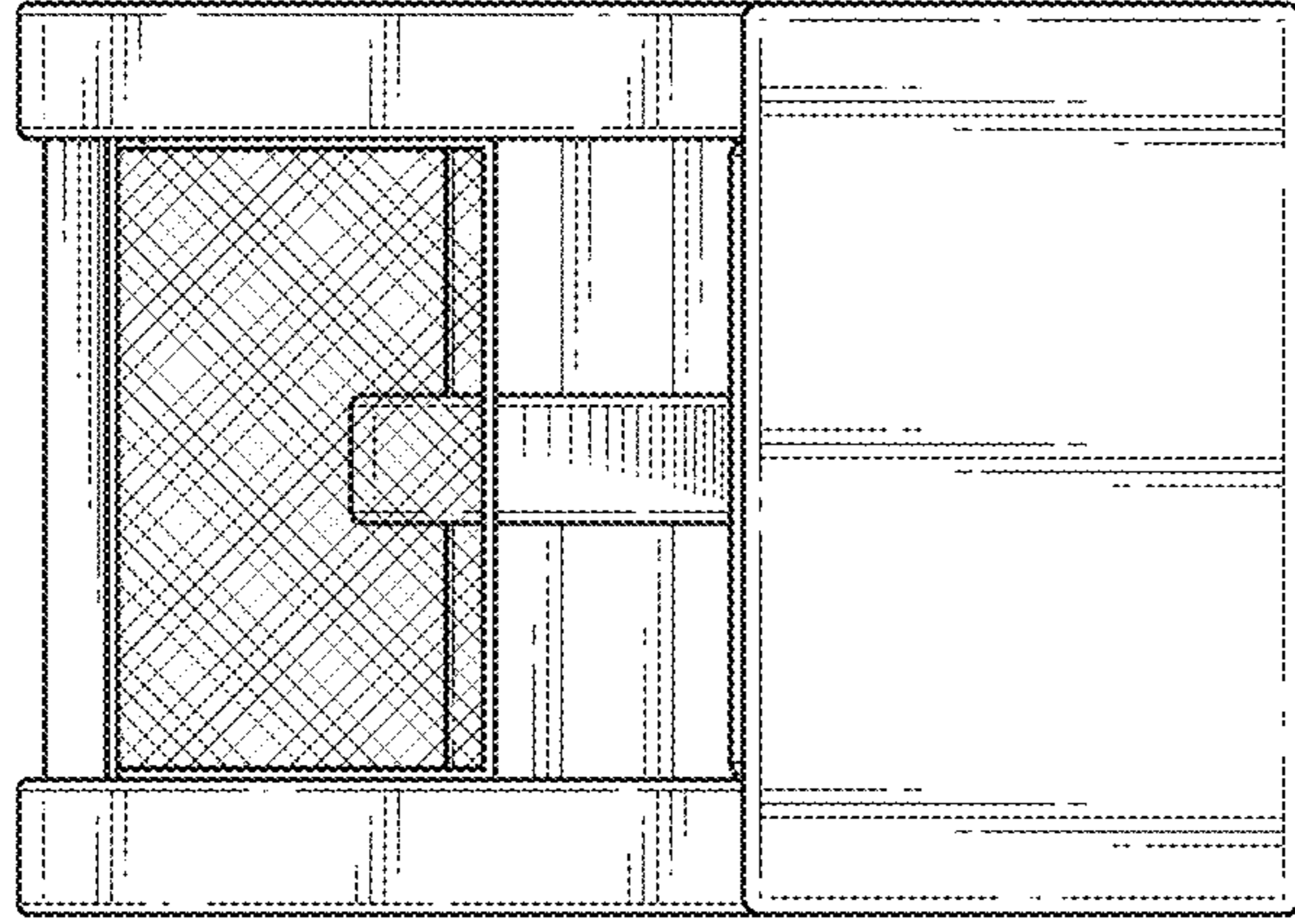


FIG. 7

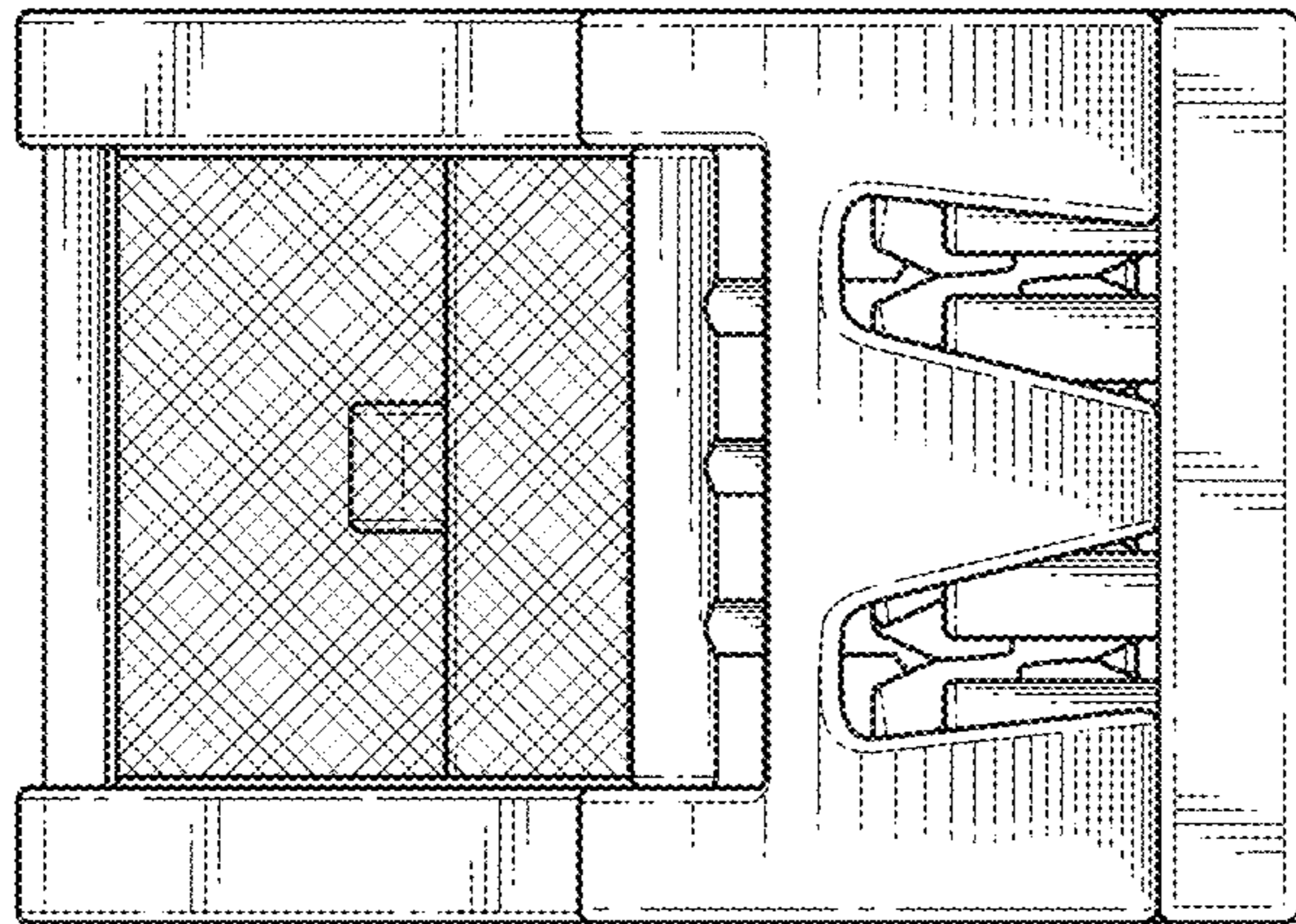


FIG. 6