



US00D823417S

(12) **United States Design Patent**  
**Chataigner**

(10) **Patent No.:** **US D823,417 S**

(45) **Date of Patent:** **\*\* Jul. 17, 2018**

(54) **PADDLE FOR SWIMMING**

(71) Applicant: **Decathlon S.A.**, Villeneuve d'Ascq (FR)

(72) Inventor: **Damien Chataigner**, Ciboure (FR)

(73) Assignee: **Decathlon S.A.**, Villeneuve d'Ascq (FR)

(\*\*) Term: **14 Years**

(21) Appl. No.: **29/521,198**

(22) Filed: **Mar. 20, 2015**

(30) **Foreign Application Priority Data**

Oct. 9, 2014 (EM) ..... 002553701-0001

(51) **LOC (11) Cl.** ..... **21-06**

(52) **U.S. Cl.**  
USPC ..... **D21/807**

(58) **Field of Classification Search**  
USPC ..... D21/732, 806, 807; 441/56, 57, 58;  
482/55, 111  
CPC ..... B63C 9/115  
See application file for complete search history.

(56) **References Cited**

**U.S. PATENT DOCUMENTS**

4,437,842 A \* 3/1984 Connor ..... B63B 35/7906  
441/65  
D329,633 S \* 9/1992 Rodgers, Jr. .... D21/807

5,167,551 A \* 12/1992 Davis ..... A63B 31/04  
441/57

5,511,998 A \* 4/1996 Johnson ..... A63B 31/10  
441/56

D397,187 S \* 8/1998 Reeder ..... D21/807

\* cited by examiner

*Primary Examiner* — Zenia Bennett

(74) *Attorney, Agent, or Firm* — Fross Zelnick Lehrman & Zissu, P.C.; Charles T. J. Weigell, Esq.

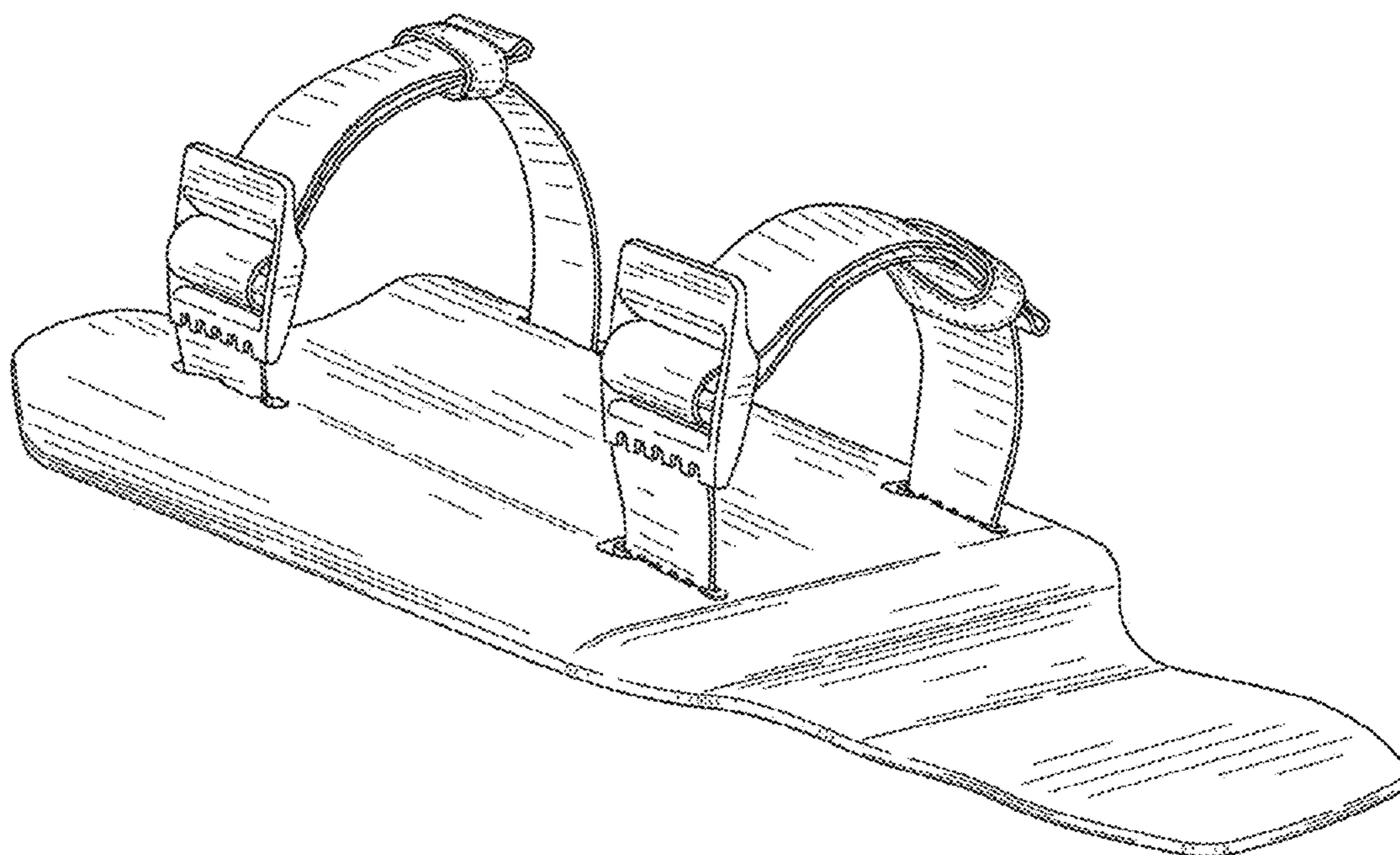
(57) **CLAIM**

The ornamental design for a paddle for swimming, as shown and described.

**DESCRIPTION**

FIG. 1 is a front perspective view of the paddle for swimming showing the new design;  
FIG. 2 is a front view thereof;  
FIG. 3 is a rear view thereof;  
FIG. 4 is a left side view thereof;  
FIG. 5 is a right side view thereof;  
FIG. 6 is a top view thereof; and,  
FIG. 7 is a bottom view thereof.  
The broken lines in the drawing represent stitching and form part of the claimed design.

**1 Claim, 4 Drawing Sheets**



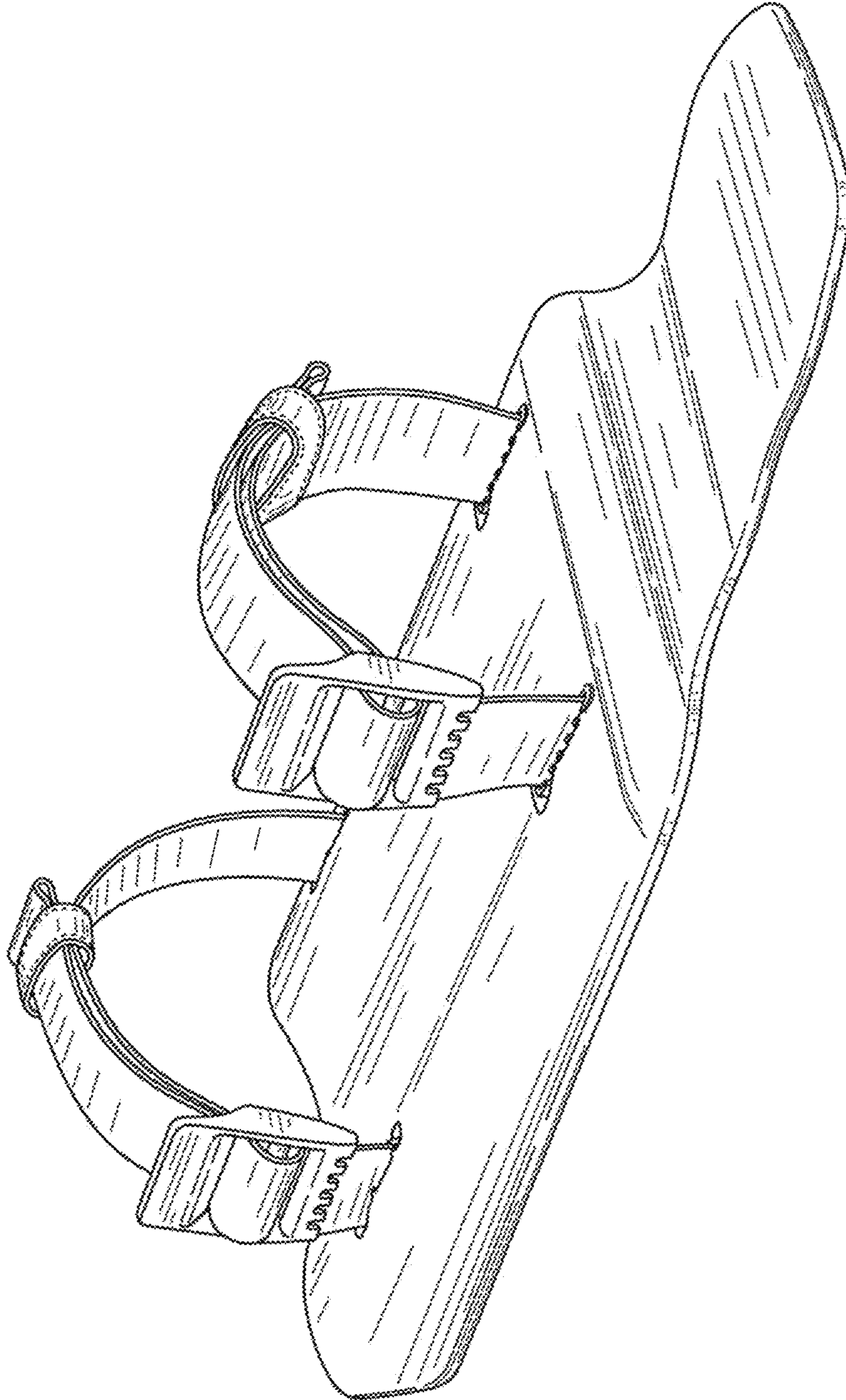


FIG. 1

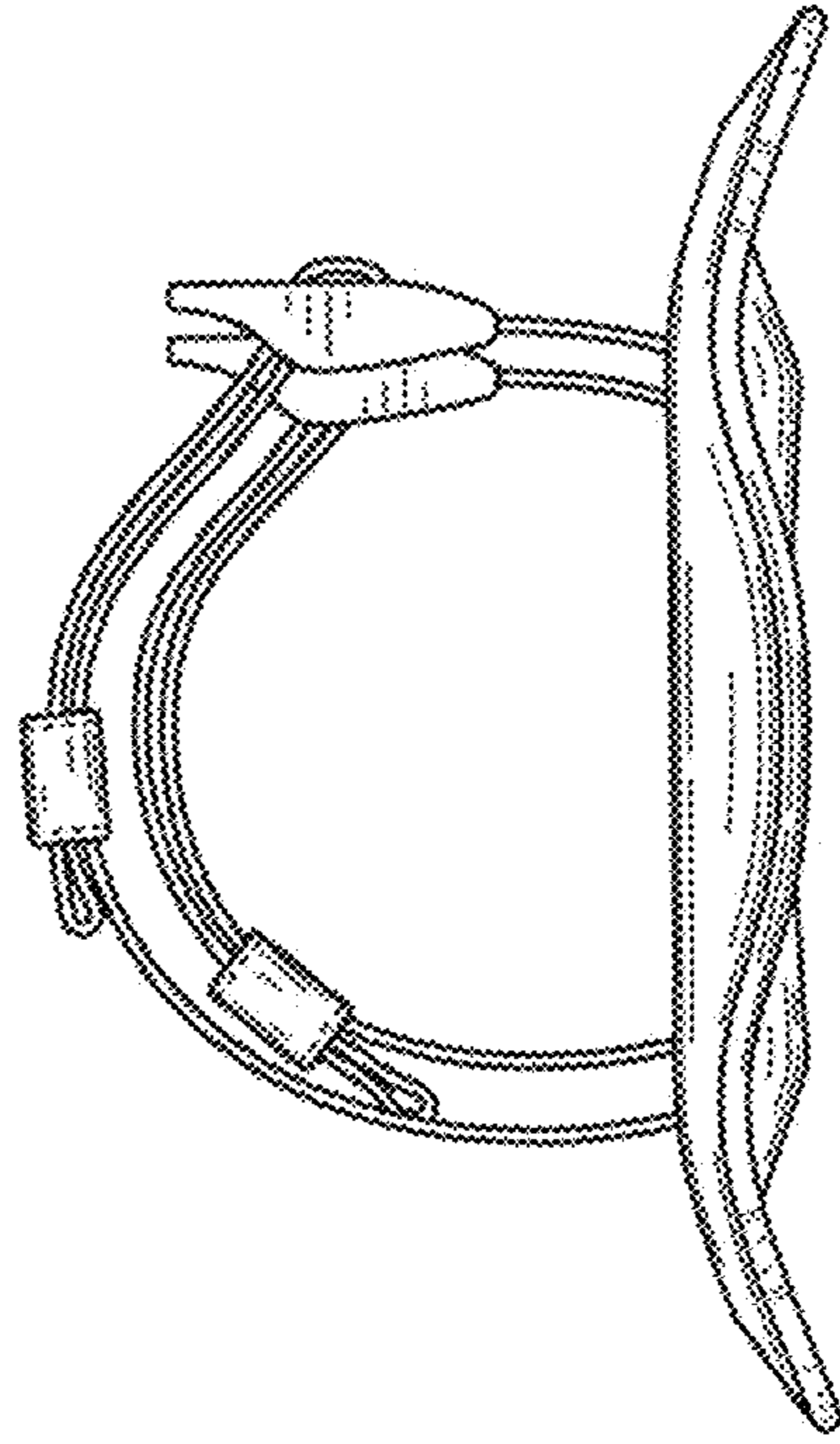


FIG. 3

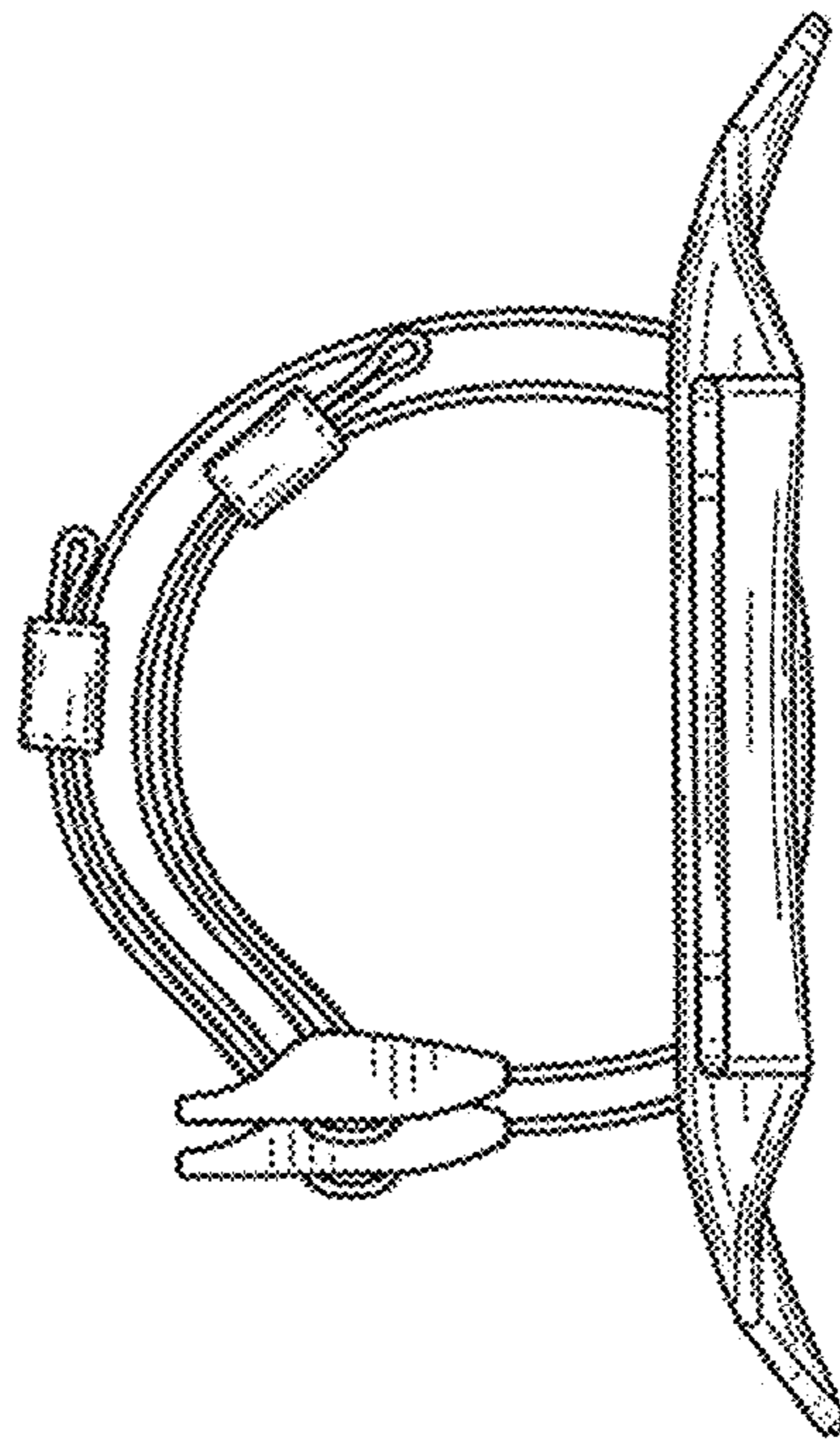


FIG. 2

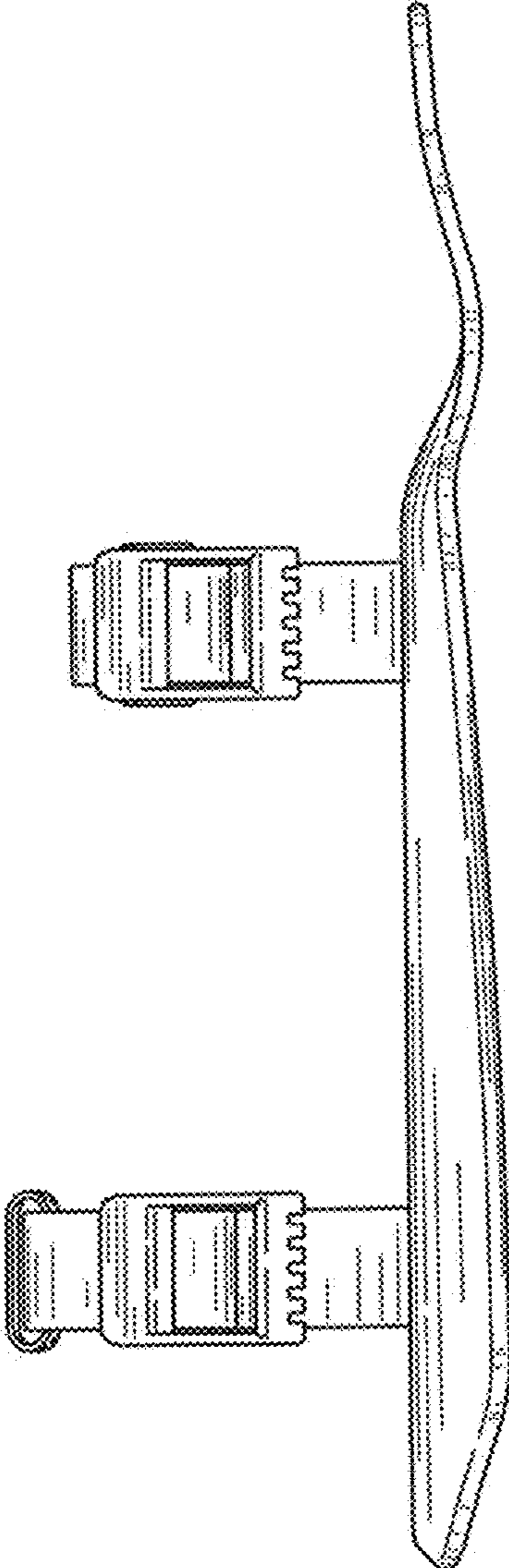


FIG. 4

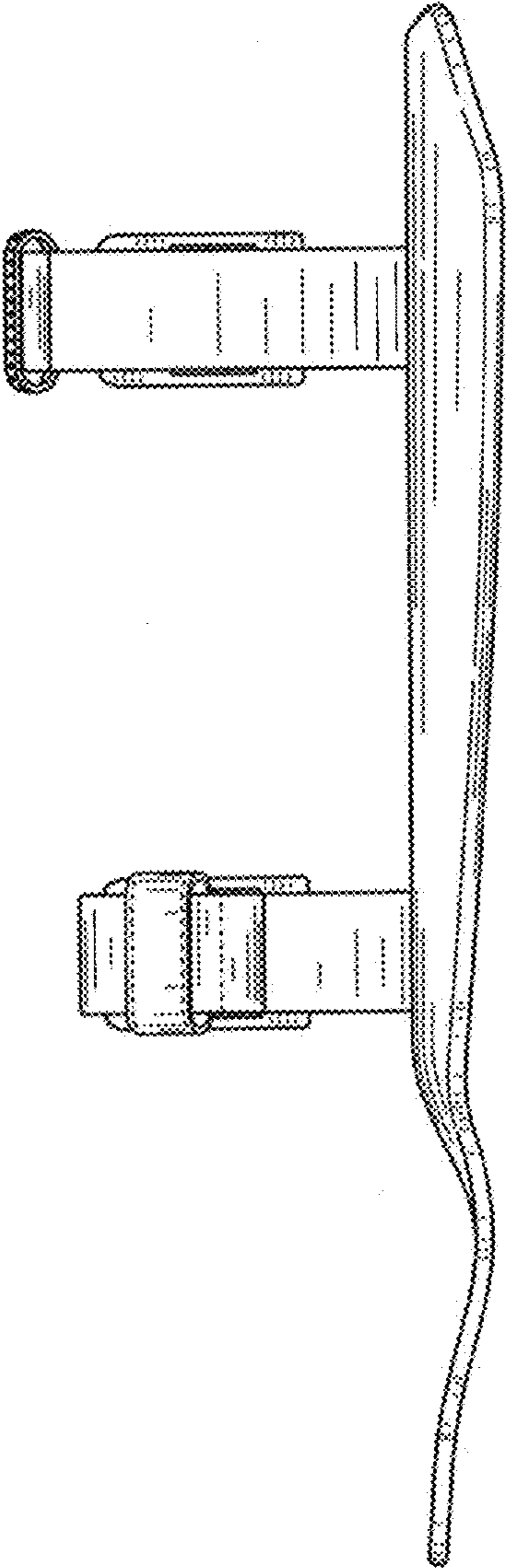


FIG. 5

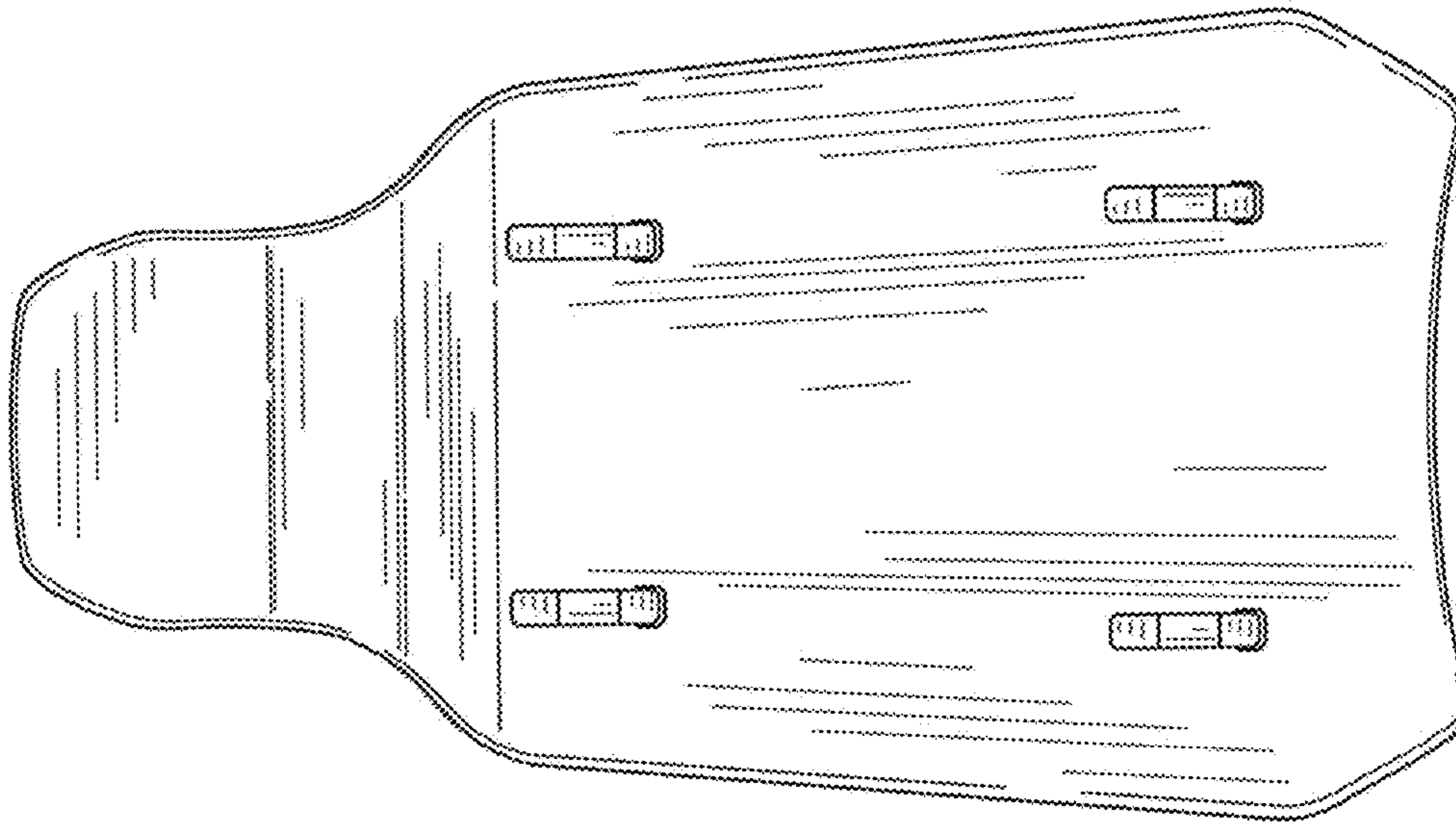


FIG. 7

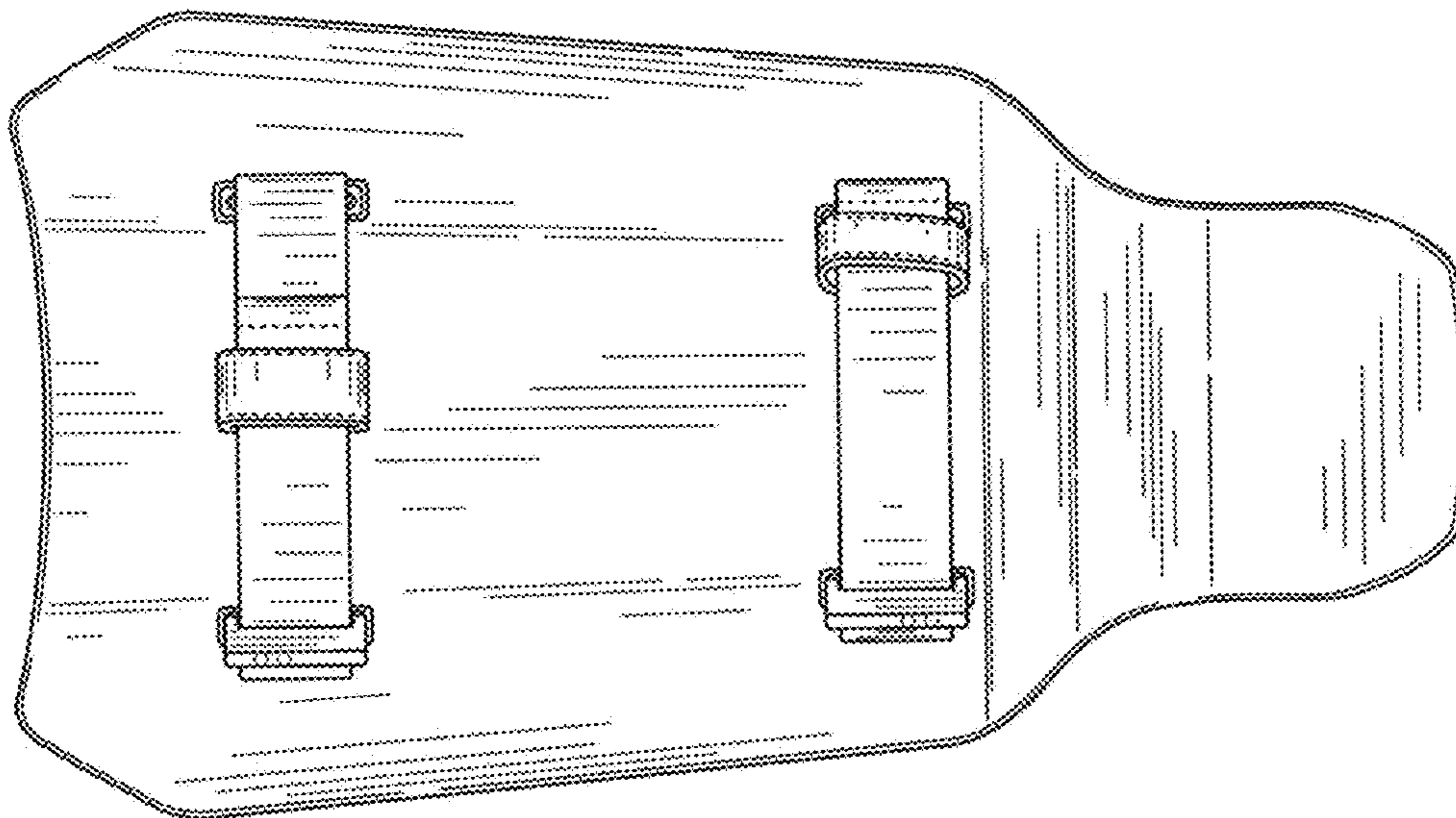


FIG. 6