



US00D823415S

(12) **United States Design Patent**
Zwart

(10) **Patent No.:** **US D823,415 S**
(45) **Date of Patent:** **** Jul. 17, 2018**

- (54) **DIVOT REPAIR TOOL**
- (71) Applicant: **Michel Zwart, Kwai Chung (HK)**
- (72) Inventor: **Michel Zwart, Kwai Chung (HK)**
- (73) Assignee: **Sandgroup International Ltd., Kwai Chung (HK)**
- (**) Term: **15 Years**
- (21) Appl. No.: **29/602,009**
- (22) Filed: **Apr. 27, 2017**
- (51) **LOC (11) Cl.** **21-02**
- (52) **U.S. Cl.**
USPC **D21/793**
- (58) **Field of Classification Search**
USPC D21/789, 793-794
CPC . A63B 57/00; A63B 57/0037; A63B 57/0032;
A63B 57/50; A63B 57/12; A63B 57/16;
A63B 57/20; A63B 57/30; A63B 57/35
See application file for complete search history.

6,800,042	B2 *	10/2004	Braithwaite	A63B 57/207
					473/406
D500,828	S *	1/2005	Pace	D21/793
6,837,807	B1 *	1/2005	Kerr	A63B 57/50
					473/286
D513,632	S *	1/2006	Sokolowski	D21/793
D570,946	S *	6/2008	Oas	D21/793
D651,272	S *	12/2011	Corcoran	D21/793
D669,148	S *	10/2012	Dalton	B25C 7/00
					D21/793
D669,952	S *	10/2012	Zwart	D21/793
D699,804	S *	2/2014	Zwart	D21/793
D700,262	S *	2/2014	Zwart	D21/793
D700,263	S *	2/2014	Zwart	D21/793

* cited by examiner

Primary Examiner — Mitchell I. Siegel
(74) *Attorney, Agent, or Firm* — Jason T. Daniel, Esq.;
Daniel Law Offices, P.A.

(57) **CLAIM**

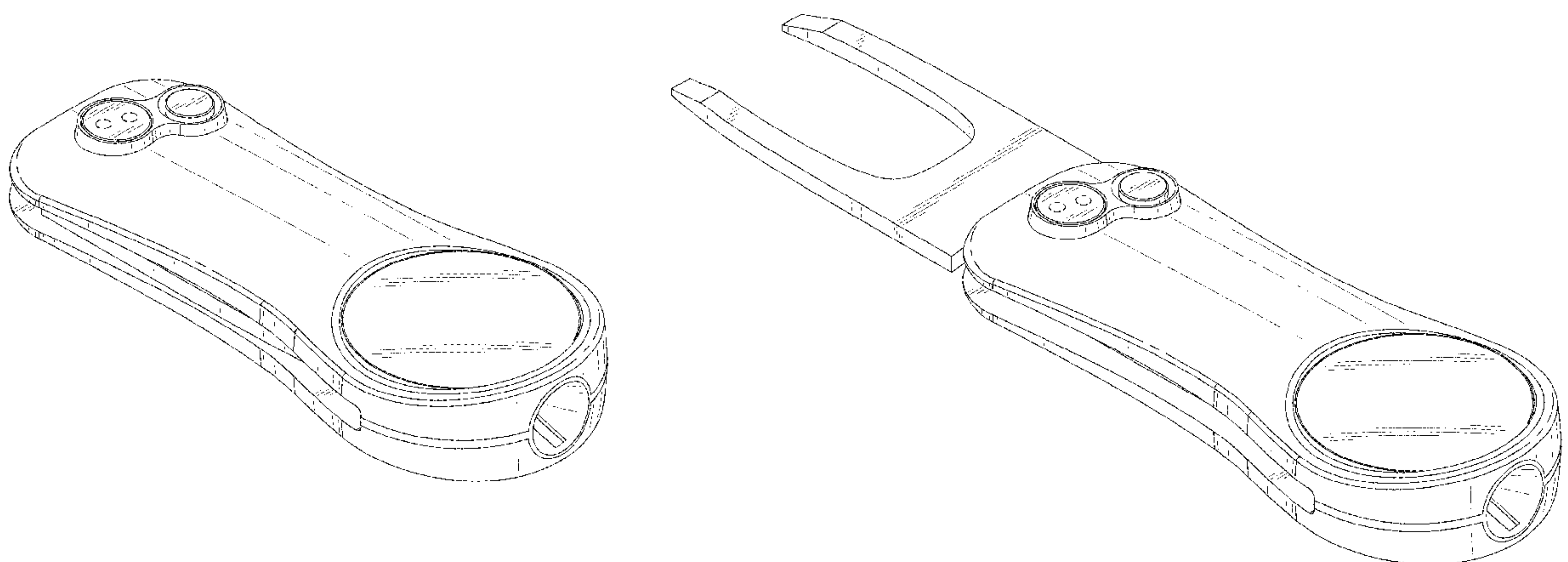
The ornamental design for a divot repair tool, as shown and described.

DESCRIPTION

FIG. 1 is a front perspective view thereof in a closed position,
FIG. 2 is a front side elevational view thereof,
FIG. 3 is a back side elevational view thereof,
FIG. 4 is a left side elevational view thereof,
FIG. 5 is a right side elevational view thereof,
FIG. 6 is a top side elevational view thereof,
FIG. 7 is a bottom side elevational view thereof; and,
FIG. 8 is a front perspective view thereof in an open position.

1 Claim, 4 Drawing Sheets

- (56) **References Cited**
U.S. PATENT DOCUMENTS
- 5,405,133 A * 4/1995 Upton A63B 57/50
172/378
- D361,815 S * 8/1995 Fazekas D21/793
- 5,449,169 A * 9/1995 Hardin A63B 57/50
473/408
- D369,637 S * 5/1996 Digerness D21/793
- 5,562,553 A * 10/1996 Digerness A63B 57/50
473/406
- 6,162,137 A * 12/2000 Jones A24F 13/26
30/109
- D471,944 S * 3/2003 Freitas D21/793



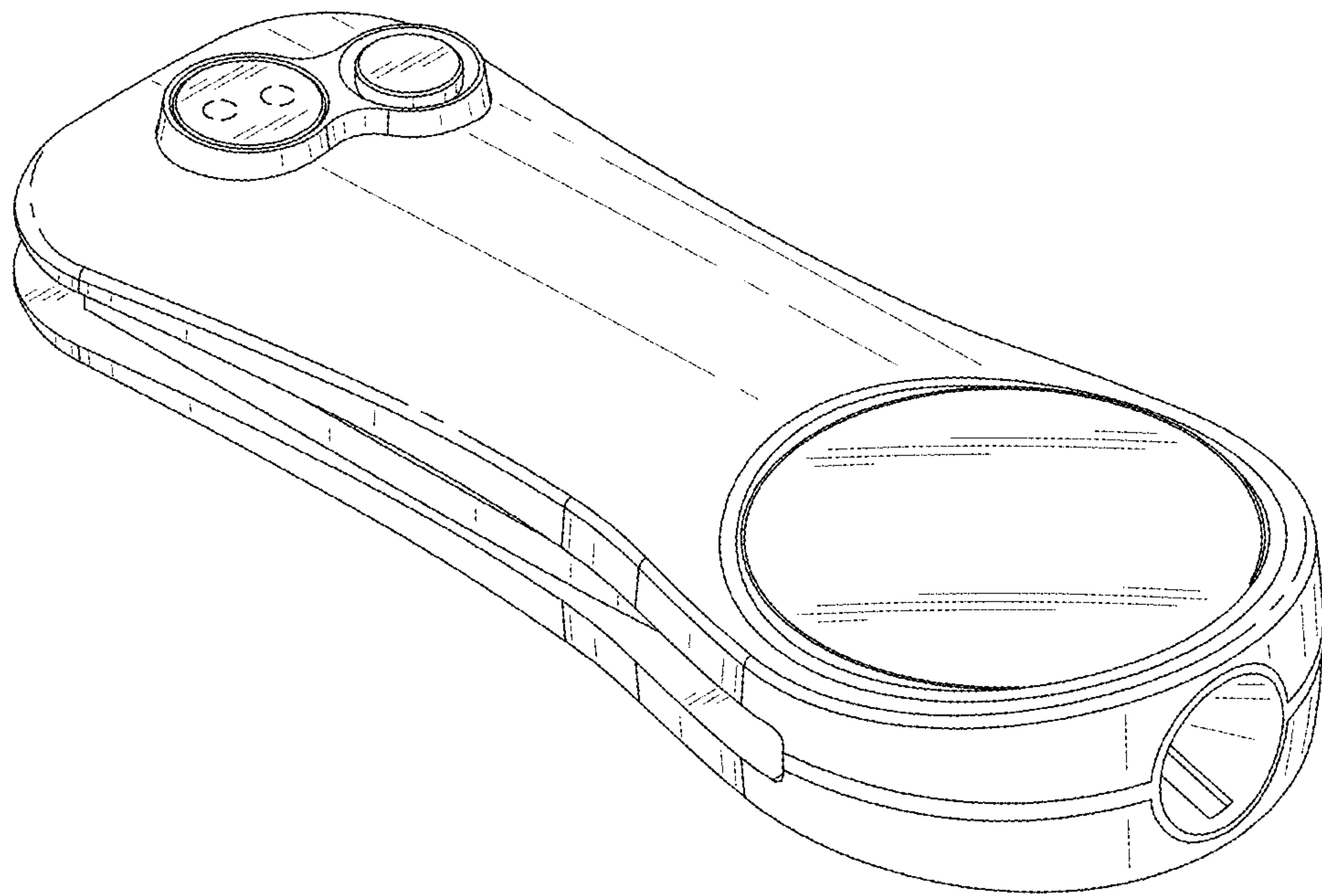


FIG. 1

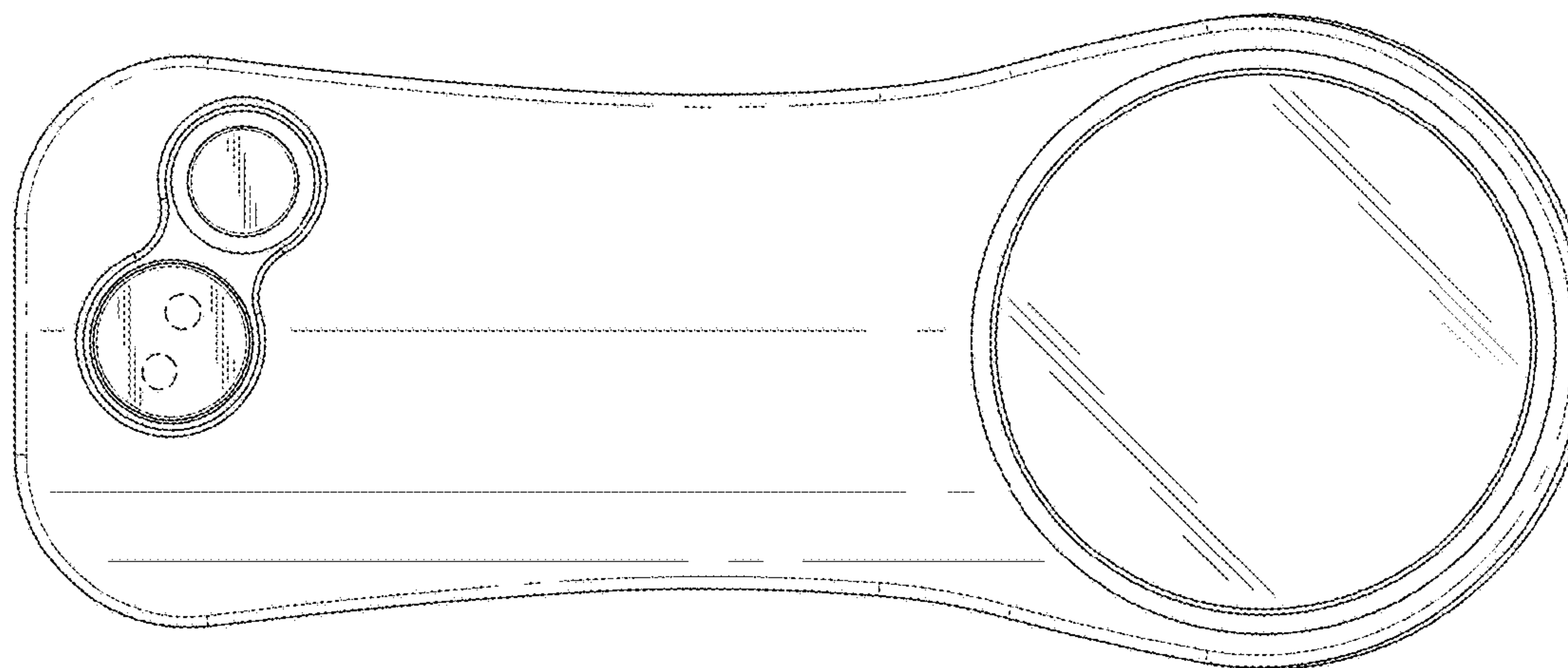


FIG. 2

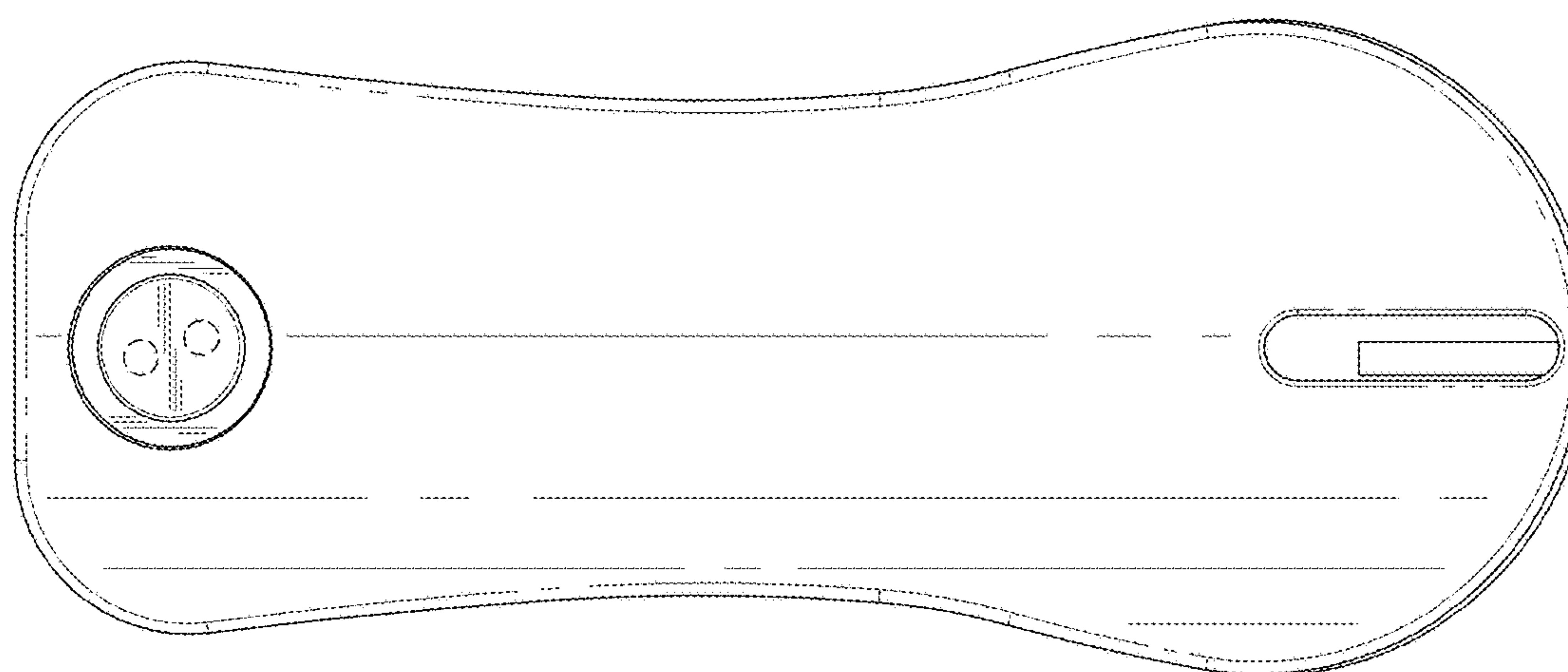


FIG. 3

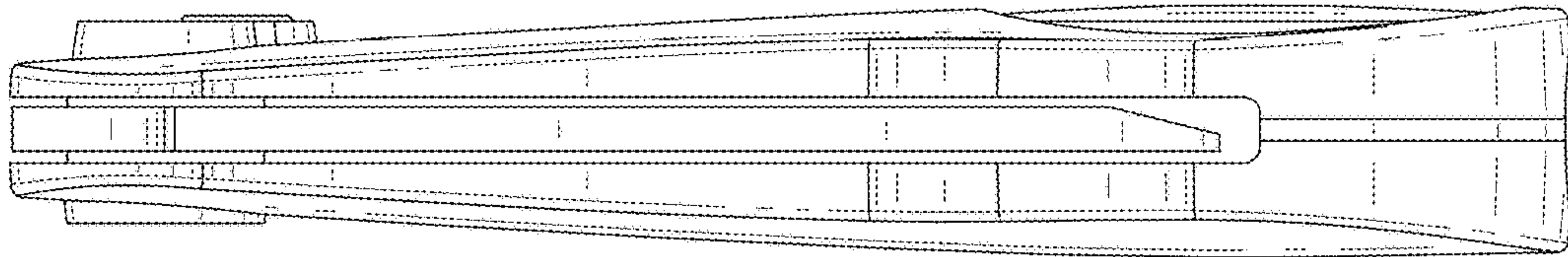


FIG. 4

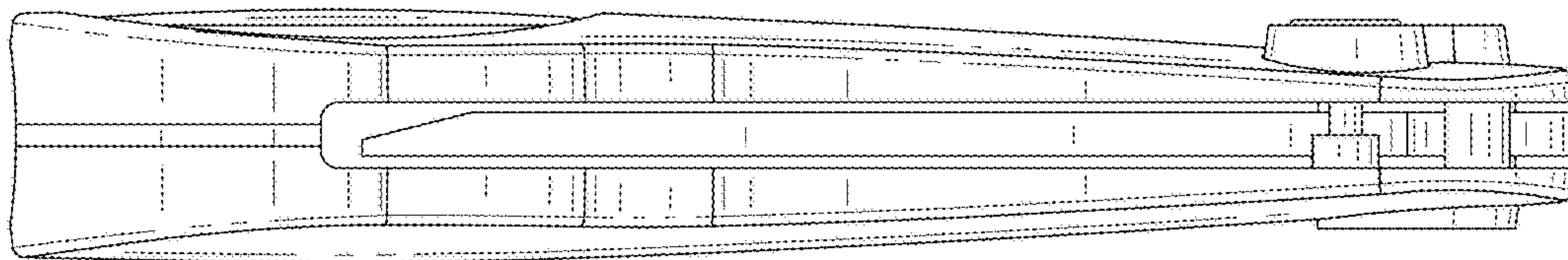


FIG. 5

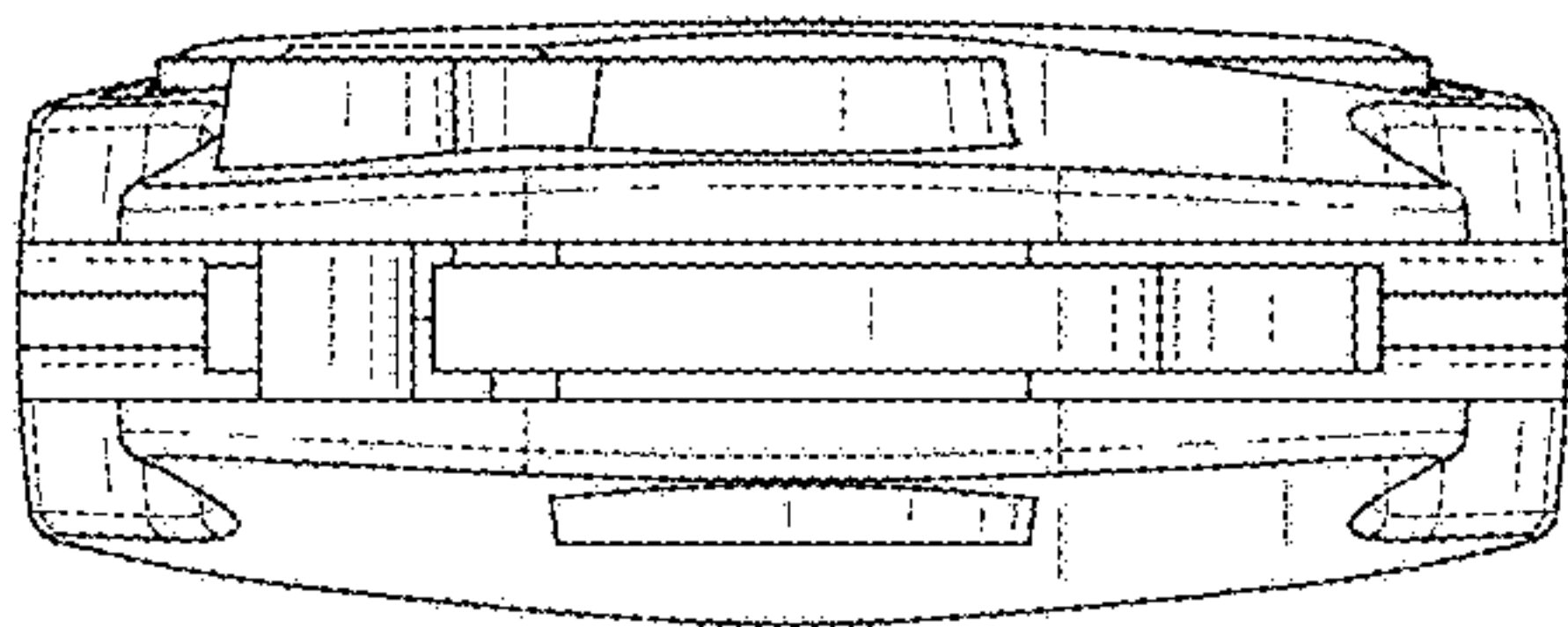


FIG. 6

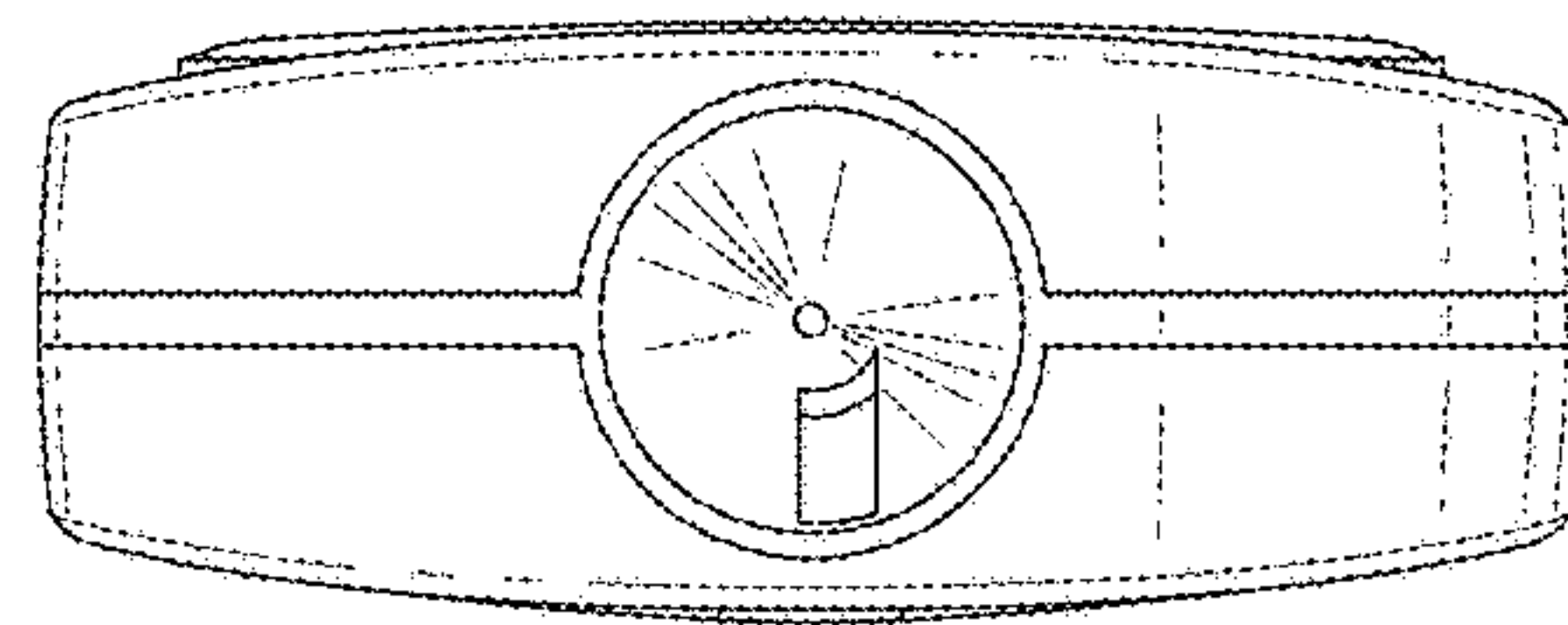


FIG. 7

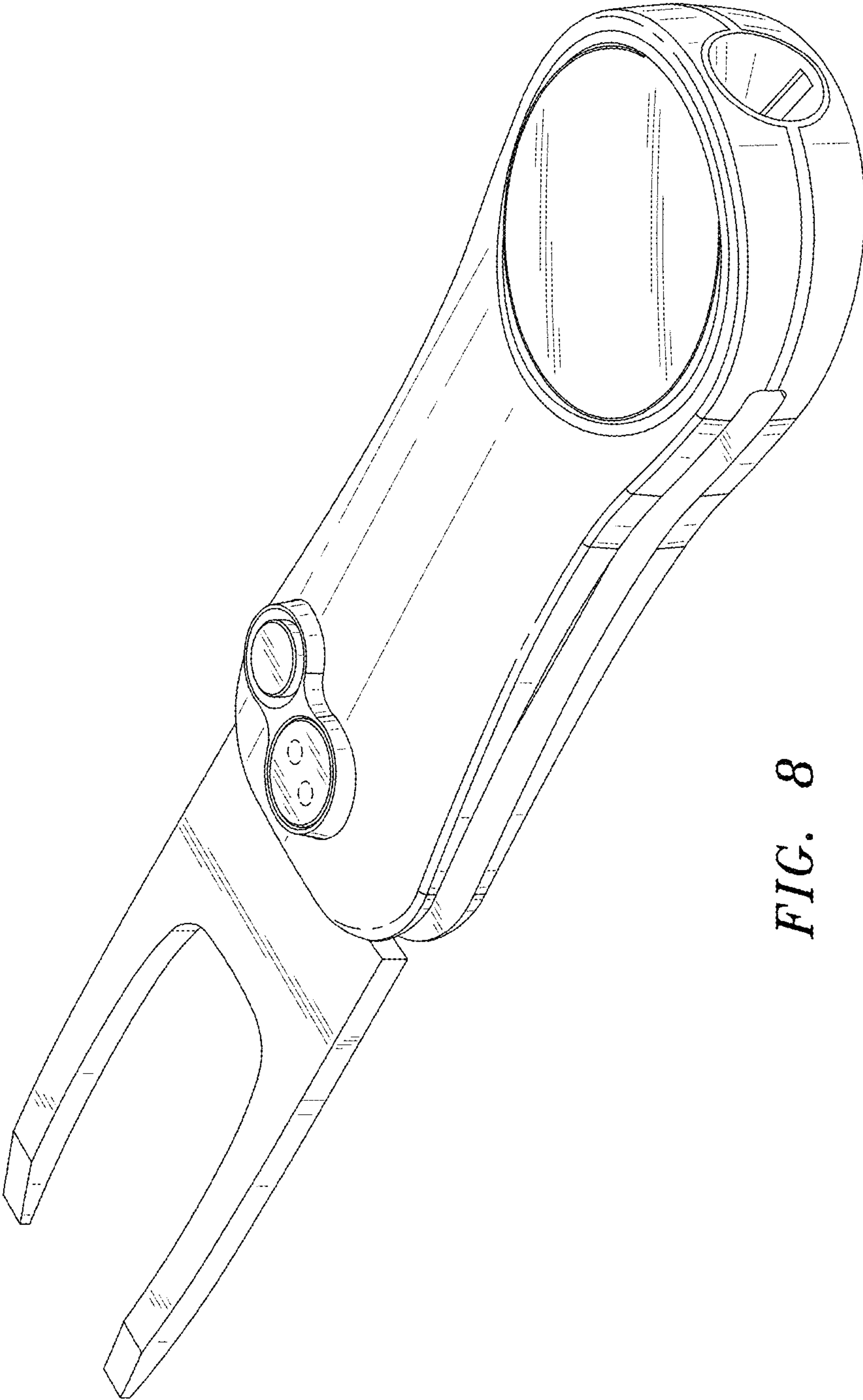


FIG. 8