



US00D823412S

(12) **United States Design Patent**  
**Seagram et al.**

(10) **Patent No.:** **US D823,412 S**

(45) **Date of Patent:** **\*\* Jul. 17, 2018**

- (54) **GOLF CLUB HEAD**
- (71) Applicant: **DUNLOP SPORTS CO. LTD.**,  
Kobe-shi, Hyogo (JP)
- (72) Inventors: **Phillip C. Seagram**, Huntington Beach,  
CA (US); **Mika Becktor**, New York,  
NY (US)
- (73) Assignee: **DUNLOP SPORTS CO. LTD.**, Kobe  
(JP)
- (\*\*) Term: **15 Years**
- (21) Appl. No.: **29/606,989**
- (22) Filed: **Jun. 9, 2017**
- (51) **LOC (11) Cl.** ..... **21-02**
- (52) **U.S. Cl.**  
USPC ..... **D21/759**
- (58) **Field of Classification Search**  
USPC ..... D21/736-746, 759  
CPC ..... A63B 53/00; A63B 53/04; A63B 53/007;  
A63B 53/065; A63B 53/0487; A63B  
60/00; A63B 60/46  
See application file for complete search history.

D322,829 S *	12/1991	Antonious	.....	D21/742
D325,950 S *	5/1992	Duran	.....	D21/744
5,417,429 A *	5/1995	Strand	.....	A63B 69/3685 473/251
D360,669 S *	7/1995	Buscemi	.....	D21/743
D777,268 S *	1/2017	Becktor	.....	D21/742
D779,606 S *	2/2017	Becktor	.....	D21/742
D799,616 S *	10/2017	Becktor	.....	D21/742
D799,617 S *	10/2017	Becktor	.....	D21/742
D799,618 S *	10/2017	Becktor	.....	D21/759
D803,334 S *	11/2017	Becktor	.....	D21/742

\* cited by examiner

*Primary Examiner* — Mitchell I. Siegel  
(74) *Attorney, Agent, or Firm* — Oliff PLC

(57) **CLAIM**

The ornamental design for a golf club head, as shown and described.

**DESCRIPTION**

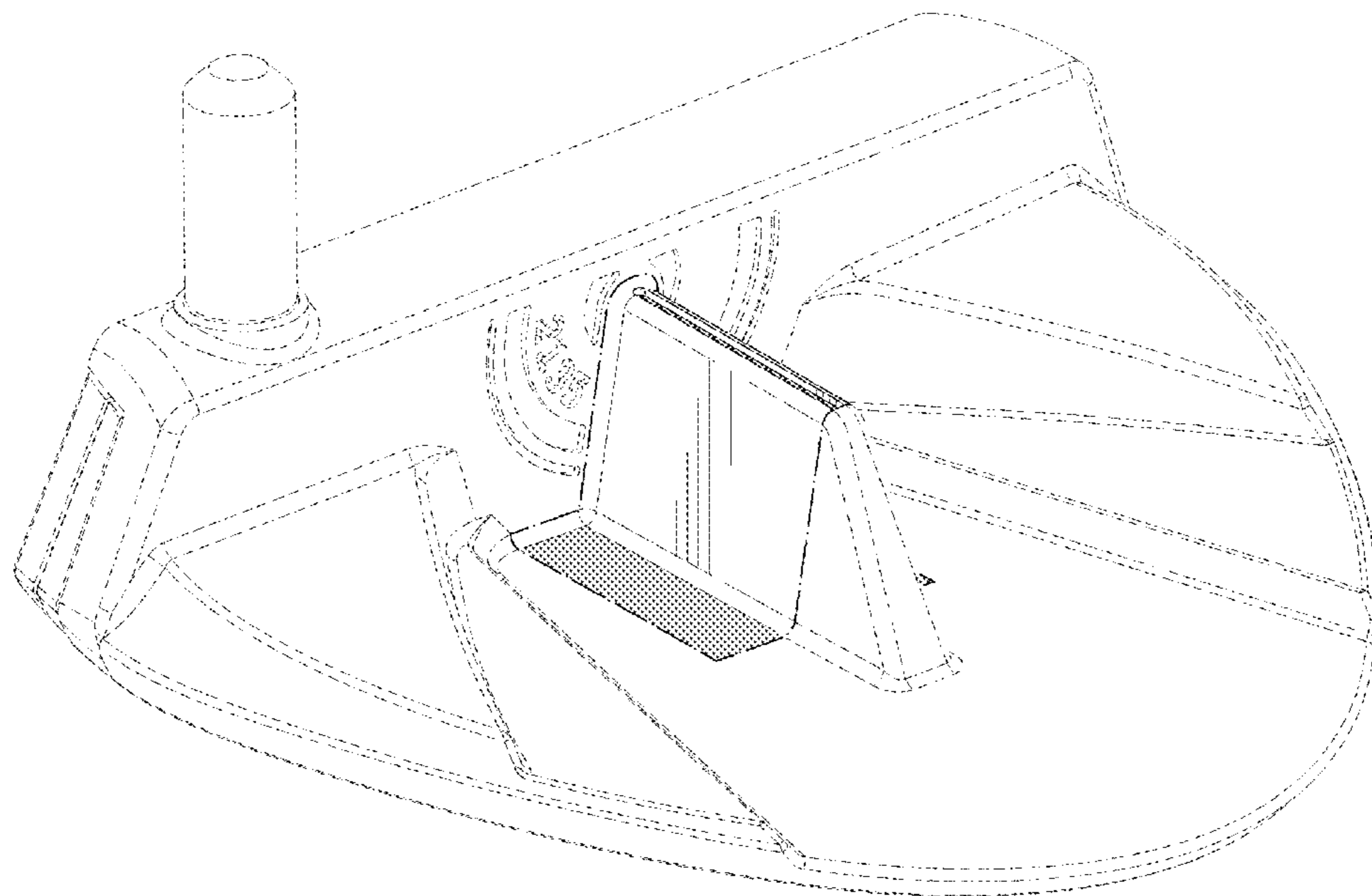
FIG. 1 is a front, heel-side, top, perspective view of the golf club head;  
 FIG. 2 is a rear, heel-side, top perspective view thereof;  
 FIG. 3 is a top plan view thereof;  
 FIG. 4 is a heel-side elevational view thereof; and,  
 FIG. 5 is a toe-side elevational view thereof.  
 The dot-dash chain lines depict boundaries of the claimed subject matter, and thus form no part of the claimed design. The broken lines depict unclaimed parts of the golf club head, and thus form no part of the claimed design. The contrast in shading represents a contrast in appearance only and does not represent any particular color, material, texture or finish.

**1 Claim, 4 Drawing Sheets**

(56) **References Cited**

**U.S. PATENT DOCUMENTS**

D228,930 S *	10/1973	Leigh	.....	473/255
D291,343 S *	8/1987	Shearer	.....	D21/744
D297,445 S *	8/1988	Shearer	.....	D21/743
D297,446 S *	8/1988	Shearer	.....	D21/743
D297,964 S *	10/1988	Shearer	.....	D21/743



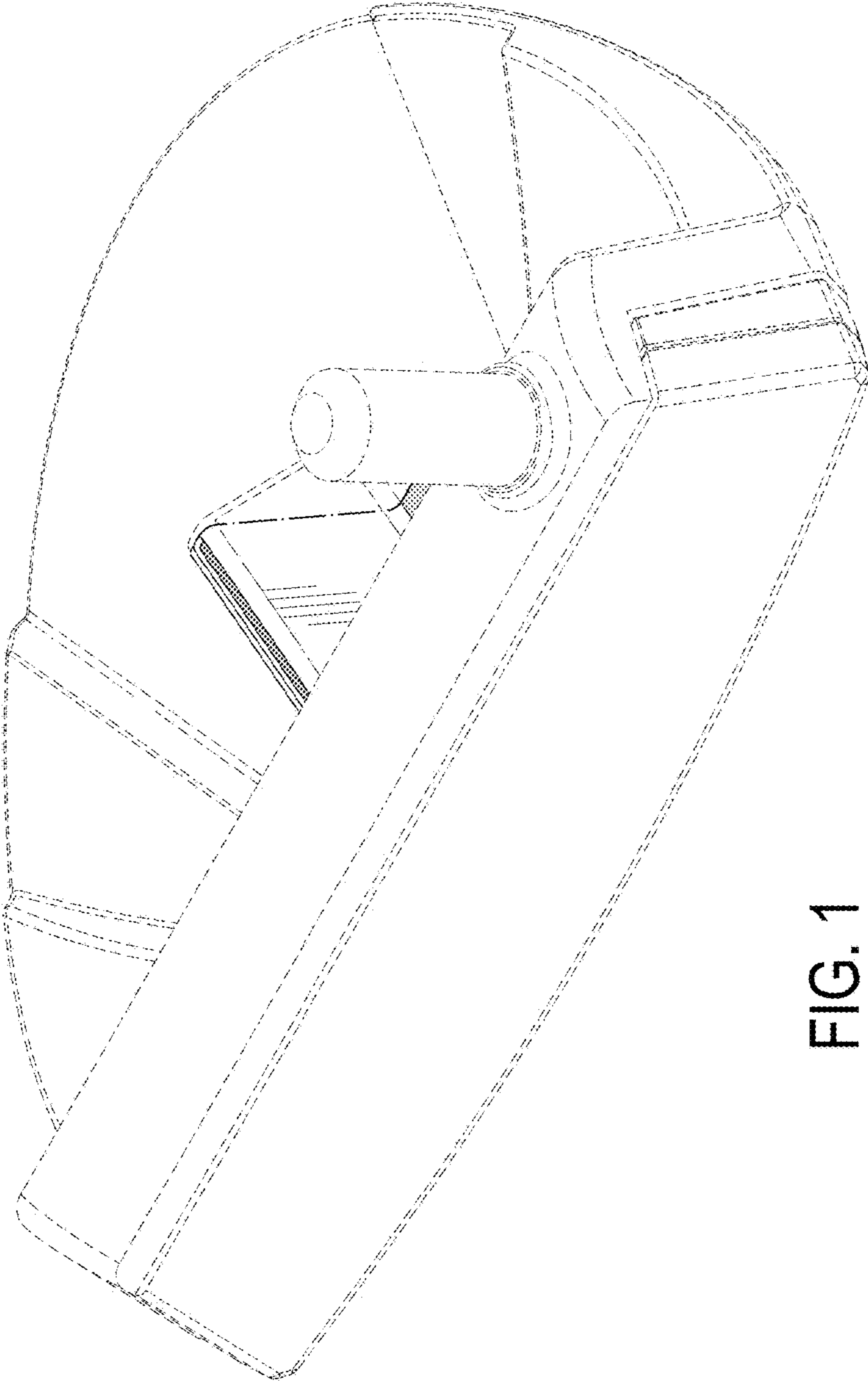


FIG. 1

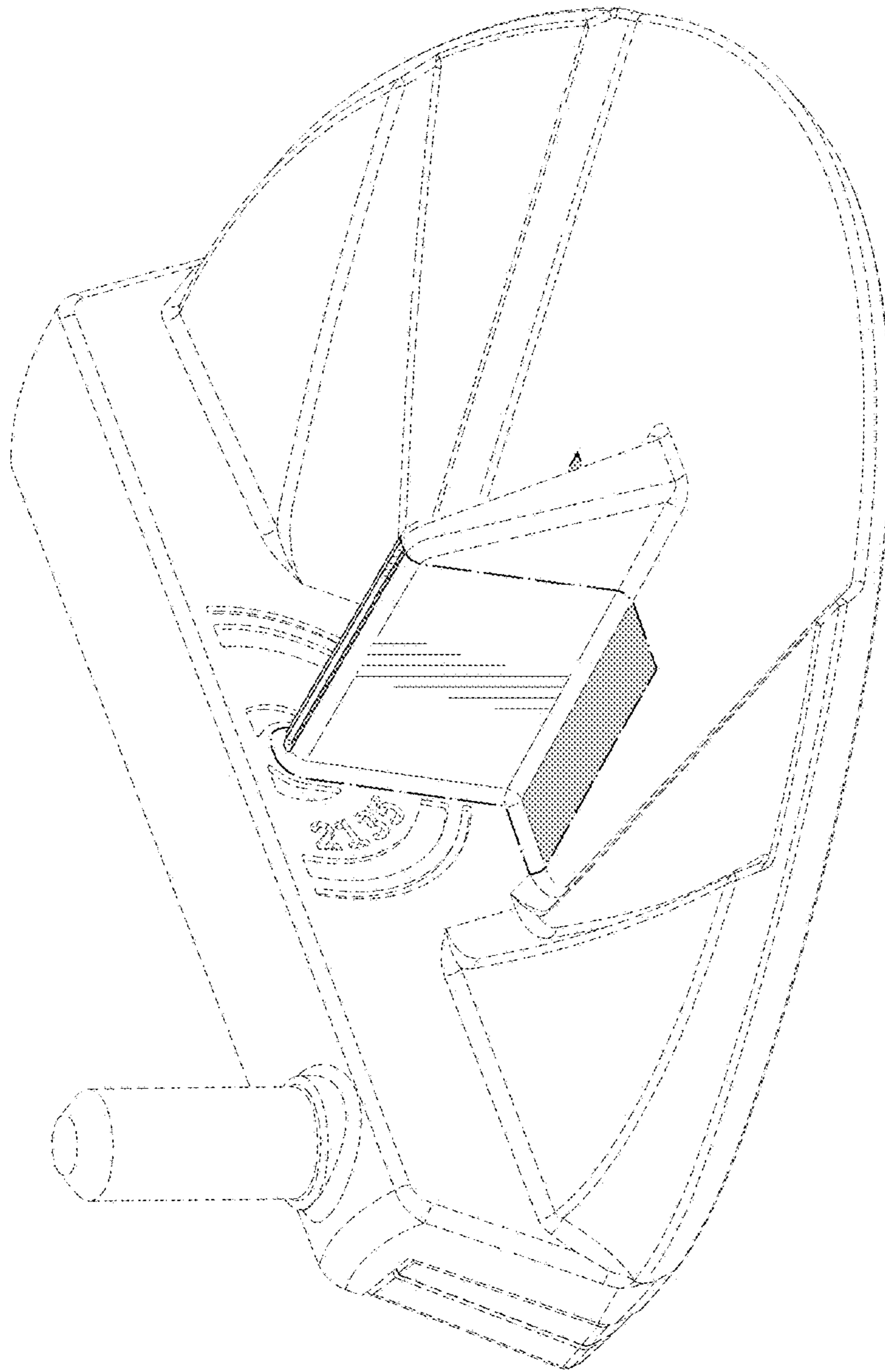


FIG. 2

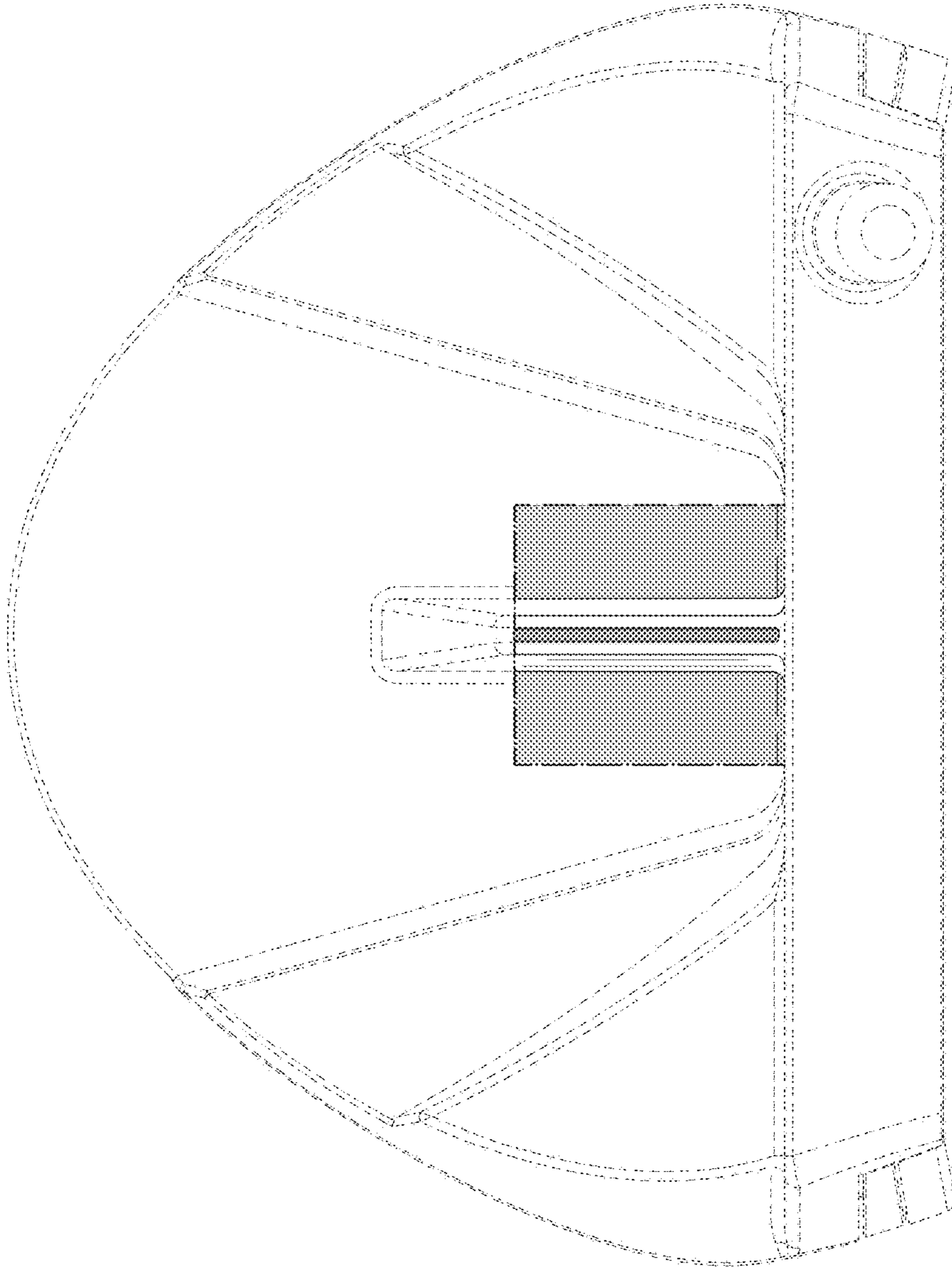


FIG. 3

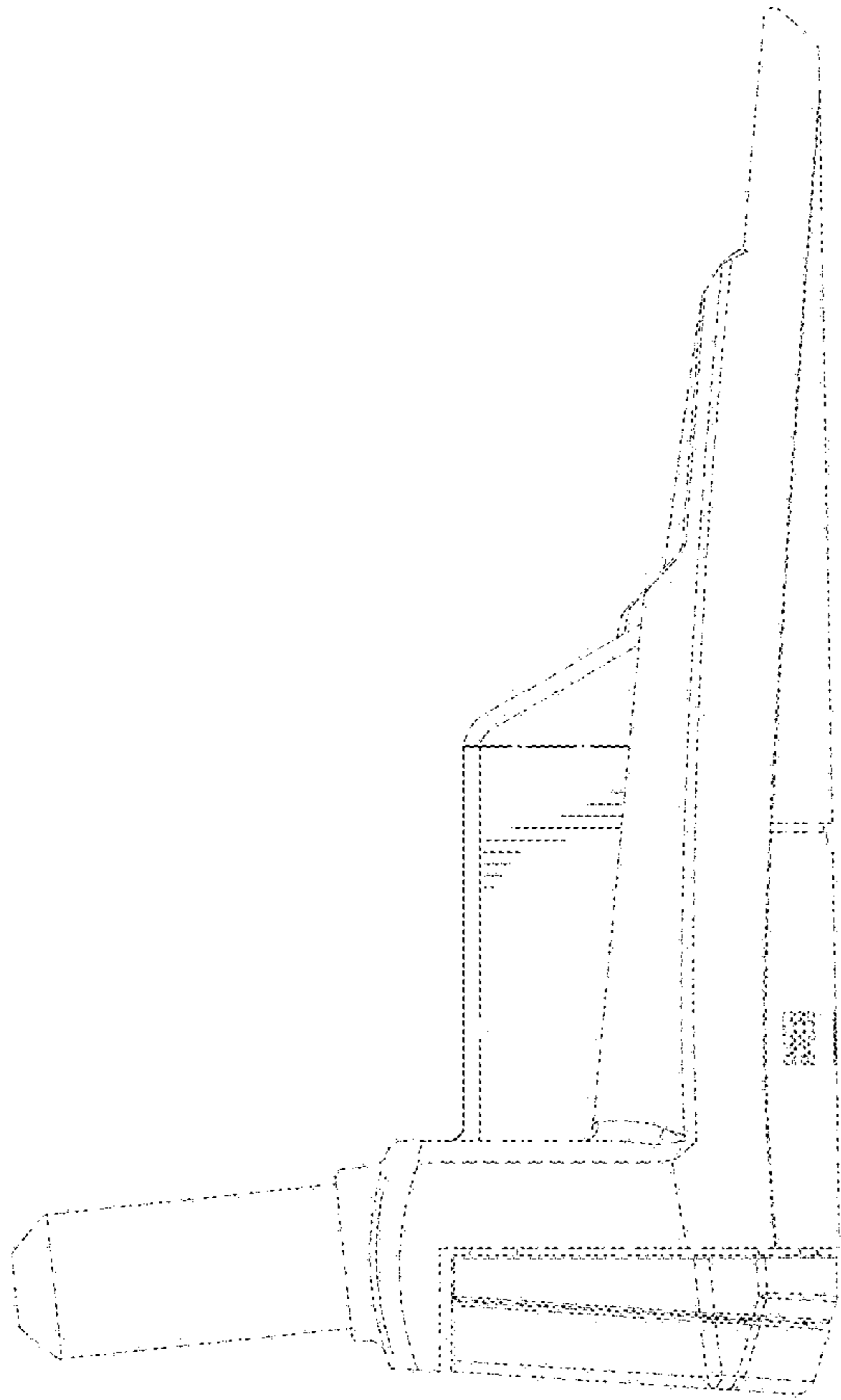


FIG. 4

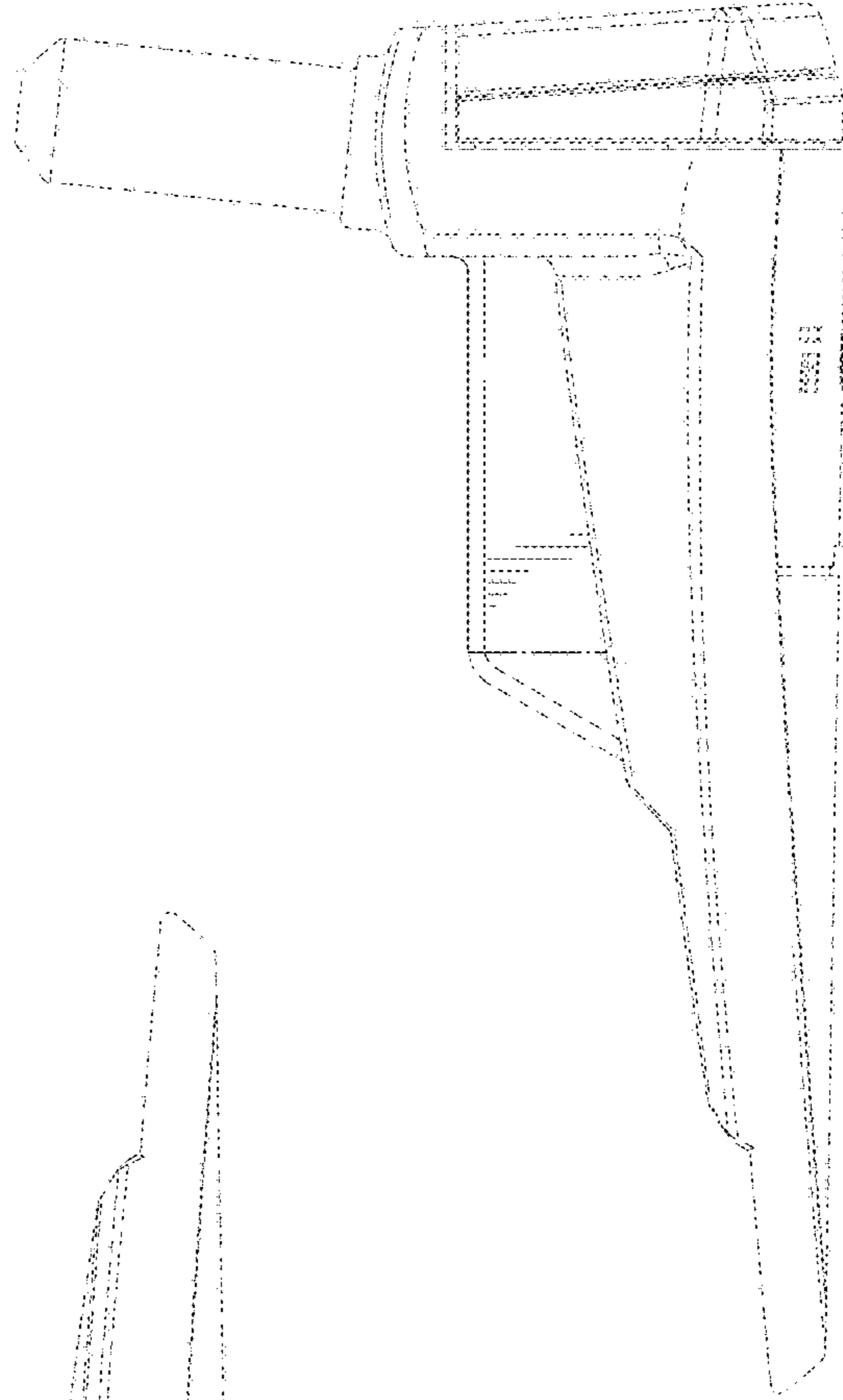


FIG. 5