



US00D823411S

(12) **United States Design Patent**
Seagram

(10) **Patent No.:** **US D823,411 S**

(45) **Date of Patent:** **** Jul. 17, 2018**

(54) **GOLF CLUB HEAD**

(71) Applicant: **DUNLOP SPORTS CO. LTD.**, Kobe,
Hyogo (JP)

(72) Inventor: **Phillip C. Seagram**, Huntington Beach,
CA (US)

(73) Assignee: **DUNLOP SPORTS CO., LTD.**, Kobe
(JP)

(**) Term: **15 Years**

(21) Appl. No.: **29/606,987**

(22) Filed: **Jun. 9, 2017**

(51) **LOC (11) Cl.** **21-02**

(52) **U.S. Cl.**
USPC **D21/759**

(58) **Field of Classification Search**
USPC D21/736-746, 759
CPC A63B 53/00; A63B 53/04; A63B 53/007;
A63B 53/065; A63B 53/0487; A63B
60/00; A63B 60/46
See application file for complete search history.

(56) **References Cited**

U.S. PATENT DOCUMENTS

D233,454 S	*	10/1974	Winter	D21/746
D297,964 S	*	10/1988	Shearer	D21/743
D337,803 S	*	7/1993	Sillers	D21/741
5,417,429 A	*	5/1995	Strand	A63B 69/3685 473/251
D428,457 S	*	7/2000	Rollinson	D21/743
D527,433 S	*	8/2006	Hueber	D21/743

D634,381 S	*	3/2011	Cardani	D21/736
D635,625 S	*	4/2011	Rollinson	D21/743
D670,774 S	*	11/2012	Seiff	D21/736
D720,024 S	*	12/2014	Rollinson	D21/736
D720,411 S	*	12/2014	Rollinson	D21/743
D720,412 S	*	12/2014	Rollinson	D21/743
D759,173 S	*	6/2016	Rollinson	D21/743
D768,247 S	*	10/2016	Rollinson	D21/744
D769,995 S	*	10/2016	Rollinson	D21/744
D776,219 S	*	1/2017	Sheldon	D21/759
D777,268 S	*	1/2017	Becktor	D21/742
D799,616 S	*	10/2017	Becktor	D21/742
D803,334 S	*	11/2017	Becktor	D21/742

* cited by examiner

Primary Examiner — Mitchell I. Siegel

(74) *Attorney, Agent, or Firm* — Oliff PLC

(57) **CLAIM**

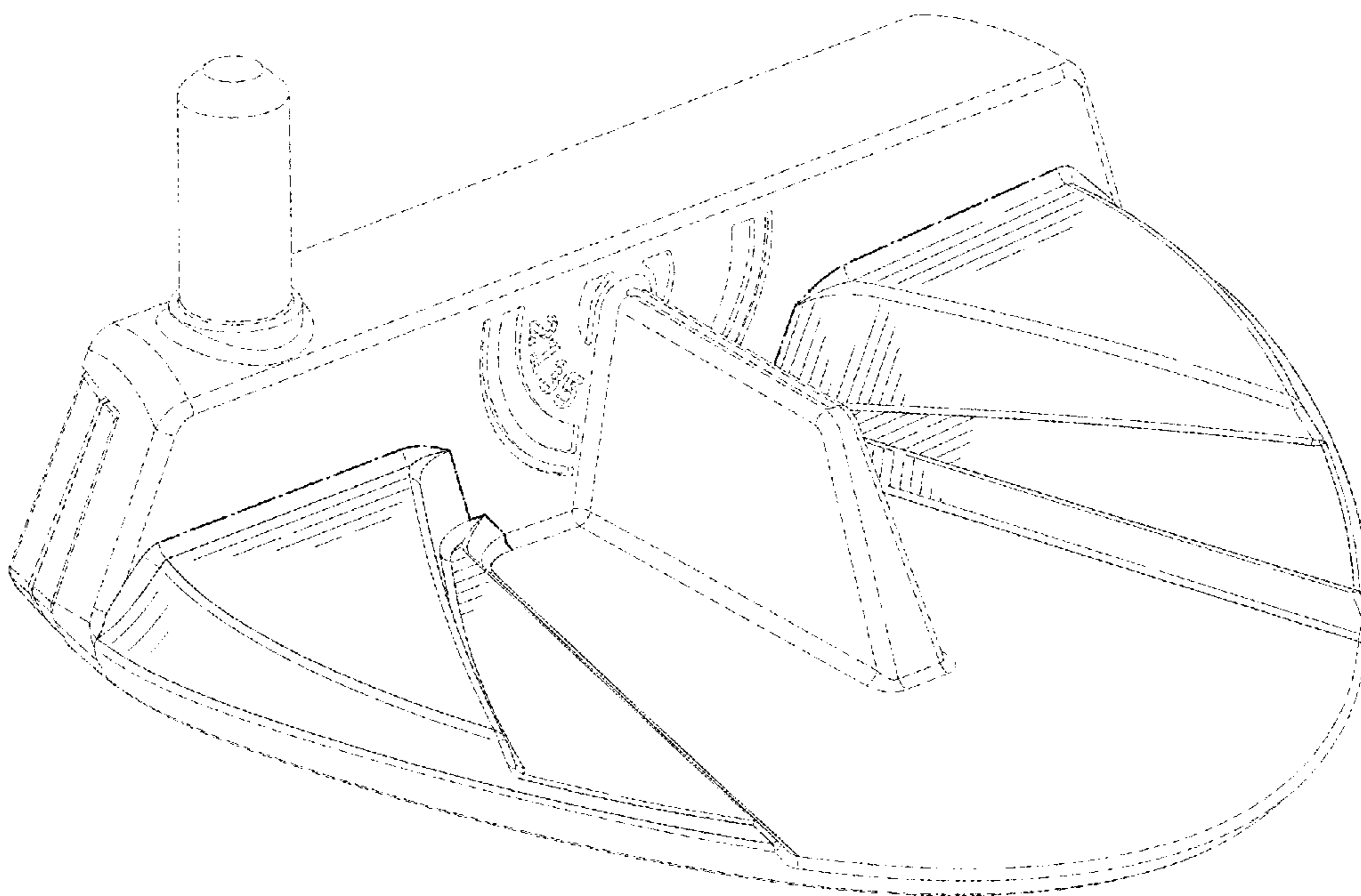
The ornamental design for a golf club head, as shown and described.

DESCRIPTION

FIG. 1 is a front, heel-side, top, perspective view of the golf club head;
 FIG. 2 is a rear, heel-side, top perspective view thereof;
 FIG. 3 is a top plan view thereof;
 FIG. 4 is a heel-side elevational view thereof;
 FIG. 5 is a toe-side elevational view thereof; and,
 FIG. 6 is a rear elevational view thereof.

The dot-dash chain lines depict boundaries of the claimed subject matter, and thus form no part of the claimed design. The broken lines depict unclaimed parts of the golf club head, and thus form no part of the claimed design.

1 Claim, 5 Drawing Sheets



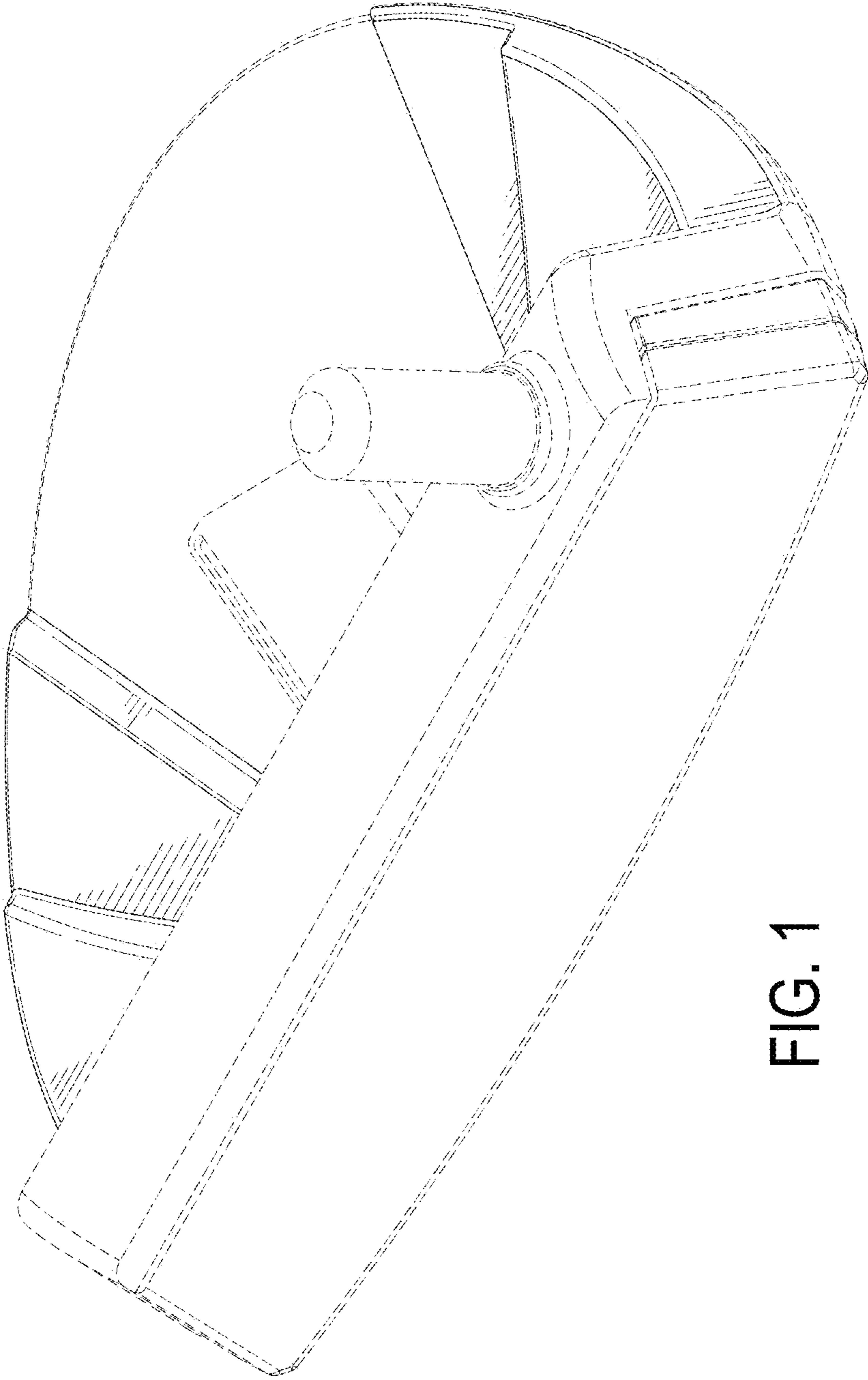


FIG. 1

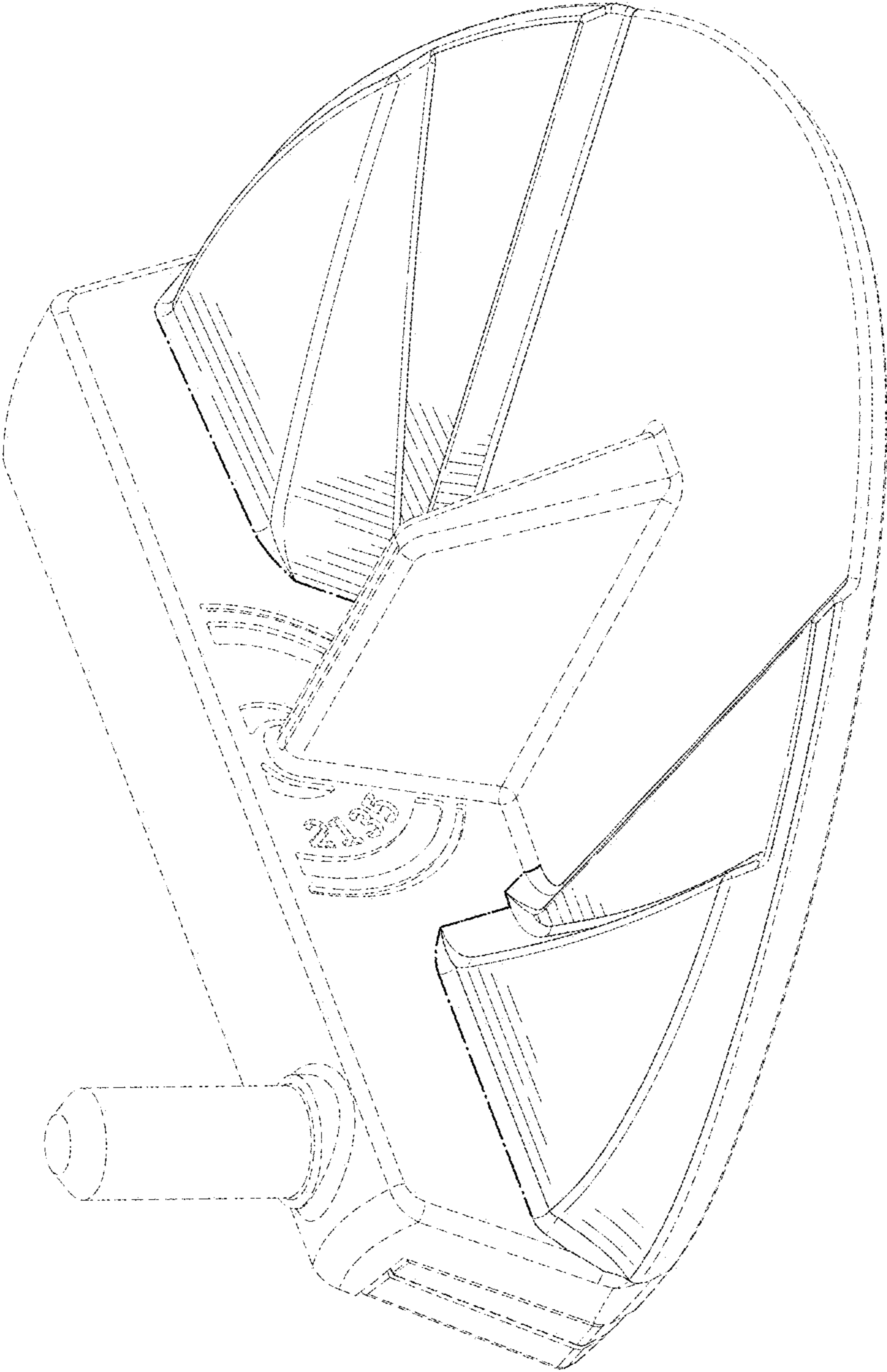


FIG. 2

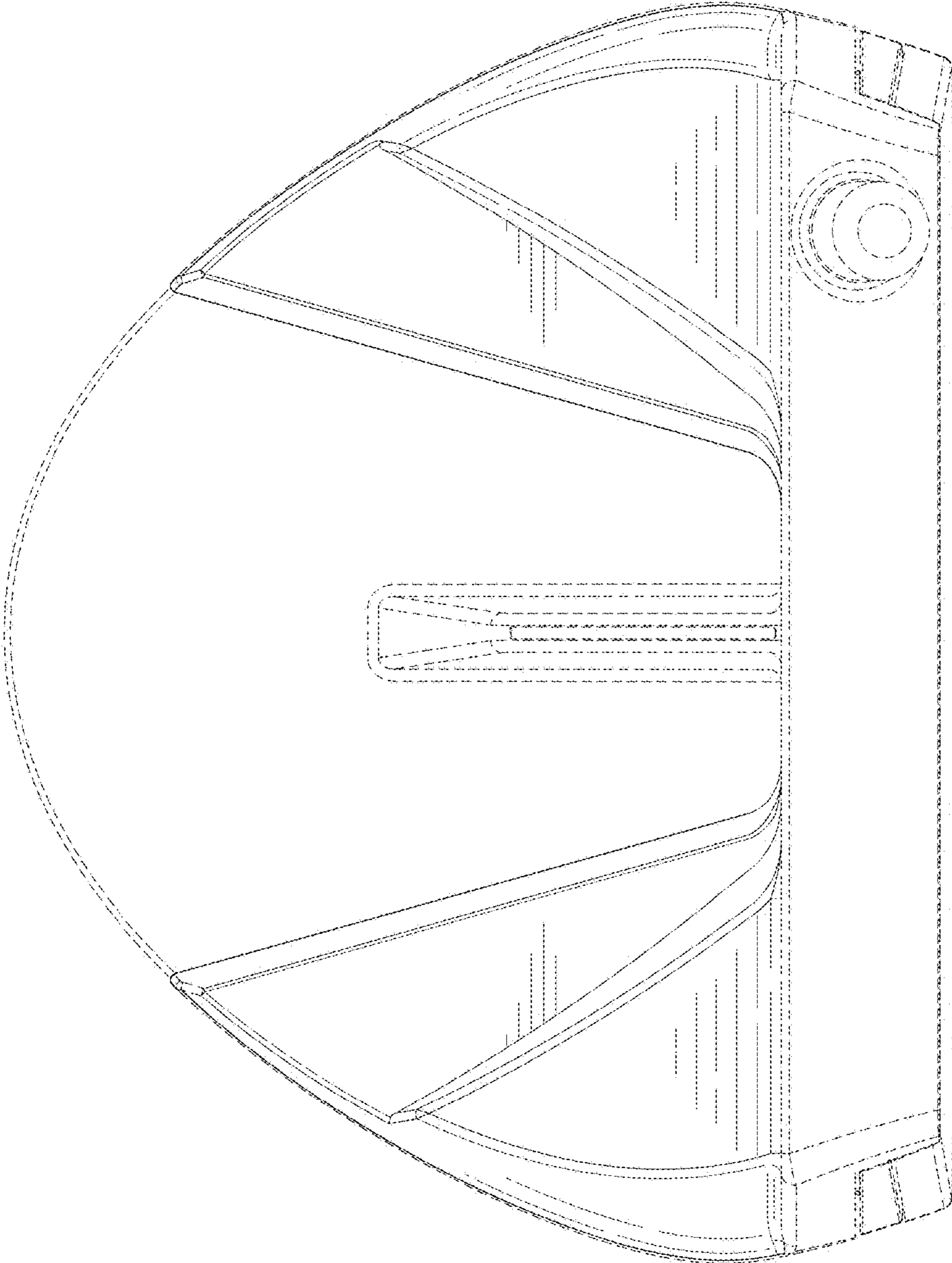


FIG. 3

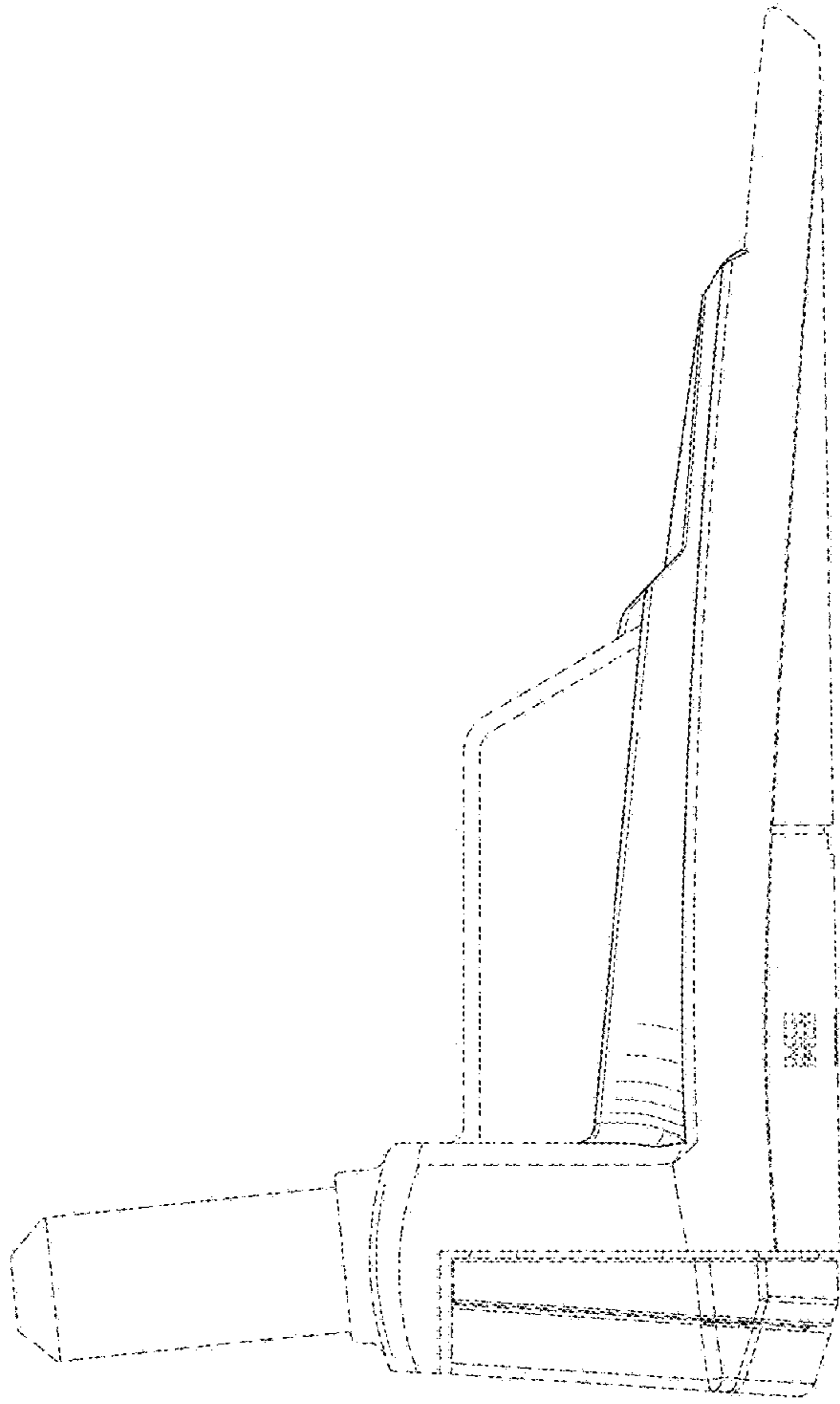


FIG. 4

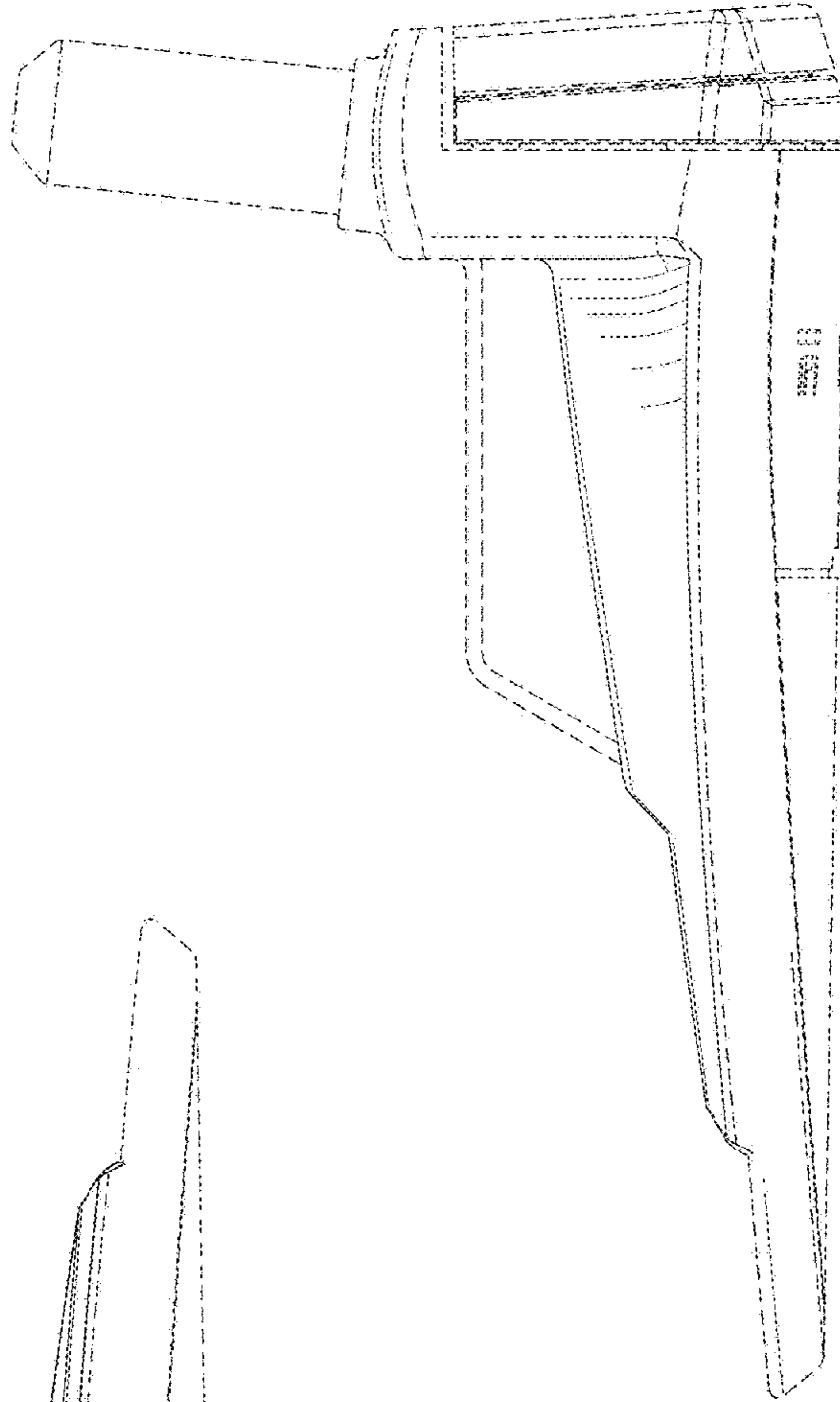


FIG. 5

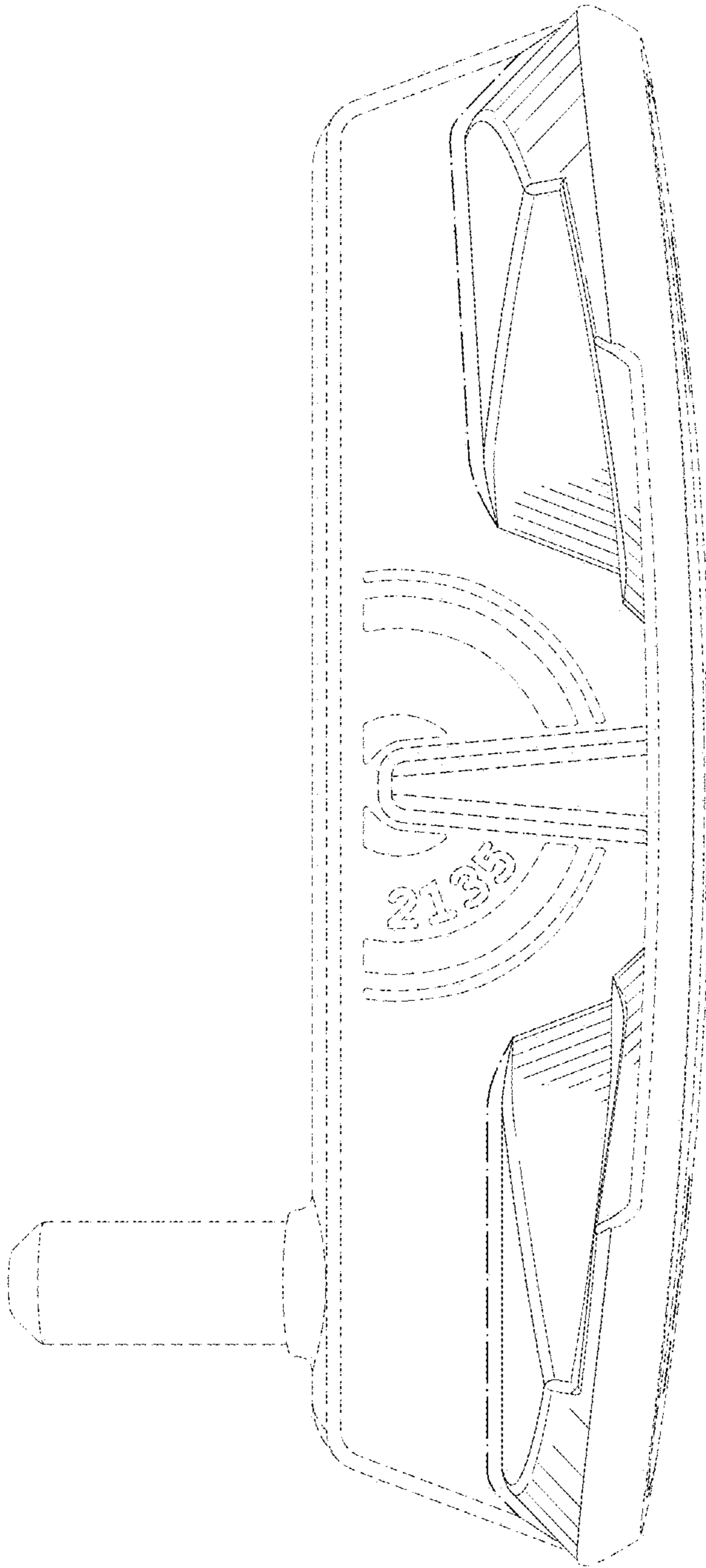


FIG. 6