



US00D823406S

(12) **United States Design Patent**
Oyler

(10) **Patent No.:** **US D823,406 S**

(45) **Date of Patent:** **** Jul. 17, 2018**

(54) **GOLF CLUB HEAD**

(71) Applicant: **Golf Tailor, LLC**, Edmond, OK (US)

(72) Inventor: **Tim Oyler**, Edmond, OK (US)

(73) Assignee: **Golf Tailor, LLC**, Edmond, OK (US)

(**) Term: **15 Years**

(21) Appl. No.: **29/599,251**

(22) Filed: **Mar. 31, 2017**

(51) **LOC (11) Cl.** **21-02**

(52) **U.S. Cl.**
USPC **D21/747**

(58) **Field of Classification Search**
USPC D21/747-751, 759
CPC A63B 53/00; A63B 53/02; A63B 53/04;
A63B 53/047; A63B 53/0475; A63B
2053/0479; A63B 2053/0483; A63B
2053/0445; A63B 60/00; A63B 60/46
See application file for complete search history.

(56) **References Cited**

U.S. PATENT DOCUMENTS

| | | | |
|-----------|---|---------|---------------|
| 1,089,881 | A | 3/1914 | Taylor |
| 1,669,482 | A | 5/1928 | Miller |
| 1,695,598 | A | 12/1928 | MacClain |
| 1,975,822 | A | 10/1934 | Young |
| D228,564 | S | 10/1973 | Braly |
| 3,810,631 | A | 5/1974 | Braly |
| 3,830,503 | A | 8/1974 | Consoli |
| 3,862,759 | A | 1/1975 | Evans et al. |
| 4,231,576 | A | 11/1980 | Perkins |
| 4,332,388 | A | 6/1982 | Crow |
| D266,344 | S | 9/1982 | Duclos |
| D271,784 | S | 12/1983 | Caskey et al. |
| D301,907 | S | 6/1989 | Muta |
| D303,132 | S | 8/1989 | Muta |
| D318,087 | S | 7/1991 | Helmstetter |
| D327,522 | S | 6/1992 | Antonious |

| | | | |
|----------|---|--------|-----------|
| D327,724 | S | 7/1992 | Antonious |
| D328,482 | S | 8/1992 | Antonious |
| D328,483 | S | 8/1992 | Antonious |
| D328,628 | S | 8/1992 | Antonious |
| D329,676 | S | 9/1992 | Antonious |
| D329,905 | S | 9/1992 | Antonious |

(Continued)

FOREIGN PATENT DOCUMENTS

| | | |
|----|---------|--------|
| CA | 636938 | 1/2009 |
| CA | 2791280 | 6/2013 |

(Continued)

Primary Examiner — Mitchell I. Siegel

(74) *Attorney, Agent, or Firm* — Caesar Rivise, PC

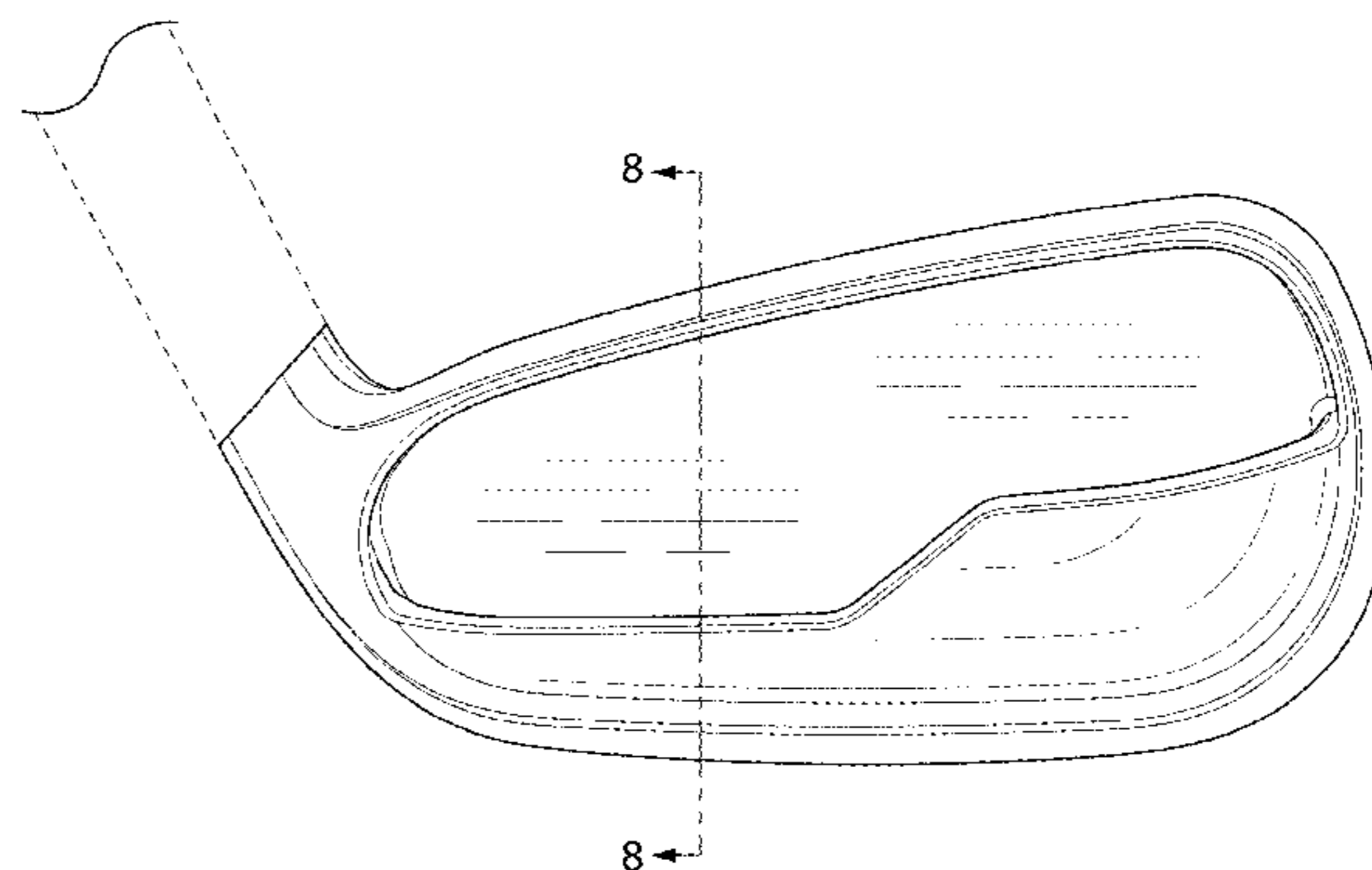
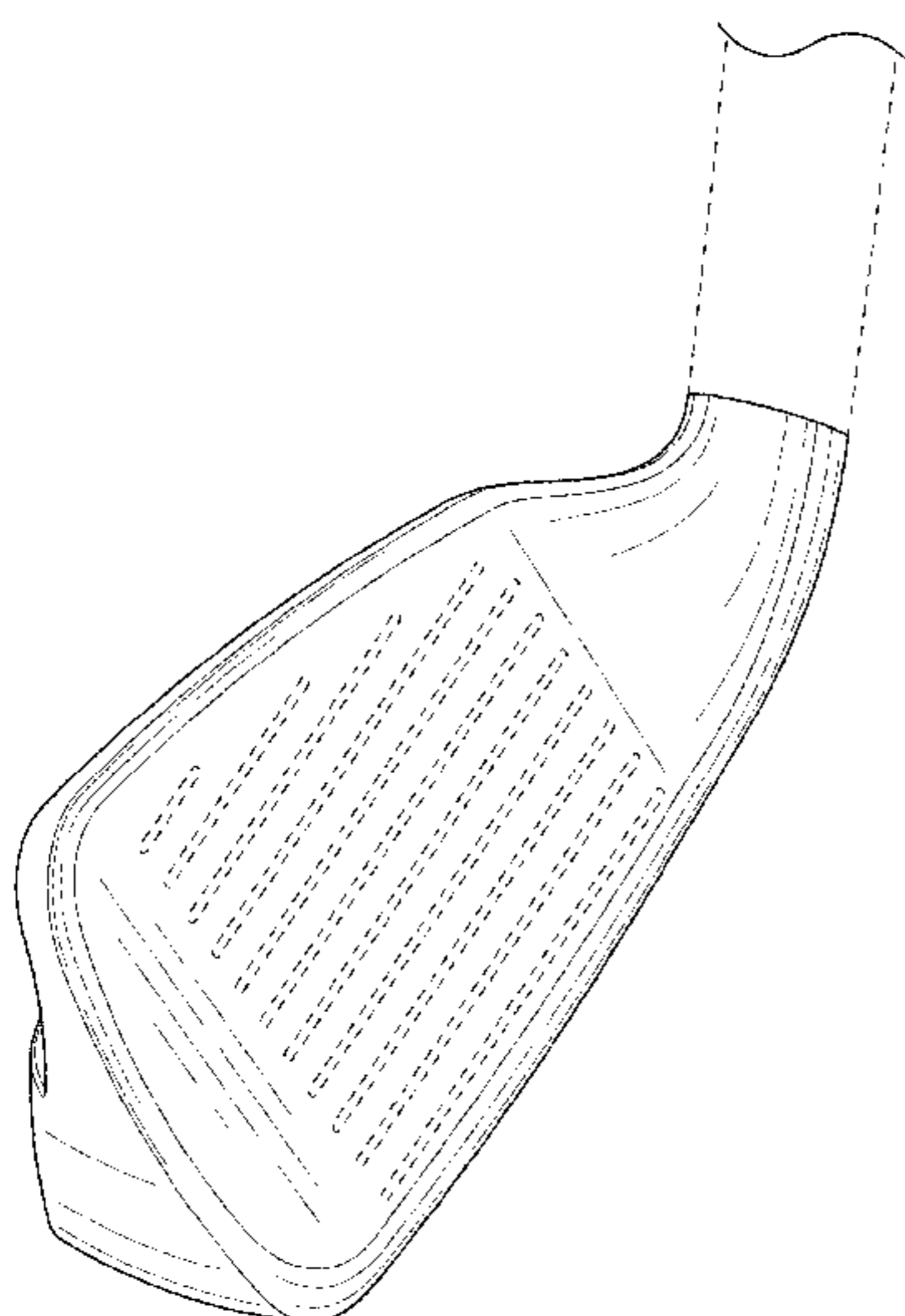
(57) **CLAIM**

The ornamental design for the golf club head, as shown and described.

DESCRIPTION

FIG. 1 is a front isometric view of a golf club head showing my new design;
 FIG. 2 is a front elevational view of the golf club head of FIG. 1;
 FIG. 3 is a rear elevational view of the golf club head of FIG. 1;
 FIG. 4 is a right side elevational view of the golf club head of FIG. 1;
 FIG. 5 is left side elevational view of the golf club head of FIG. 1;
 FIG. 6 is top plan view of the golf club head of FIG. 1;
 FIG. 7 is a bottom plan view of the golf club head of FIG. 1; and,
 FIG. 8 is a cross-sectional view taken on line 8-8 of FIG. 3. The features shown in broken lines in the drawing depict portions of the design that form no part of the claimed design.

1 Claim, 5 Drawing Sheets



(56)

References Cited

U.S. PATENT DOCUMENTS

| | | | | | | | |
|--------------|---------|-------------------|---------|-----------------|---------|-----------------------|--|
| D330,400 S | 10/1992 | Antonious | | D580,504 S | 11/2008 | Bosilkovski et al. | |
| 5,160,136 A | 11/1992 | Eger | | D583,888 S | 12/2008 | Nehrbas | |
| D332,476 S | 1/1993 | Dauguard | | D585,101 S | 1/2009 | Glod | |
| 5,213,329 A | 5/1993 | Okumoto et al. | | D586,416 S | 2/2009 | Kohno | |
| D339,183 S | 9/1993 | Stites, III | | 7,500,926 B2 | 3/2009 | Rae et al. | |
| 5,280,911 A | 1/1994 | Katayama | | 7,563,178 B2 | 7/2009 | Rae et al. | |
| D344,118 S | 2/1994 | Lin | | D598,510 S | 8/2009 | Barez et al. | |
| D345,403 S | 3/1994 | Sanchez | | D603,918 S | 11/2009 | Simon et al. | |
| D357,045 S | 4/1995 | Simmons | | 7,618,330 B2 | 11/2009 | Krewalk et al. | |
| 5,413,336 A | 5/1995 | Iwanaga | | D614,710 S * | 4/2010 | Kim D21/747 | |
| 5,447,307 A | 9/1995 | Antonious | | D615,139 S | 5/2010 | Kim et al. | |
| D362,885 S * | 10/1995 | Blough | D21/747 | D616,512 S | 5/2010 | Mickelson et al. | |
| D364,206 S | 11/1995 | Schmidt et al. | | D617,403 S | 6/2010 | Llewellyn et al. | |
| D364,435 S * | 11/1995 | Wood | D21/750 | D617,858 S | 6/2010 | Llewellyn et al. | |
| D365,865 S | 1/1996 | Antonious | | D618,293 S * | 6/2010 | Foster D21/747 | |
| D366,682 S | 1/1996 | Antonious | | D618,745 S | 6/2010 | Breier et al. | |
| 5,480,145 A | 1/1996 | Sherwood | | 7,789,773 B2 | 9/2010 | Rae et al. | |
| D368,945 S | 4/1996 | Iinuma et al. | | D637,671 S | 5/2011 | Kim et al. | |
| D370,514 S * | 6/1996 | Blough | D21/750 | D638,894 S | 5/2011 | Potter | |
| D371,181 S | 6/1996 | Antonious | | D641,818 S | 7/2011 | Foster et al. | |
| D371,182 S | 6/1996 | Stites | | D644,283 S | 8/2011 | Sargent et al. | |
| 5,524,890 A | 6/1996 | Kim et al. | | D647,583 S | 10/2011 | Foster et al. | |
| D371,816 S | 7/1996 | Yoshioka | | D647,584 S | 10/2011 | Foster | |
| D376,632 S | 12/1996 | Simmons | | D652,095 S | 1/2012 | Kim | |
| D377,509 S | 1/1997 | Katayama | | D652,880 S | 1/2012 | Foster et al. | |
| D380,031 S | 6/1997 | Huth et al. | | D656,210 S | 3/2012 | Foster | |
| D385,324 S | 10/1997 | Ubaney | | D659,213 S | 5/2012 | Schultz | |
| D388,142 S | 12/1997 | Miller | | 8,187,119 B2 | 5/2012 | Rae et al. | |
| D394,688 S | 5/1998 | Fox | | 8,192,304 B2 | 6/2012 | Rae et al. | |
| 5,762,566 A | 6/1998 | King et al. | | D663,370 S | 7/2012 | Kim et al. | |
| D398,355 S | 9/1998 | Chou et al. | | D669,547 S | 10/2012 | Kim et al. | |
| D398,682 S | 9/1998 | Moore | | D673,232 S | 12/2012 | Kim | |
| 5,803,830 A | 9/1998 | Austin et al. | | D681,757 S | 5/2013 | Foster | |
| D401,299 S | 11/1998 | Burrows | | D682,962 S | 5/2013 | Llewellyn et al. | |
| D404,783 S | 1/1999 | Best et al. | | 8,469,833 B1 | 6/2013 | Schultz | |
| 5,976,029 A | 11/1999 | Sherwood | | 8,529,369 B2 | 9/2013 | Rae et al. | |
| D418,183 S | 12/1999 | Takaoka et al. | | 8,574,094 B2 | 11/2013 | Nicolette et al. | |
| D428,632 S | 7/2000 | Besnard et al. | | D698,880 S | 2/2014 | Donaghue | |
| D429,300 S | 8/2000 | Cleveland et al. | | 8,657,700 B2 | 2/2014 | Nicolette et al. | |
| D438,277 S | 2/2001 | Hasebe | | 8,690,710 B2 | 4/2014 | Nicolette et al. | |
| D438,583 S | 3/2001 | O'Doherty et al. | | D707,772 S * | 6/2014 | Oldknow D21/759 | |
| D438,922 S | 3/2001 | Asabuld | | 8,753,229 B2 | 6/2014 | Rae et al. | |
| D438,924 S | 3/2001 | Asabuld | | 8,753,230 B2 | 6/2014 | Stokke et al. | |
| D441,818 S | 5/2001 | Sato | | 8,795,102 B2 | 8/2014 | Knight et al. | |
| D446,567 S | 8/2001 | Nagai et al. | | D718,399 S | 11/2014 | Glod | |
| D454,606 S * | 3/2002 | Helmstetter | D21/747 | D726,856 S | 4/2015 | Foster et al. | |
| D456,056 S | 4/2002 | Bakke | | D732,621 S * | 6/2015 | Dolezel D21/759 | |
| D457,211 S | 5/2002 | Bakke | | D733,821 S * | 7/2015 | Dolezel D21/759 | |
| D461,865 S | 8/2002 | Nagai et al. | | D733,824 S | 7/2015 | Tang et al. | |
| D485,878 S | 1/2004 | Tang | | 9,079,080 B2 | 7/2015 | Jertson et al. | |
| 6,780,121 B2 | 8/2004 | Herber | | D735,827 S | 8/2015 | Glod | |
| D505,465 S | 5/2005 | Liou | | D753,250 S * | 4/2016 | Song D21/749 | |
| D510,970 S | 10/2005 | Elias | | D760,333 S | 6/2016 | Harrington et al. | |
| D515,642 S | 2/2006 | Antonious | | D762,792 S | 8/2016 | Oliveiro et al. | |
| D515,643 S | 2/2006 | Antonious | | D763,375 S | 8/2016 | Chun | |
| D523,104 S | 6/2006 | Hasebe | | D765,803 S | 9/2016 | Oliveiro et al. | |
| D523,508 S | 6/2006 | Shenoha | | D766,388 S | 9/2016 | Wang | |
| D524,889 S | 7/2006 | Yu et al. | | D767,066 S * | 9/2016 | Asazuma D21/759 | |
| D531,245 S | 10/2006 | Shenoha | | D767,695 S | 9/2016 | Kitching, Jr. | |
| D531,686 S | 11/2006 | Mahaffey | | D776,772 S * | 1/2017 | Foster D21/759 | |
| D558,288 S | 12/2007 | Jertson et al. | | 9,561,405 B2 | 2/2017 | Rae et al. | |
| D561,280 S | 2/2008 | Rollinson | | D783,105 S | 4/2017 | Oyler | |
| D561,853 S | 2/2008 | Haralson et al. | | D789,469 S | 6/2017 | Oyler | |
| D562,421 S | 2/2008 | Jertson et al. | | D791,894 S | 7/2017 | Oyler | |
| D564,055 S | 3/2008 | Jertson et al. | | D792,538 S | 7/2017 | Oyler | |
| D569,465 S | 5/2008 | Yi et al. | | D793,503 S | 8/2017 | Oyler | |
| D569,934 S | 5/2008 | Jertson et al. | | D806,813 S * | 1/2018 | Song D21/747 | |
| D569,935 S | 5/2008 | Schweigert et al. | | 2009/0029791 A1 | 1/2009 | Solheim | |
| D570,937 S | 6/2008 | Schweigert et al. | | 2010/0279794 A1 | 11/2010 | Nicolette et al. | |
| D570,938 S | 6/2008 | Jertson et al. | | 2010/0279795 A1 | 11/2010 | Nicolette et al. | |
| D578,587 S | 10/2008 | Hoffman et al. | | 2010/0279796 A1 | 11/2010 | Nicolette et al. | |
| D579,064 S | 10/2008 | Beach et al. | | 2011/0101444 A1 | 8/2011 | Stokke et al. | |
| D579,065 S | 10/2008 | Yi et al. | | 2012/0077613 A1 | 3/2012 | Jertson et al. | |
| D579,066 S | 10/2008 | Dipert et al. | | 2014/0080621 A1 | 3/2014 | Nicolette et al. | |
| D579,067 S | 10/2008 | Hoffman et al. | | | | | |

(56)

References Cited

U.S. PATENT DOCUMENTS

2014/0128175 A1 5/2014 Jertson et al.
2014/0295985 A1 10/2014 Stokke et al.
2017/0100647 A1 4/2017 Rae et al.

FOREIGN PATENT DOCUMENTS

| | | |
|----|--------------|---------|
| CN | 3210548 | 11/2001 |
| CN | 3582615 | 11/2006 |
| CN | 3624290 | 3/2007 |
| CN | 3643759 | 5/2007 |
| CN | 36434760 | 5/2007 |
| CN | 300706726 | 11/2007 |
| CN | 101204618 | 6/2008 |
| CN | 101204619 | 6/2008 |
| CN | 101234245 | 8/2008 |
| CN | 300828316 | 9/2008 |
| CN | 300868203 | 12/2008 |
| CN | 300897424 | 3/2009 |
| CN | 300925138 | 5/2009 |
| CN | 300936653 | 6/2009 |
| CN | 300998462 | 9/2009 |
| CN | 301005868 | 9/2009 |
| CN | 301014169 | 9/2009 |
| CN | 301219322 S | 5/2010 |
| CN | 301458040 S | 2/2011 |
| CN | 301906999 S | 11/2011 |
| CN | 302203482 S | 11/2012 |
| CN | 302342357 S | 3/2013 |
| CN | 103127673 | 6/2013 |
| CN | 302773303 S | 3/2014 |
| CN | 302944574 S | 9/2014 |
| CN | 303199244 S | 5/2015 |
| GB | 2451318 | 1/2009 |
| GB | 2496719 | 5/2013 |
| WO | WO2012125177 | 9/2012 |

* cited by examiner

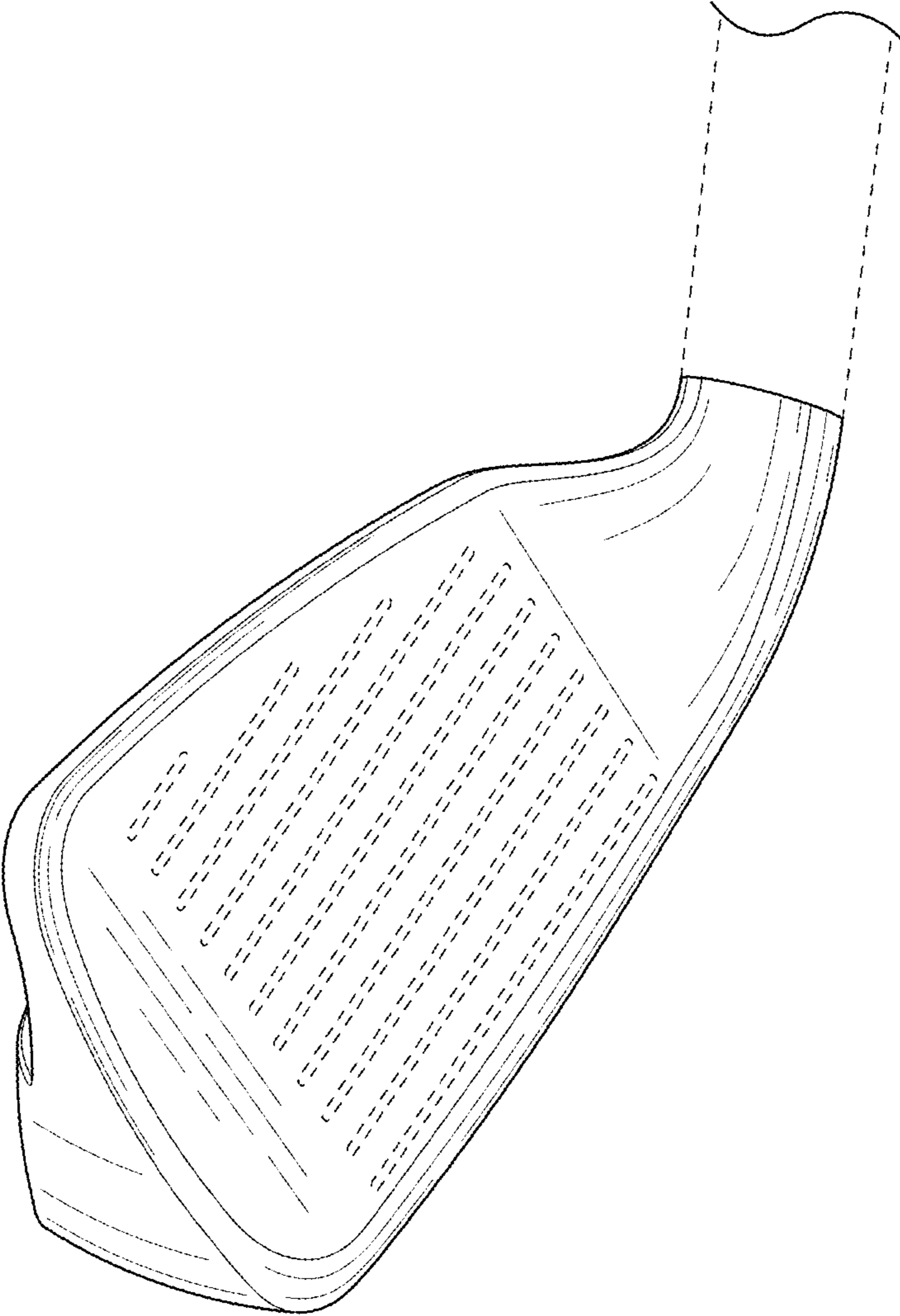


FIG. 1

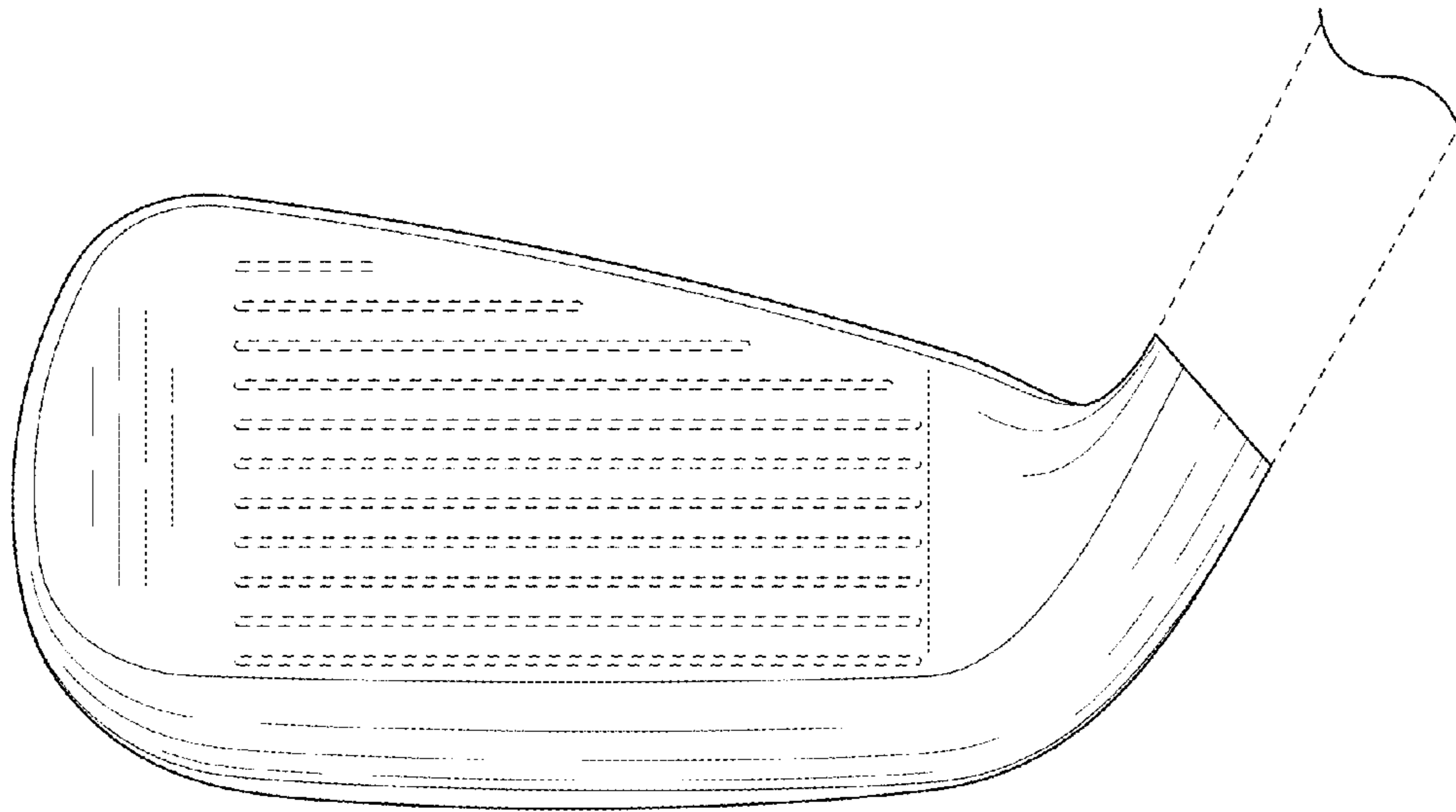


FIG. 2

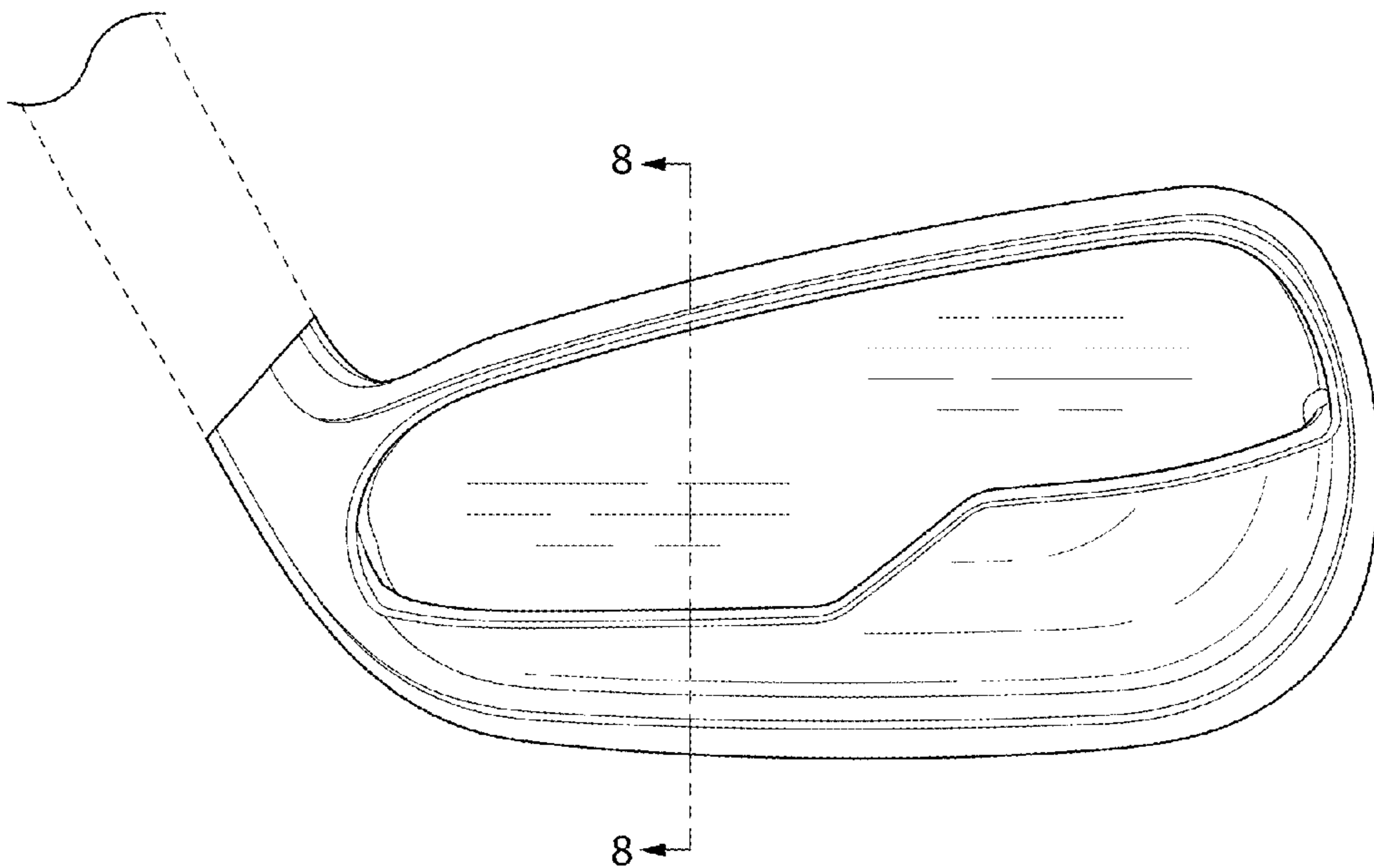


FIG. 3

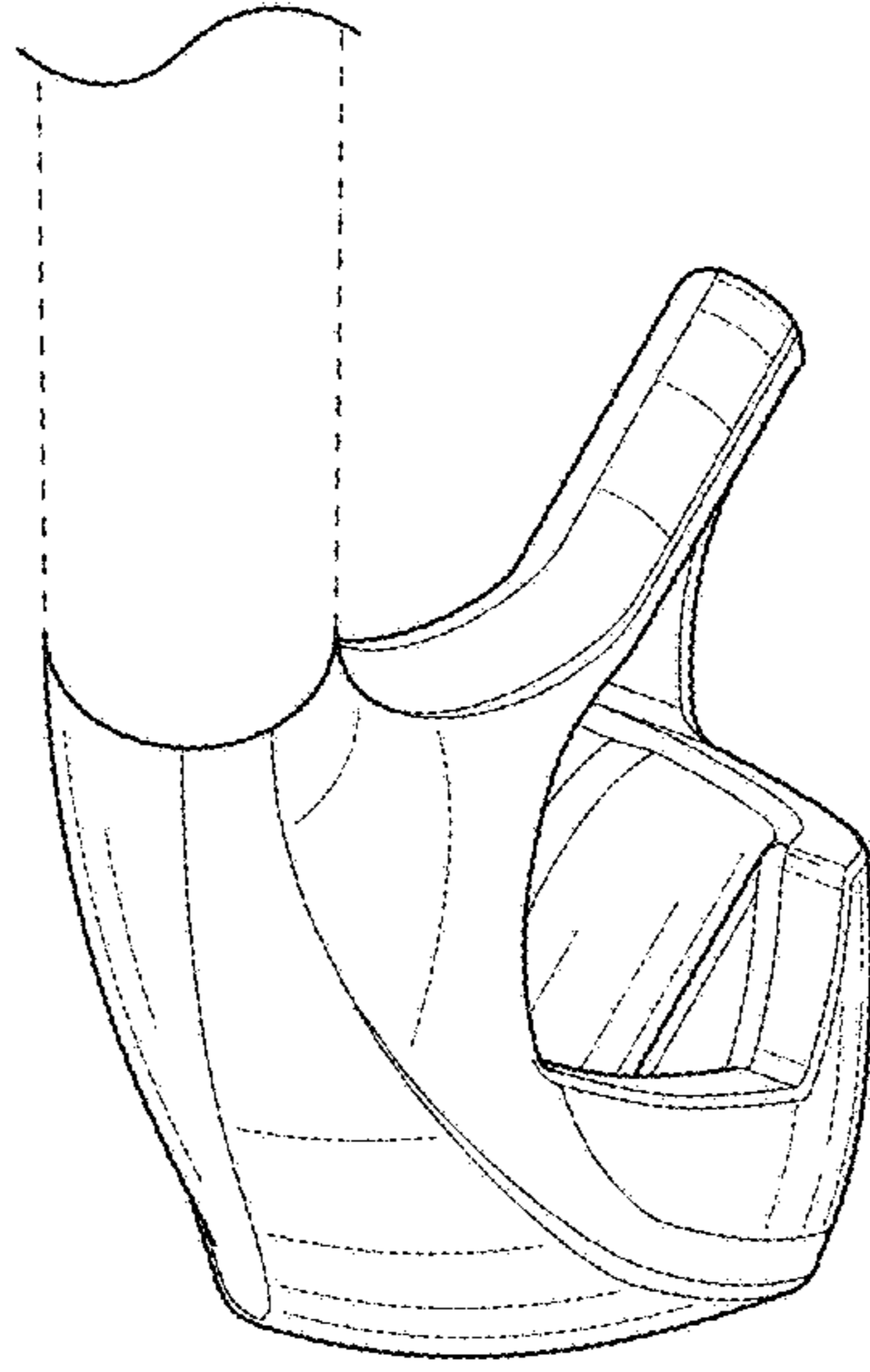


FIG. 4

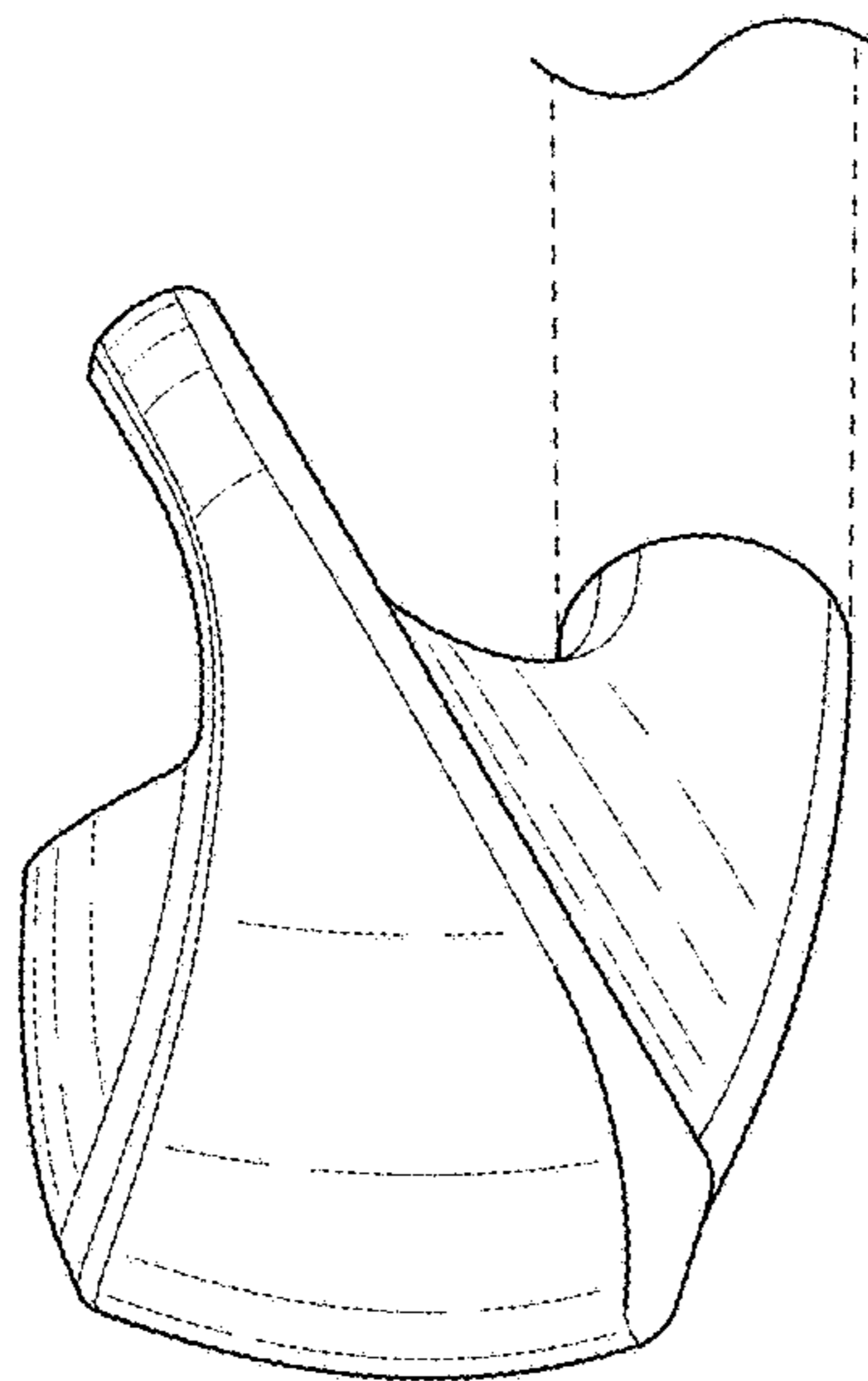


FIG. 5

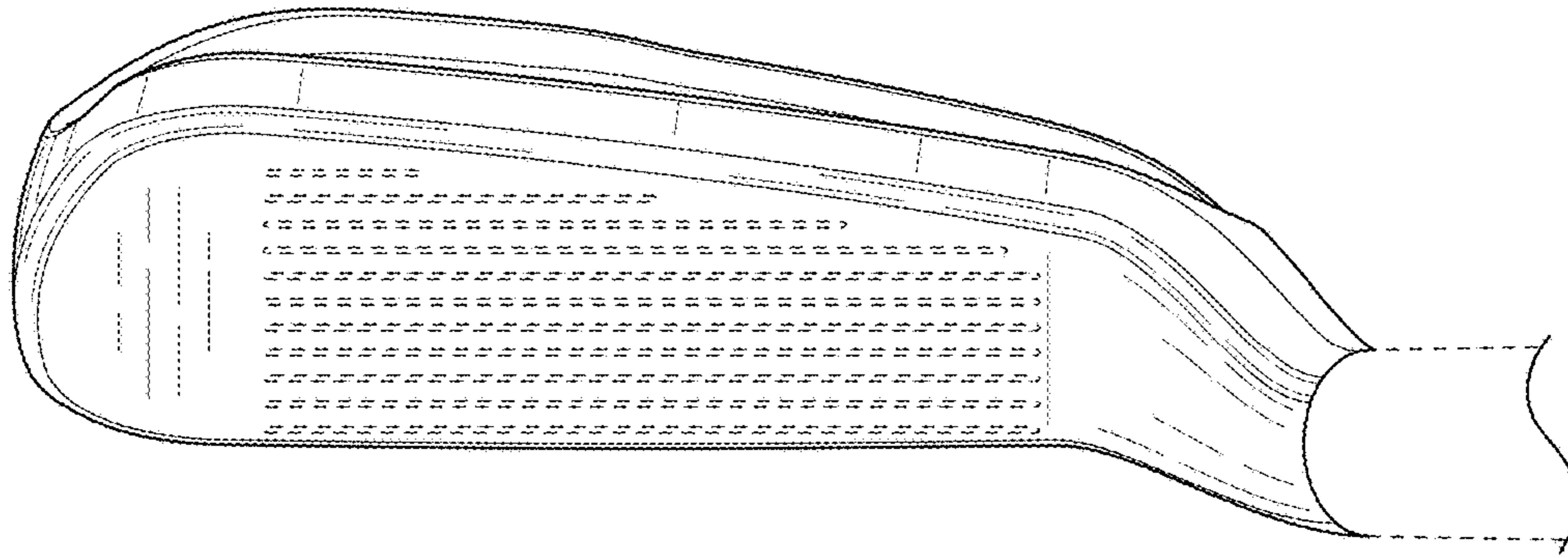


FIG. 6

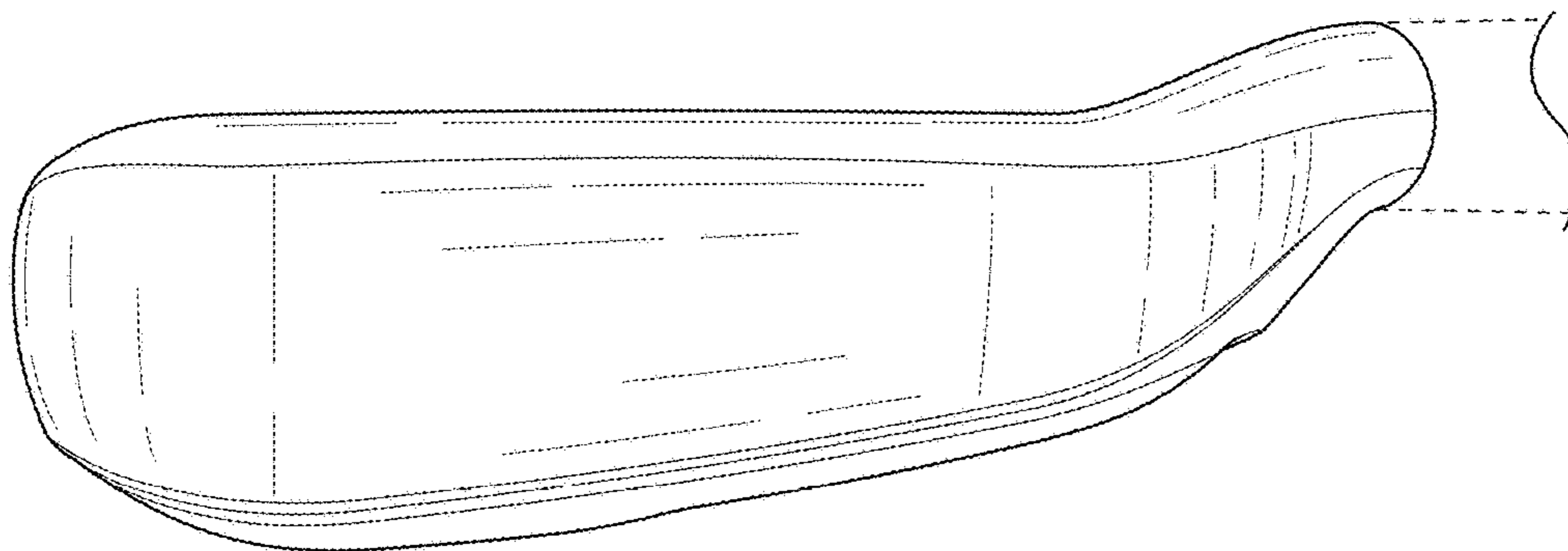


FIG. 7

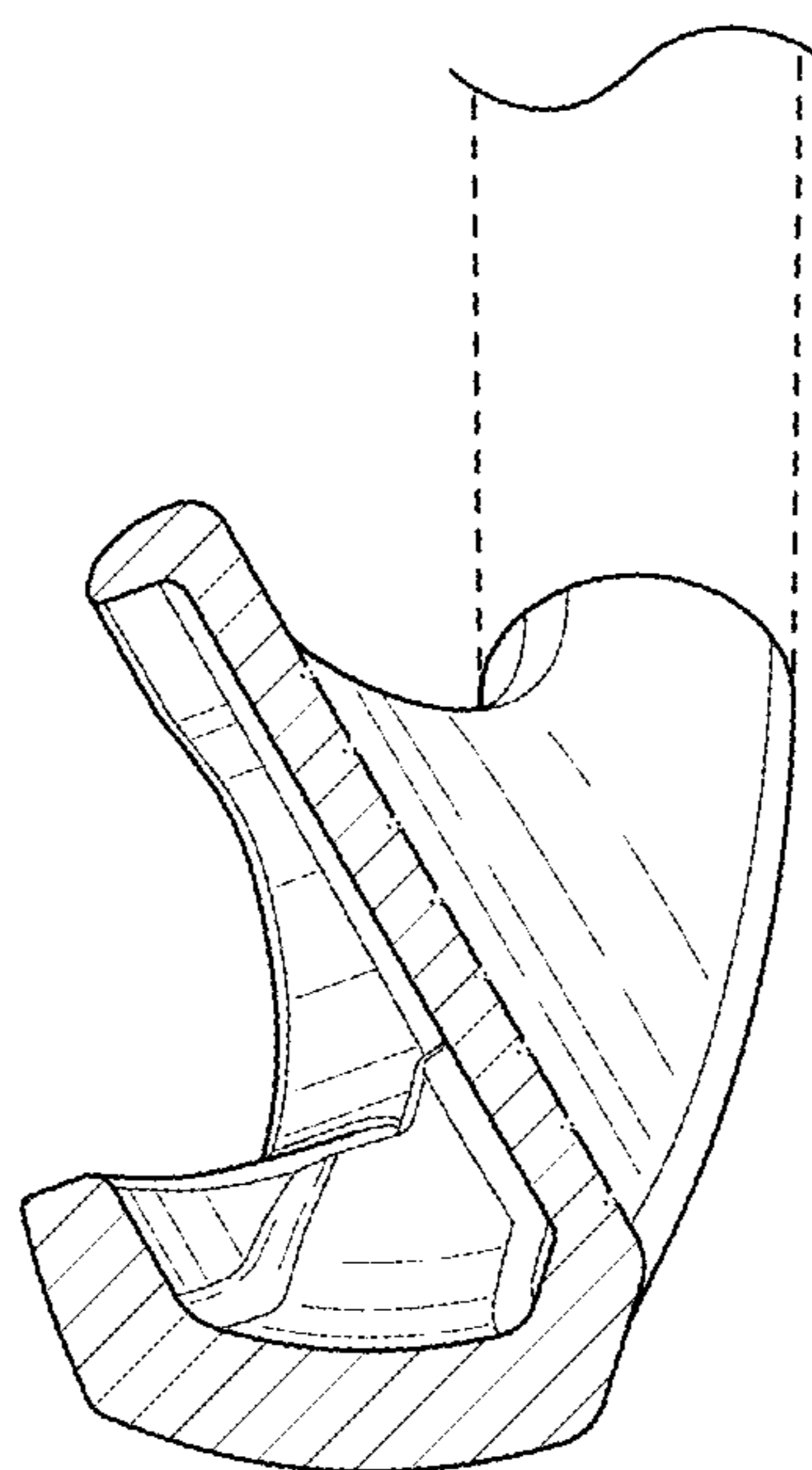


FIG. 8