



US00D823404S

(12) **United States Design Patent**  
**Razon**

(10) **Patent No.:** **US D823,404 S**  
(45) **Date of Patent:** **\*\* Jul. 17, 2018**

- (54) **YOGA BLOCK**
- (71) Applicant: **Eli Razon**, Maple Glen, PA (US)
- (72) Inventor: **Eli Razon**, Maple Glen, PA (US)
- (\*\*) Term: **15 Years**
- (21) Appl. No.: **29/602,305**
- (22) Filed: **Apr. 30, 2017**
- (51) **LOC (11) Cl.** ..... **21-02**
- (52) **U.S. Cl.**  
USPC ..... **D21/688**
- (58) **Field of Classification Search**  
USPC ..... D6/601, 691.4, 375, 334, 361, 349, 596,  
D6/604, 597, 691.3, 691.8, 374;  
D21/686, 687, 662, 797, 688, 484, 671,  
D21/690; D24/190, 191, 192, 183, 186;  
432/140; 482/141, 142, 121, 140, 23, 15,  
482/127, 139, 35, 130, 148, 106;  
D12/410; D30/160; D25/118, 113, 114;  
52/596, 677, 431, 603, 604, 605, 632,  
52/630  
CPC ..... A63B 21/0552; A63B 21/4035; A63B  
23/0211; A63B 21/4047; A63B 2210/50;  
A63B 2208/0204; A63B 21/0557; Y10S  
482/907  
See application file for complete search history.

- D530,830 S \* 10/2006 Collison ..... D25/113
- D609,369 S \* 2/2010 Buch ..... D25/113
- D639,101 S \* 6/2011 Kalatsky ..... D6/601
- D639,876 S \* 6/2011 Tsou ..... D21/662
- 7,963,727 B1 \* 6/2011 Wauhop ..... E02D 29/0266  
405/284
- D666,740 S \* 9/2012 MacDonald ..... D25/113
- D666,741 S \* 9/2012 MacDonald ..... D25/113
- D672,886 S \* 12/2012 MacDonald ..... D25/113
- D672,887 S \* 12/2012 MacDonald ..... D25/113
- D691,222 S \* 10/2013 Sterios ..... D21/686
- D701,582 S \* 3/2014 Sterios ..... D21/686
- D707,312 S \* 6/2014 Sterios ..... D21/686
- D800,852 S \* 10/2017 Flook ..... D21/671
- D802,690 S \* 11/2017 Laszlo ..... D21/686
- D813,321 S \* 3/2018 Zaki ..... D21/662
- 2012/0214653 A1 \* 8/2012 Tsou ..... A63B 21/00047  
482/142
- 2017/0225022 A1 \* 8/2017 Pierra ..... A63B 21/00047

\* cited by examiner

*Primary Examiner* — Philip S Hyder  
*Assistant Examiner* — Ryan Harvey

(57) **CLAIM**

The ornamental design for a yoga block, substantially as shown and described.

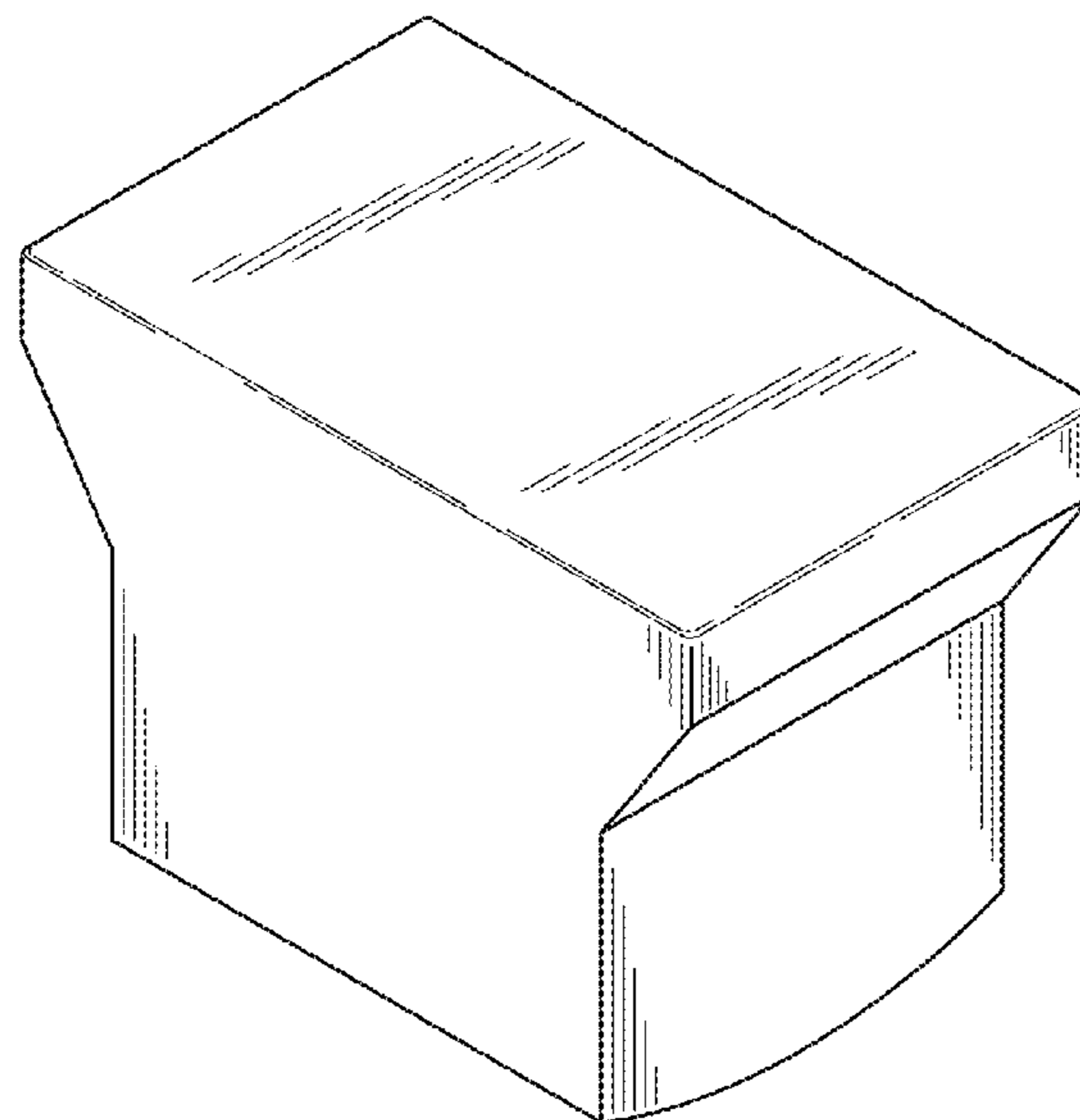
**DESCRIPTION**

FIG. 1 is a front perspective view of a yoga block in accordance with the present invention; FIG. 2 is a front view thereof, the rear view being a mirror-image of the front view and therefore not depicted; FIG. 3 is a left side view thereof, the right side view thereof being a mirror-image of the left side view thereof and therefore not depicted; FIG. 4 is a top view thereof; and, FIG. 5 is a bottom view thereof.

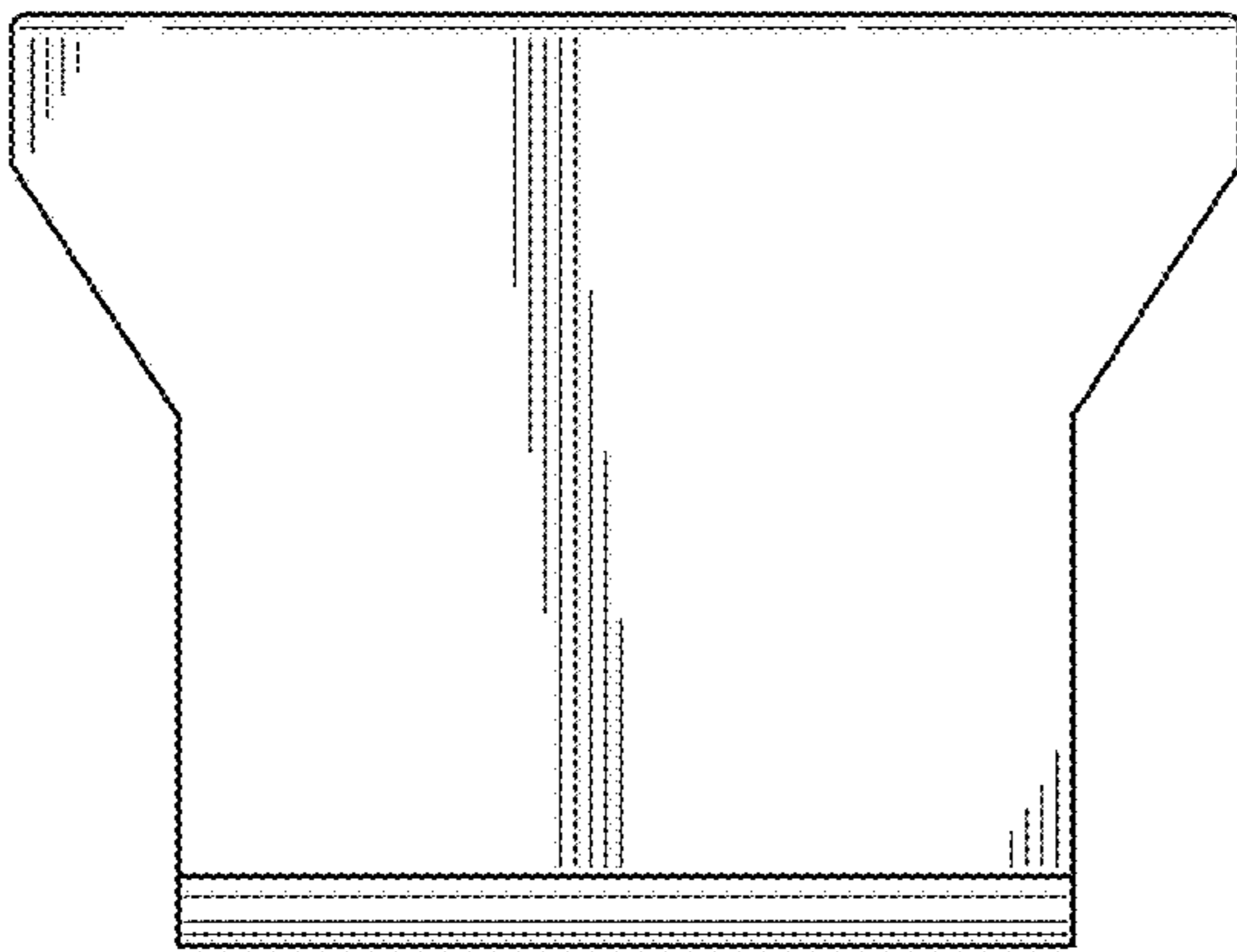
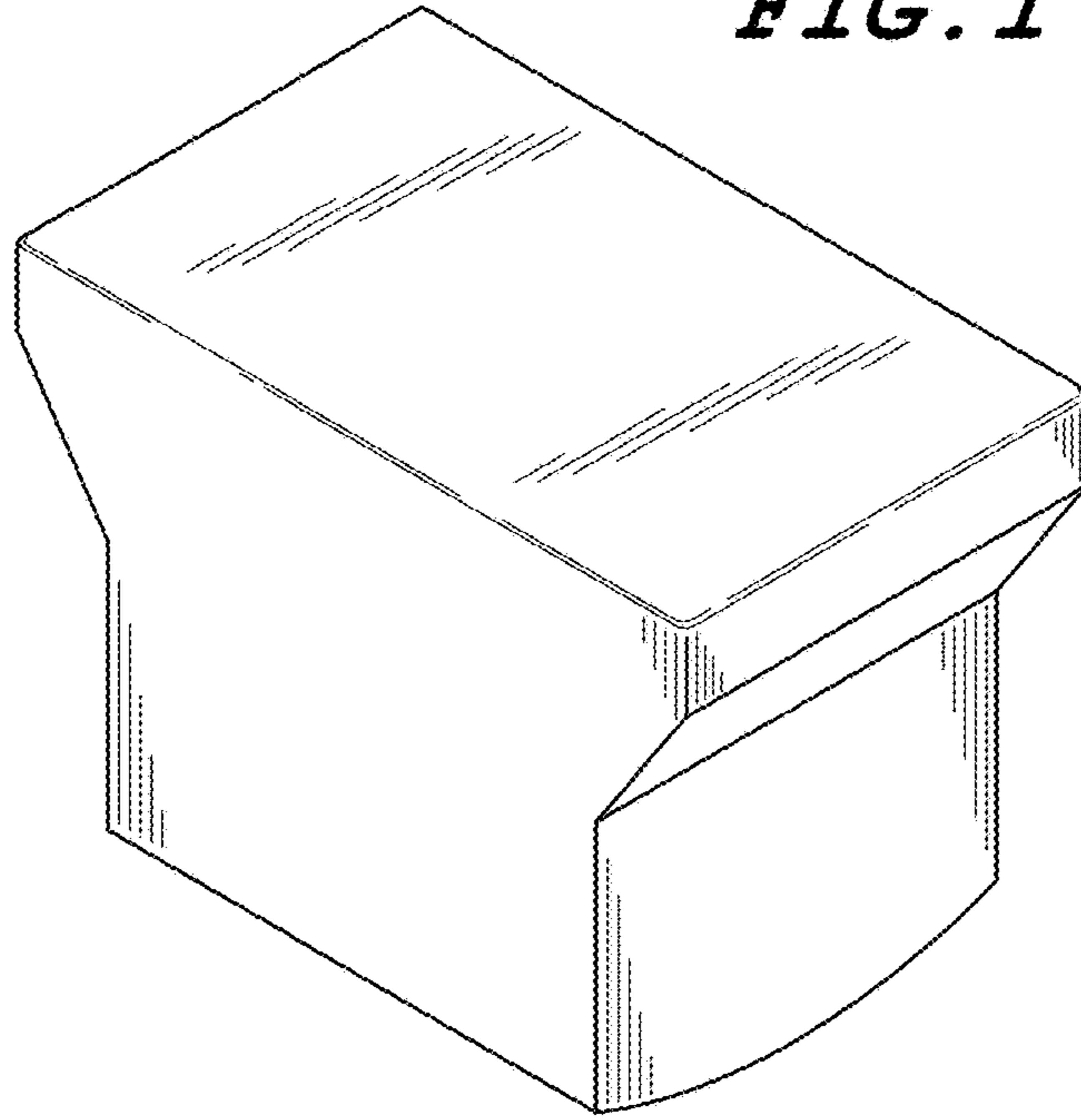
**1 Claim, 2 Drawing Sheets**

(56) **References Cited**  
U.S. PATENT DOCUMENTS

- D121,221 S \* 6/1940 Maitland ..... D8/46
- D343,461 S \* 1/1994 Powell ..... D25/114
- 5,996,583 A \* 12/1999 King ..... A61G 7/07  
128/845
- D475,143 S \* 5/2003 Hammer ..... D25/118



**FIG. 1**

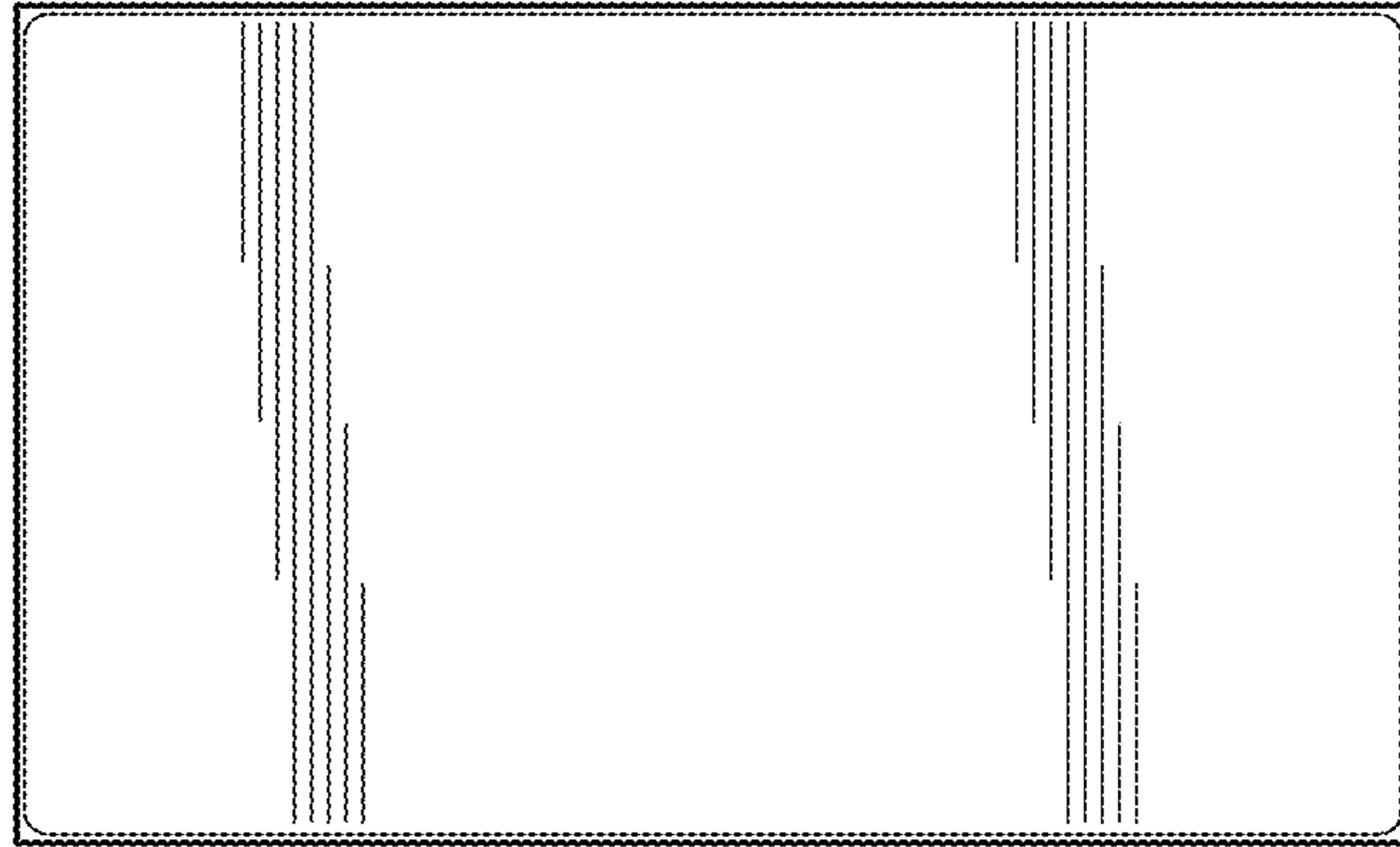


**FIG. 2**



**FIG. 3**

***FIG. 4***



***FIG. 5***

