



US00D823402S

(12) **United States Design Patent**
Ladislao

(10) **Patent No.:** **US D823,402 S**
(45) **Date of Patent:** **** Jul. 17, 2018**

(54) **MODEL VEHICLE BODY**
(71) Applicant: **SPIN MASTER LTD.**, Toronto (CA)
(72) Inventor: **Mark Ladislao**, Hong Kong (CN)
(73) Assignee: **SPIN MASTER LTD.**, Toronto (CA)
(**) Term: **15 Years**
(21) Appl. No.: **29/603,880**

9,045,226 B2 6/2015 Piasecki et al.
D781,382 S * 3/2017 Etcheparre D21/542
2004/0139905 A1* 7/2004 Chen B63B 1/246
114/274
2007/0010159 A1 1/2007 Butler et al.
2009/0008499 A1 1/2009 Shaw
2009/0294573 A1 12/2009 Wilson et al.
2011/0315806 A1 12/2011 Piasecki et al.
2015/0217837 A1 8/2015 Szydowski et al.
2016/0167470 A1 6/2016 Seydoux et al.
2016/0176514 A1 6/2016 Lavagen et al.

(22) Filed: **May 12, 2017**
(51) **LOC (11) Cl.** **21-01**
(52) **U.S. Cl.**
USPC **D21/542**
(58) **Field of Classification Search**
USPC D21/542-547; D12/300-318
CPC .. B63B 1/16; B63B 1/24; B63B 1/242; B63B
1/244; B63B 1/246; B63B 1/248; B63B
1/26; B63B 1/28; B63B 1/322; B63B
1/10; B63B 1/12; B63B 1/14
See application file for complete search history.

FOREIGN PATENT DOCUMENTS

WO 02/060550 A1 8/2002

* cited by examiner

Primary Examiner — Cynthia M Chin
(74) *Attorney, Agent, or Firm* — Millman IP Inc.

(57) **CLAIM**

The ornamental design for a model vehicle body, as shown and described.

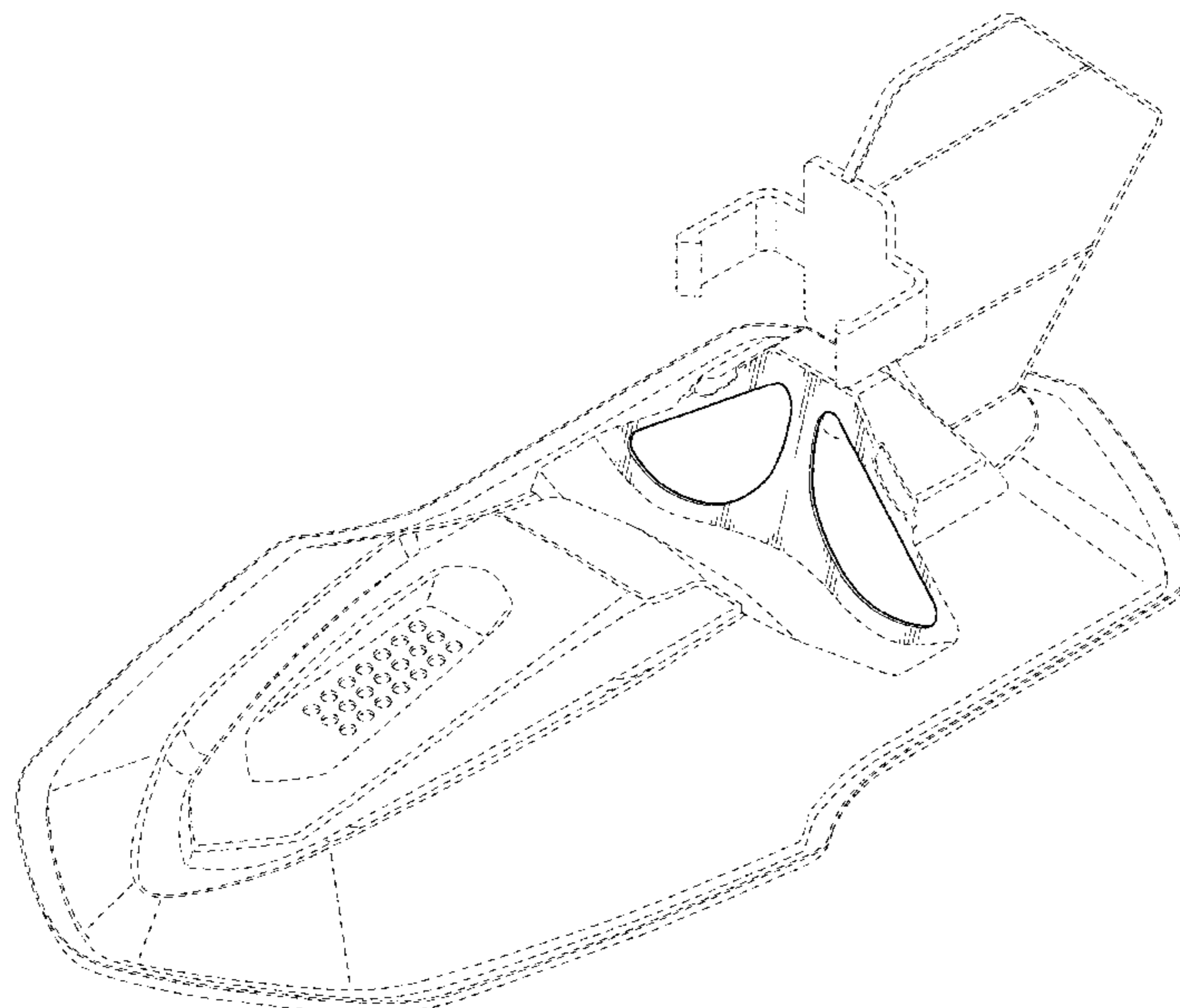
DESCRIPTION

FIG. 1 is a perspective view from above, to the front and to one side of the new design for a model vehicle body; FIG. 2 is a perspective view from above, to the rear and to one side thereof; FIG. 3 is a top view thereof; FIG. 4 is a left side view thereof; FIG. 5 is a right side view thereof; FIG. 6 is a front view thereof; and, FIG. 7 is a rear view thereof. The broken lines immediately adjacent the shaded areas represent the bounds of the claim and all other broken lines represent unclaimed portions of the model vehicle body. None of the broken lines form a part of the claimed design.

(56) **References Cited**
U.S. PATENT DOCUMENTS

D212,566 S * 10/1968 Maloof 446/307
D219,077 S * 10/1970 Voyce D12/305
3,765,356 A * 10/1973 Cook B63B 1/24
114/280
4,080,922 A 3/1978 Brubaker
D313,584 S * 1/1991 Linebaugh D12/305
D345,542 S * 3/1994 Duncan D12/300
5,727,495 A 3/1998 Reslein
6,158,540 A 12/2000 Rice et al.
D451,560 S * 12/2001 Tilbor D21/542
D544,927 S * 6/2007 Sanger, II D21/542
D591,364 S * 4/2009 Nagaoka D21/542
D646,198 S * 10/2011 Desberg D12/305
8,657,053 B2 2/2014 Novikov-Kopp

1 Claim, 7 Drawing Sheets



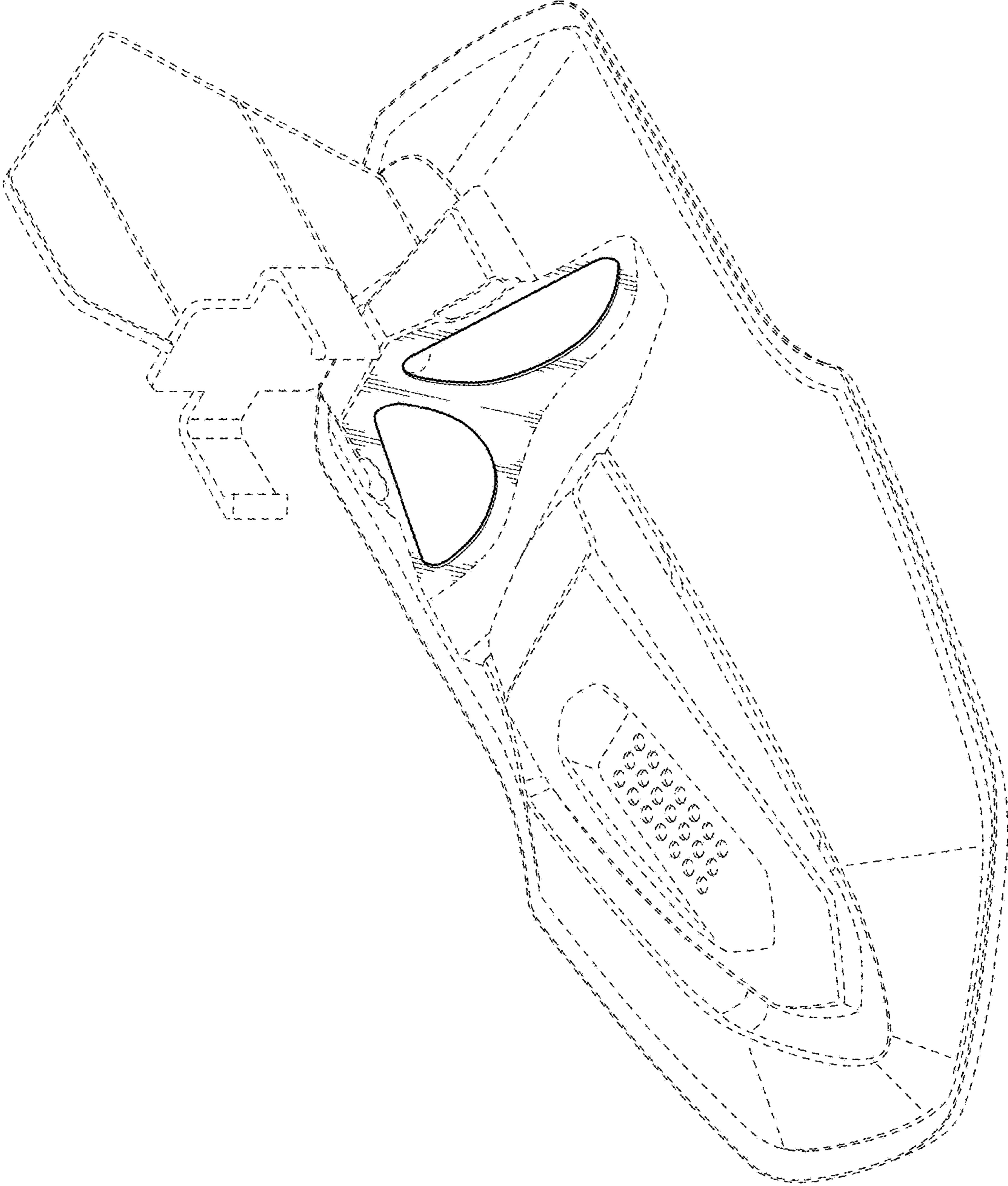
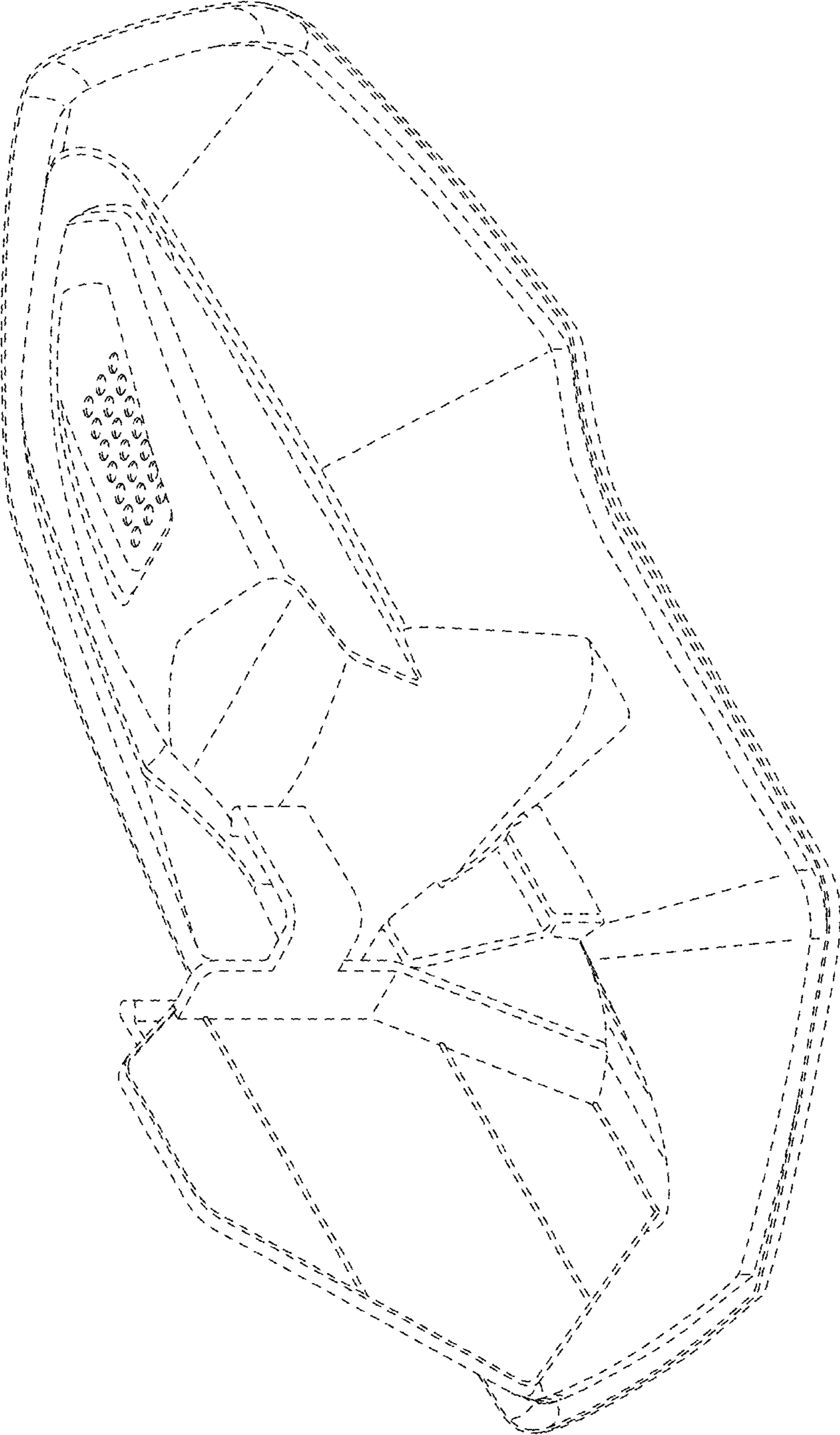


FIG. 1

FIG. 2



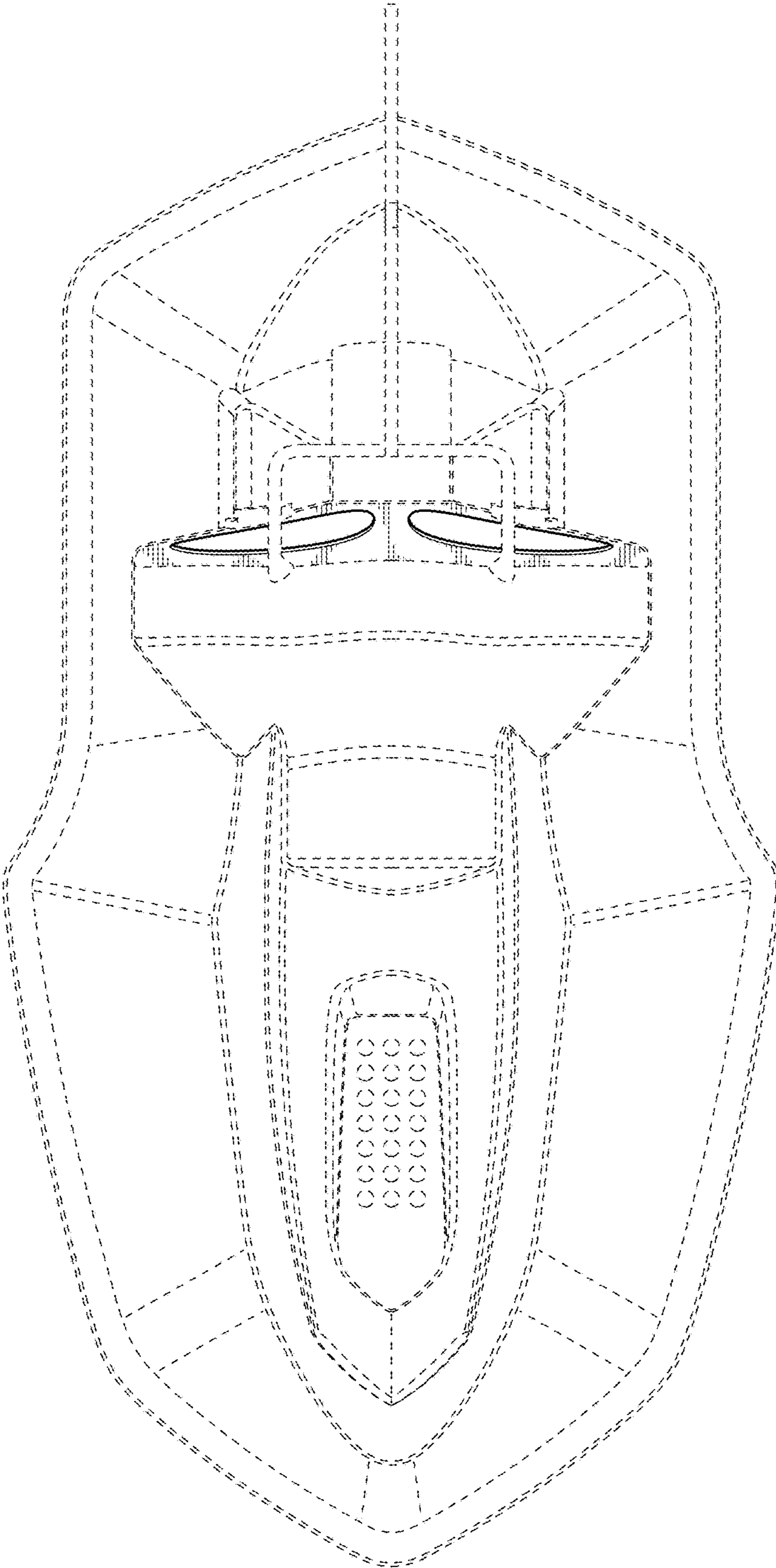


FIG. 3

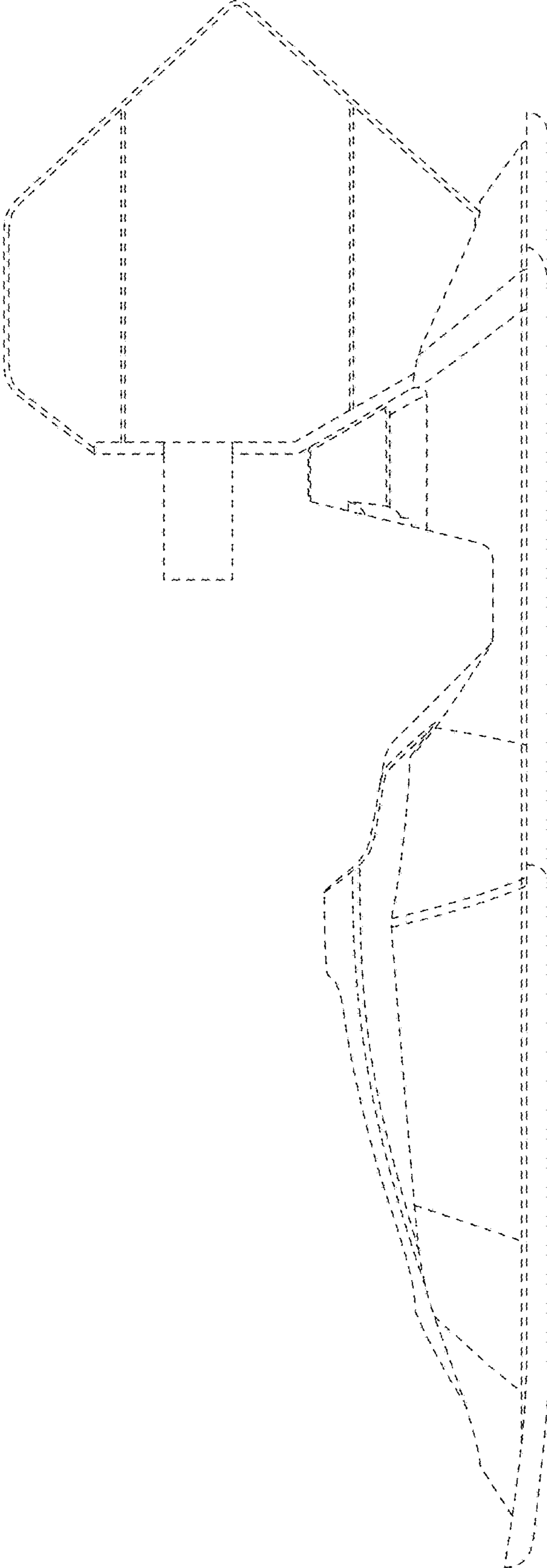


FIG. 4

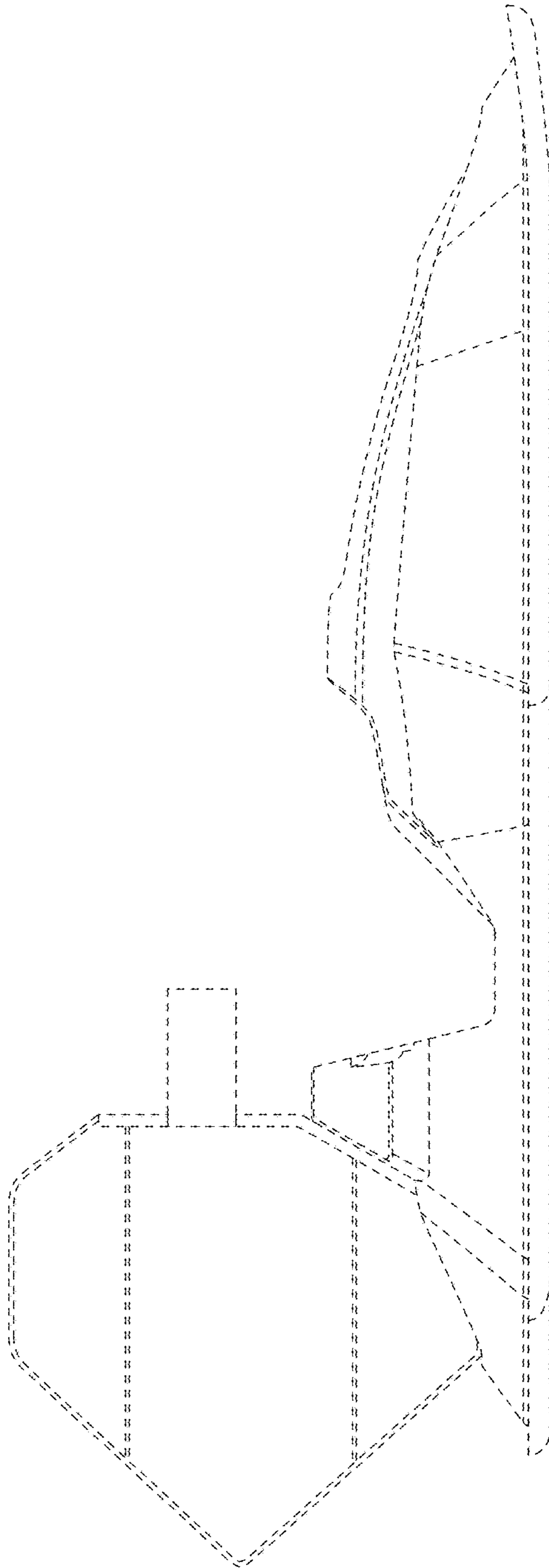


FIG. 5

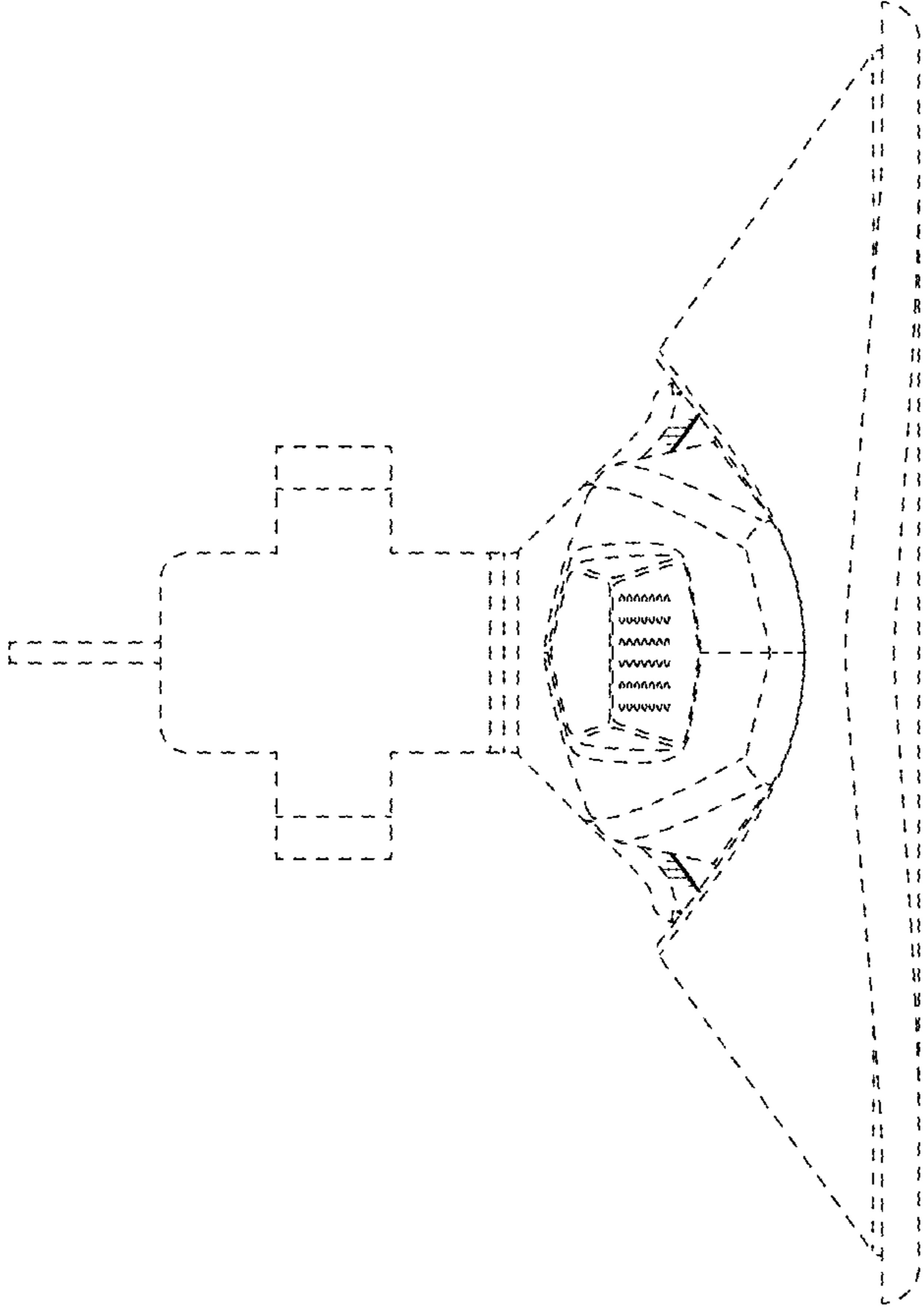


FIG. 6

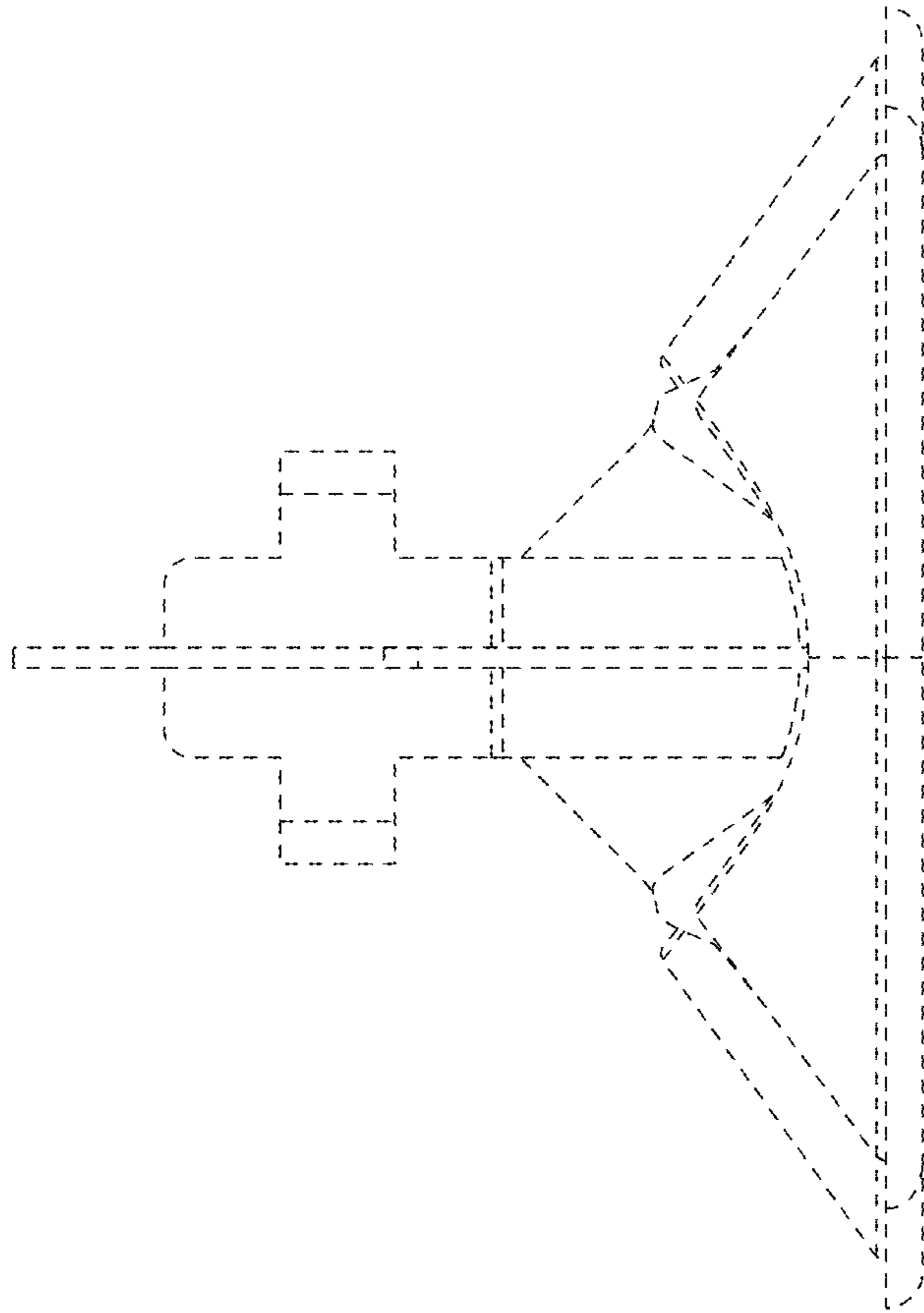


FIG. 7