



US00D823398S

(12) **United States Design Patent** (10) **Patent No.:** **US D823,398 S**
Zekelman et al. (45) **Date of Patent:** **** Jul. 17, 2018**

(54) **PROGRAMMING TILE**

- (71) Applicant: **Tangible Play, Inc.**, Palo Alto, CA (US)
- (72) Inventors: **Ariel Zekelman**, Palo Alto, CA (US); **Felix Hu**, Palo Alto, CA (US); **Eric Uchalik**, Palo Alto, CA (US)
- (73) Assignee: **Tangible Play, Inc.**, Palo Alto, CA (US)
- (**) Term: **15 Years**

- (21) Appl. No.: **29/602,845**
- (22) Filed: **May 4, 2017**

Related U.S. Application Data

- (63) Continuation of application No. 29/565,826, filed on May 24, 2016, now Pat. No. Des. 795,349.
- (51) **LOC (11) Cl.** **21-01**
- (52) **U.S. Cl.**
 USPC **D21/333**; D21/324; D14/496; D14/356; D19/60
- (58) **Field of Classification Search**
 USPC D21/324, 328, 329, 333, 334, 445, 398; D14/346, 138 R, 496, 341, 345, 356, D14/203.1–203.8, 204; D19/59–64; 382/103, 155, 162, 173–180, 232, 382/236–239, 254, 276, 285, 312; 273/236, 292, 293, 148 R, 148 B, 273/459–461; 345/156–160, 173–178, 345/501, 531, 1.1, 1.2, 3.1–3.4, 30, 903, 345/901, 905; 463/1, 7, 9, 11, 31–34; 434/81, 82, 85, 128, 129, 155, 159, 276, 434/308, 365, 317, 323, 324, 162–177
 CPC A63F 1/00; A63F 7/38; A63F 13/00; A63F 13/02; A63F 13/20; G06K 7/00; G06K 9/00; G06K 9/46; G06K 9/4604
 See application file for complete search history.

(56) **References Cited**

U.S. PATENT DOCUMENTS

D310,185 S	8/1990	Tick
D351,890 S	10/1994	Rasmusson
D365,588 S	12/1995	Fernandez
5,594,469 A	1/1997	Freeman et al.
D407,748 S	4/1999	Tsang et al.
D409,895 S	5/1999	Schron, Jr. et al.
6,043,805 A	3/2000	Hsieh
6,175,954 B1	1/2001	Nelson et al.
D476,555 S	7/2003	Niwa

(Continued)

FOREIGN PATENT DOCUMENTS

WO	2006027627 A1	3/2006
----	---------------	--------

OTHER PUBLICATIONS

Papert, "Mindstorms: Children, Computers, and Powerful Ideas," 1980 (11 pages).

(Continued)

Primary Examiner — Prabhakar G Deshmukh
(74) *Attorney, Agent, or Firm* — Patent Law Works LLP

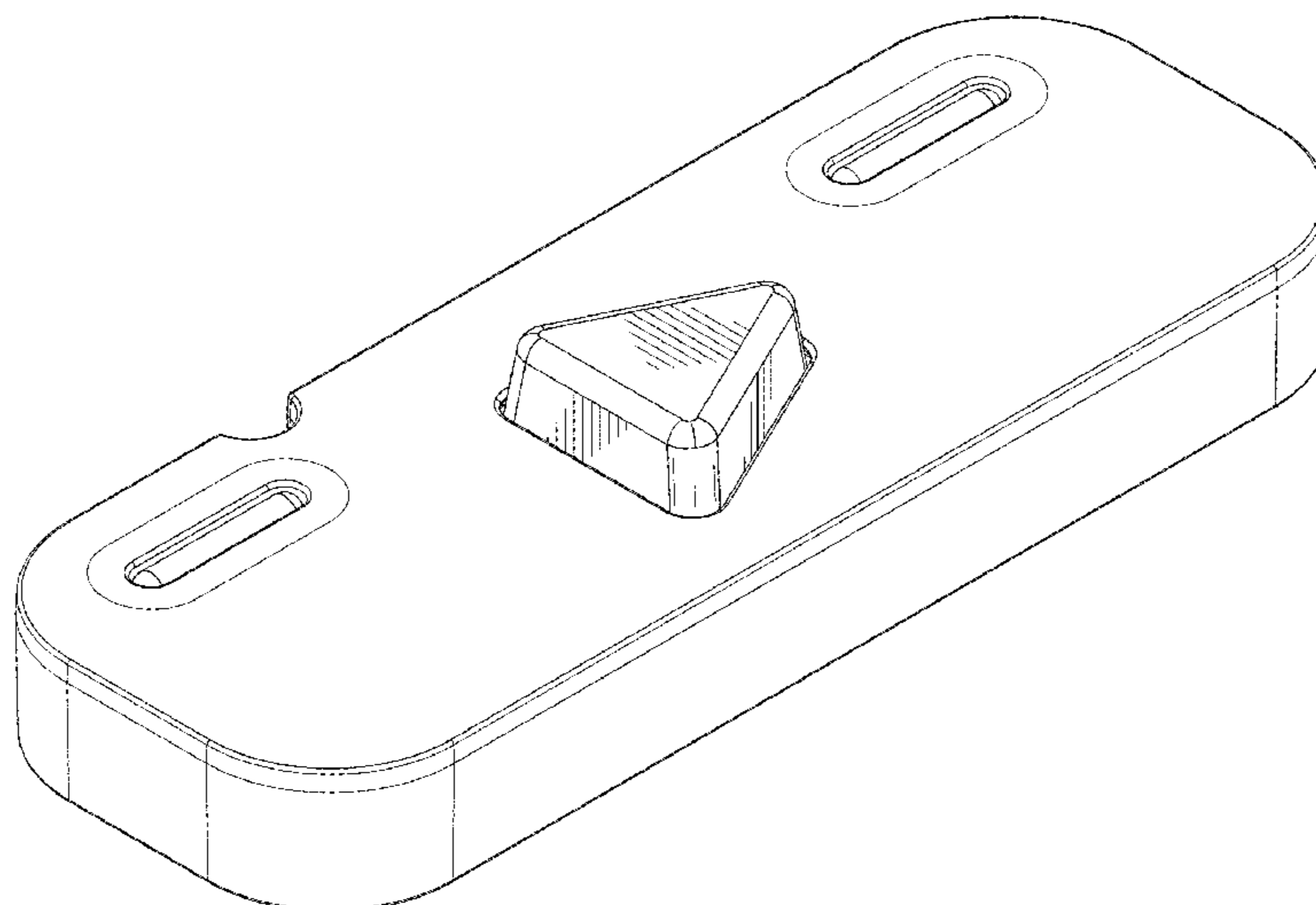
(57) **CLAIM**

The ornamental design for a programming tile, as shown and described.

DESCRIPTION

FIG. 1 is a top perspective view of a programming tile showing our new design;
 FIG. 2 is a bottom perspective view thereof;
 FIG. 3 is a top plan view thereof;
 FIG. 4 is a bottom plan view thereof;
 FIG. 5 is a left side elevational view thereof;
 FIG. 6 is a right side elevational view thereof;
 FIG. 7 is a front elevational view thereof; and,
 FIG. 8 is a rear elevational view thereof.

1 Claim, 6 Drawing Sheets



(56)

References Cited

U.S. PATENT DOCUMENTS

6,614,422	B1	9/2003	Rafii et al.	
6,650,318	B1	11/2003	Amon	
D531,668	S	11/2006	Goodstriker et al.	
D535,869	S	1/2007	Brunsteter	
7,210,631	B2	5/2007	Sali et al.	
D545,183	S	6/2007	French et al.	
D563,452	S	3/2008	Tan et al.	
7,358,601	B1 *	4/2008	Plants	H01L 25/18 257/686
7,777,899	B1	8/2010	Hildreth	
8,126,264	B2	2/2012	Kaftory et al.	
D658,977	S	5/2012	Riddell et al.	
8,225,260	B2	7/2012	Huynh et al.	
8,226,260	B2 *	7/2012	Whalan	A01M 29/10 362/152
8,274,535	B2	9/2012	Hildreth et al.	
8,341,582	B2 *	12/2012	Huynh	G06F 17/5063 707/769
D682,463	S	5/2013	Bernard	
8,611,587	B2	12/2013	Horovitz	
8,624,932	B2	1/2014	Hildreth et al.	
D698,781	S	2/2014	Jun et al.	
D716,362	S	10/2014	Generotti	
8,881,052	B2 *	11/2014	Strauss	G06F 9/4443 715/762
D719,928	S *	12/2014	Birger	D14/203.3
D726,804	S	4/2015	Voss	
9,003,340	B2	4/2015	Huynh et al.	
9,158,389	B1	10/2015	Sharma et al.	
9,354,716	B1	5/2016	Sharma et al.	
2009/0273560	A1	11/2009	Kalanithi et al.	
2009/0315740	A1	12/2009	Hildreth et al.	
2010/0061637	A1	3/2010	Mochizuki et al.	
2010/0066763	A1	3/2010	MacDougall et al.	
2010/0091110	A1	4/2010	Hildreth	
2011/0298724	A1	12/2011	Ameling et al.	
2012/0244922	A1	9/2012	Horovitz	
2013/0321447	A1	12/2013	Horovitz et al.	

OTHER PUBLICATIONS

McNerney, "Tangible Programming Bricks: An approach to making programming accessible to everyone," Jun. 1983 (86 pages).

Disessa, "Changing Minds Computers, Learning, and Literacy: How It Might Be," 2000, pp. 29-44 (17 pages).

Cuban, "Oversold and underused: Computers in the classroom," 2009 (258 pages).

McNerney, "From turtles to tangible programming bricks: explorations in physical Language design," *Personal Ubiquit Computing*, 2004 (12 pages).

Montemayor, et al., "Tools for Children to Create Physical Interactive StoryRooms," *Computers in Entertainment*, vol. 2, No. 1, 2004 (24 pages).

Horn, et al., "Designing Tangible Programming Languages for Classroom Use," 2007 (4 pages).

Schweikardt, et al., "The Robot is the Program: Interacting with roBlocks," 2008 (2 pages).

Wyeth, "How Young Children Learn to Program with Sensor, Action, and Logic Blocks," *The Journal of the Learning Sciences*, vol. 17, No. 4, Oct.-Dec. 2008 (35 pages).

Yardi, "Scratch: Programming for All," *Communications of the ACM*, vol. 52, No. 11, Nov. 2009 (8 pages).

Sipitakiat, et al., "Robo-Blocks: Desining Debugging Abilities in a Tangible Programming System for Early Primary School Children," 2012 (8 pages).

Horn, et al., "Tangible Interaction and Learning: the case for a hybrid approach," *Personal Ubiquit Computing*, 2012 (11 pages).

Pedersen, "Grab and Touch: Empirical Research on Tangible Computing and Touch Interaction," Nov. 2012 (75 pages).

Flannery, et al., "Designing ScratchJr: Support for Early Childhood Learning Through Computer Programming," 2013 (10 pages).

Chawla, et al., "Dr. Wagon: A 'stretchable' toolkit for tangible computer programming," 2013 (4 pages).

Weintrop, et al., "RoboBuilder: A Computational Thinking Game," 2013 (2 pages).

Sapounidis, et al., "Tangible versus graphical user interfaces for robot programming: exploring cross-age children's preferences," 2013 (12 pages).

Oh, et al., "The Digital Dream Lab: Tabletop Puzzle Blocks for Exploring Programmatic Concepts," 2013 (6 pages).

Horn, "The Role of Cultural Forms in Tangible Interaction Design," 2013 (8 pages).

Horn, et al., "Translating Roberto to Omar: Computational Literacy, Stickerbooks, and Cultural Forms," 2013 (8 pages).

Wikipedia, "Tangible user interface," retrieved from http://en.wikipedia.org/w/index.php?title=Tangible_user_interface&oldid=549052909 Apr. 2, 2014 (5 pages).

Hu, et al., "Strawbies: Explorations in Tangible Programming," 2015 (4 pages).

International Search Report and Written Opinion, dated Aug. 27, 2015, in PCT/US2015/032041 (14 pages).

"A robot teaching kids code & computer programming," retrieved from www.primotoys.com Jun. 9, 2016 (8 pages).

"Toys for learning about technology. Playfully!" *KinderLab Robotics*, retrieved from <http://kinderlabrobotics.com> Jun. 9, 2016 (2 pages).

"Project Bloks—Research," retrieved from <http://projectblocks.withgoogle.com/research/> Sep. 9, 2016 (9 pages).

Horn, "Topcodes: Tangible Object Placement Codes," retrieved from <http://users.eecs.northwestern.edu/~mhorn/topcodes/> Sep. 9, 2016 (2 pages).

* cited by examiner

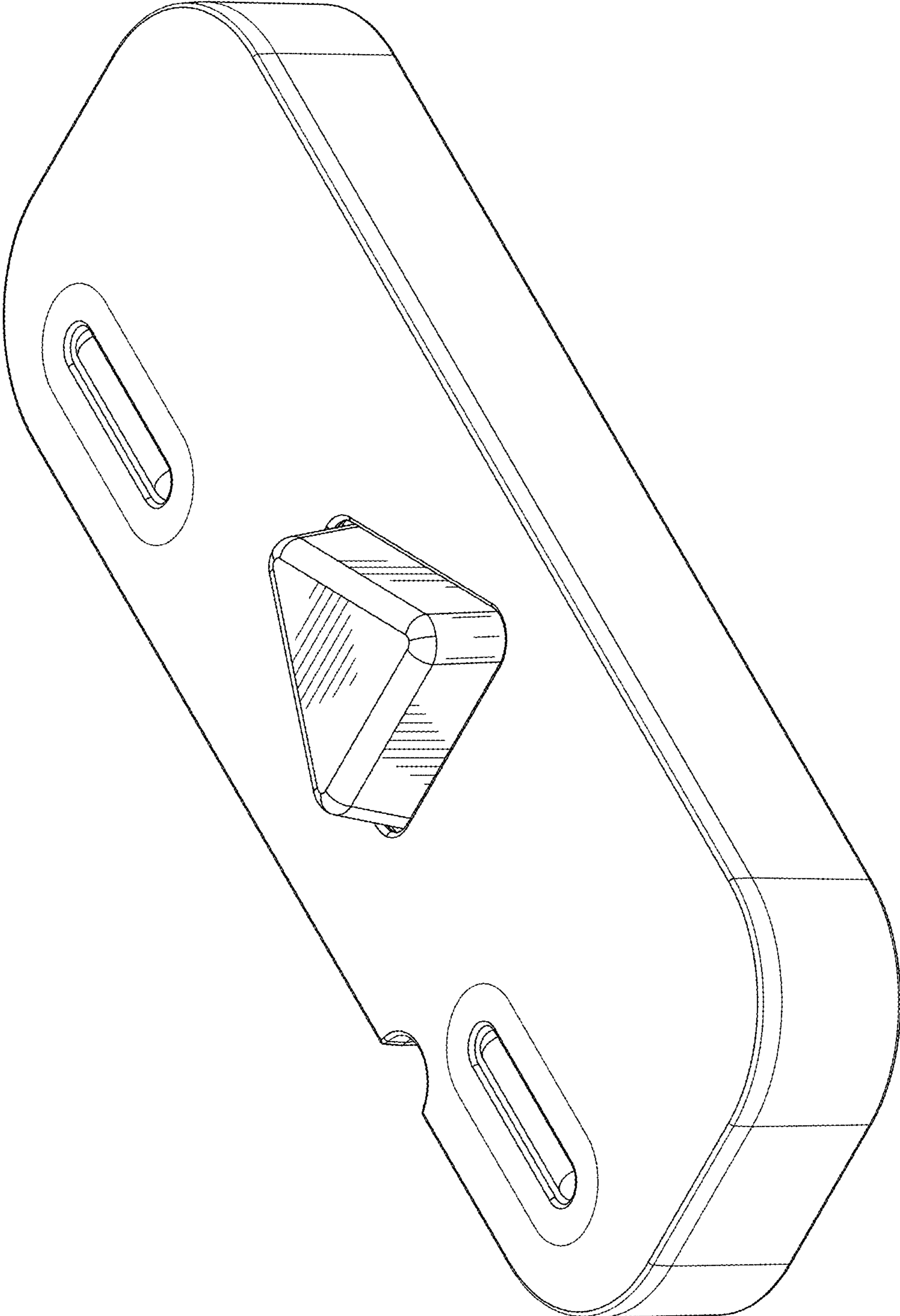


FIG. 1

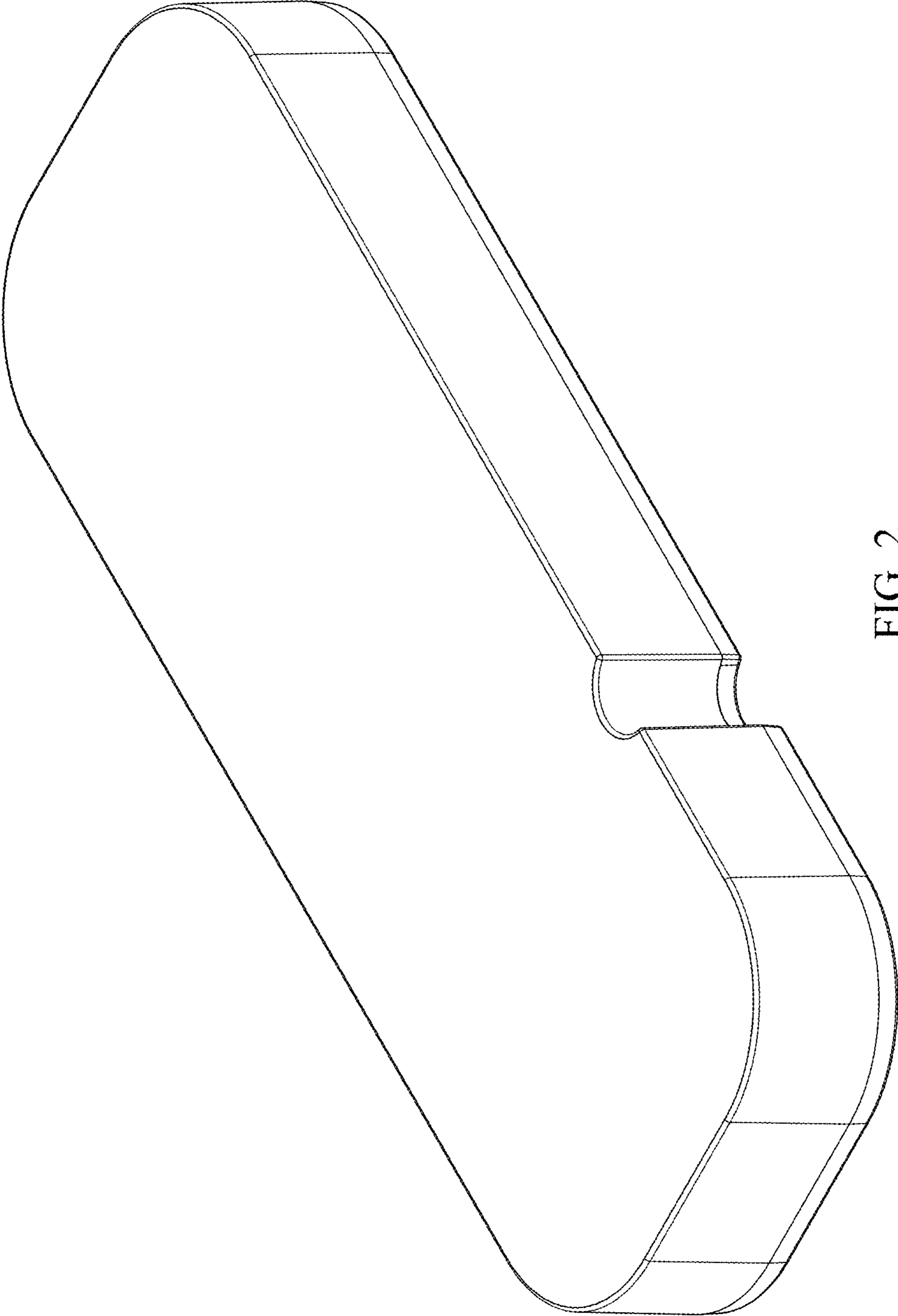


FIG. 2

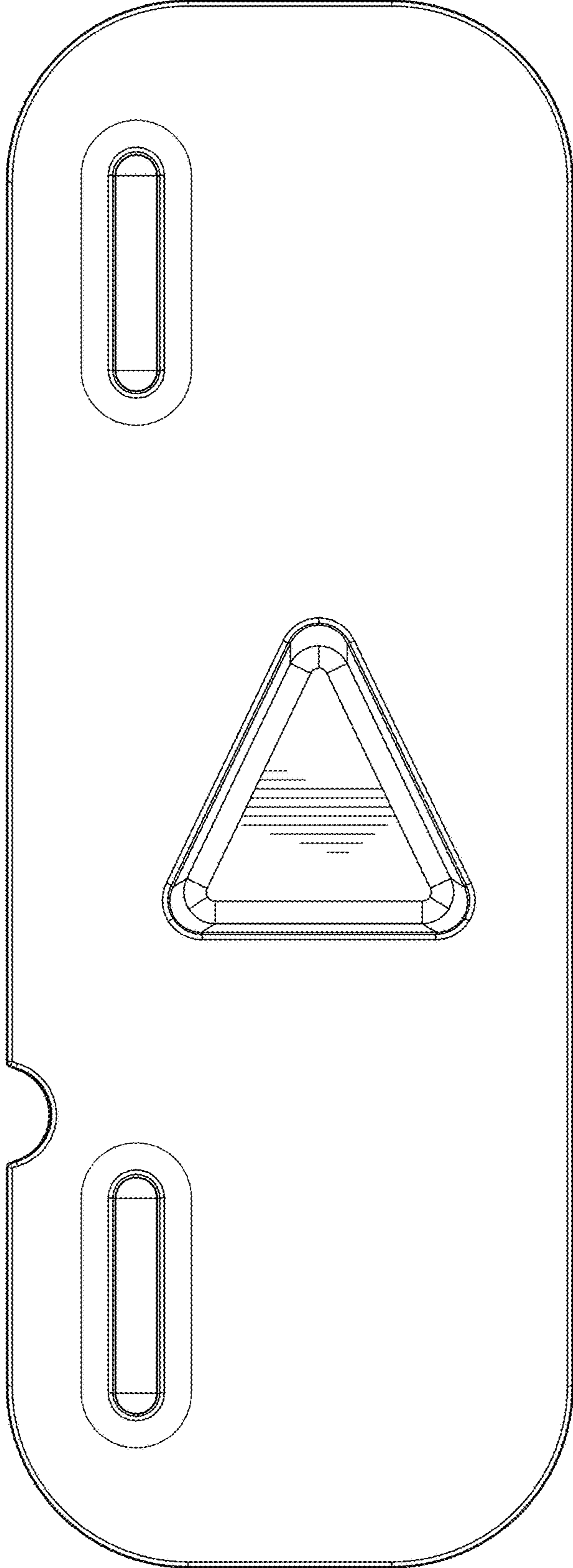


FIG. 3

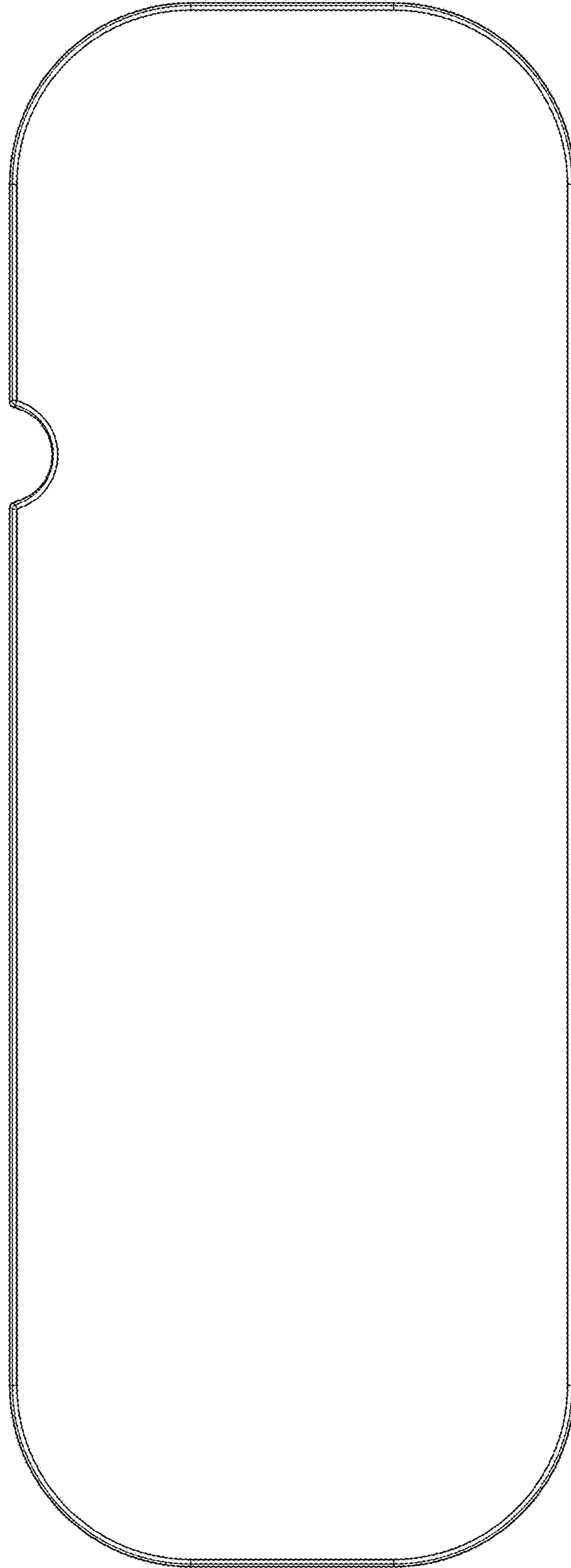


FIG. 4

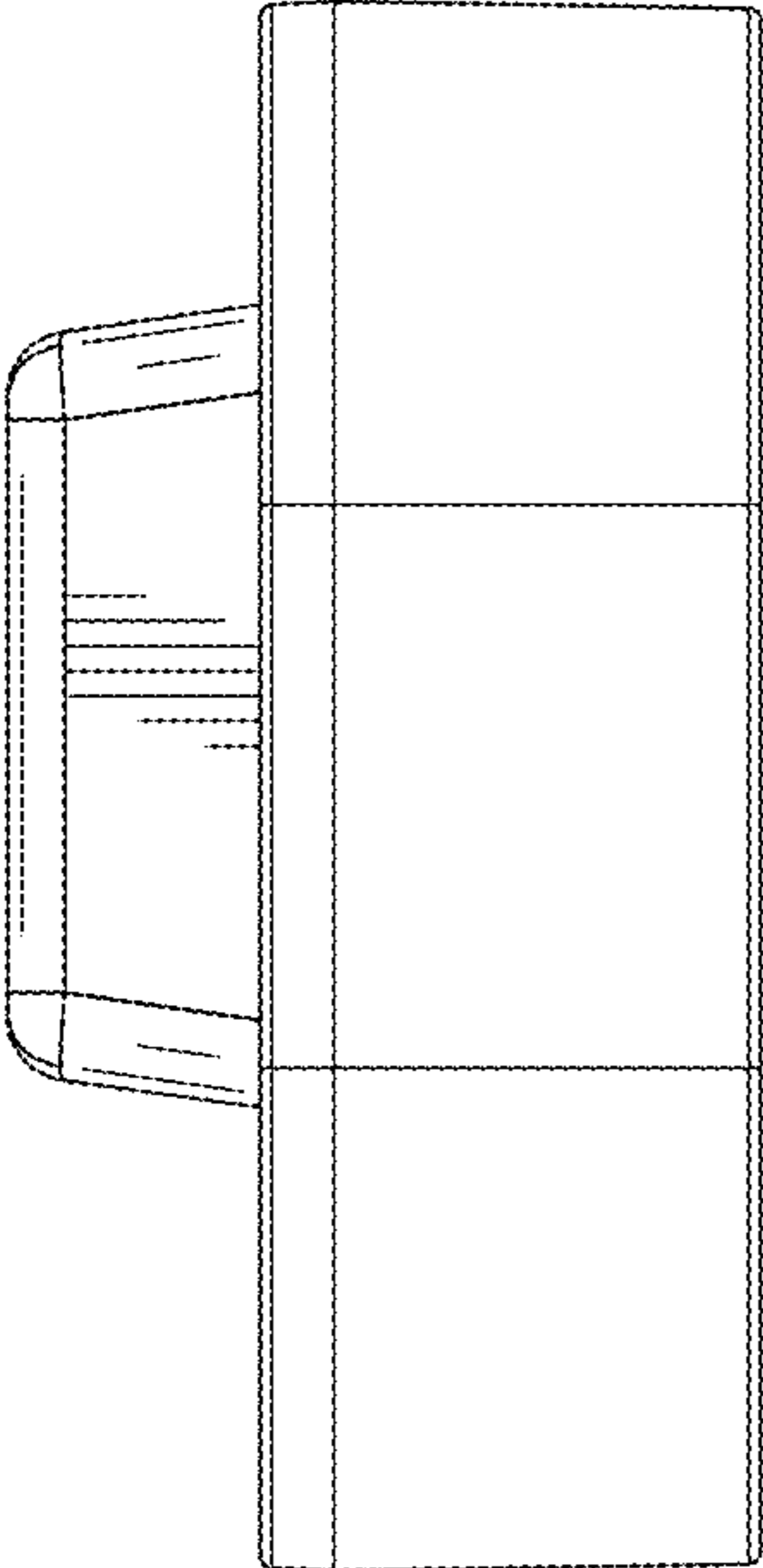


FIG. 5

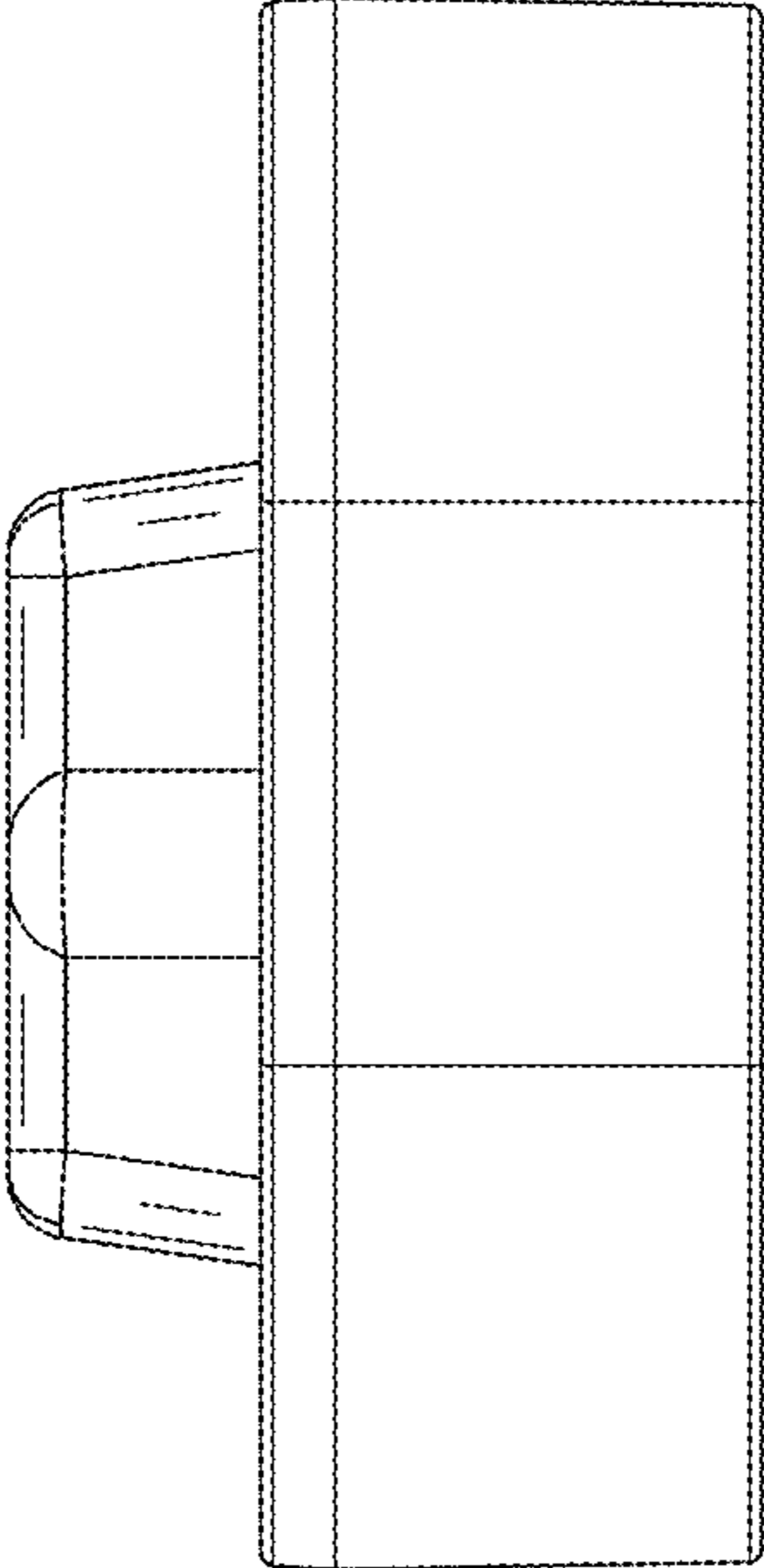


FIG. 6

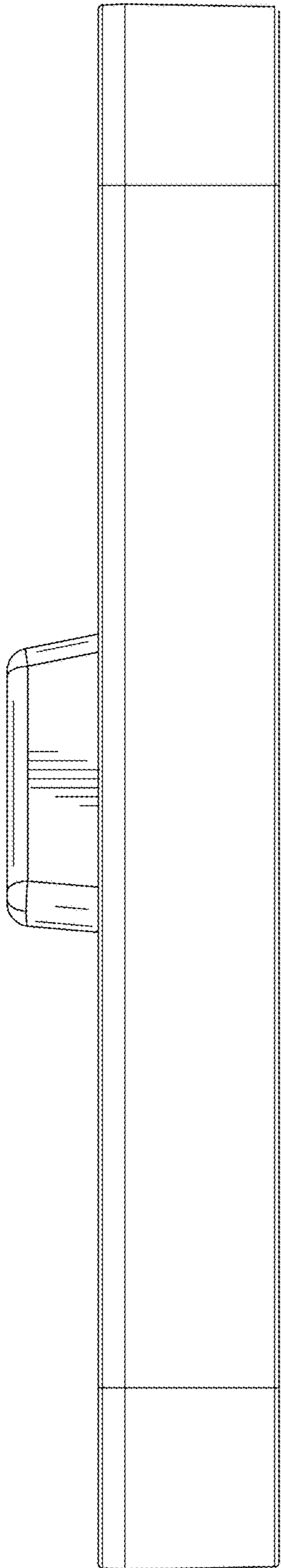


FIG. 7

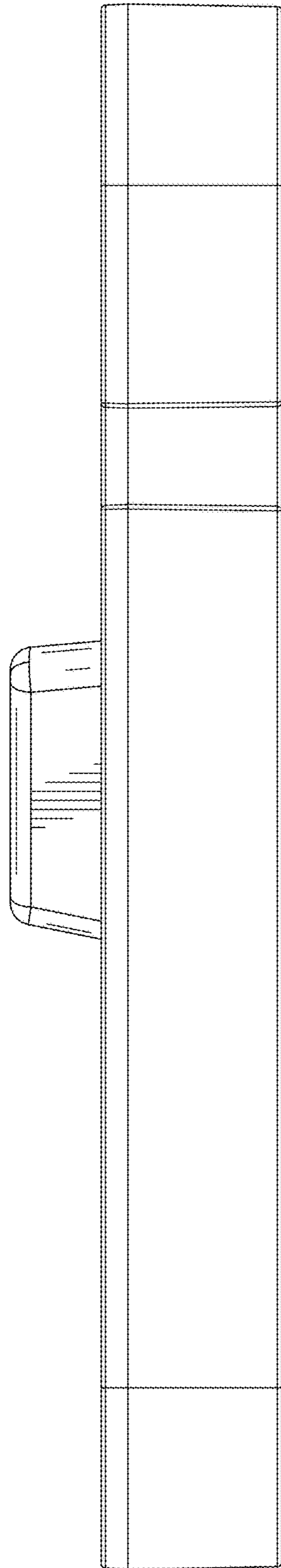


FIG. 8