

US00D823396S

(12) **United States Design Patent**  
**Goslin et al.**

(10) **Patent No.:** **US D823,396 S**  
(45) **Date of Patent:** **\*\* Jul. 17, 2018**

(54) **POWER ACTIVATOR**

(71) Applicant: **Disney Enterprises, Inc.**, Burbank, CA (US)

(72) Inventors: **Michael Paul Goslin**, Sherman Oaks, CA (US); **Katherine M. Bassett**, Pasadena, CA (US); **John Peter Fiscella**, Valencia, CA (US); **James K. Stobar**, Los Angeles, CA (US); **Joseph Logan Olson**, Eagle Rock, CA (US); **Paulo Kang**, Burbank, CA (US); **Philippe Putzeys**, Los Angeles, CA (US)

(73) Assignee: **Disney Enterprises, Inc.**, Burbank, CA (US)

(\*\*) Term: **15 Years**

(21) Appl. No.: **29/540,344**

(22) Filed: **Sep. 23, 2015**

(51) **LOC (11) Cl.** ..... **21-01**

(52) **U.S. Cl.**  
USPC ..... **D21/333**

(58) **Field of Classification Search**  
USPC ..... D21/325, 326, 333, 483, 513, 566;  
D13/108, 110, 118; D14/356, 357, 358,  
D14/432, 433, 434  
CPC ..... A63F 13/23; A63F 13/25; A63F 13/211;  
A63F 13/216; A63F 13/219; A63F  
13/355; A63F 2300/1062; A63H 3/16;  
A63H 2200/00; G06F 3/011; G06F 3/16;  
G06F 3/03548

See application file for complete search history.

(56) **References Cited**

**U.S. PATENT DOCUMENTS**

6,290,565 B1 \* 9/2001 Galyean, III ..... A63H 3/16  
273/148 B

D546,904 S \* 7/2007 Bowen ..... D21/566  
D608,289 S \* 1/2010 Henderson ..... D13/147  
D713,466 S \* 9/2014 Otero ..... D21/324  
D729,803 S \* 5/2015 Avery ..... D14/401  
D742,972 S \* 11/2015 Corrigan ..... D21/324  
2004/0222963 A1 \* 11/2004 Guo ..... G06F 3/0202  
345/156  
2016/0325180 A1 \* 11/2016 Nelson ..... A63F 13/355  
3/355

\* cited by examiner

*Primary Examiner* — Derrick Holland

(74) *Attorney, Agent, or Firm* — Patterson + Sheridan, LLP

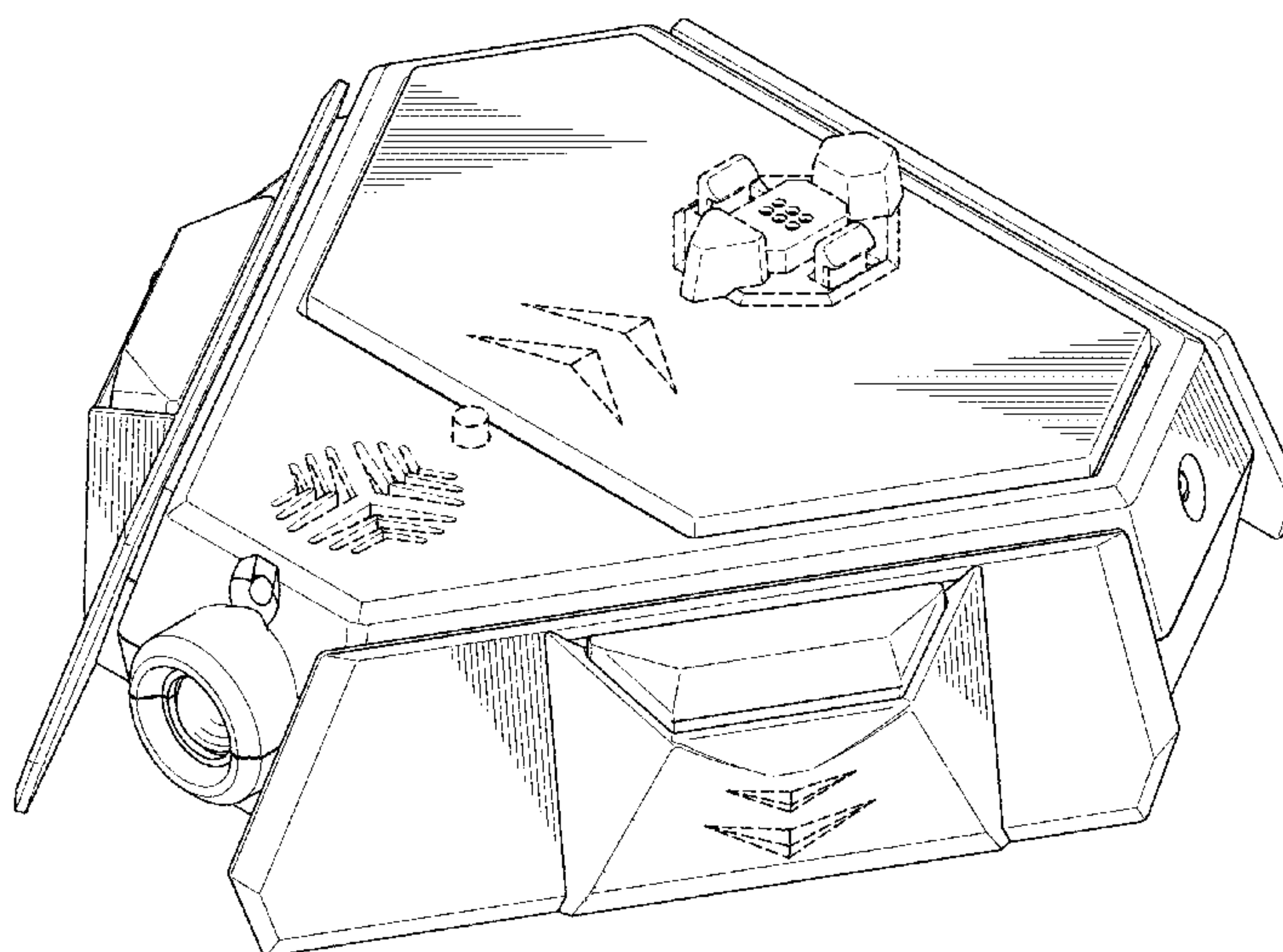
(57) **CLAIM**

The ornamental design for a power activator, as shown and described.

**DESCRIPTION**

FIG. 1 is a top front perspective view of a power activator showing our new design;  
FIG. 2 is a bottom rear perspective view thereof;  
FIG. 3 is another top front perspective view thereof;  
FIG. 4 is another bottom rear perspective view thereof;  
FIG. 5 a front elevational view thereof;  
FIG. 6 is a right side elevational view thereof;  
FIG. 7 is a rear elevational view thereof;  
FIG. 8 is a left side elevational view thereof;  
FIG. 9 is another side elevational view thereof;  
FIG. 10 is a top plan view thereof; and,  
FIG. 11 is a bottom plan view thereof.  
The broken lines shown represent the portions of the power activator that form no part of the claimed design.

**1 Claim, 11 Drawing Sheets**



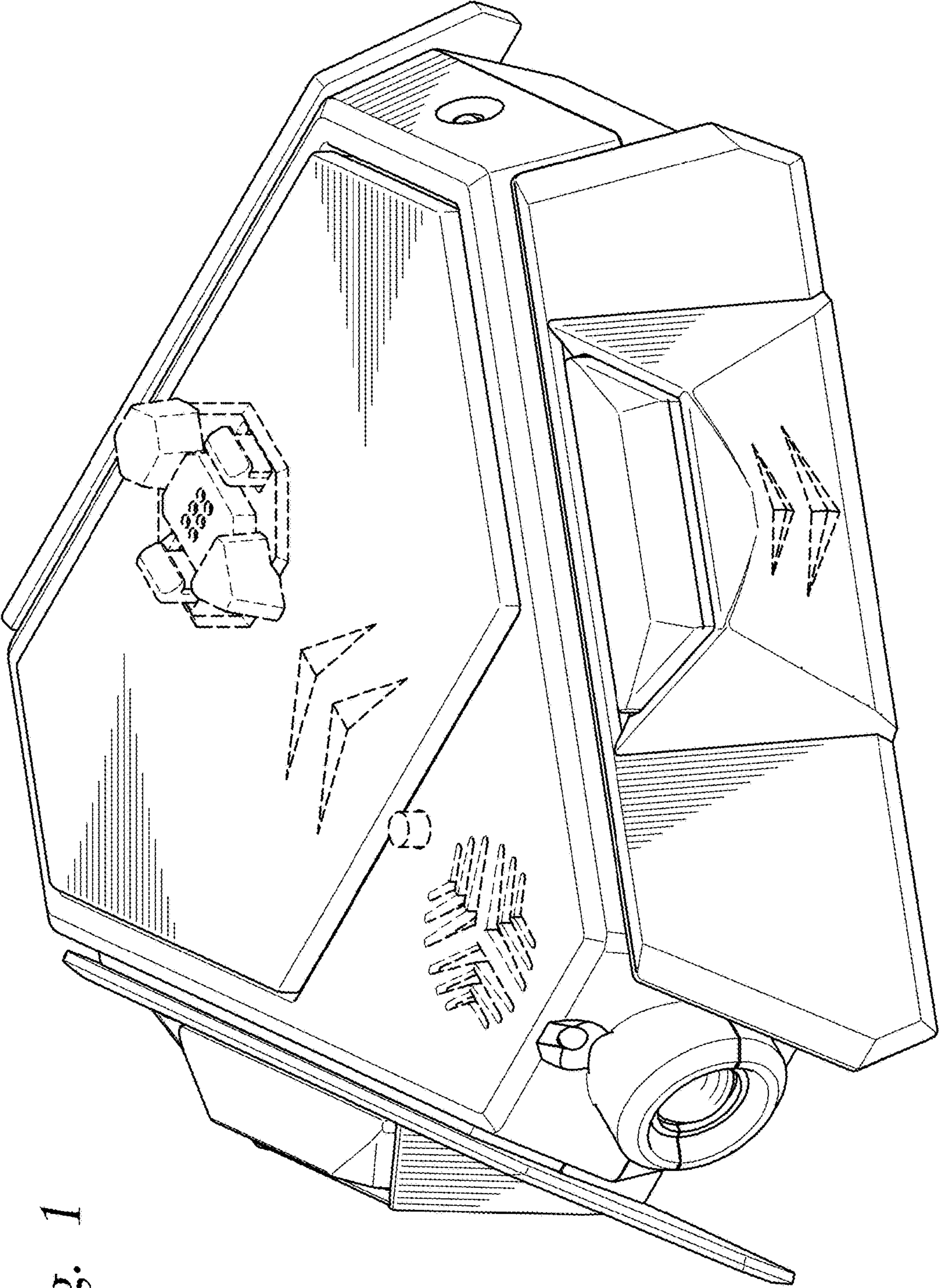


Fig. 1



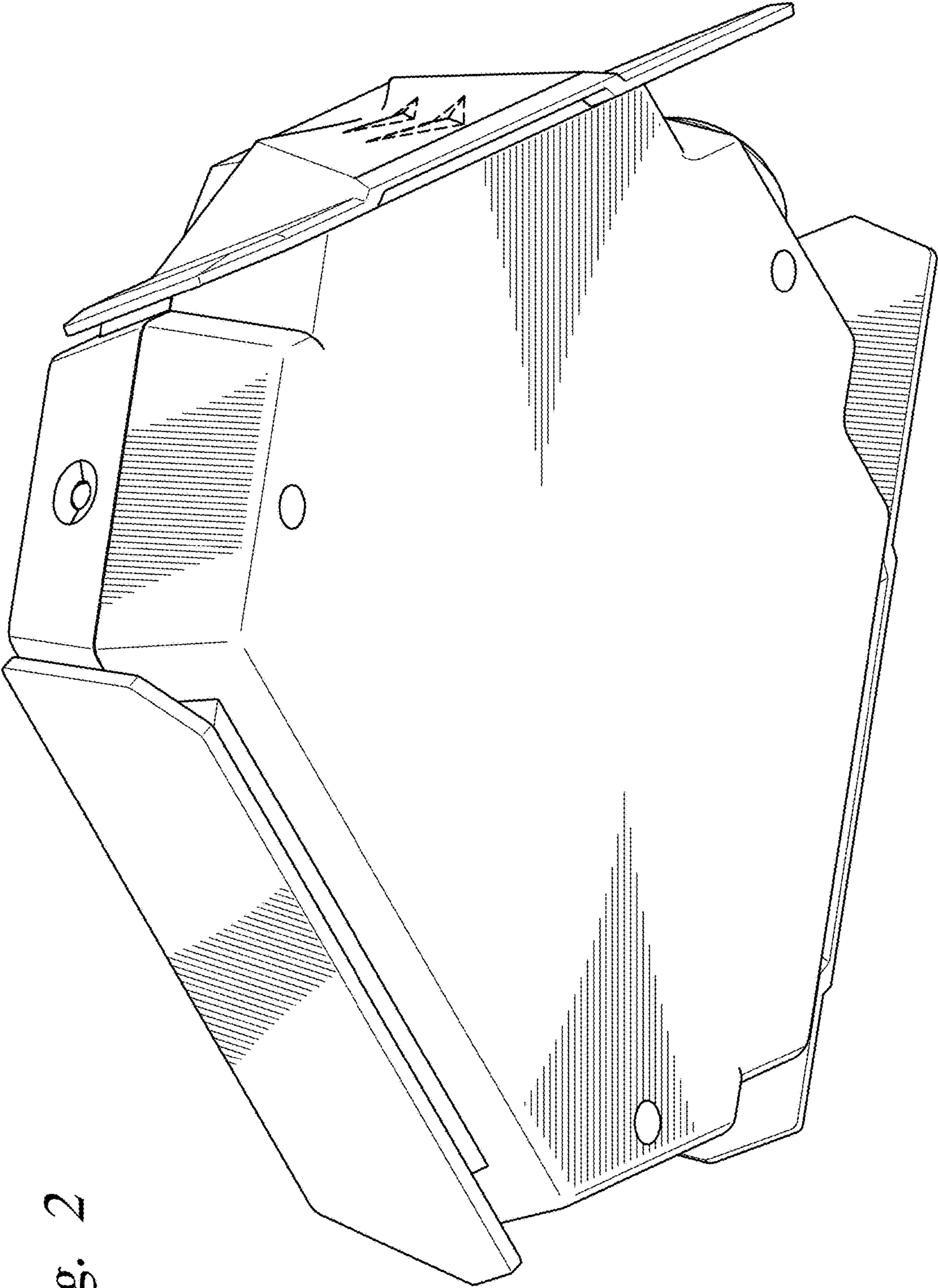


Fig. 2

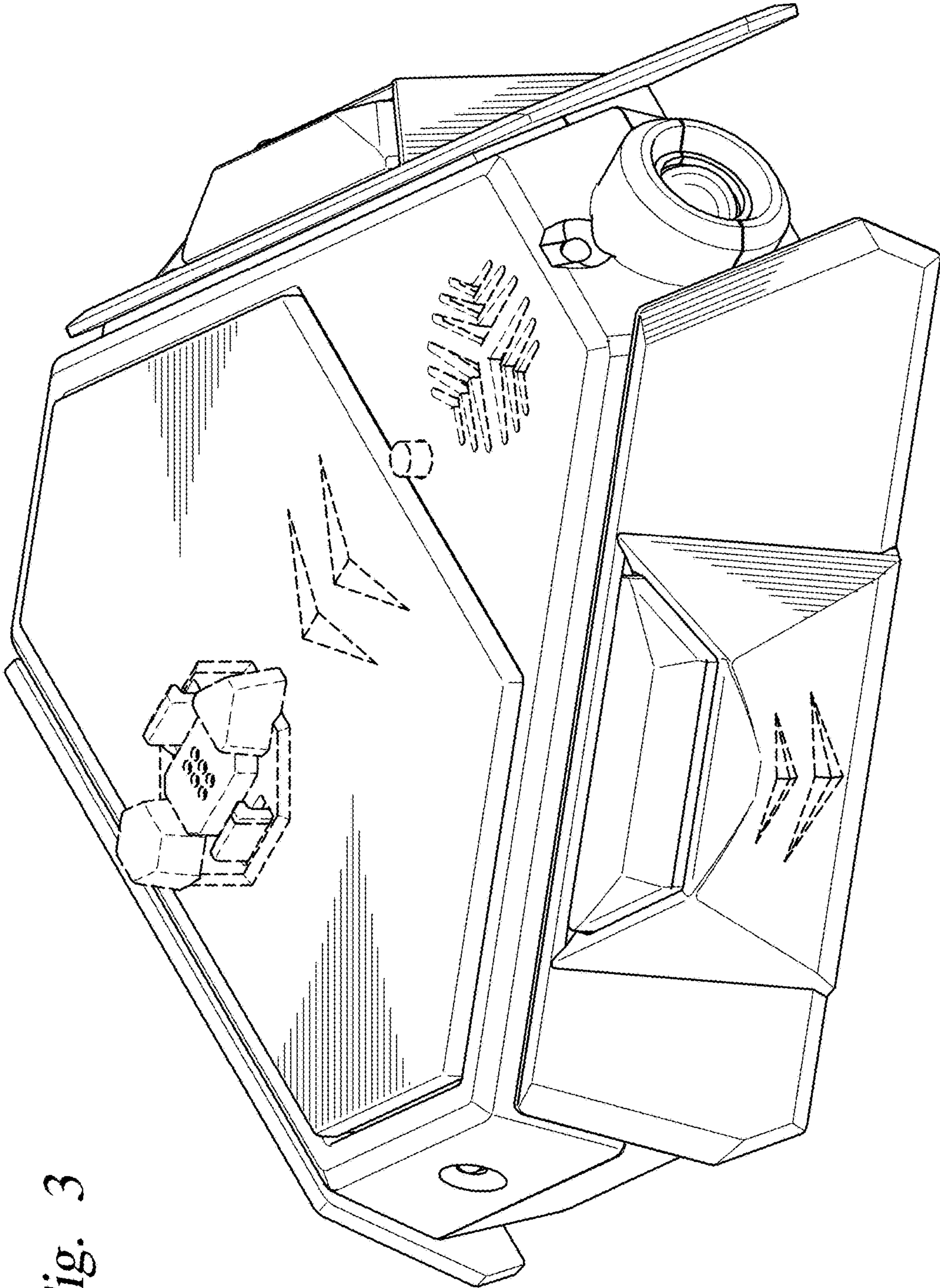


Fig. 3

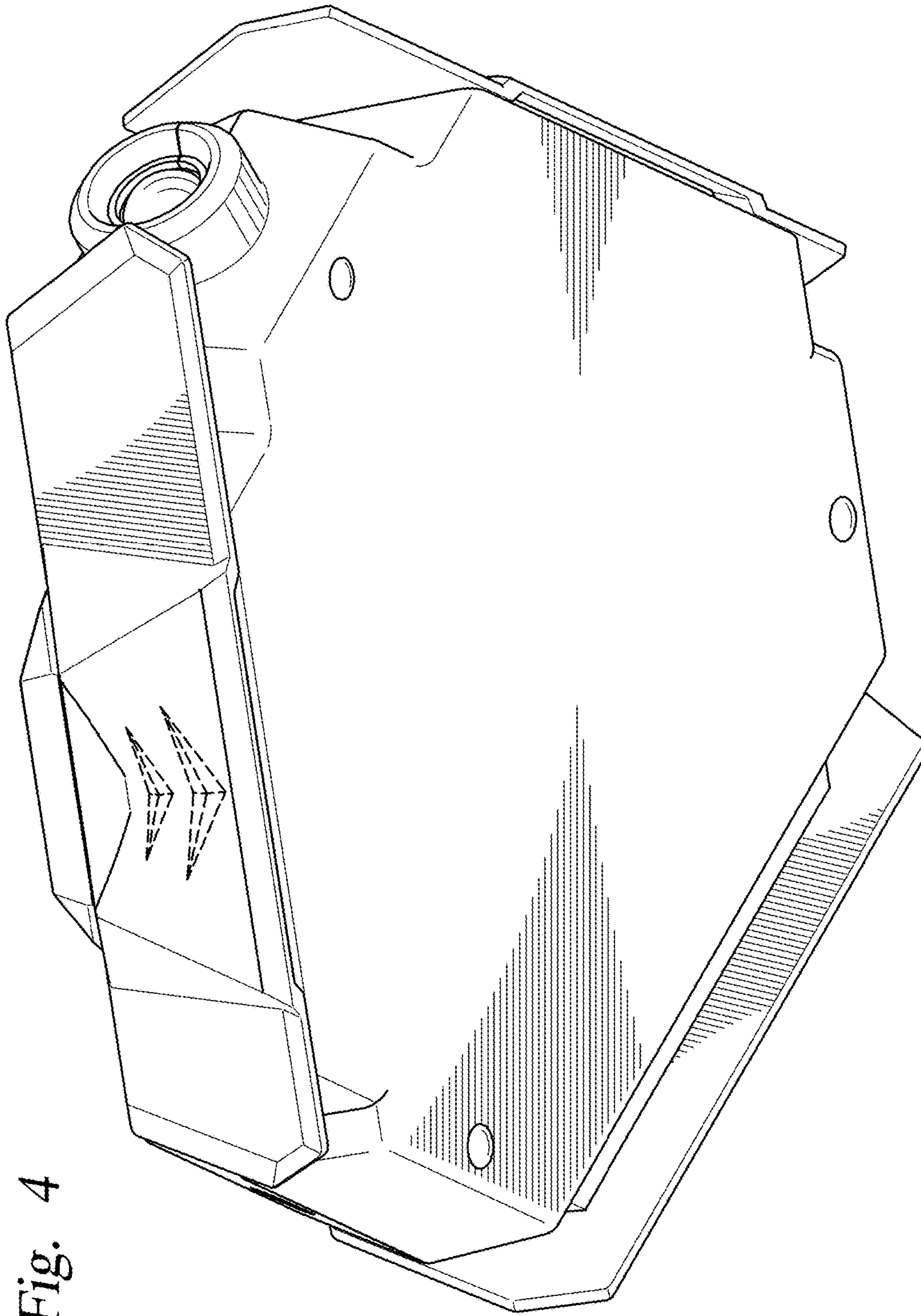


Fig. 4



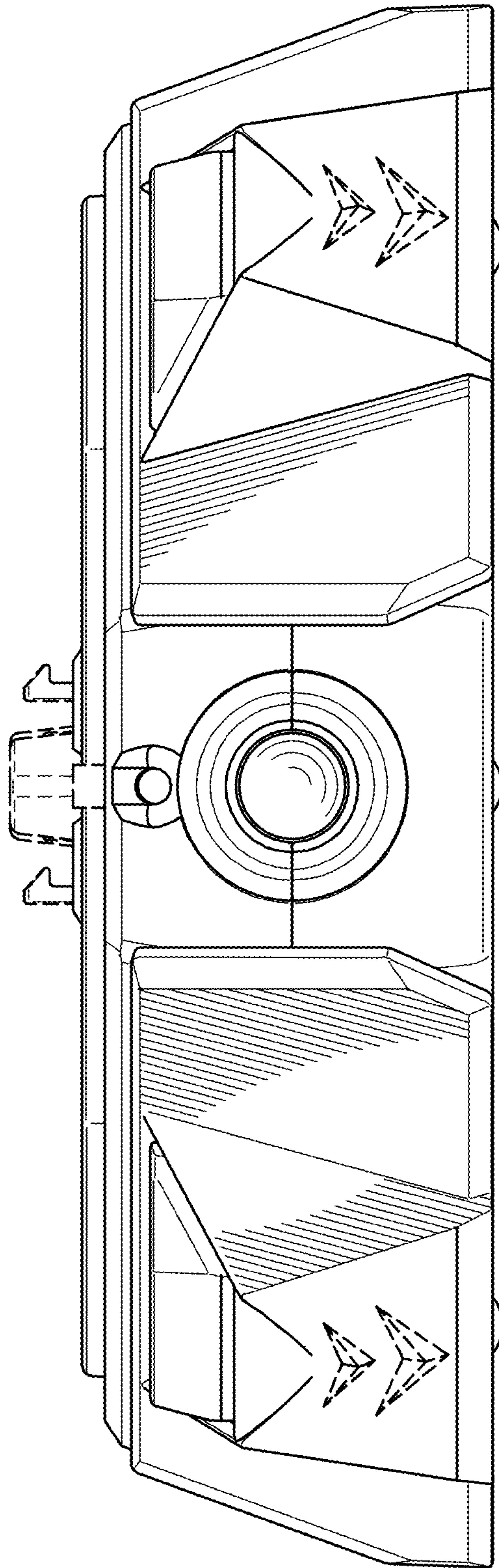


Fig. 5

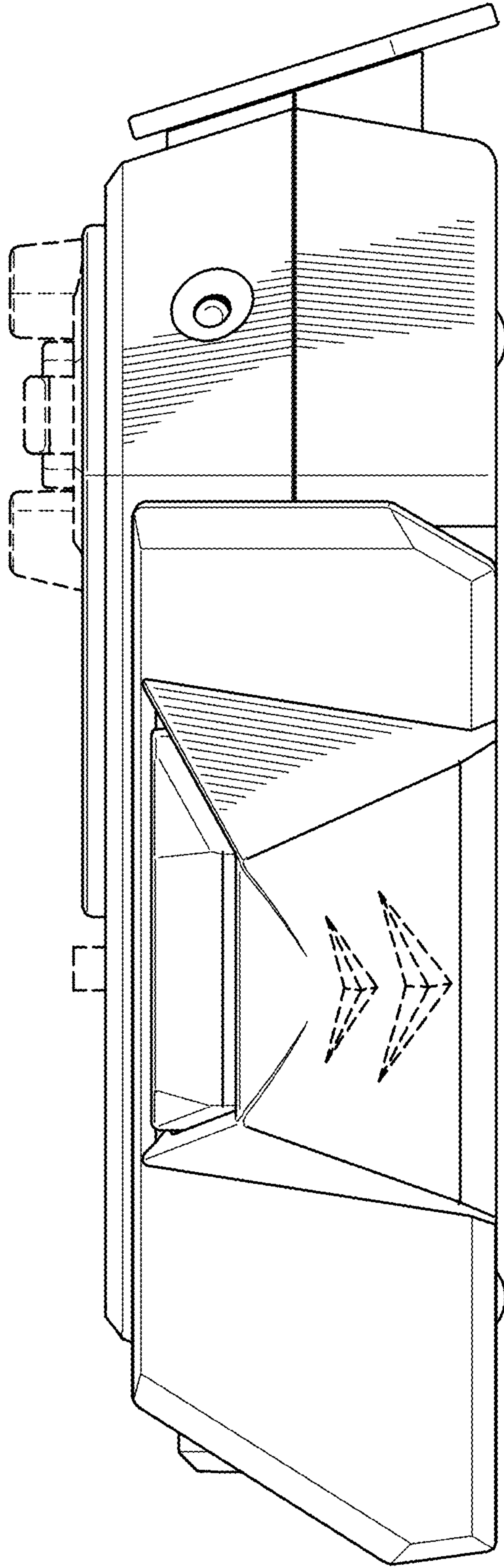


Fig. 6

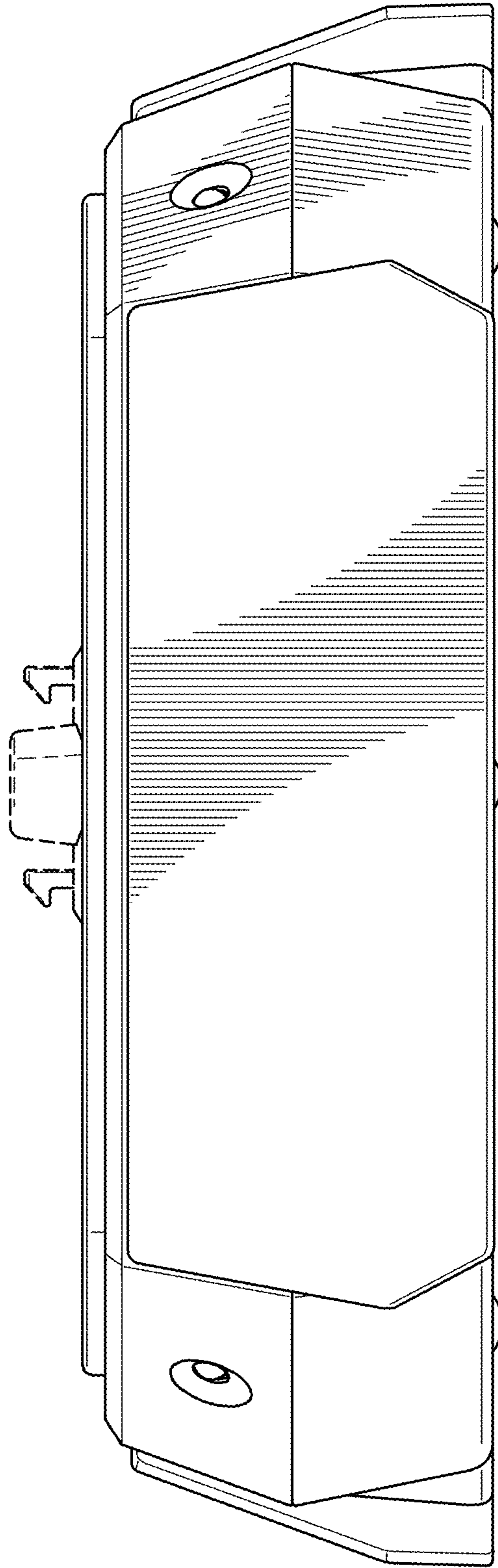


Fig. 7



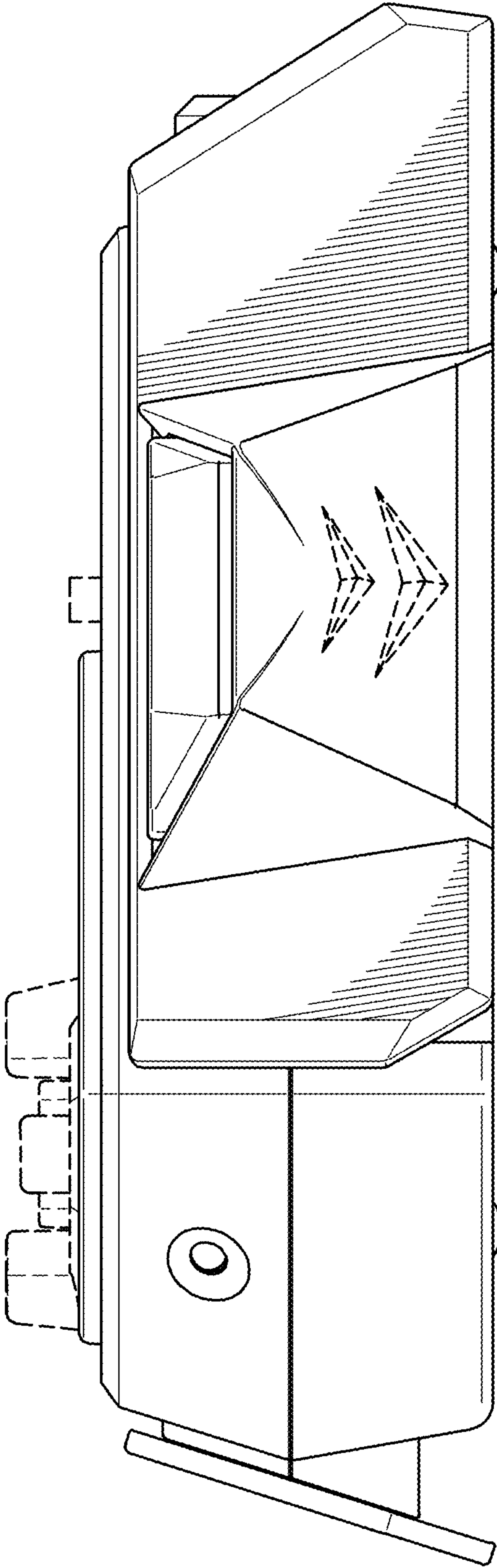


Fig. 8

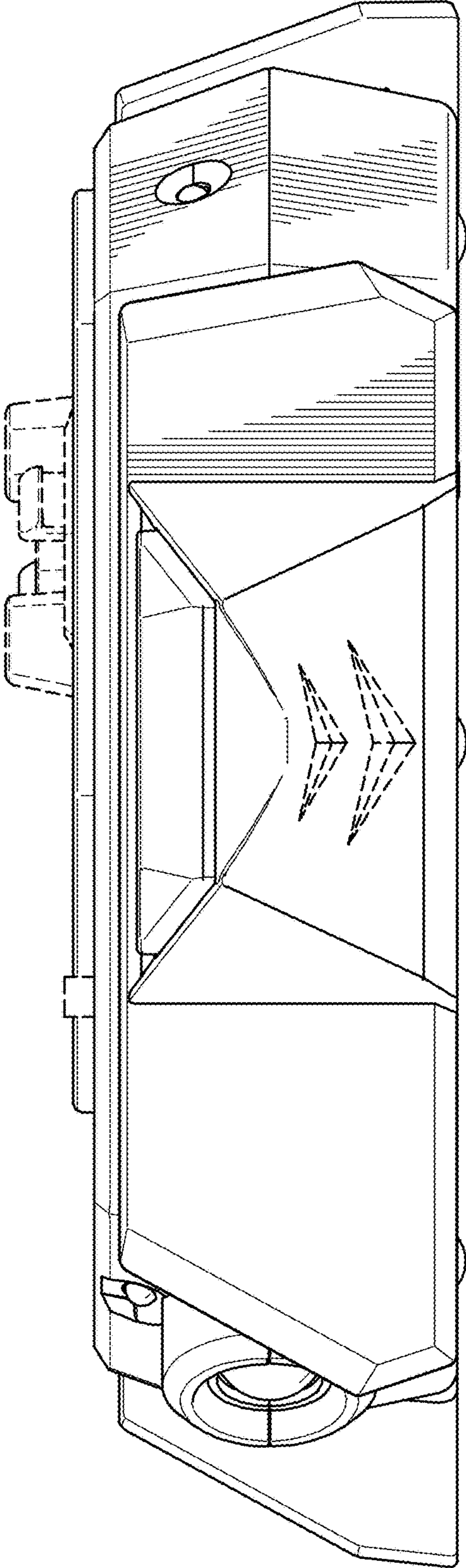


Fig. 9

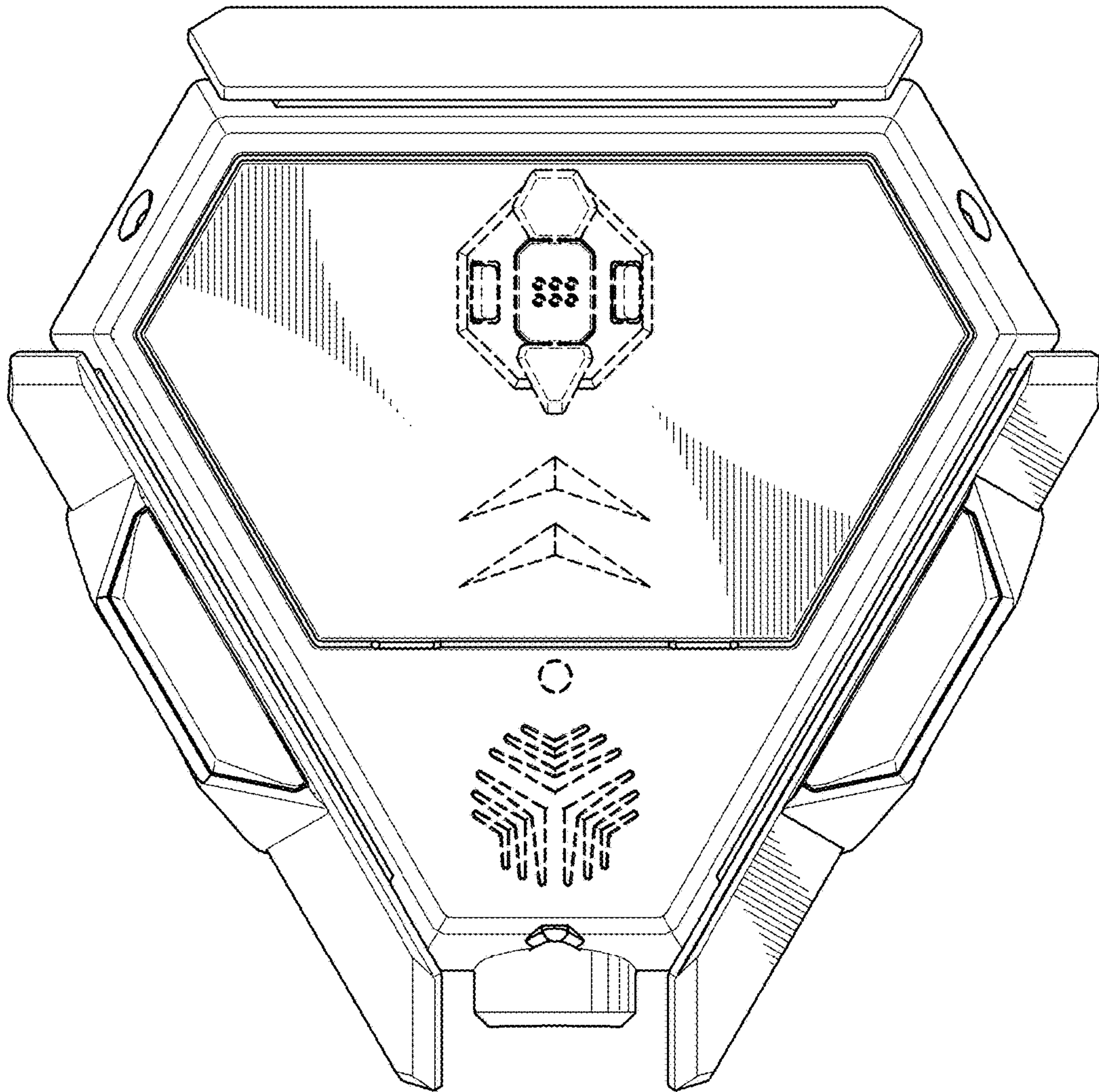
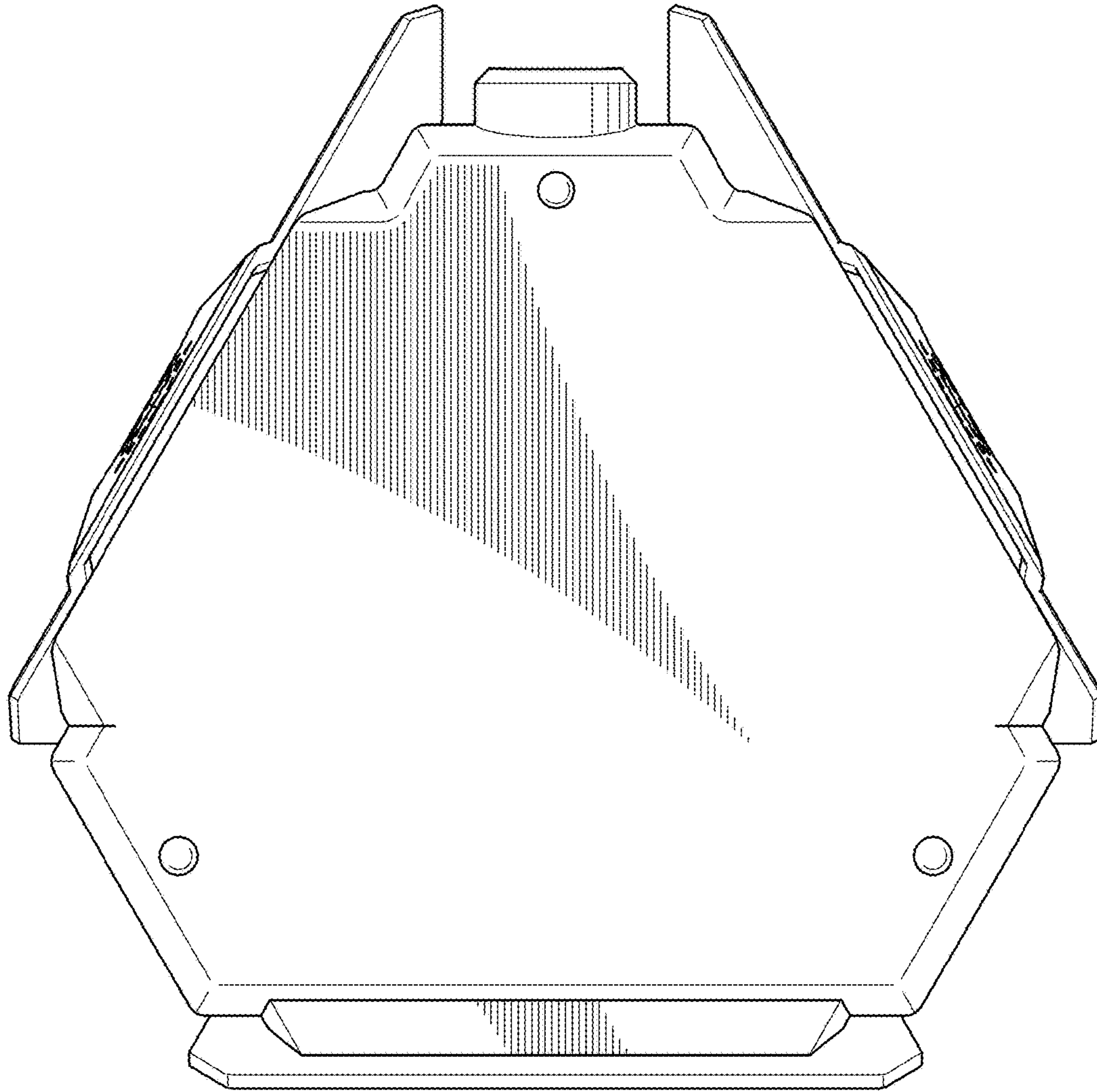


Fig. 10





*Fig. 11*